



US00D918172S

(12) **United States Design Patent**  
**Jaques et al.**

(10) **Patent No.:** **US D918,172 S**  
(45) **Date of Patent:** **\*\* May 4, 2021**

(54) **HEADSET**

(71) Applicant: **GN Audio A/S**, Ballerup (DK)

(72) Inventors: **David Jaques**, Durham, NH (US);  
**Thomas Terrien**, Portsmouth, NH (US);  
**Kevin Batson**, Dover, NH (US);  
**Bill Blank**, Hampton, NH (US)

(73) Assignee: **GN AUDIO A/S**, Ballerup (DK)

(\*\*) Term: **15 Years**

(21) Appl. No.: **29/712,338**

(22) Filed: **Nov. 7, 2019**

**Related U.S. Application Data**

(62) Division of application No. 29/660,888, filed on Aug. 23, 2018, now Pat. No. Des. 880,448.

(51) **LOC (13) Cl.** ..... **14-01**

(52) **U.S. Cl.**  
USPC ..... **D14/206; D4/226**

(58) **Field of Classification Search**

USPC ..... D14/206, 205, 188, 192, 226, 138 R,  
D14/138 G, 137, 218, 472, 479, 142;  
D29/112; 2/209; 381/380, 381, 374;  
455/90.3, 575.1, 569.1

CPC ..... H04R 25/00; H04R 19/04; H04R 1/08;  
H04R 25/02; H04R 1/1016; H04R  
1/1066; H04R 5/033; H04R 5/0335

See application file for complete search history.

(56) **References Cited**

**U.S. PATENT DOCUMENTS**

4,175,217 A 11/1979 Williams  
D299,337 S 1/1989 Wiegel  
4,882,745 A 11/1989 Silver  
D305,759 S 1/1990 Balbuena  
4,930,148 A 5/1990 Lee  
D309,890 S \* 8/1990 Cheng ..... D13/165

5,003,589 A 3/1991 Chen  
5,055,312 A 10/1991 Hildebrand  
5,113,428 A \* 5/1992 Fitzgerald ..... H04B 1/385  
379/430  
D327,888 S 7/1992 Fitzgerald  
D330,522 S \* 10/1992 Mokhtarian ..... D10/104.1  
D333,305 S 2/1993 West  
D337,116 S 7/1993 Hattori  
D342,947 S 1/1994 Totsuka  
D344,730 S 3/1994 Gattey  
D346,380 S 4/1994 Fitzgerald  
(Continued)

**FOREIGN PATENT DOCUMENTS**

CA 98026 \* 12/2002  
KR 300677721.0000 1/2013

*Primary Examiner* — Paula Allen Greene

(74) *Attorney, Agent, or Firm* — Hamre, Schumann,  
Mueller & Larson, P.C.

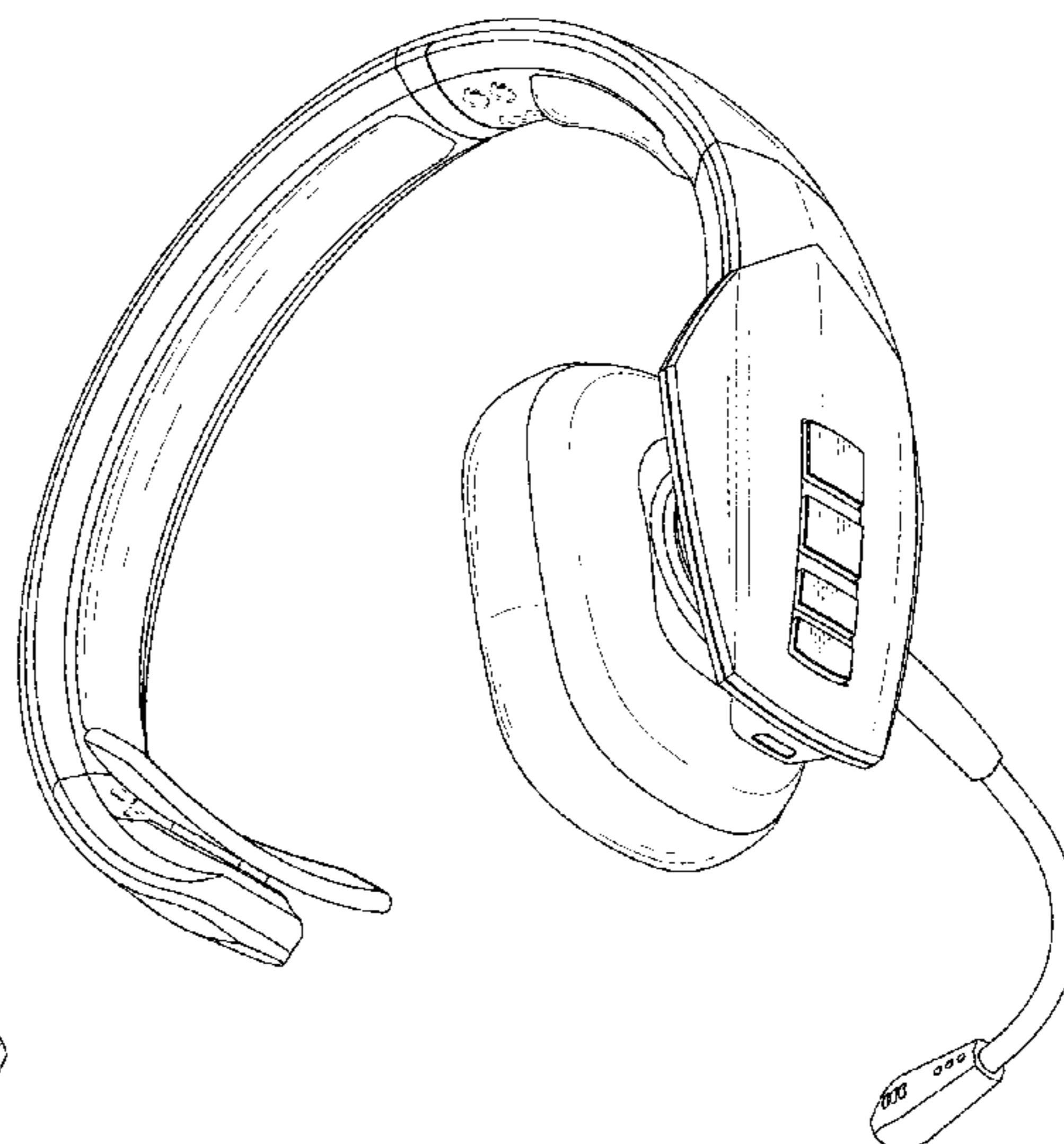
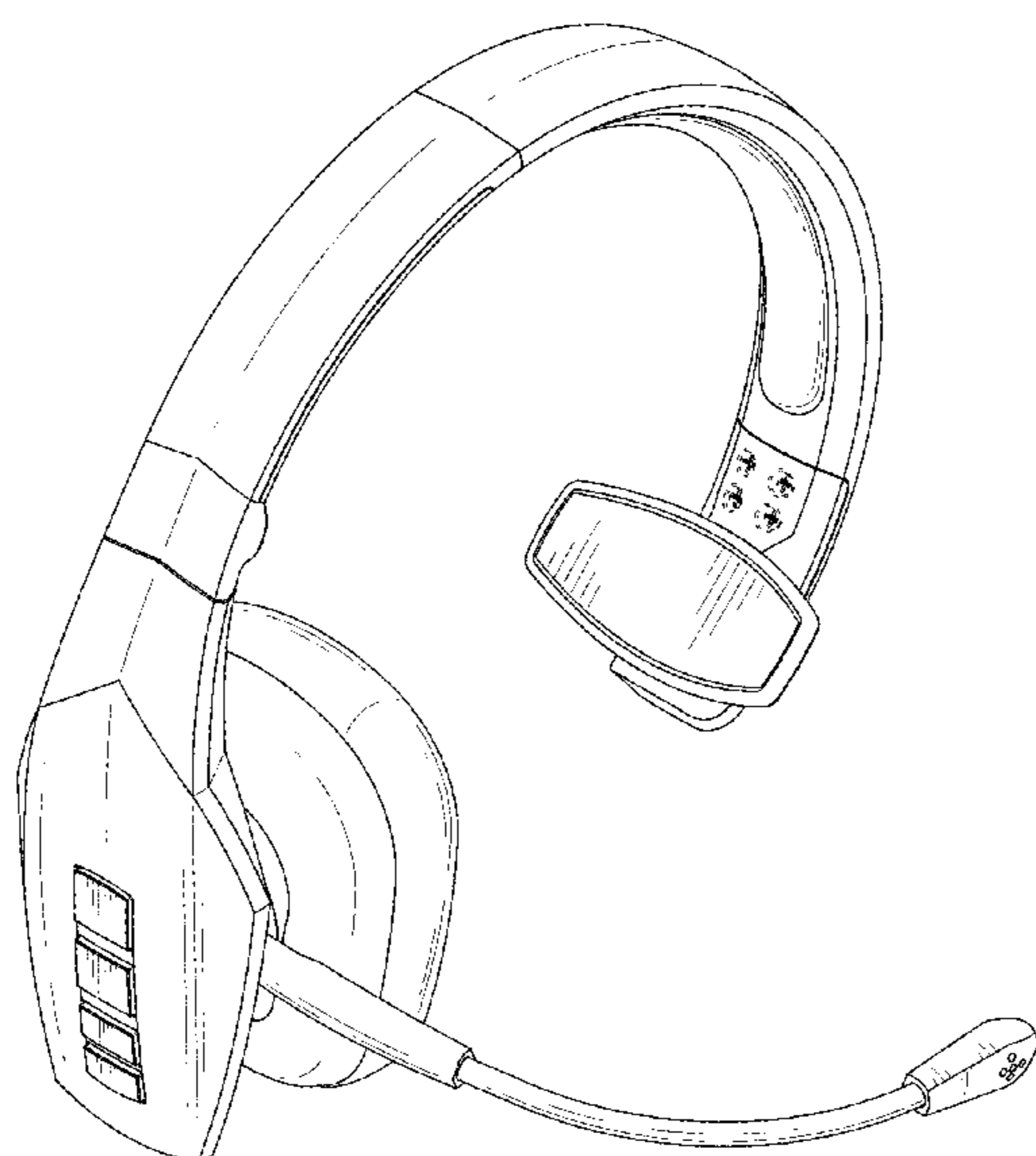
(57) **CLAIM**

The ornamental design for a headset, as shown and described.

**DESCRIPTION**

FIG. 1 is a top front isometric view of the headset;  
FIG. 2 is a bottom rear isometric view of FIG. 1 thereof;  
FIG. 3 is a front view of FIG. 1 thereof;  
FIG. 4 is a rear view of FIG. 1 thereof;  
FIG. 5 is a left side view of FIG. 1 thereof;  
FIG. 6 is a right side view of FIG. 1 thereof;  
FIG. 7 is a top view of FIG. 1 thereof; and,  
FIG. 8 is a bottom view of FIG. 1 thereof.  
Broken lines in the drawings are included for the purpose of illustrating an environment and form no part of the claimed design. Boundary lines indicate that nothing within the boundary are to be considered part of the claim. The broken lines depict an environment that forms no part of the claimed design.

**1 Claim, 8 Drawing Sheets**



(56)

References Cited

U.S. PATENT DOCUMENTS

D352,036 S	11/1994	Sekita		D539,789 S	4/2007	Rausch	
D364,617 S	11/1995	Fitzgerald		D540,303 S	4/2007	Rausch	
D369,167 S	4/1996	Hanson		D540,313 S	4/2007	Rausch	
5,721,775 A	2/1998	Leifer		D540,778 S *	4/2007	Thompson	..... D14/206
D394,058 S	5/1998	Fitzgerald		7,391,863 B2	6/2008	Viduya	
D394,436 S	5/1998	Hall		D587,684 S	3/2009	Ham	
D402,575 S *	12/1998	Jones	..... D10/106.1	7,519,196 B2	4/2009	Bech	
D405,786 S	2/1999	Leifer		D602,002 S	10/2009	Asai	
D429,229 S	8/2000	Fitzgerald		D617,781 S	6/2010	Kailas	
6,154,539 A	11/2000	Pitel		D638,000 S	5/2011	Hoggarth	
D441,734 S	5/2001	Fitzgerald		D638,397 S	5/2011	McManigal	
D449,290 S	10/2001	Taylor		D654,471 S	2/2012	Fischer	
D456,379 S	4/2002	Fitzgerald		8,181,607 B2 *	5/2012	Kim	..... A01K 15/021 119/720
D491,917 S	6/2004	Asai		D667,814 S	9/2012	Abell	
6,754,361 B1	6/2004	Hall		D691,110 S	10/2013	Ham	
D497,357 S	10/2004	Allum		D712,875 S	9/2014	Katori	
D502,908 S	3/2005	Mahachanh		D747,557 S	1/2016	Bonney	
D504,419 S	4/2005	Bey		9,398,361 B1	7/2016	Jaques	
D504,887 S	5/2005	Skulley		9,429,958 B2	8/2016	Asai	
D505,413 S	5/2005	Skulley		D786,826 S	5/2017	Esses	
6,952,481 B2	10/2005	Larsen		D824,362 S	7/2018	Probst	
6,965,681 B2	11/2005	Almqvist		D847,781 S	5/2019	Chen	
D515,954 S *	2/2006	Crosby	..... D10/104.1	D851,628 S	6/2019	Inernblad	
D517,528 S	3/2006	Skulley		D851,629 S	6/2019	Summerson	
D518,479 S	4/2006	Skulley		D868,607 S *	12/2019	Li	..... D10/104.1
7,031,475 B2	4/2006	Kuraoka		D880,448 S *	4/2020	Jaques	..... D14/205
D519,990 S	5/2006	Lazor		D883,829 S *	5/2020	Nytko	..... D10/104.1
D529,900 S	10/2006	Skulley		D896,203 S *	9/2020	Tong	..... D14/206
D535,980 S	1/2007	Bentley		2002/0003889 A1	1/2002	Fischer	
D537,815 S	3/2007	Bentley		2005/0201569 A1	9/2005	Kuraoka	
D539,788 S	4/2007	Thompson		2012/0163616 A1	6/2012	Birch	
				2013/0329905 A1	12/2013	Awiszus	

\* cited by examiner

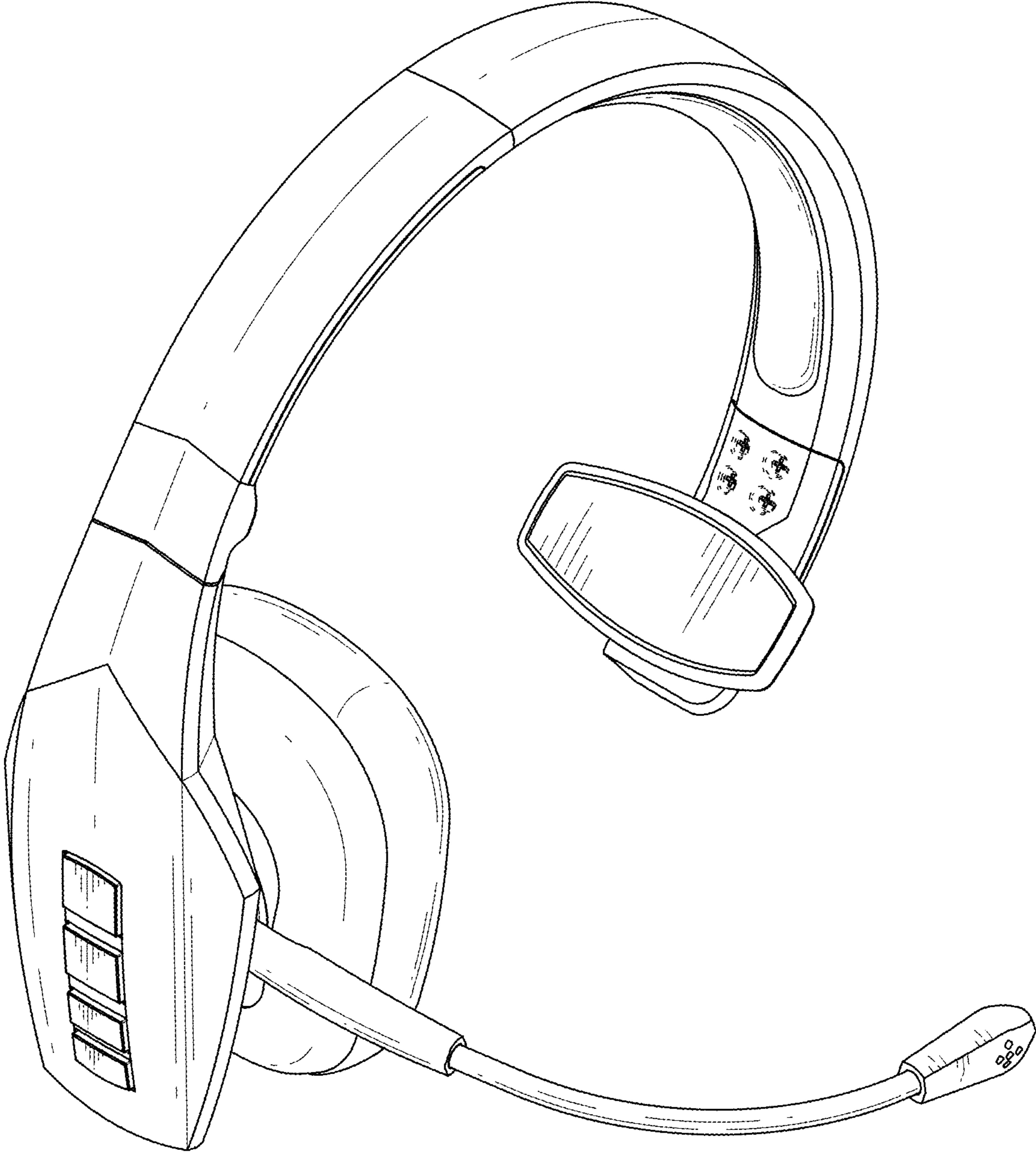


FIG. 1



FIG. 2

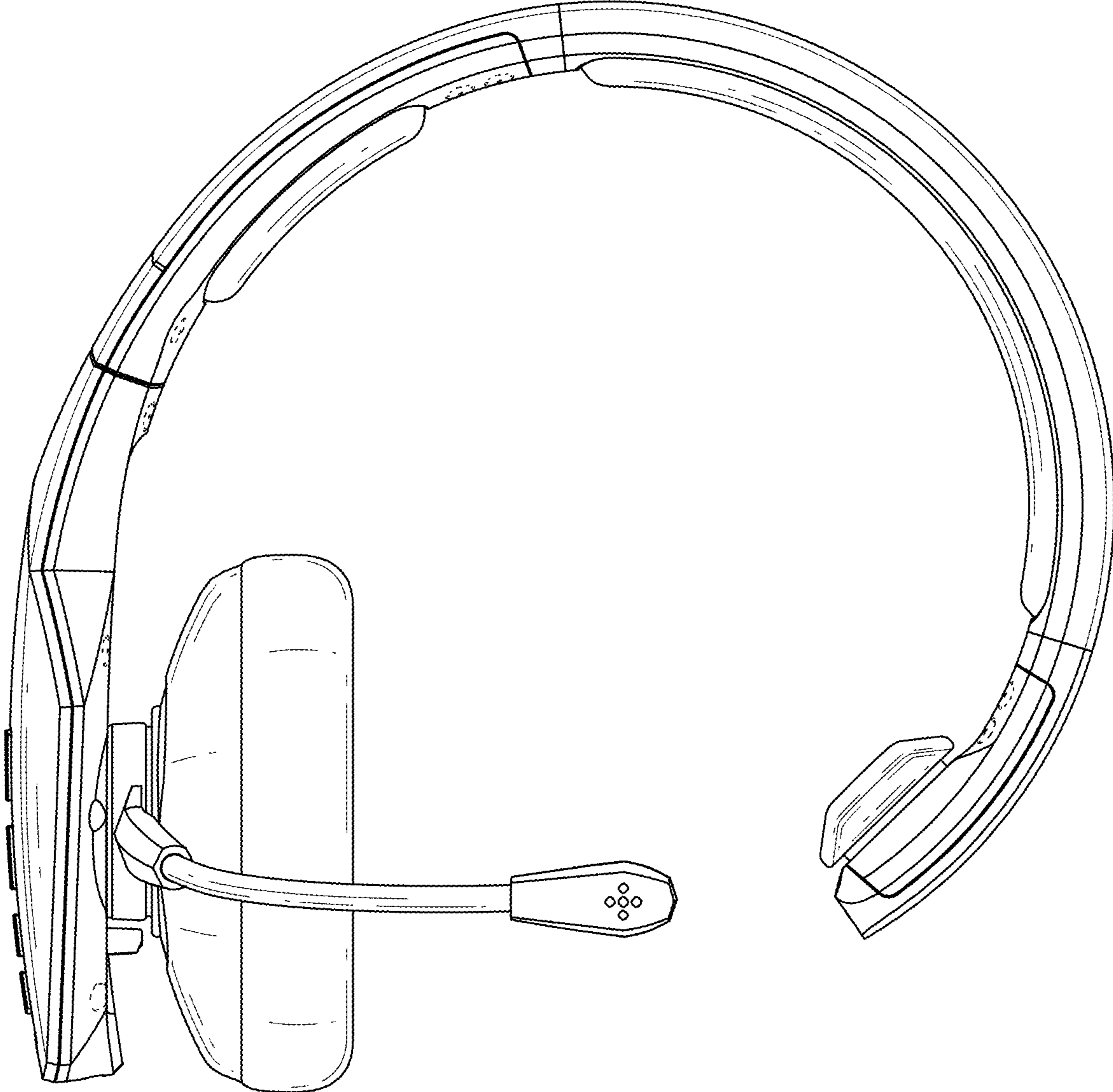


FIG. 3

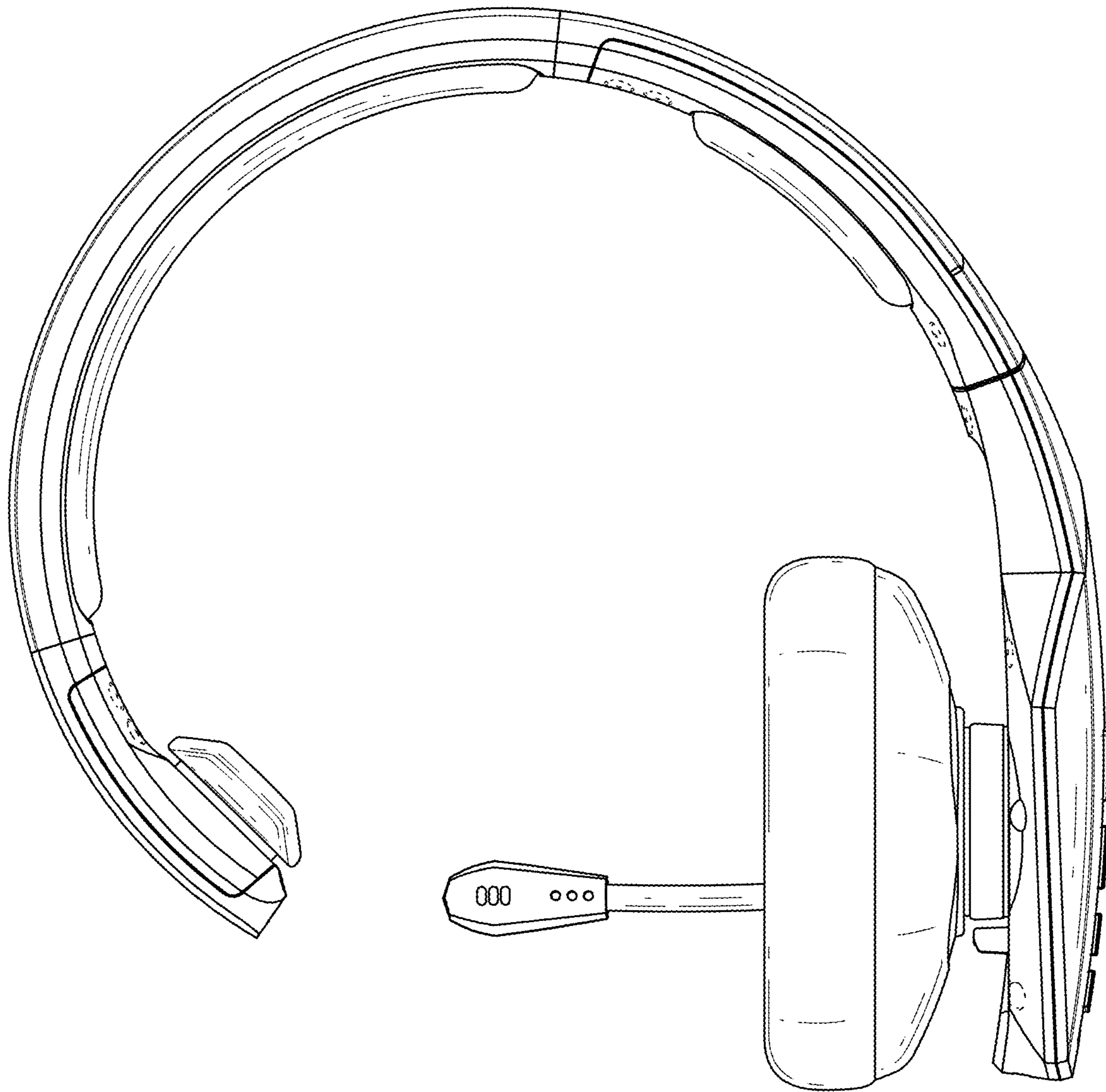


FIG. 4

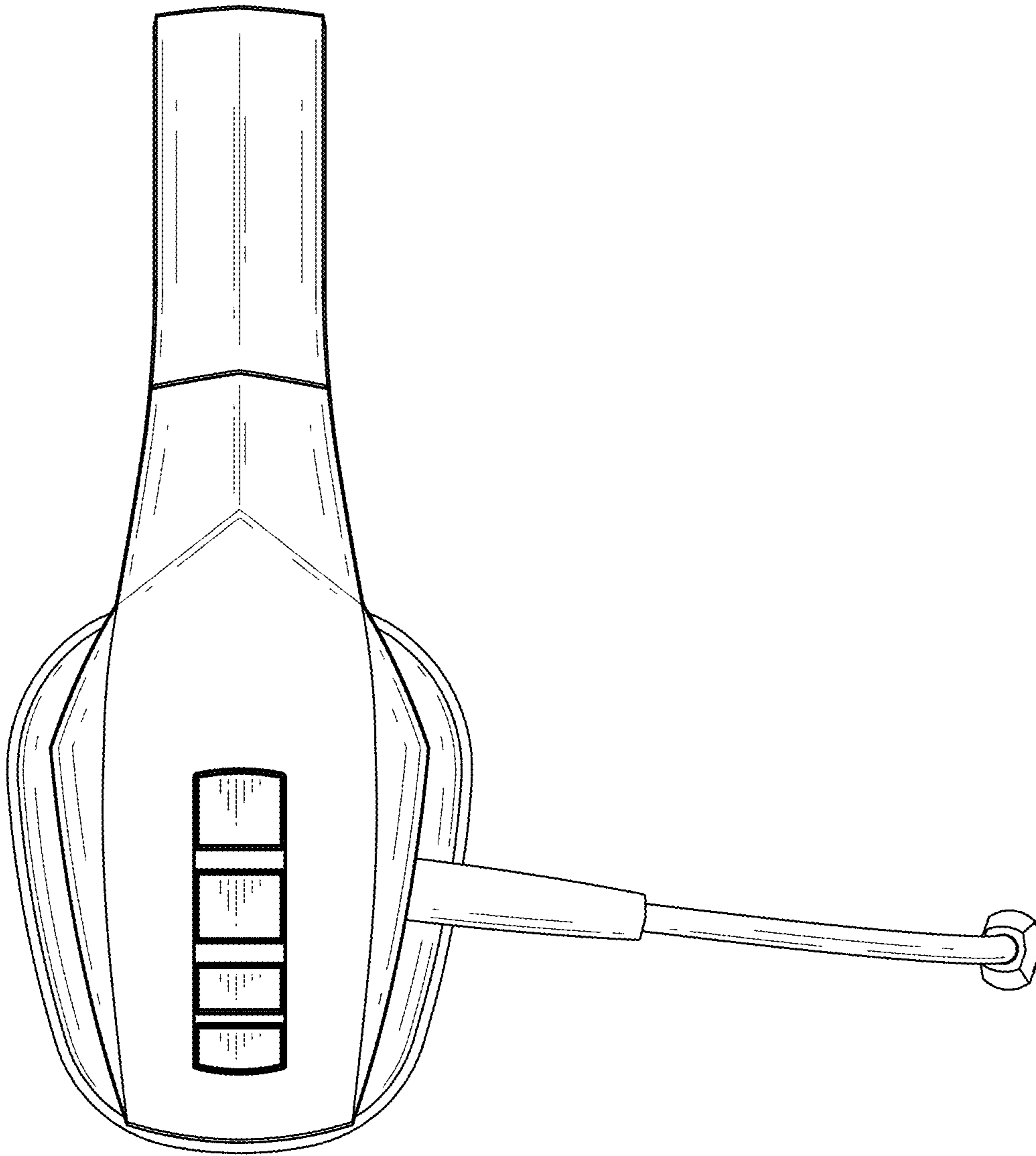


FIG. 5

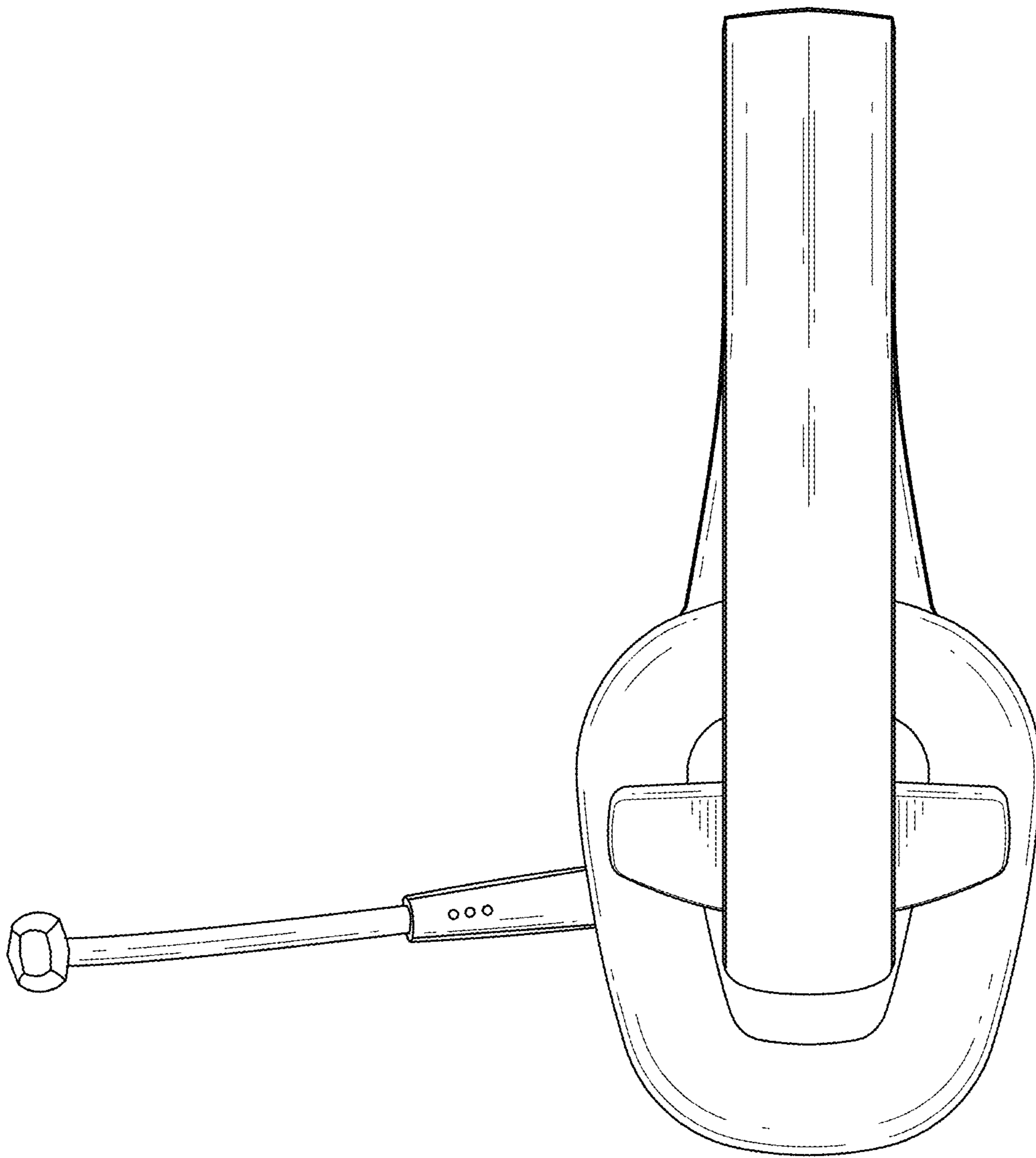


FIG. 6



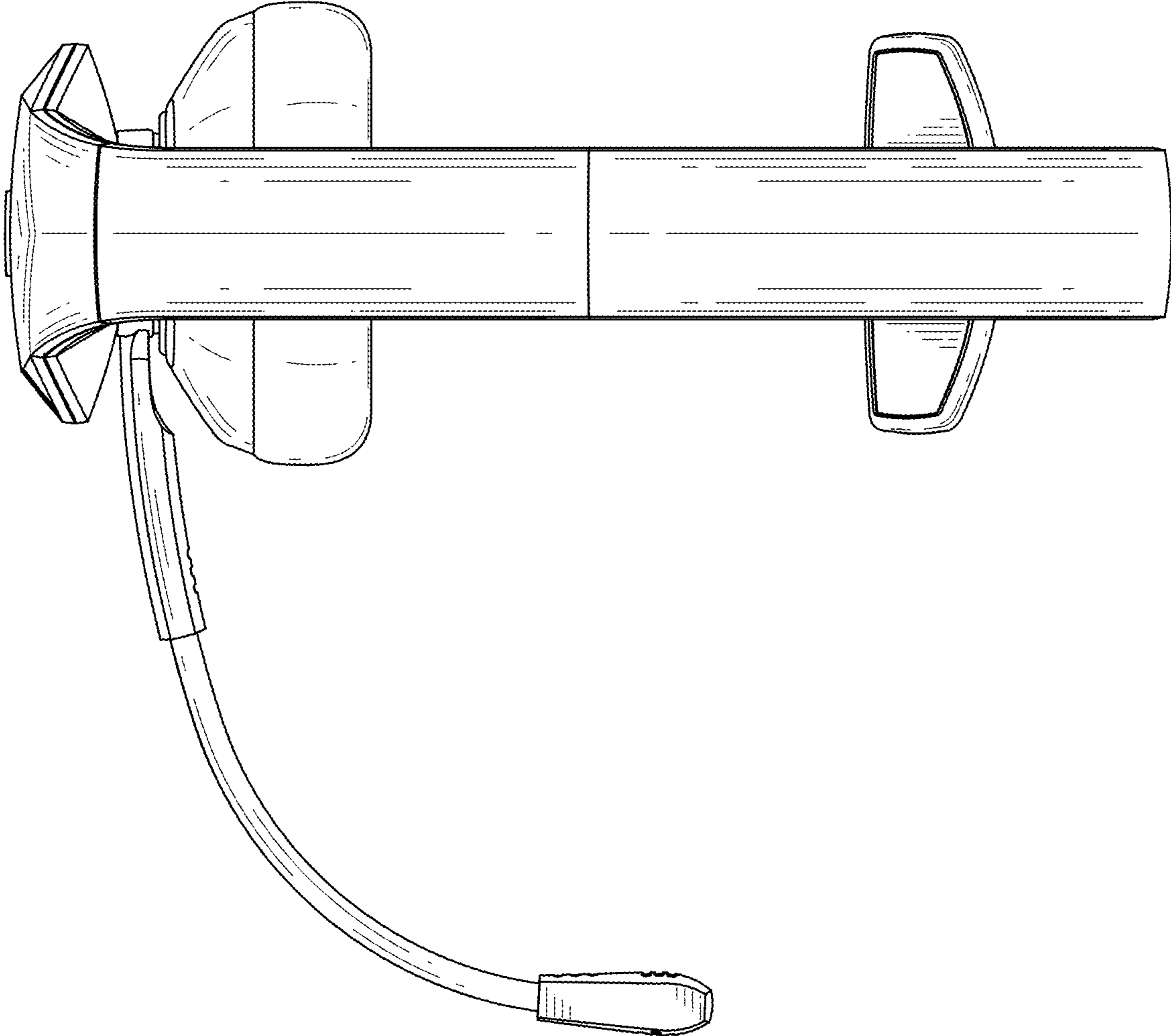


FIG. 7

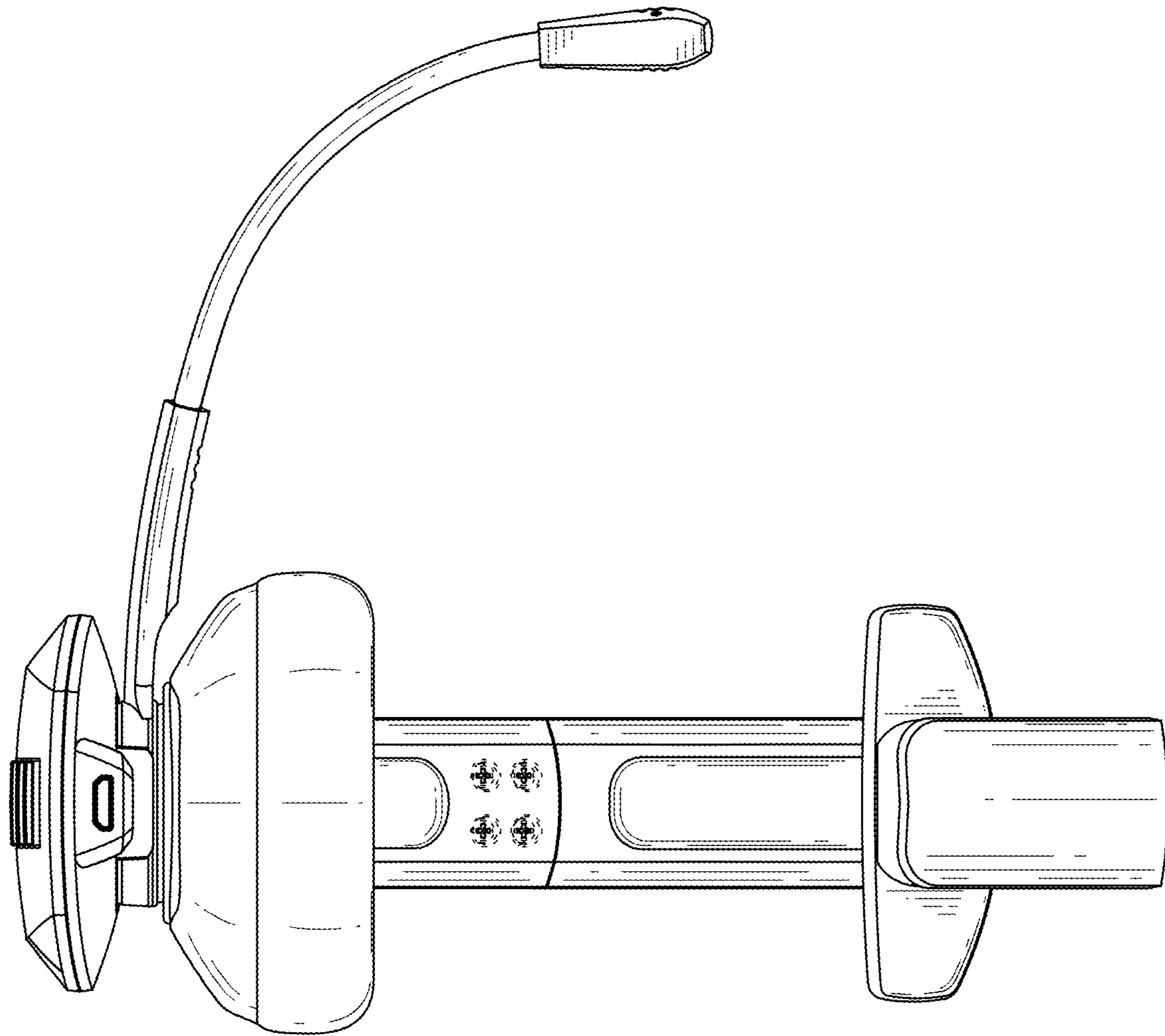


FIG. 8