



US00D918171S

(12) **United States Design Patent** (10) **Patent No.:** **US D918,171 S**
Nakayama et al. (45) **Date of Patent:** **** May 4, 2021**

(54) **HEADPHONE**

(71) Applicant: **SONY CORPORATION**, Tokyo (JP)

(72) Inventors: **Tamie Nakayama**, Tokyo (JP); **Pietro Russomanno**, Surrey (GB); **Lukas Fuchs**, Surrey (GB); **So Morimoto**, Surrey (GB)

(73) Assignee: **SONY CORPORATION**, Tokyo (JP)

(**) Term: **15 Years**

(21) Appl. No.: **29/752,965**

(22) Filed: **Sep. 29, 2020**

Related U.S. Application Data

(63) Continuation of application No. 29/693,973, filed on Jun. 6, 2019, now Pat. No. Des. 905,004, which is a continuation of application No. 29/589,769, filed on Jan. 4, 2017, now Pat. No. Des. 854,511, which is a continuation-in-part of application No. 29/543,835, filed on Oct. 28, 2015, now abandoned.

(30) **Foreign Application Priority Data**

Aug. 28, 2015 (CN) 201530329640.2
Aug. 19, 2016 (JP) D2016-017682
Aug. 30, 2016 (CN) 201630445722.8
Dec. 18, 2016 (CN) 201630652631.1

(51) **LOC (13) Cl.** **14-01**

(52) **U.S. Cl.**
USPC **D14/205**

(58) **Field of Classification Search**
USPC D14/205, 188, 192; D29/112; 381/380, 381/381, 374; 455/90.3, 575.1, 569.1
CPC H04R 25/00; H04R 1/1066; H04R 25/02; H04R 1/1016; H04R 5/033; H04R 5/0335; H04R 1/1083; H04R 1/1091
See application file for complete search history.

(56) **References Cited**

U.S. PATENT DOCUMENTS

D292,205 S 10/1987 Kikutani
5,018,599 A 5/1991 Dohi et al.
5,101,504 A 3/1992 Lenz
D328,074 S 7/1992 Yamazaki et al.
D328,461 S 8/1992 Daido et al.
5,185,807 A 2/1993 Bergin et al.
D336,646 S 6/1993 Yamazaki et al.
D337,115 S 7/1993 Yamazaki et al.
D353,817 S 12/1994 Wada
D457,512 S 5/2002 Yoneda

(Continued)

FOREIGN PATENT DOCUMENTS

CN 305724825 S 4/2020
CN 305724852 S 4/2020

(Continued)

Primary Examiner — Paula Allen Greene

(74) *Attorney, Agent, or Firm* — Michael Best and Friedrich LLP

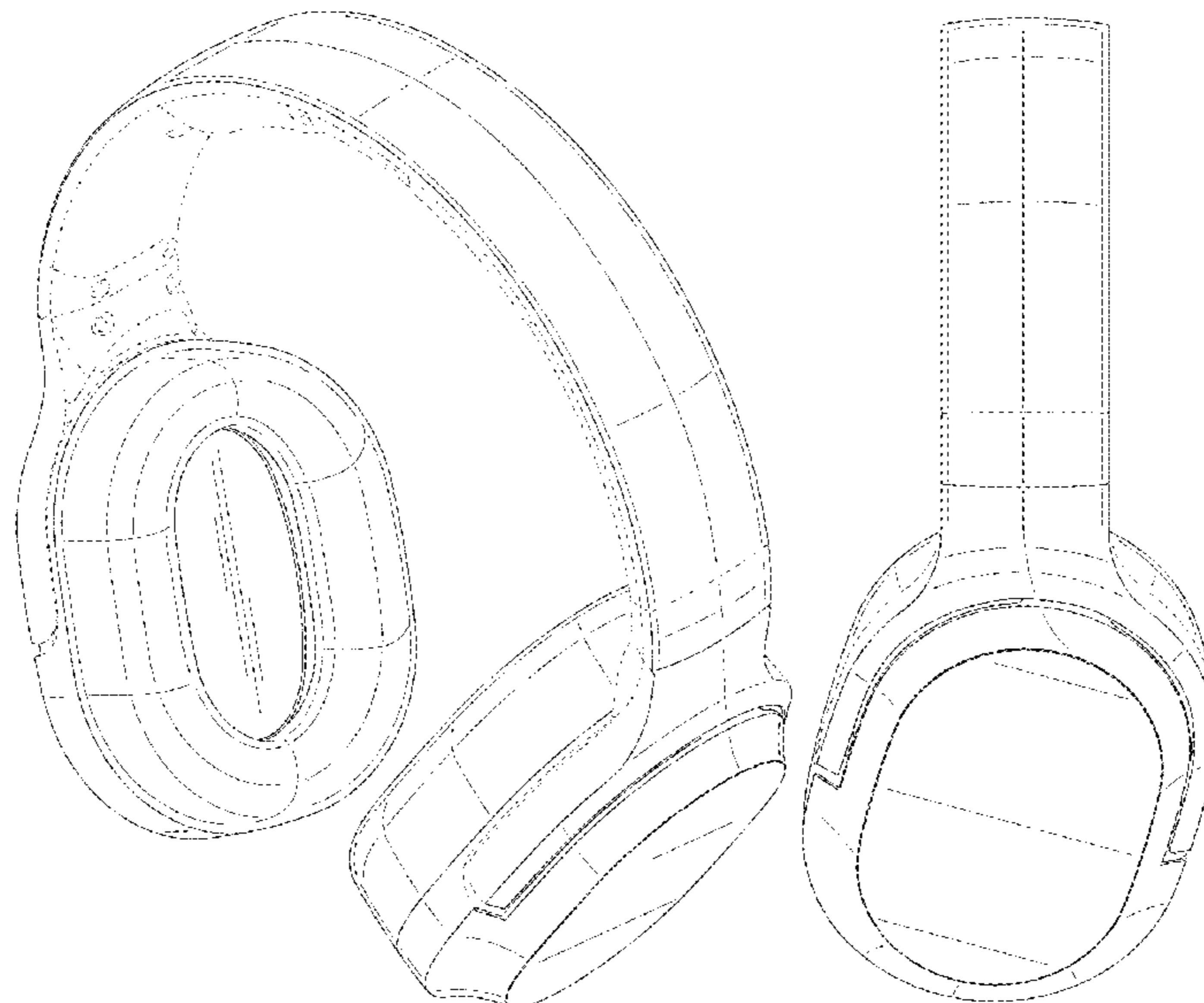
(57) **CLAIM**

The ornamental design for a headphone, as shown and described.

DESCRIPTION

FIG. 1 is a perspective view of a headphone showing our new design;
FIG. 2 is a front elevational view thereof;
FIG. 3 is a rear elevational view thereof;
FIG. 4 is a left side elevational view thereof;
FIG. 5 is a right side elevational view thereof;
FIG. 6 is a top plan view thereof; and,
FIG. 7 is a bottom plan view thereof.
The broken lines showing the headphone portions form no part of the claimed design.

1 Claim, 5 Drawing Sheets



(56)

References Cited

U.S. PATENT DOCUMENTS

D458,246 S 6/2002 Davies et al.
 D491,163 S 6/2004 Green
 D512,708 S 12/2005 Harris, Jr. et al.
 D532,407 S 11/2006 Motoishi
 D534,155 S 12/2006 Obata
 D538,261 S 3/2007 Taylor et al.
 D539,788 S 4/2007 Thompson et al.
 D539,789 S 4/2007 Rausch et al.
 D540,303 S 4/2007 Rausch et al.
 D541,255 S 4/2007 Taylor et al.
 D541,256 S 4/2007 Rausch et al.
 D549,688 S 8/2007 Suzuki
 D552,077 S 10/2007 Brunner et al.
 D563,382 S 3/2008 Wikel
 7,388,960 B2 6/2008 Kuo et al.
 D573,581 S 7/2008 Gondo et al.
 7,412,070 B2 8/2008 Kleinschmidt et al.
 D576,604 S 9/2008 Suzuki
 D581,394 S 11/2008 Lee
 D585,871 S 2/2009 Lee
 D594,847 S 6/2009 Suzuki
 D600,674 S 9/2009 Brennwald
 D602,008 S 10/2009 Bentley et al.
 D602,917 S 10/2009 Bentley
 D603,370 S 11/2009 Suzuki
 D603,376 S 11/2009 Blasko
 D620,781 S 8/2010 Weckworth
 7,853,035 B2 12/2010 Tsunoda et al.
 D635,962 S 4/2011 Kelley
 D642,554 S 8/2011 Schaal et al.
 D643,530 S 8/2011 Ramstad et al.
 8,098,872 B2 1/2012 Chang
 D662,080 S 6/2012 Carr et al.
 D662,089 S 6/2012 Gougherty et al.
 D666,990 S 9/2012 Komiyama et al.
 D669,888 S 10/2012 Gougherty et al.
 D676,021 S 2/2013 Stevinson
 D676,022 S 2/2013 Stevinson
 D676,416 S 2/2013 Stevinson
 D677,243 S 3/2013 Kitayama et al.
 D684,145 S 6/2013 Rath
 D684,559 S 6/2013 Groset et al.
 D686,593 S 7/2013 Larsen

D699,702 S 2/2014 Chen
 D705,750 S 5/2014 Wu et al.
 D706,241 S 6/2014 Szymanski et al.
 D707,655 S 6/2014 Porter
 D721,052 S 1/2015 Carr et al.
 D722,998 S 2/2015 Sancho et al.
 D729,194 S 5/2015 Boeckel et al.
 D732,503 S 6/2015 Brunner et al.
 D734,296 S 7/2015 Paterson et al.
 D734,297 S 7/2015 Sasaki et al.
 D737,799 S 9/2015 Carr et al.
 D739,388 S 9/2015 Paterson et al.
 D739,842 S 9/2015 Birger
 D740,256 S 10/2015 Carr
 D741,290 S 10/2015 Schaal et al.
 D761,759 S 7/2016 He et al.
 D761,761 S 7/2016 Ando et al.
 D764,437 S 8/2016 Yang et al.
 D787,470 S 5/2017 Kelly et al.
 D792,376 S 7/2017 Morimoto et al.
 D800,691 S 10/2017 Ando et al.
 D837,763 S 1/2019 Suzuki
 D854,511 S * 7/2019 Yashiro D14/205
 D859,354 S 9/2019 Xia
 D860,161 S 9/2019 Xia
 D864,897 S 10/2019 Qin et al.
 D868,023 S 11/2019 Dryden et al.
 D868,024 S 11/2019 Dryden et al.
 D887,391 S 6/2020 Chong
 D892,078 S 8/2020 He
 D892,079 S 8/2020 Wu
 D905,004 S * 12/2020 Nakayama D14/205
 D905,005 S * 12/2020 Liu D14/205
 D908,663 S * 1/2021 Tamamura D14/205
 D909,991 S * 2/2021 Nakayama D14/205
 2015/0215695 A1 7/2015 He et al.
 2017/0230746 A1 * 8/2017 Silvestri H04R 1/288

FOREIGN PATENT DOCUMENTS

EM 001961947-0001 * 6/2011
 EM 001982976-0008 * 8/2011
 EM 008016034-0007 * 12/2019
 EM 008408066-0001 * 1/2021
 JP D1532845 S 9/2015

* cited by examiner

FIG.1

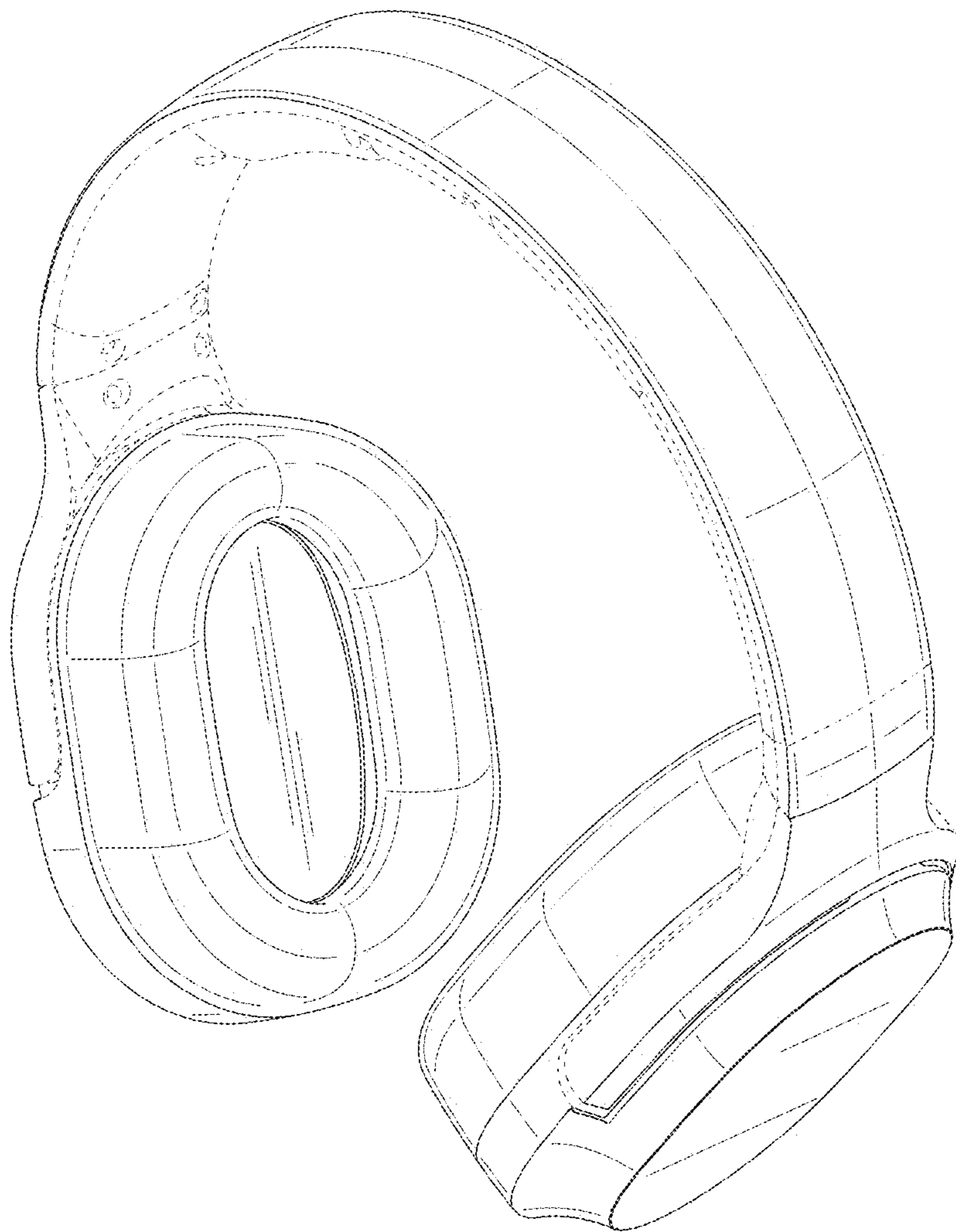


FIG.2

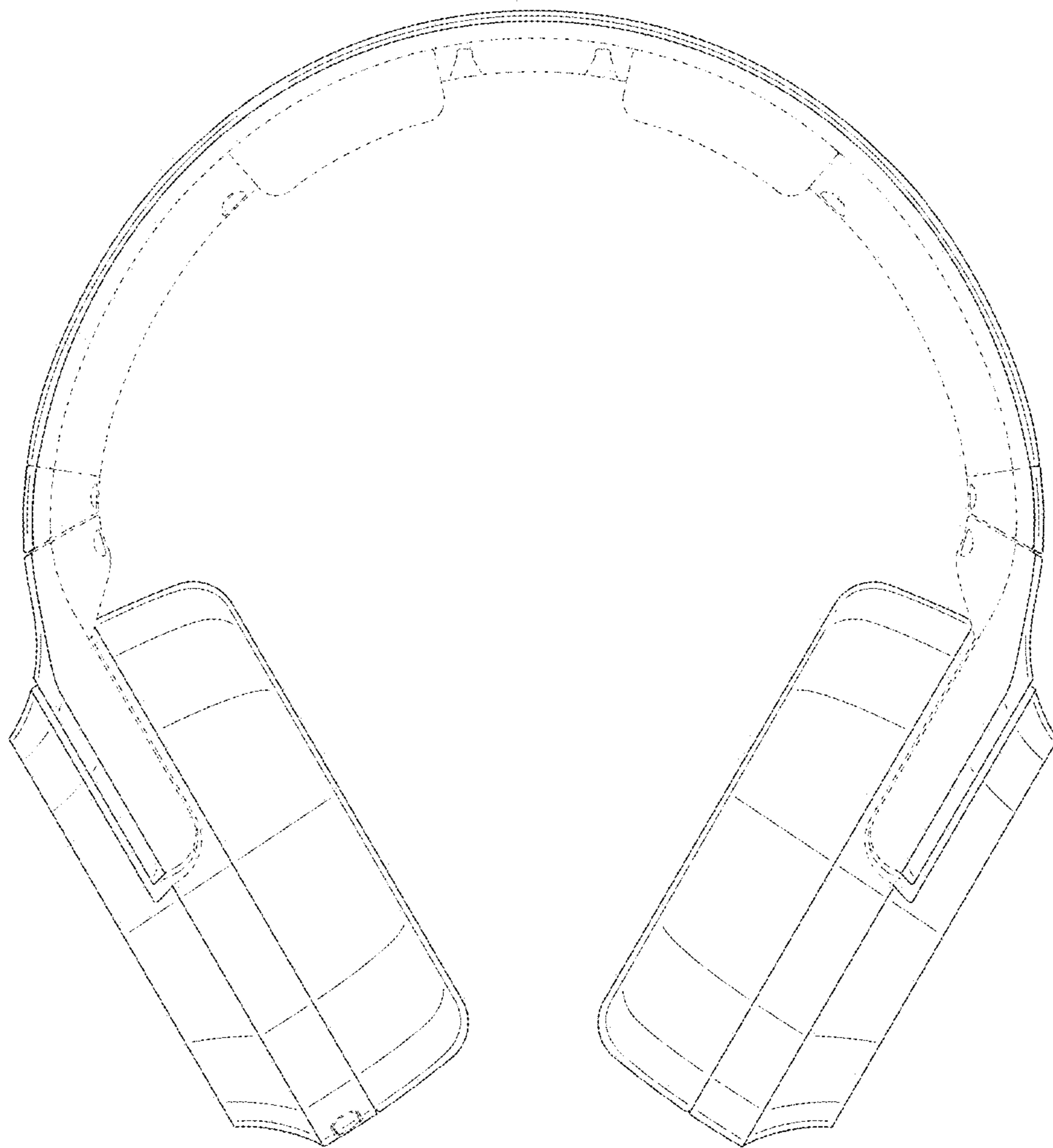


FIG.3

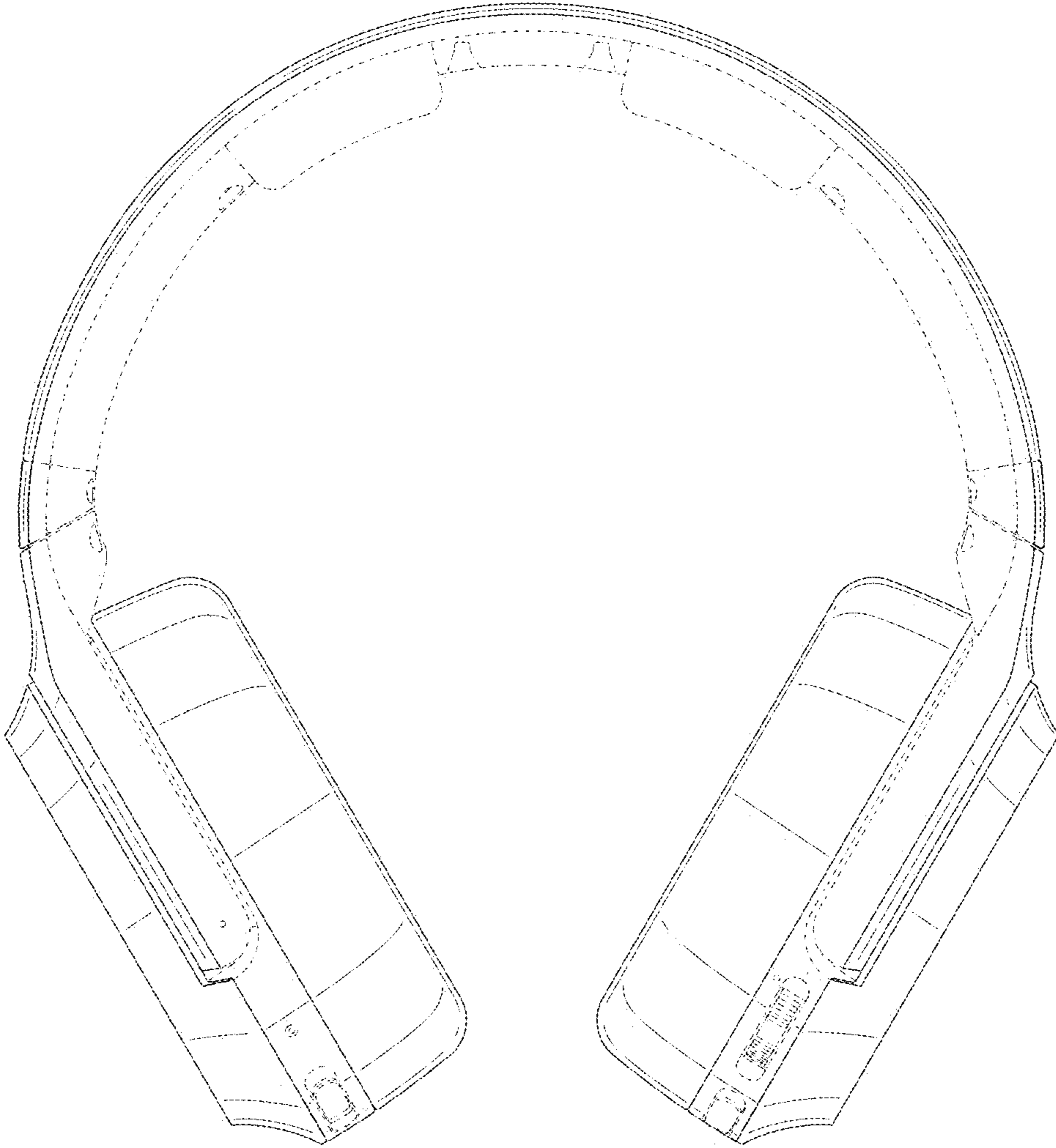


FIG.4

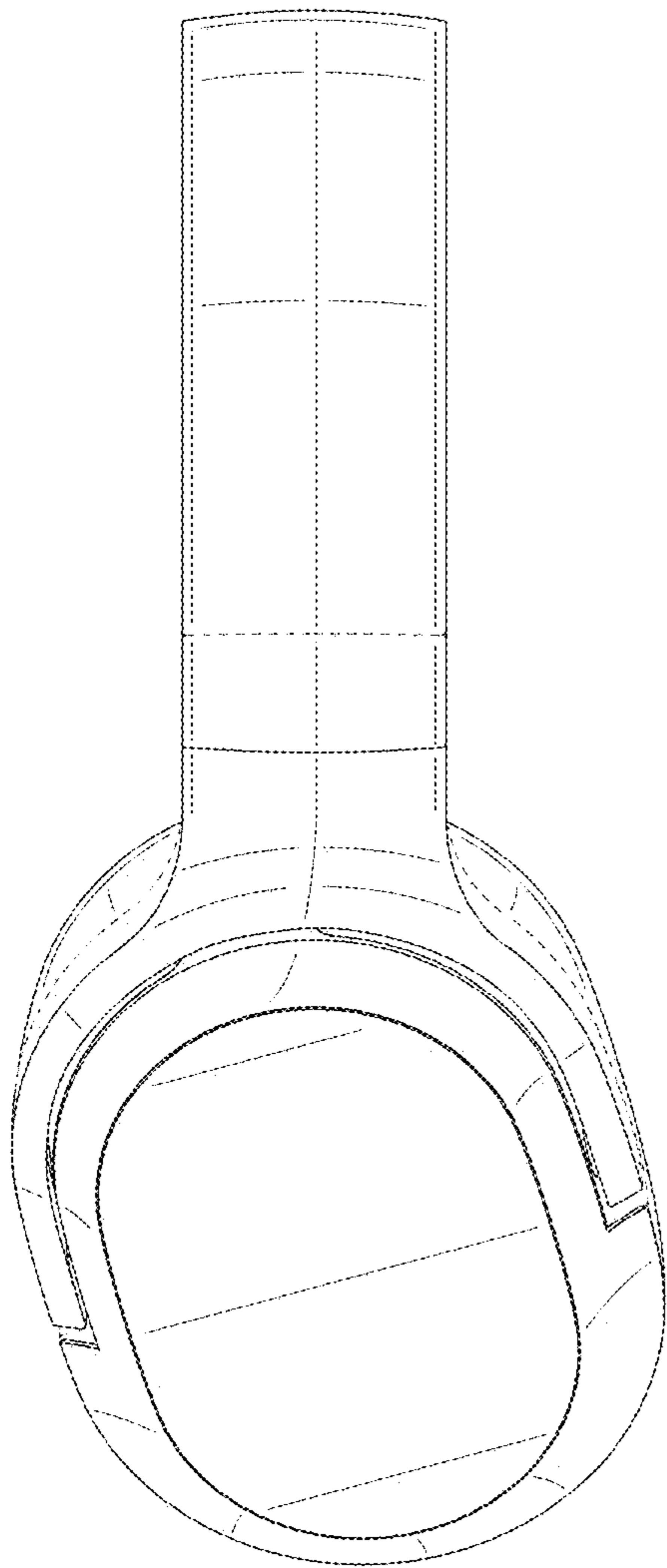


FIG.5

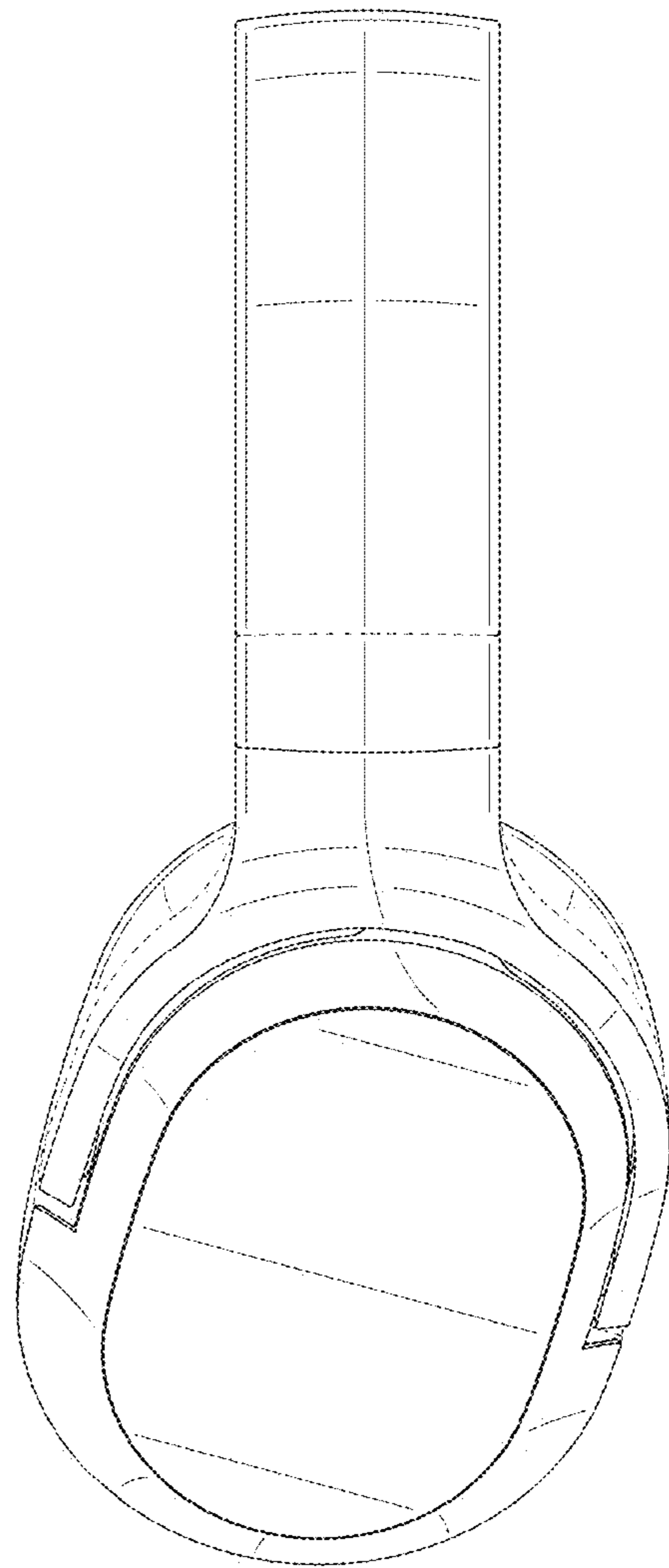


FIG.6

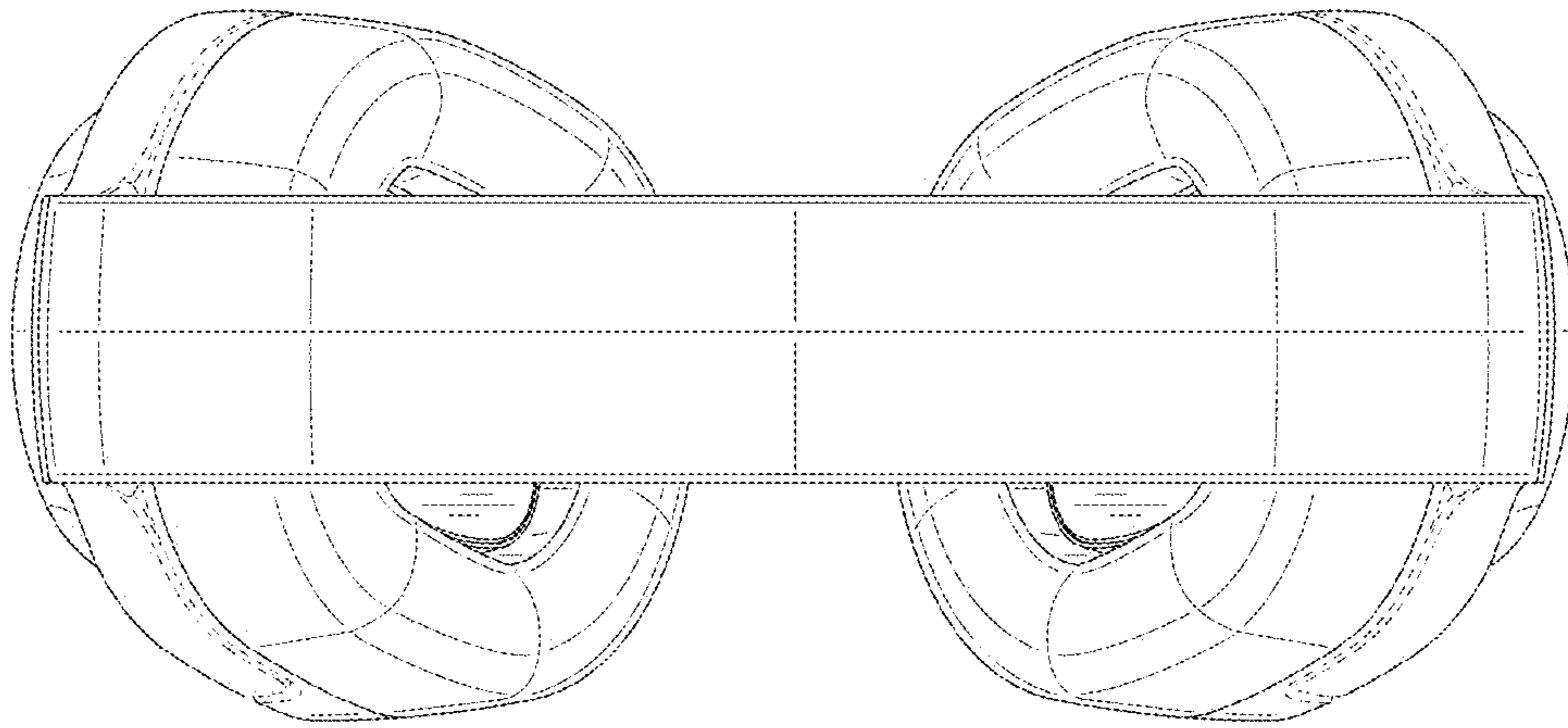


FIG.7

