



US00D918170S

(12) **United States Design Patent**
Sugiura

(10) **Patent No.:** **US D918,170 S**

(45) **Date of Patent:** **** May 4, 2021**

(54) **SPEAKER**

(71) Applicant: **YAMAHA CORPORATION,**
Hamamatsu (JP)

(72) Inventor: **Yoshihisa Sugiura,** Buena Park, CA
(US)

(73) Assignee: **YAMAHA CORPORATION,**
Hamamatsu (JP)

(**) Term: **15 Years**

(21) Appl. No.: **29/691,829**

(22) Filed: **May 20, 2019**

(51) **LOC (13) Cl.** **14-01**

(52) **U.S. Cl.**
USPC **D14/204**

(58) **Field of Classification Search**
USPC D14/170–172, 188, 203.1, 203.3, 204,
D14/348
CPC . H04R 1/02; H04R 1/023; H04R 5/02; H04R
7/00; H04R 7/02; H04R 9/06; H04R
2400/00
See application file for complete search history.

(56) **References Cited**

U.S. PATENT DOCUMENTS

D660,284 S * 5/2012 Carbone D14/214
D669,883 S * 10/2012 Cheng D14/214

D681,009 S * 4/2013 Meng D14/214
D688,231 S * 8/2013 Nishii D14/214
D721,352 S * 1/2015 Kusano D14/214
D757,001 S * 5/2016 Kim D14/344
D760,685 S * 7/2016 Sugiura D14/204
D800,693 S * 10/2017 Sugiura D14/214
D800,694 S * 10/2017 Sugiura D14/214
D826,207 S * 8/2018 Kim D14/204

* cited by examiner

Primary Examiner — Janice Patyk

(74) *Attorney, Agent, or Firm* — Sughrue Mion, PLLC

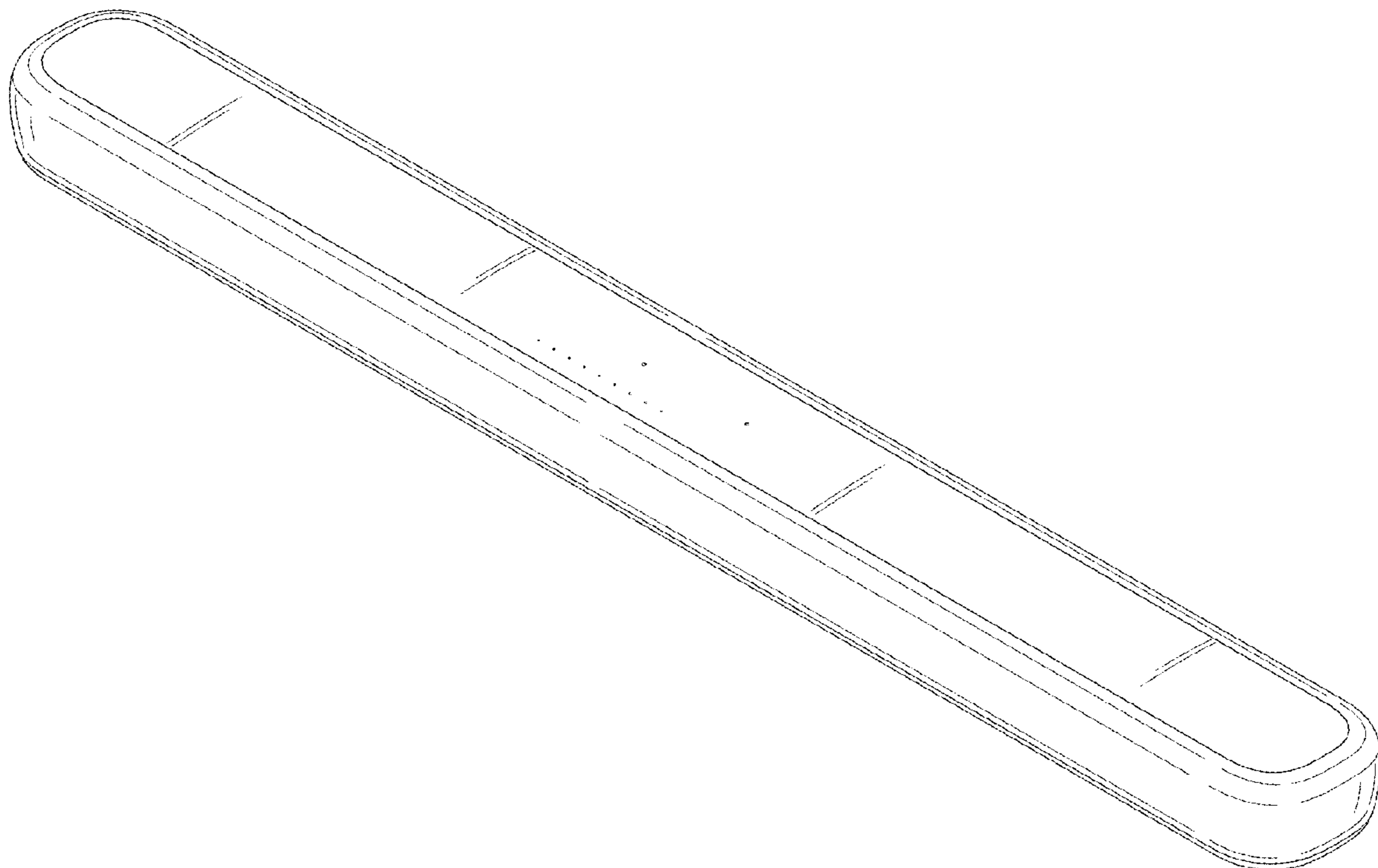
(57) **CLAIM**

The ornamental design for a speaker, as shown and described.

DESCRIPTION

FIG. 1 is a front, right side, top perspective view of a speaker, showing my new design;
FIG. 2 is a front view thereof;
FIG. 3 is a rear view thereof;
FIG. 4 is a left side view thereof;
FIG. 5 is a right side view thereof;
FIG. 6 is a top view thereof; and,
FIG. 7 is a bottom view thereof.
The broken lines in the figures illustrate the portions of the design that form no part of the claimed design.

1 Claim, 3 Drawing Sheets



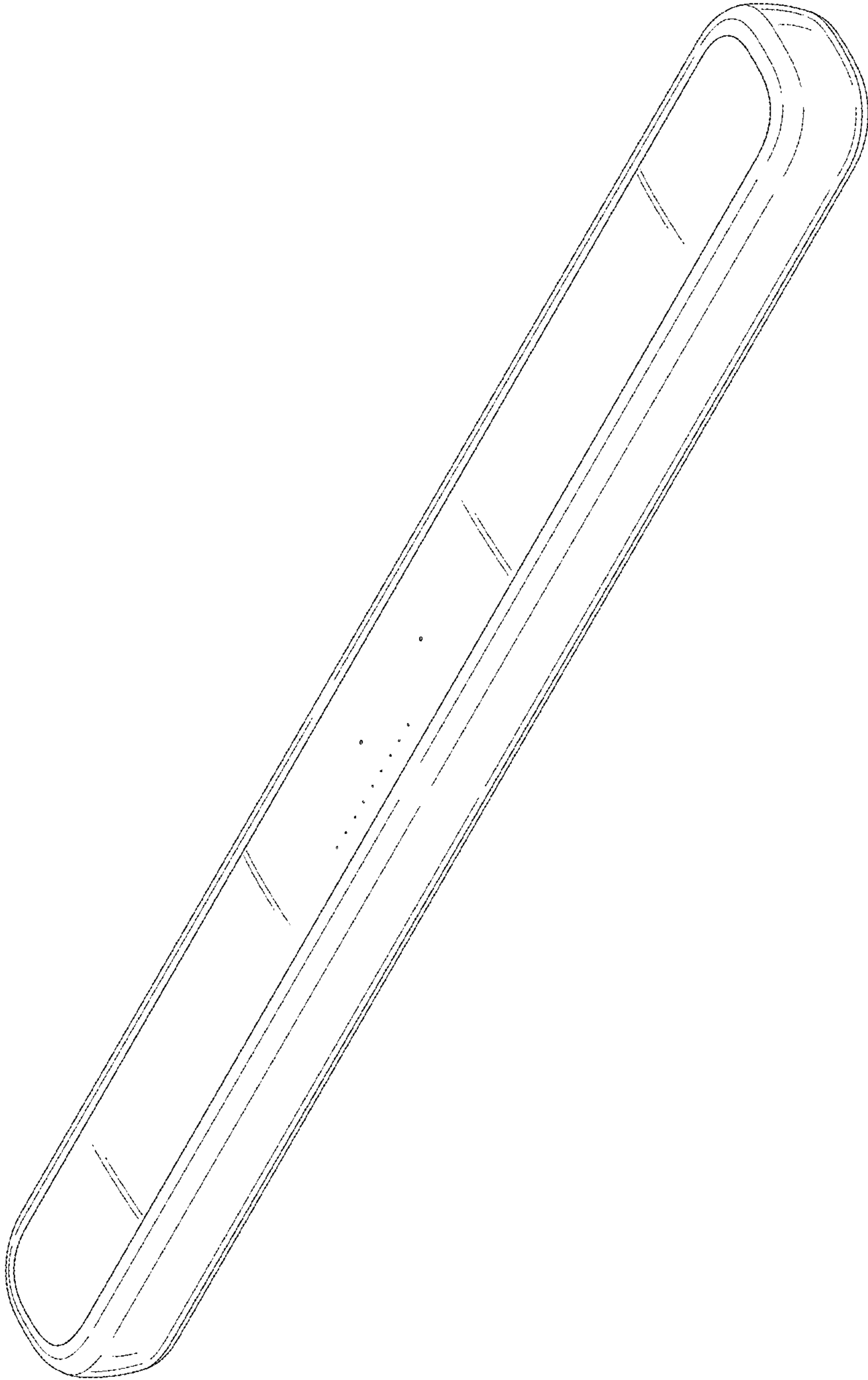


FIG. 1

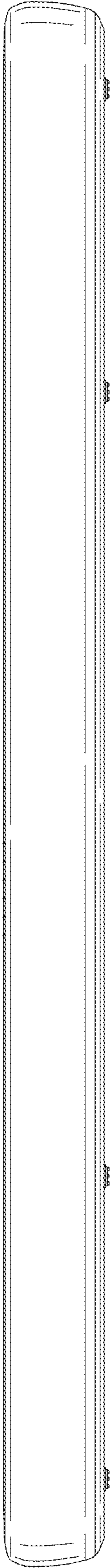


FIG. 2

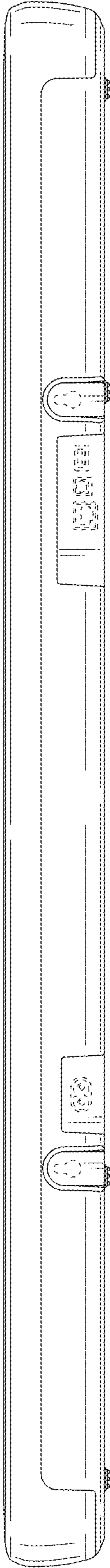


FIG. 3

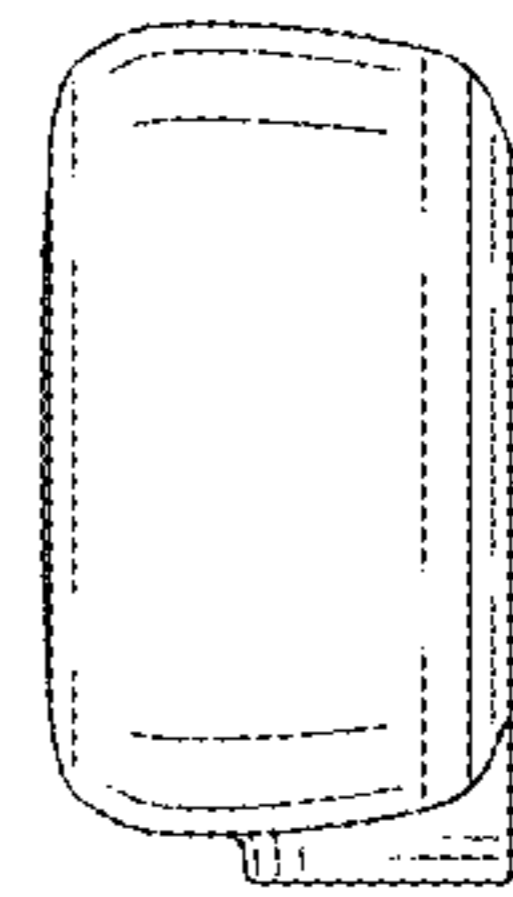


FIG. 4

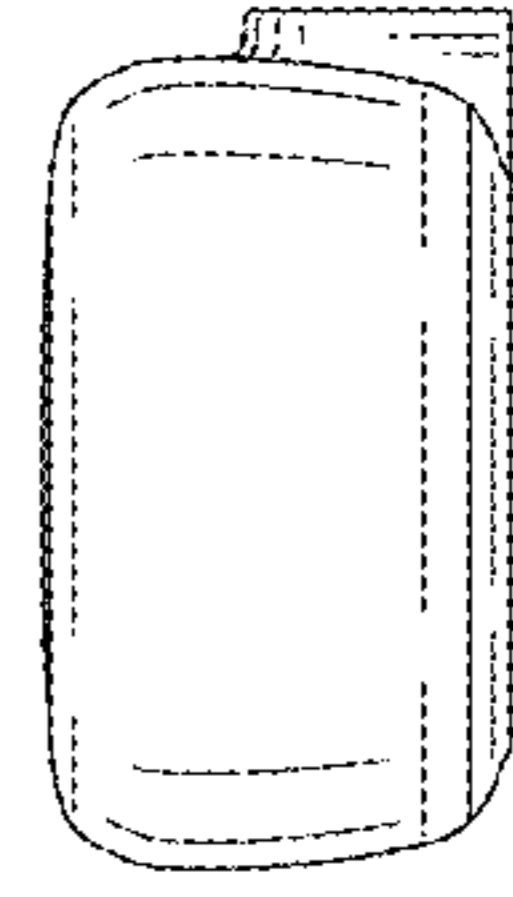


FIG. 5

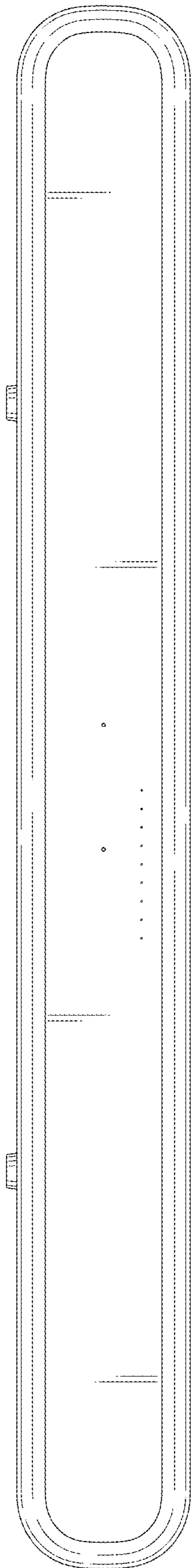


FIG. 6

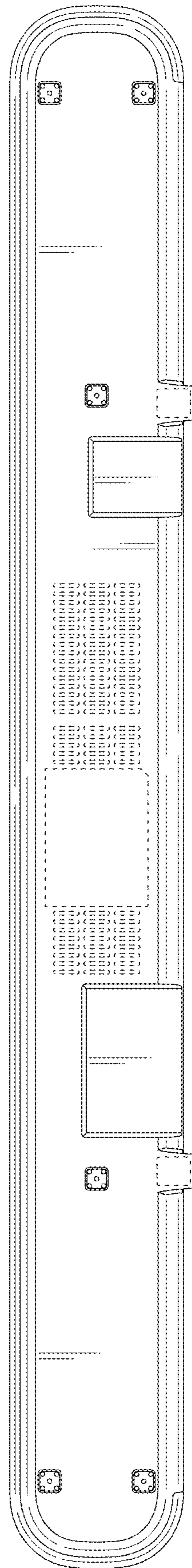


FIG. 7