



US00D918167S

(12) **United States Design Patent** (10) **Patent No.:** **US D918,167 S**  
**Wang** (45) **Date of Patent:** **\*\* May 4, 2021**

(54) **CAR MP3 PLAYER**  
(71) Applicant: **Weian Wang**, Guangdong (CN)  
(72) Inventor: **Weian Wang**, Guangdong (CN)  
(73) Assignee: **Shenzhen GXY Electronic Co., Ltd.**,  
Guangdong (CN)  
(\*\*) Term: **15 Years**  
(21) Appl. No.: **29/684,275**  
(22) Filed: **Mar. 19, 2019**  
(51) **LOC (13) Cl.** ..... **14-03**  
(52) **U.S. Cl.**  
USPC ..... **D14/155**; D14/496  
(58) **Field of Classification Search**  
USPC ... D14/137, 155, 157, 167, 168, 188, 203.1,  
D14/203.3, 203.4, 203.6, 217, 496;  
D13/108, 110, 144  
CPC .... H04B 1/034; H04B 1/3822; H04B 1/3827;  
H04M 1/6091; H04M 1/6083; H04M  
1/6066  
See application file for complete search history.

D836,593 S \* 12/2018 Hu ..... D14/155  
D840,937 S \* 2/2019 Wang ..... D13/144  
D842,261 S \* 3/2019 Chen ..... D14/155  
D864,144 S \* 10/2019 Du ..... D14/155  
D885,361 S \* 5/2020 Wang ..... D14/155  
2012/0264415 A1\* 10/2012 Baldini ..... H04W 4/00  
455/420

**OTHER PUBLICATIONS**

GXYKIT G41 1 USB Port LCD Screen SD Card U-disk Car Handsfree Kit Car FM Transmitter, online, no post date, URL: <https://gxy.manufacturer.globalsources.com/si/6008828262470/pdtl/CAR-MP3/1176224072/Car-Mp3-Player.htm>, retrieved Jun. 8, 2020.\*

\* cited by examiner

*Primary Examiner* — Jeffrey D Asch  
*Assistant Examiner* — Rebekah A Caruso

(57) **CLAIM**

The ornamental design for a car MP3 player, as shown and described.

**DESCRIPTION**

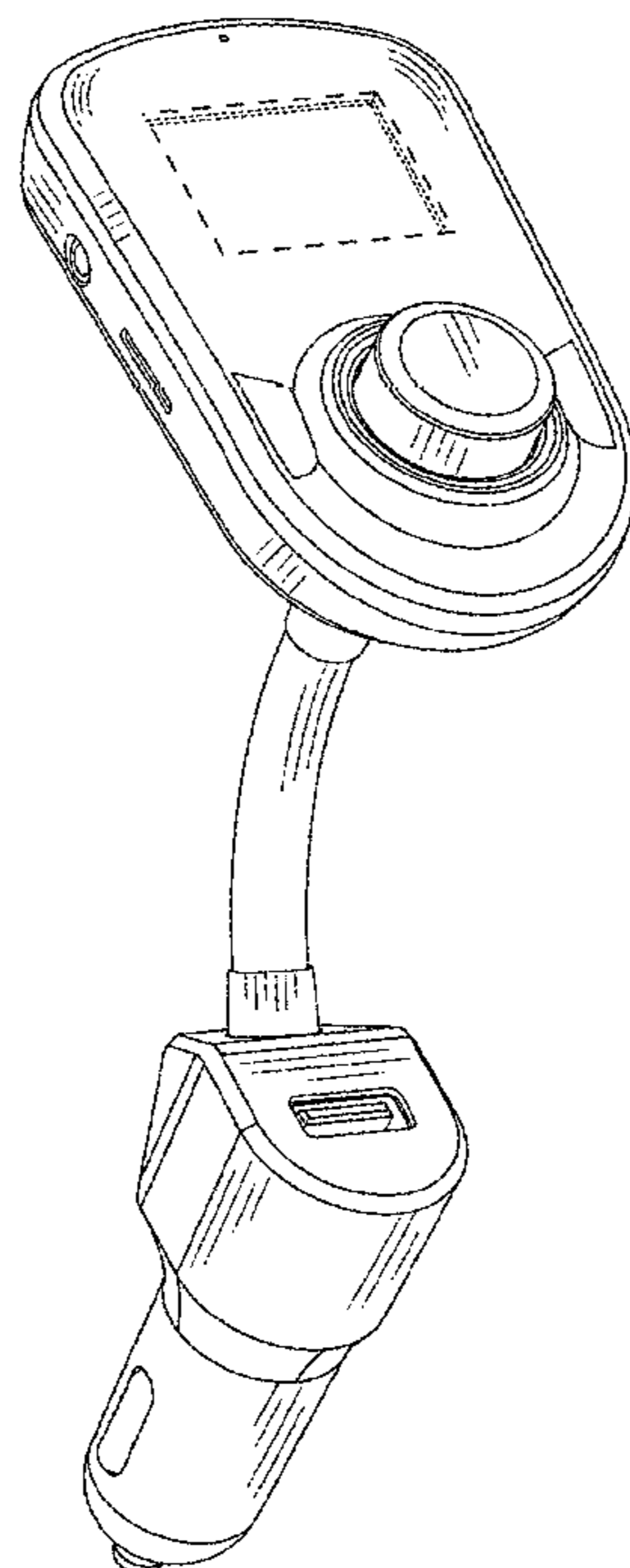
FIG. 1 is a bottom and rear perspective view of a car MP3 player showing my new design;  
FIG. 2 is a front elevation view thereof;  
FIG. 3 is a rear elevation view thereof;  
FIG. 4 is a left side elevation view thereof;  
FIG. 5 is a right side elevation view thereof;  
FIG. 6 is a top plan view thereof, shown enlarged in scale; and,  
FIG. 7 is a bottom plan view thereof, shown enlarged in scale.  
The broken lines depict parts of the car MP3 player and form no part of the claimed design.

**1 Claim, 7 Drawing Sheets**

(56) **References Cited**

**U.S. PATENT DOCUMENTS**

D795,832 S \* 8/2017 Du ..... D14/155  
D796,470 S \* 9/2017 Du ..... D14/155  
D800,684 S \* 10/2017 Xiao ..... D14/155  
D800,685 S \* 10/2017 Xiao ..... D14/155  
D805,496 S \* 12/2017 Yin ..... D14/155  
D808,430 S \* 1/2018 Wang ..... D14/496  
D808,919 S \* 1/2018 Yin ..... D14/155  
D808,920 S \* 1/2018 Yin ..... D14/155  
D820,803 S \* 6/2018 Hu ..... D14/155



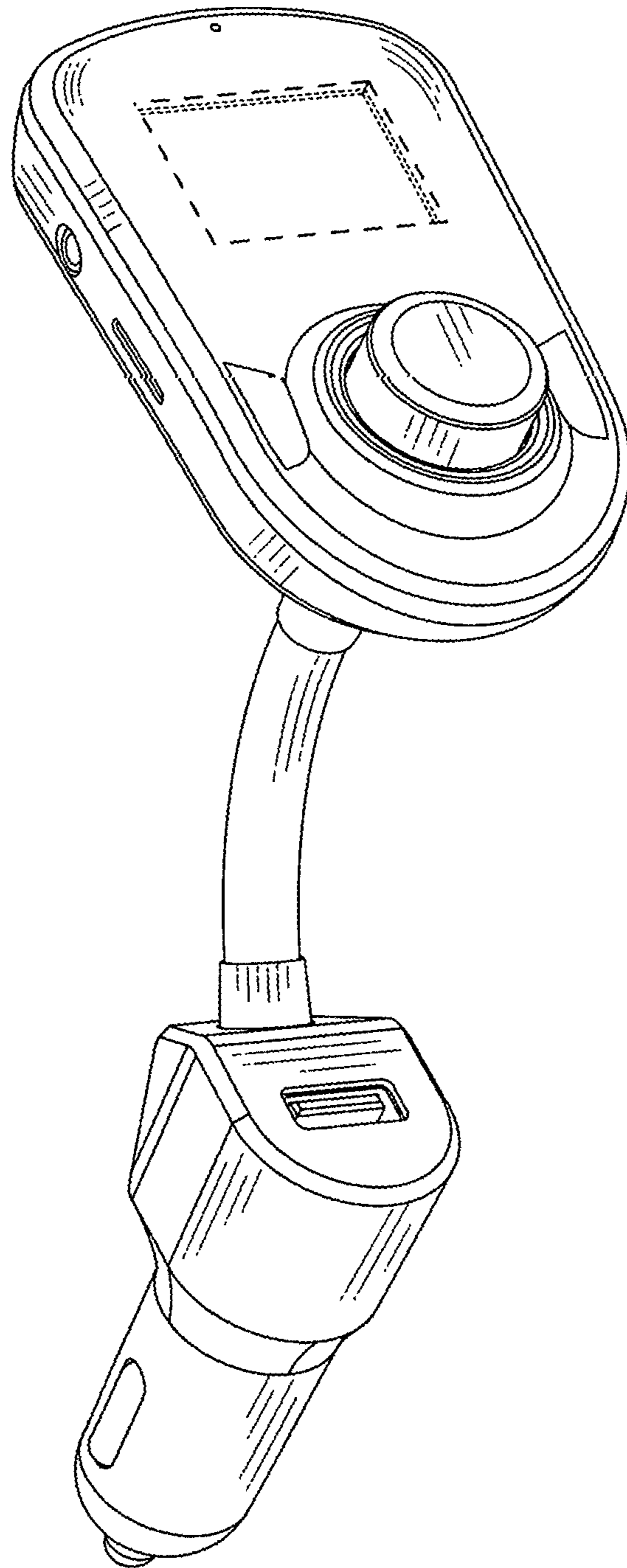


FIG.1

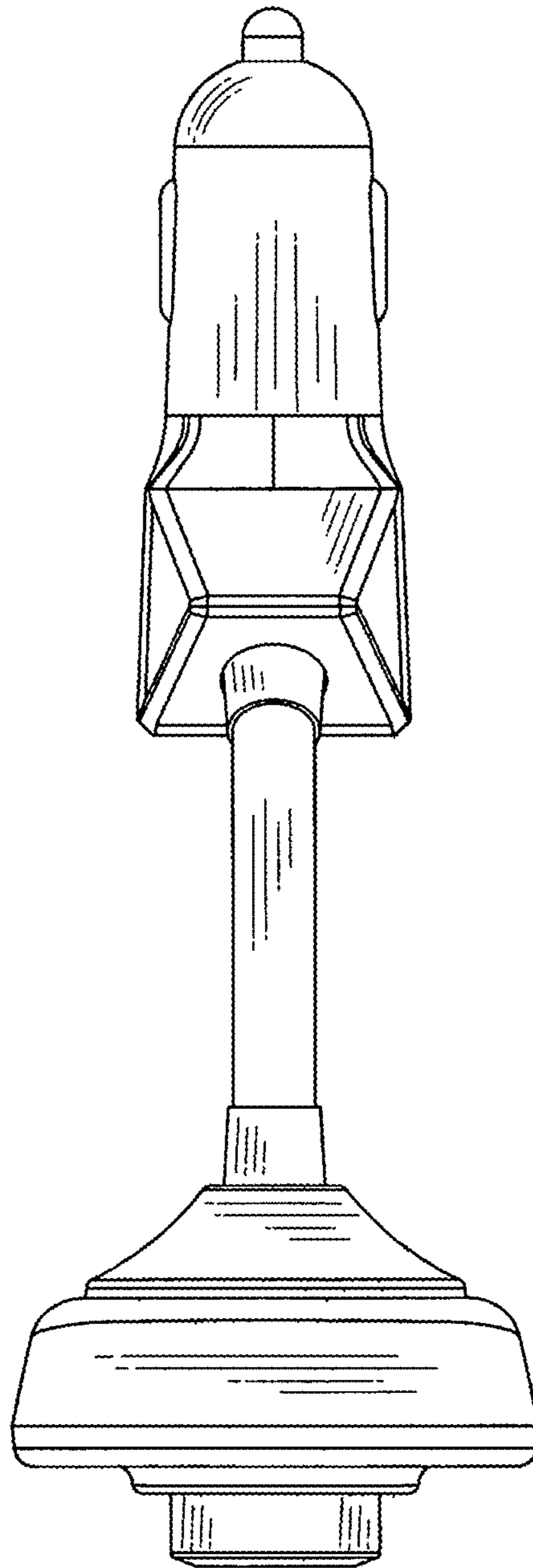


FIG.2

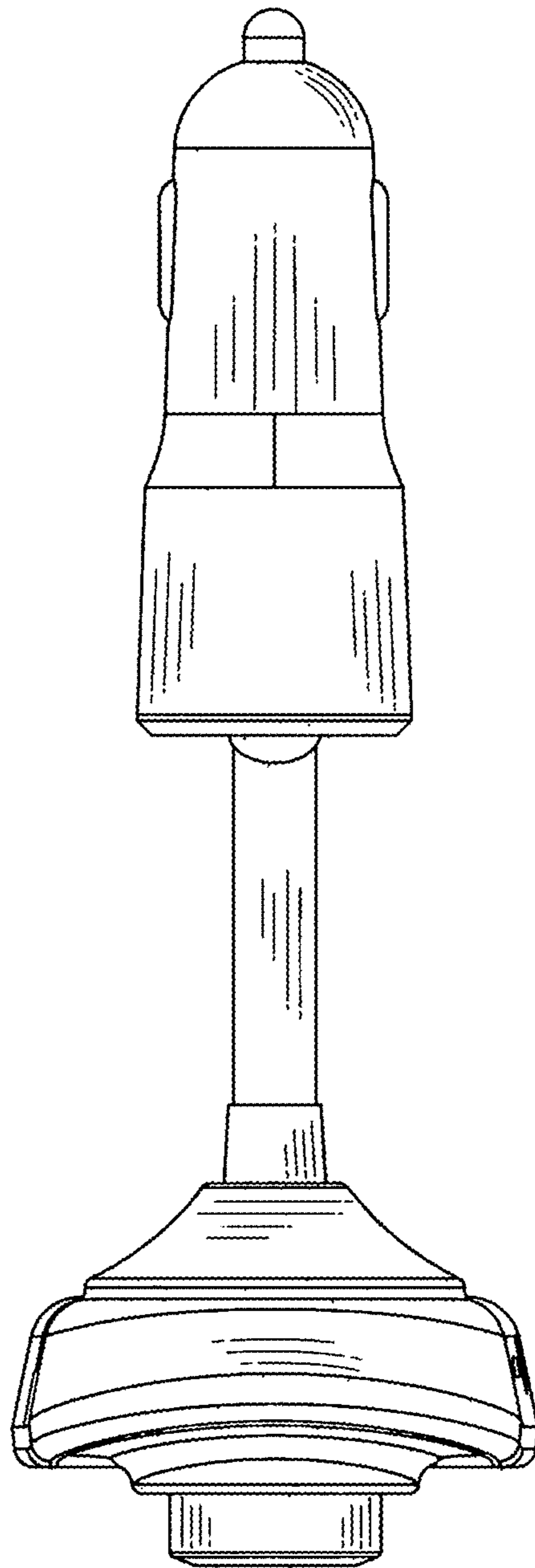


FIG.3

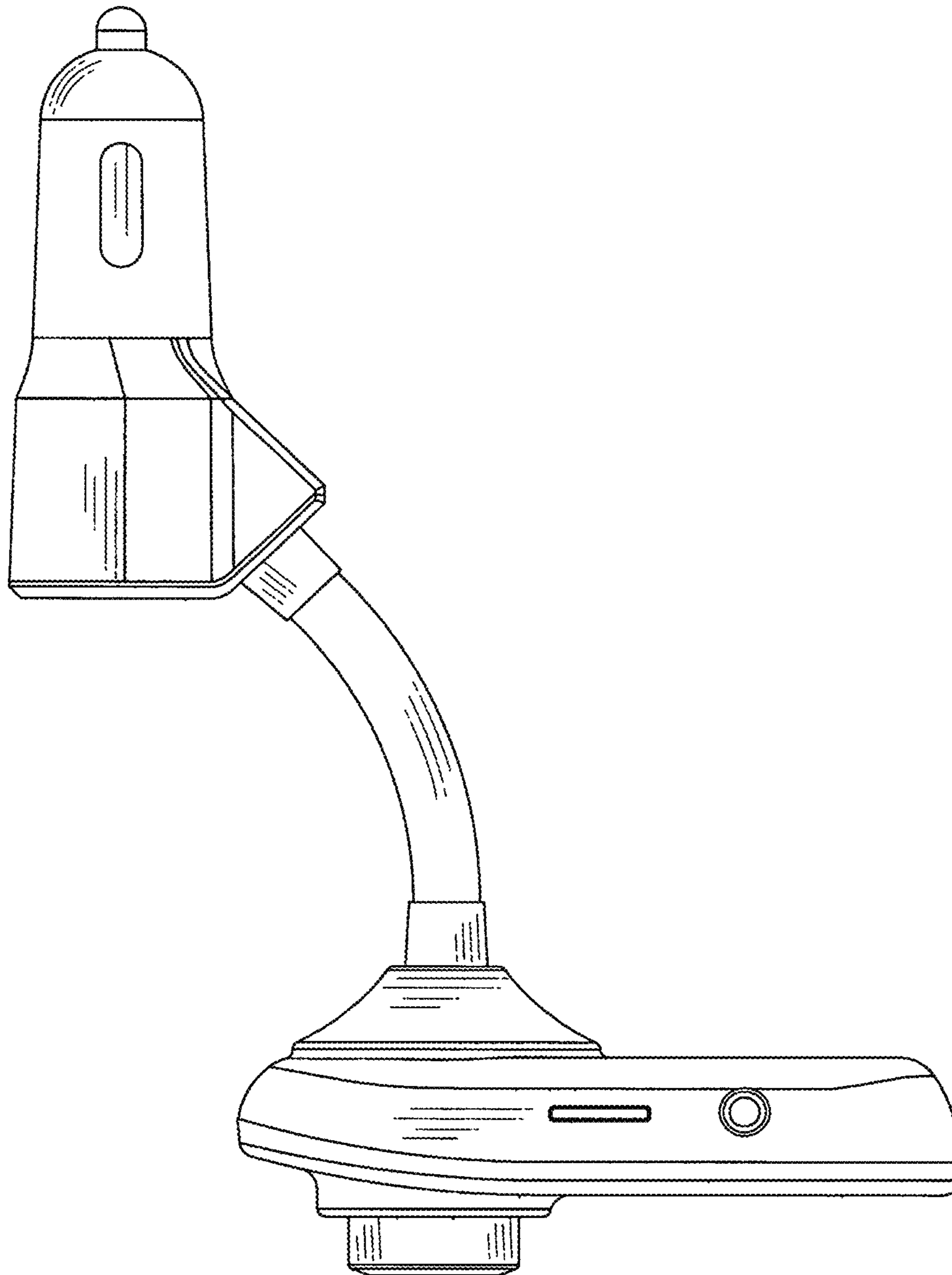


FIG. 4

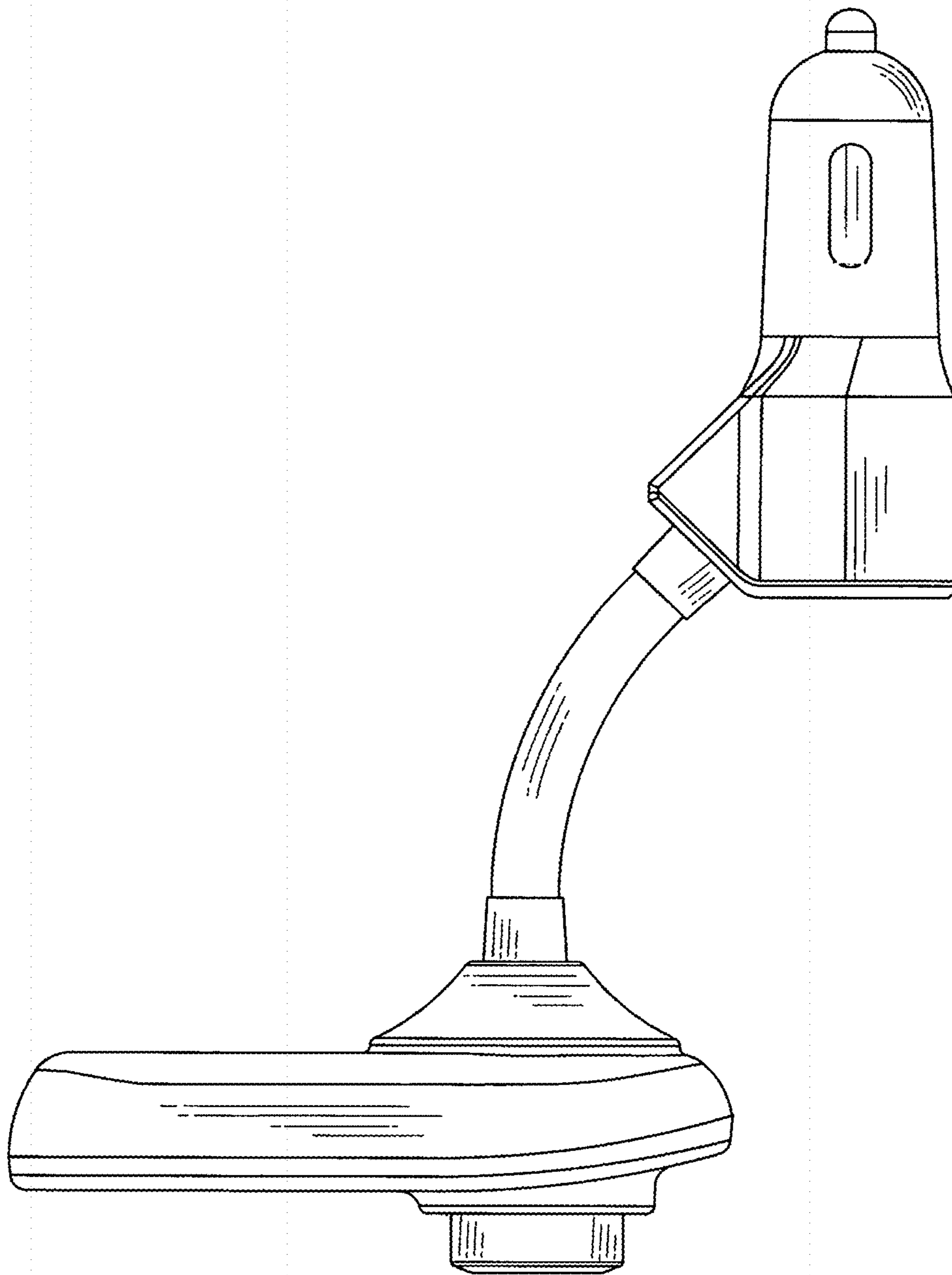


FIG. 5

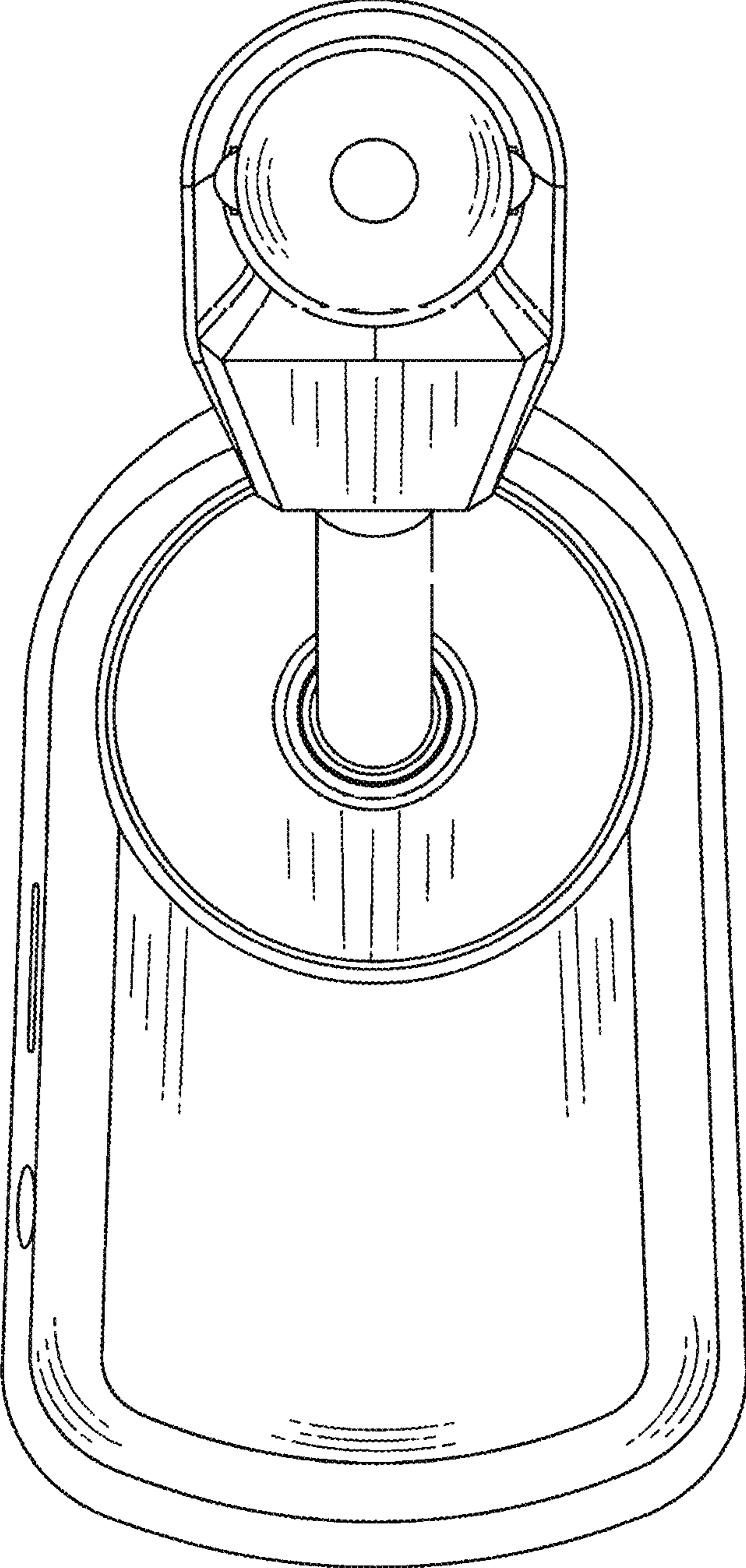


FIG.6

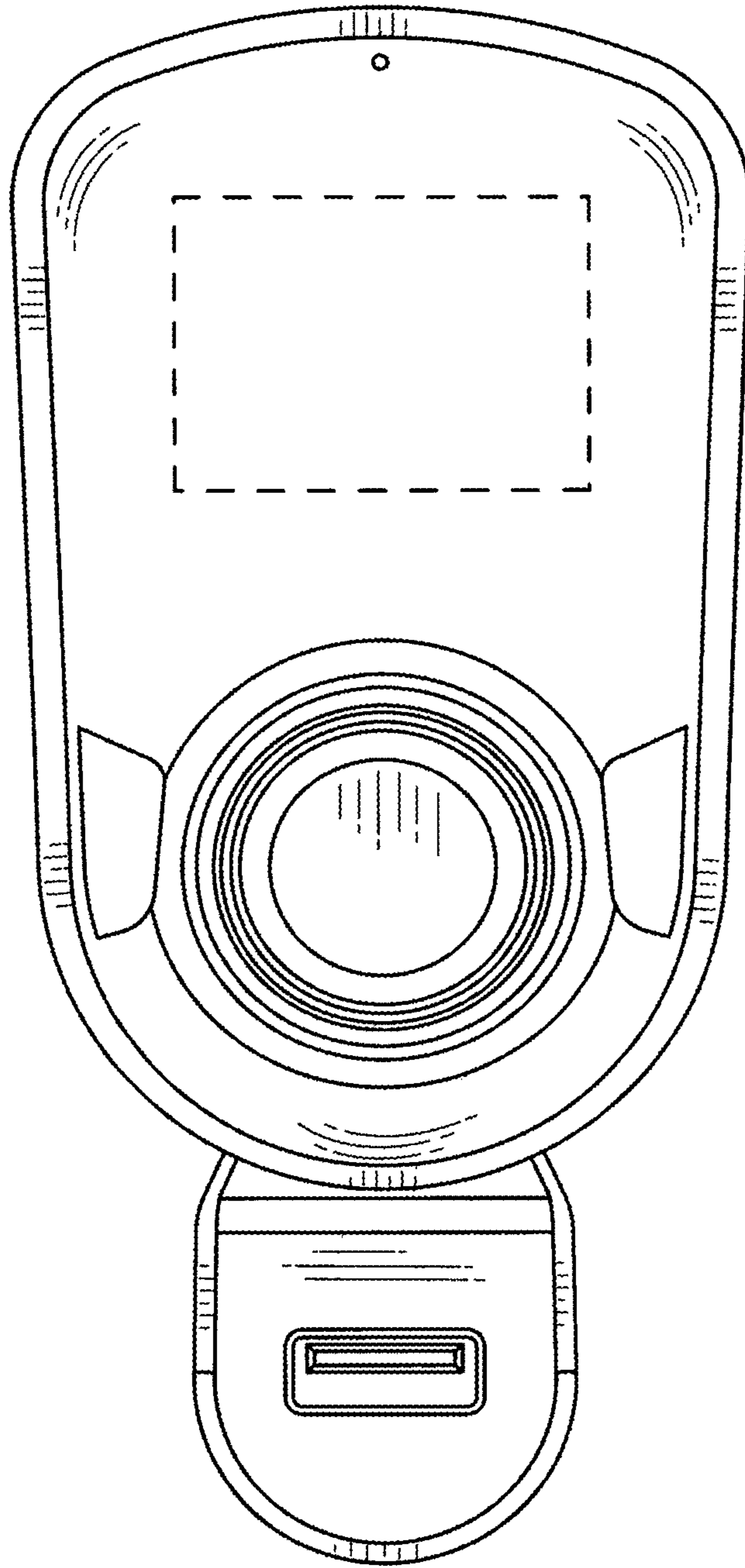


FIG. 7