



US00D918166S

(12) **United States Design Patent**  
**Zhang et al.**

(10) **Patent No.:** **US D918,166 S**

(45) **Date of Patent:** **\*\* May 4, 2021**

(54) **WIRELESS COMMUNICATION TERMINAL**

(71) Applicant: **YEALINK (XIAMEN) NETWORK TECHNOLOGY CO., LTD.**, Fujian (CN)

(72) Inventors: **Jiancheng Zhang**, Fujian (CN);  
**Jingfeng Su**, Fujian (CN)

(73) Assignee: **YEALINK (XIAMEN) NETWORK TECHNOLOGY CO., LTD.**, Xiamen (CN)

(\*\*) Term: **15 Years**

(21) Appl. No.: **29/681,022**

(22) Filed: **Feb. 21, 2019**

(30) **Foreign Application Priority Data**

Oct. 19, 2018 (CN) ..... 201830585144.7

(51) **LOC (13) Cl.** ..... **14-03**

(52) **U.S. Cl.**  
USPC ..... **D14/148**

(58) **Field of Classification Search**  
USPC ..... D14/140, 142, 144, 147, 148, 248, 329,  
D14/330, 338, 467, 471, 130, 138 R,  
D14/138 AA; D21/517  
CPC ..... H04M 1/02; H04M 1/0202; H04M 1/03;  
H04M 2001/0204  
See application file for complete search history.

(56) **References Cited**

**U.S. PATENT DOCUMENTS**

D435,528 S \* 12/2000 Hunt ..... D14/138 R  
D477,582 S \* 7/2003 Muenscher ..... D14/147  
D538,774 S \* 3/2007 Franck ..... D14/147  
D583,354 S \* 12/2008 Gonser ..... D14/147  
D615,957 S \* 5/2010 Ju ..... D14/147  
D618,657 S \* 6/2010 Sakamoto ..... D14/147  
D618,658 S \* 6/2010 Sakamoto ..... D14/147

D619,980 S \* 7/2010 Kang ..... D14/138 AA  
D620,915 S \* 8/2010 Brabander ..... D14/147  
D638,393 S \* 5/2011 Gonser ..... D14/147  
D647,515 S \* 10/2011 Brabander ..... D14/248  
D647,516 S \* 10/2011 Brabander ..... D14/248  
D668,630 S \* 10/2012 Sakamoto ..... D14/147  
D669,449 S \* 10/2012 Sakamoto ..... D14/147  
D669,878 S \* 10/2012 Furuno ..... D14/147

(Continued)

**OTHER PUBLICATIONS**

Yealink W53H Cordless DECT IP Phone. (online) 5 pgs. Available Oct. 8, 2018. [retrieved Oct. 29, 2020] [https://www.amazon.com/Yealink-W53H-Cordless-Included-1-8-Inch/dp/B07J5XSQZD/ref=psdc\\_1086954\\_t2\\_B07J9QQ8NQ](https://www.amazon.com/Yealink-W53H-Cordless-Included-1-8-Inch/dp/B07J5XSQZD/ref=psdc_1086954_t2_B07J9QQ8NQ).\*

(Continued)

*Primary Examiner* — Marie D. Fast Horse

(57) **CLAIM**

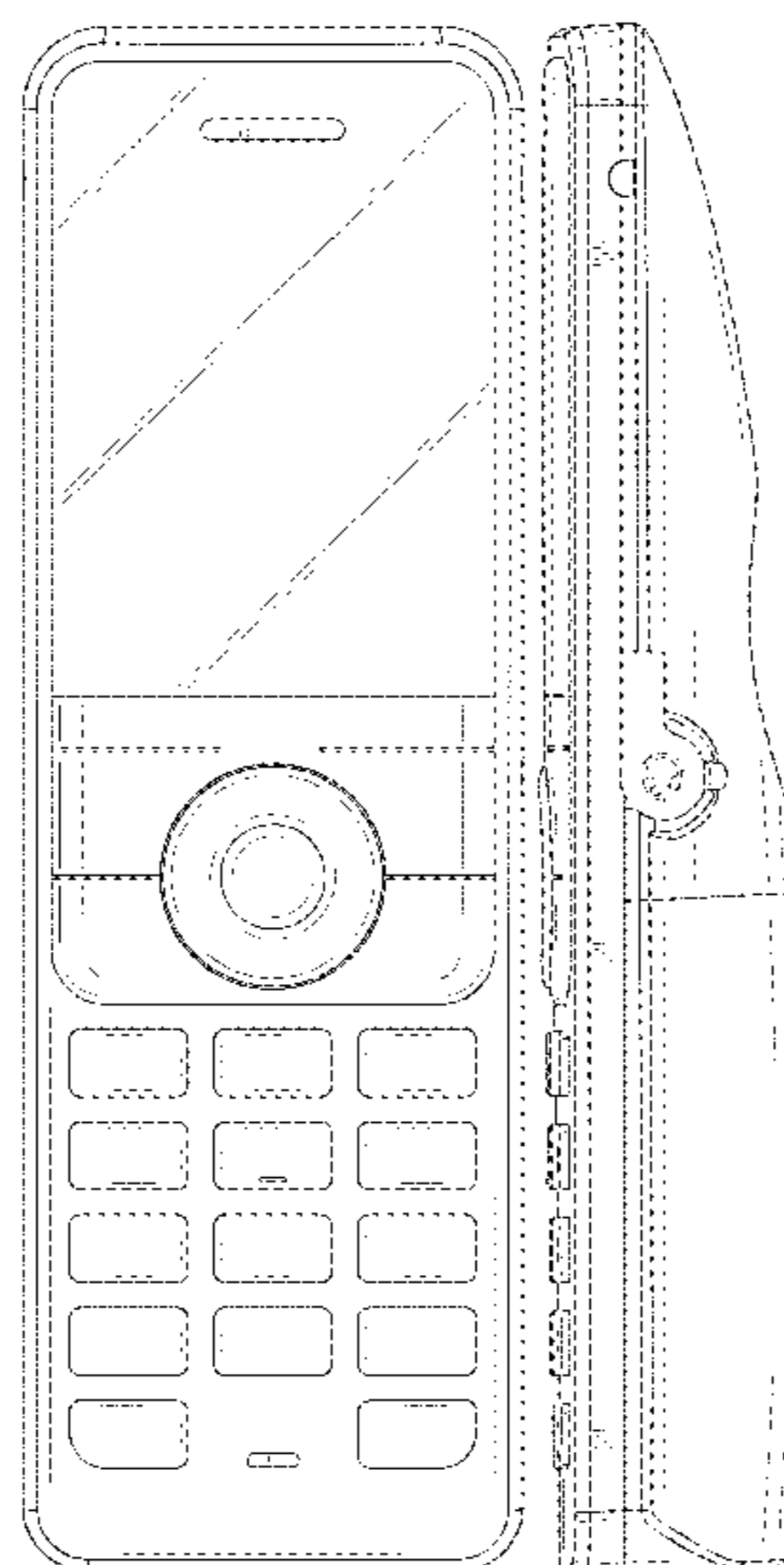
The ornamental design for a wireless communication terminal, as shown and described.

**DESCRIPTION**

FIG. 1 is a front elevational view of a wireless communication terminal showing our new design; FIG. 2 is a rear elevational view thereof; FIG. 3 is a left side view thereof; FIG. 4 is a right side view thereof; FIG. 5 is a top plan view thereof; FIG. 6 is a bottom plan view thereof; FIG. 7 is a front and right side perspective view thereof; FIG. 8 is a top, rear and left side perspective view thereof; and, FIG. 9 is a bottom, rear and right side perspective view thereof.

The broken lines in the drawings depict portions of the wireless communication terminal that form no part of the claimed design. The oblique shade lines in the drawings represent a reflective surface.

**1 Claim, 8 Drawing Sheets**



(56)

**References Cited**

U.S. PATENT DOCUMENTS

D670,674 S \* 11/2012 Chou ..... D14/148  
D671,516 S \* 11/2012 Ookawa ..... D14/148  
D689,036 S \* 9/2013 Yoshida ..... D14/147  
D718,270 S \* 11/2014 Furuno ..... D14/147  
D751,525 S \* 3/2016 Lewis ..... D14/148  
D798,849 S \* 10/2017 Ookawa ..... D14/248  
D832,808 S \* 11/2018 Tani ..... D14/147  
D852,159 S \* 6/2019 Tani ..... D14/147  
2012/0129512 A1\* 5/2012 Kanai ..... H04W 52/245  
455/418  
2017/0126856 A1\* 5/2017 Fujita ..... H04M 1/0202

OTHER PUBLICATIONS

Handsets. (Design—© Questel) orbit.com. [online PDF] 25 pgs.  
Print Dates Range May 4, 2012 through May 27, 2020 [Retrieved  
Oct. 29, 2020] [https://www.orbit.com/export/QPTUJ214/pdf2/  
073b5f9a-93f3-4f0c-a859-7ab57ab6fd43-220645.pdf](https://www.orbit.com/export/QPTUJ214/pdf2/073b5f9a-93f3-4f0c-a859-7ab57ab6fd43-220645.pdf).\*

\* cited by examiner

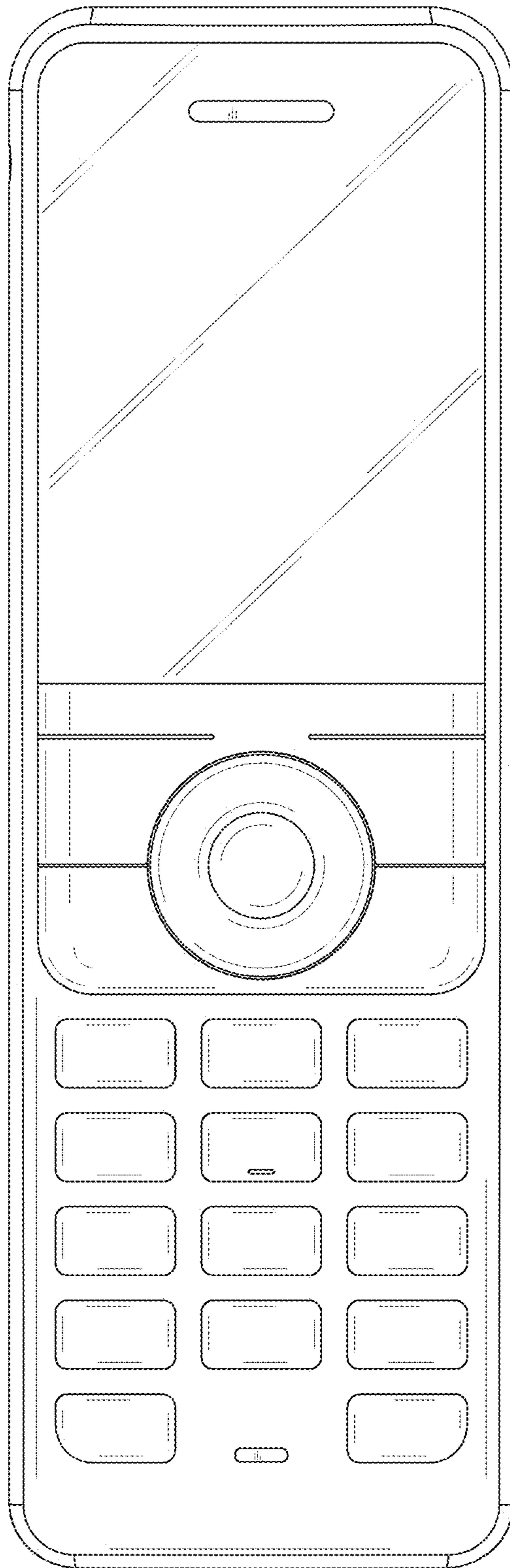


FIG. 1

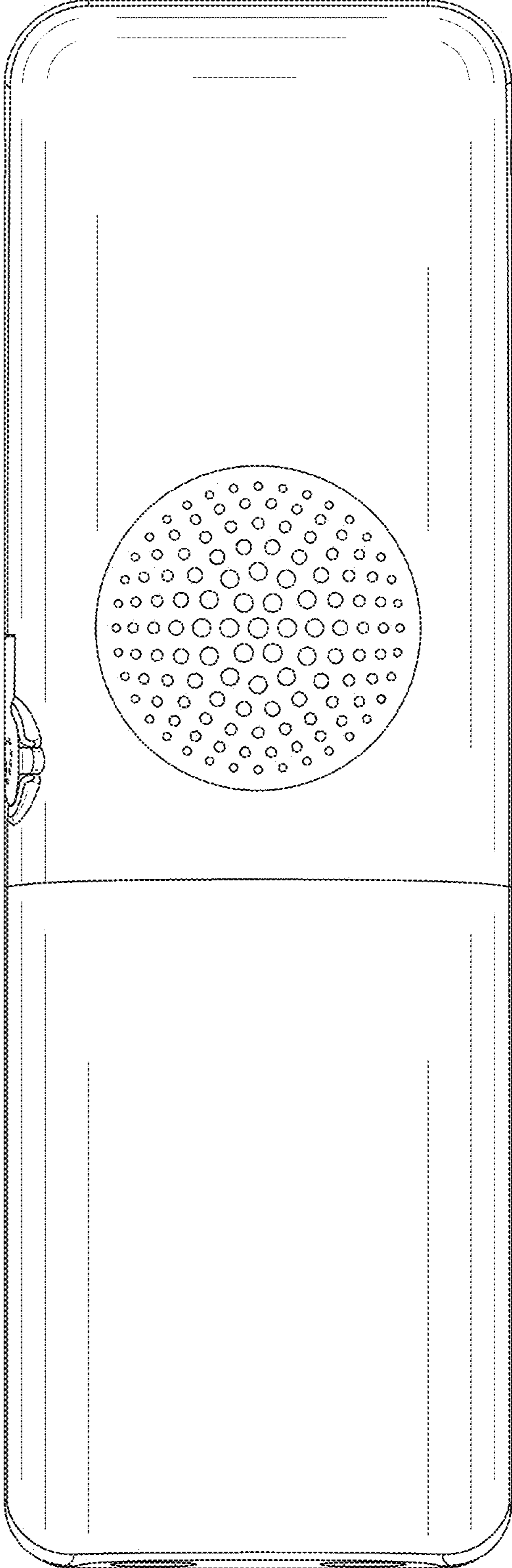


FIG.2

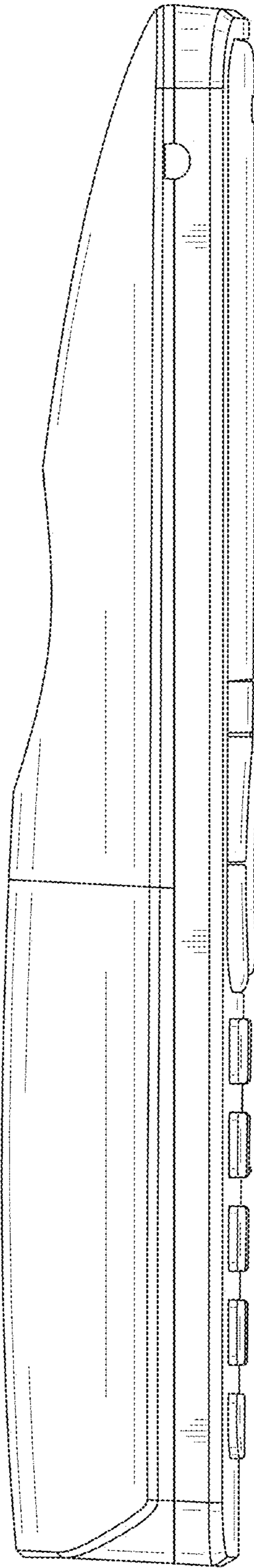


FIG.3

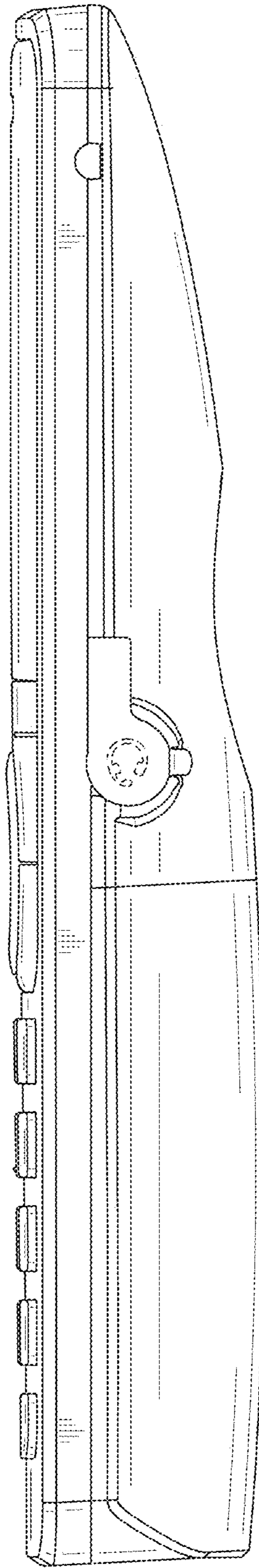


FIG.4

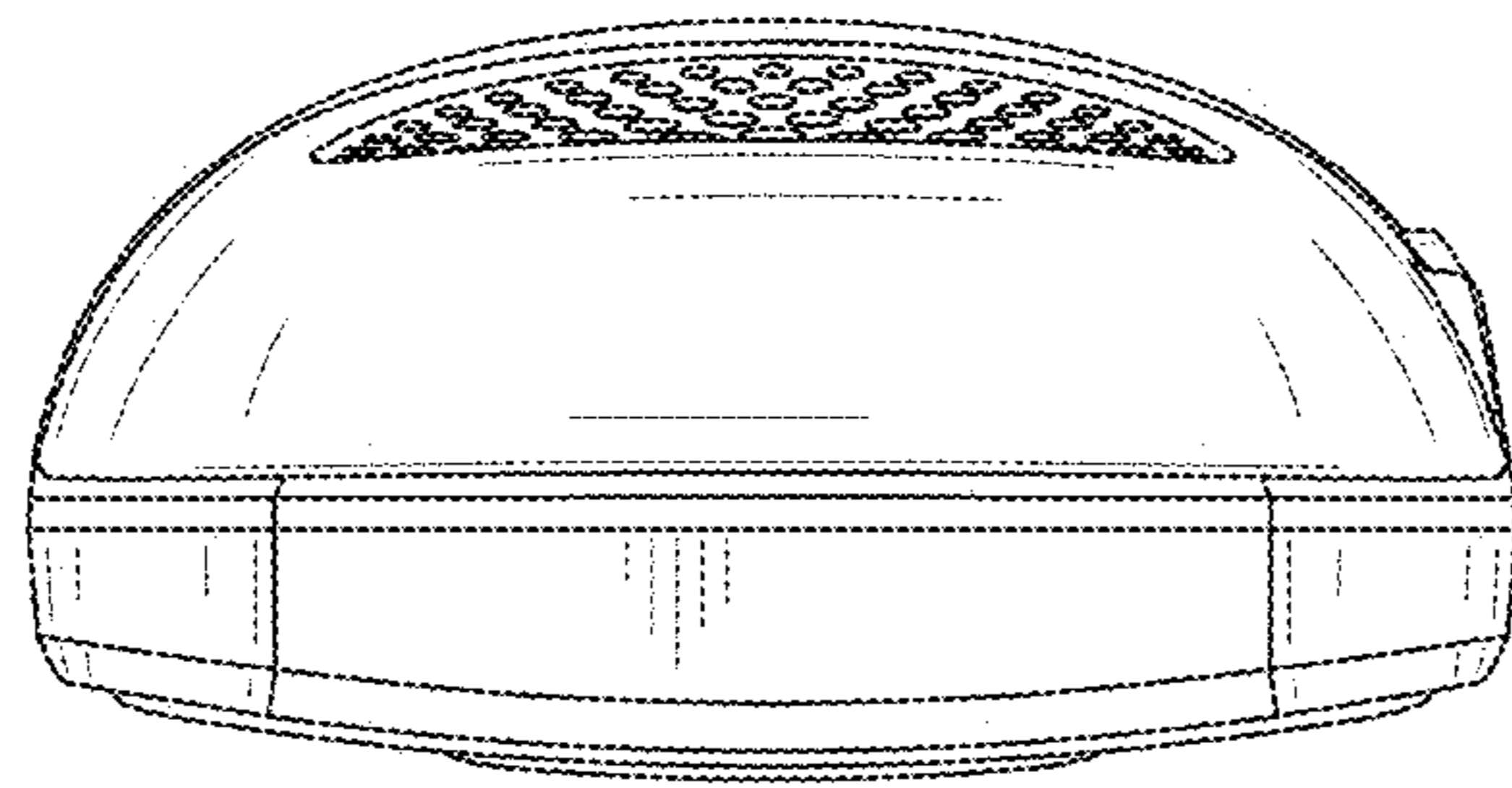


FIG. 5

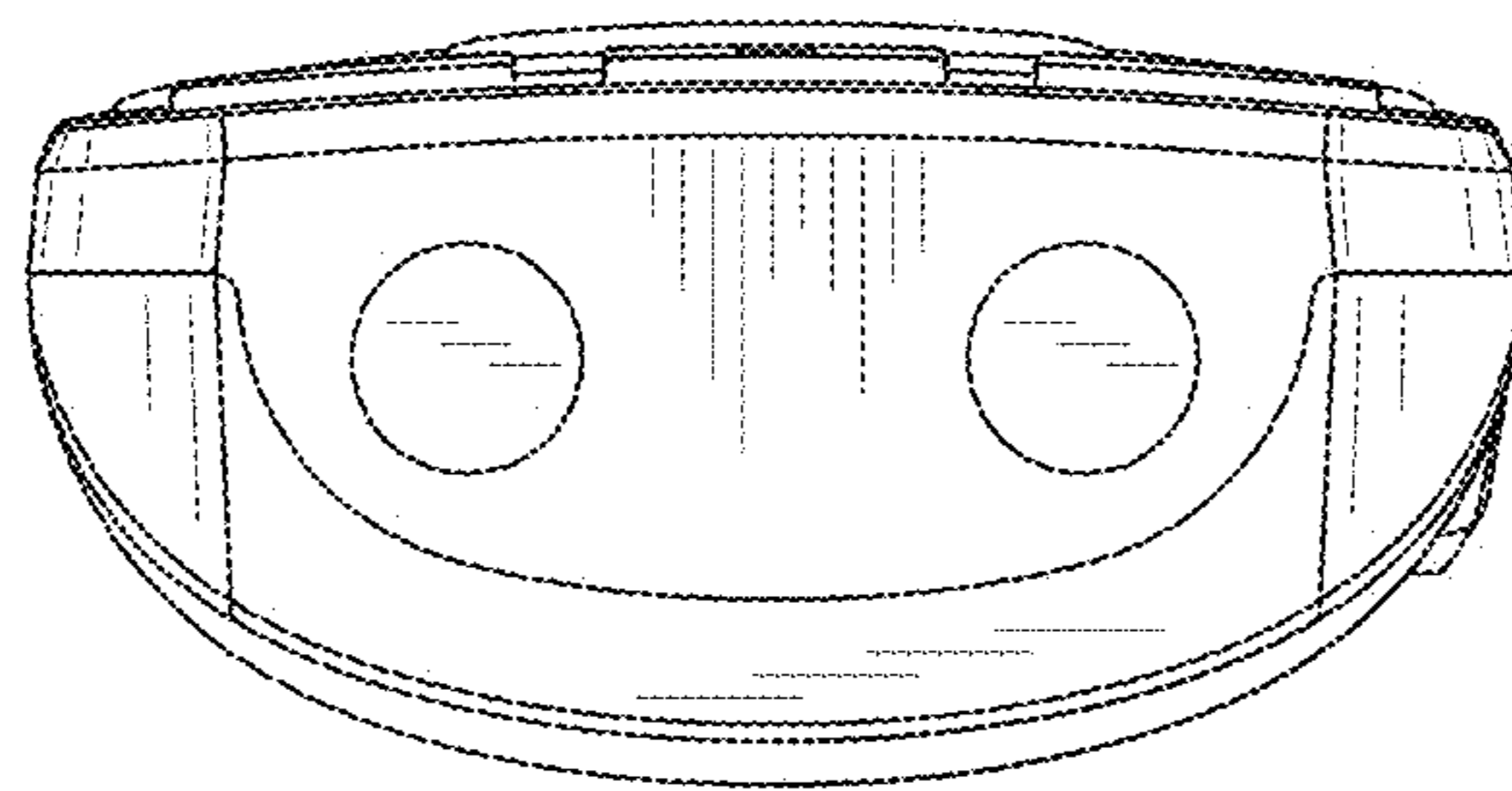


FIG. 6

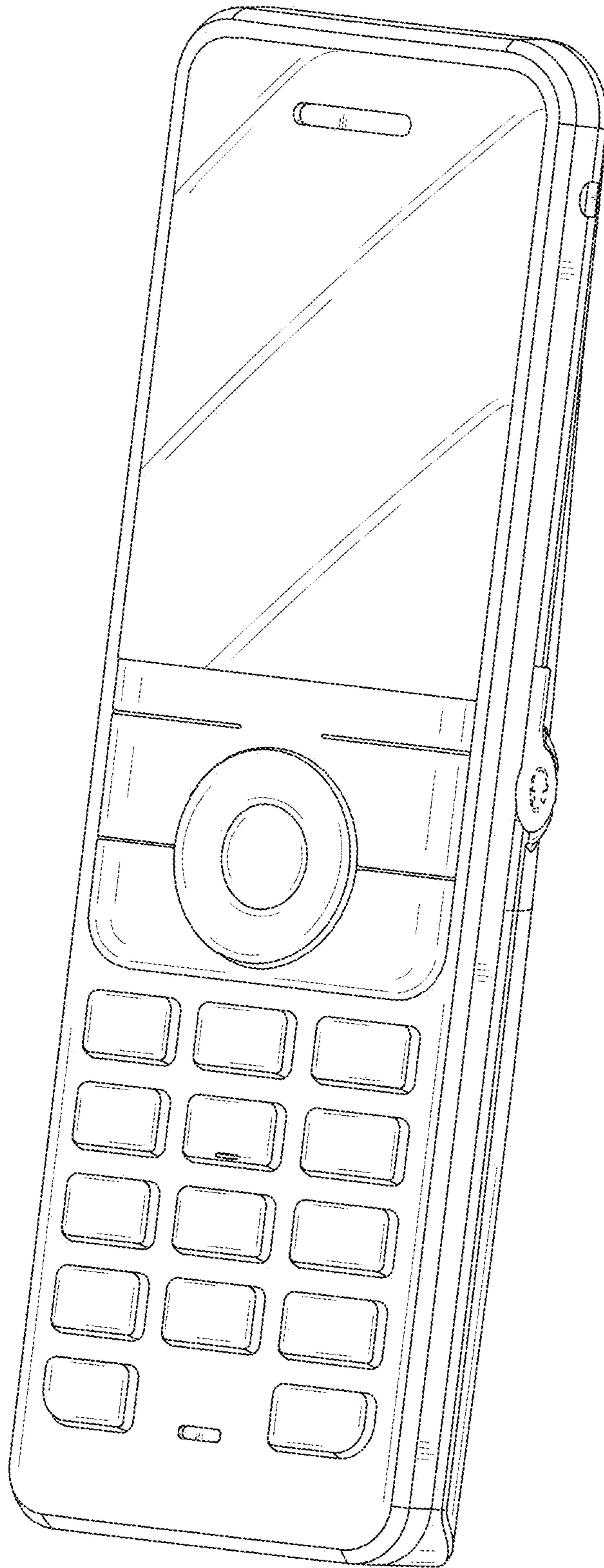


FIG. 7



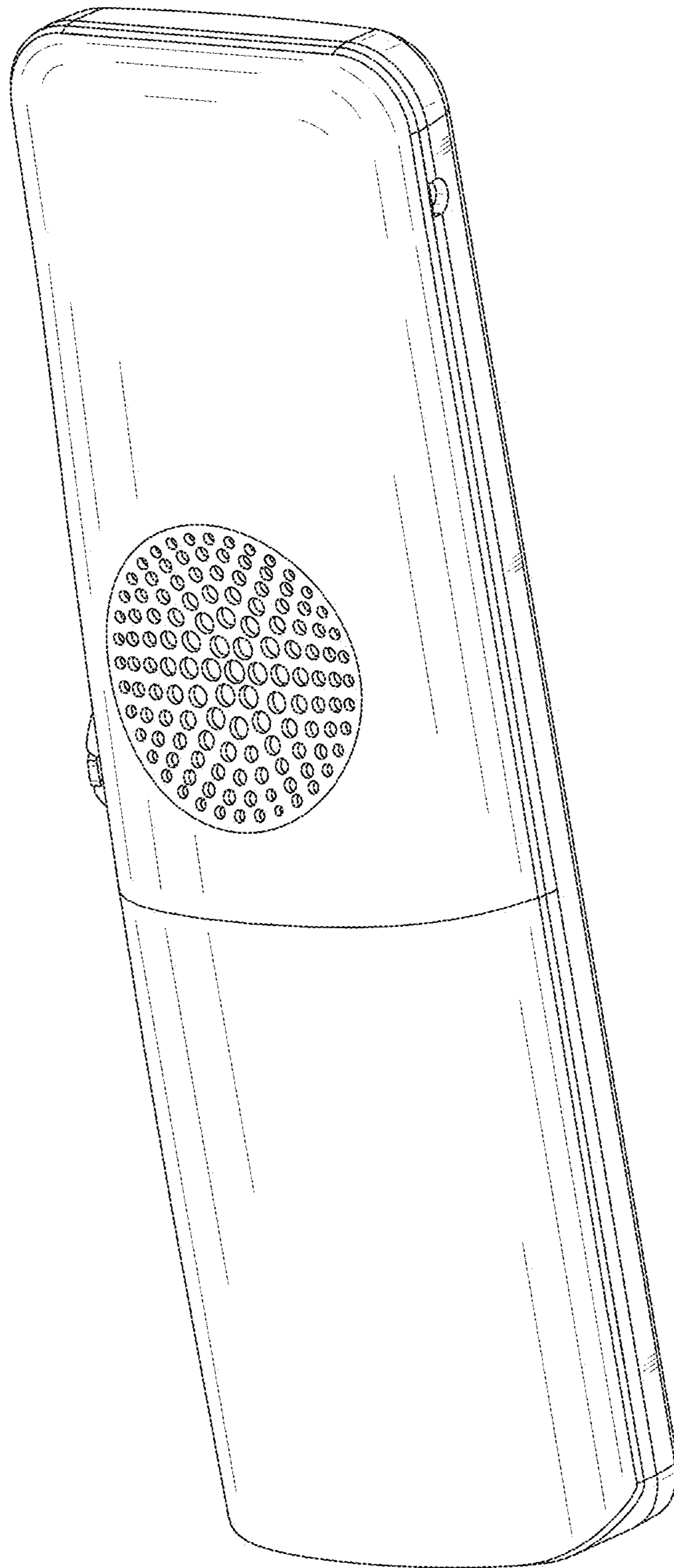


FIG.8

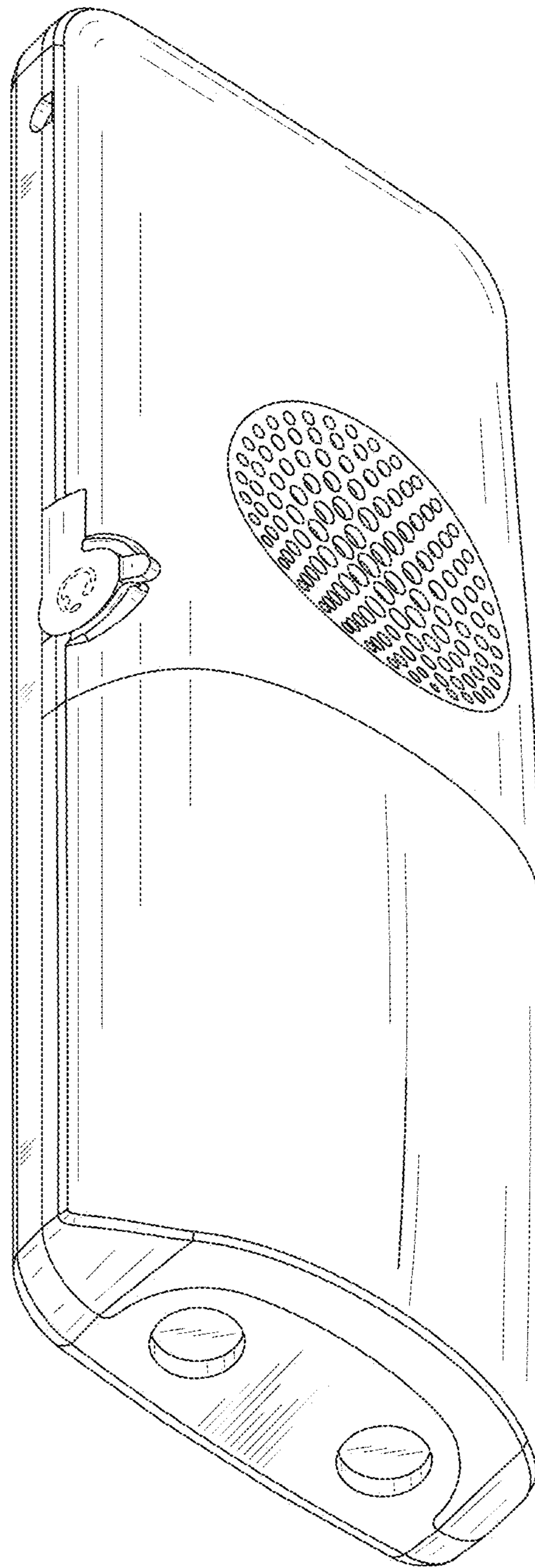


FIG.9