



US00D918162S

(12) **United States Design Patent**
He et al.

(10) **Patent No.:** **US D918,162 S**

(45) **Date of Patent:** **** May 4, 2021**

(54) **TELEVISION**

(71) Applicant: **SHENZHEN SKYWORTH-RGB ELECTRONIC CO., LTD.**, Shenzhen (CN)

(72) Inventors: **Jie He**, Shenzhen (CN); **Yi Liu**, Shenzhen (CN); **Xiangcheng Liu**, Shenzhen (CN); **Shuxiao Wei**, Shenzhen (CN); **Yangyang Zhang**, Shenzhen (CN); **Liyuan Peng**, Shenzhen (CN); **Mingming Wang**, Shenzhen (CN); **Tongyang Li**, Shenzhen (CN)

(73) Assignee: **SHENZHEN SKYWORTH-RGB ELECTRONIC CO., LTD.**, Shenzhen (CN)

(**) Term: **15 Years**

(21) Appl. No.: **29/701,473**

(22) Filed: **Aug. 12, 2019**

(30) **Foreign Application Priority Data**

Apr. 16, 2019 (CN) 201930174660.5

(51) **LOC (13) Cl.** **14-03**

(52) **U.S. Cl.**
USPC **D14/126**

(58) **Field of Classification Search**
USPC D14/125-137, 239, 314-316, 322, 326; D10/65
CPC G06F 1/16; G06F 1/1601; G06F 1/1637; H04N 5/64; H05K 5/0204; H05K 5/0017; H05K 5/0217
See application file for complete search history.

(56) **References Cited**

U.S. PATENT DOCUMENTS

D709,842 S * 7/2014 Lee D14/126
D723,528 S * 3/2015 Choi D14/239

D732,496 S * 6/2015 Mellingen D14/126
D780,707 S * 3/2017 Bang D14/126
D782,432 S * 3/2017 So D14/126
D788,087 S * 5/2017 Lee D14/239
D837,173 S * 1/2019 Lyngra D14/126

(Continued)

FOREIGN PATENT DOCUMENTS

CN 201830385513.8 * 6/2019
CN 201930174660.5 * 11/2019
CN 201930543189.2 * 6/2020

(Continued)

OTHER PUBLICATIONS

Good Design Award, 2019 [online], [retrieved Sep. 11, 2020], Retrieved from Internet, URL: <<https://www.g-mark.org/award/describe/48878>> (Year: 2019).*

Primary Examiner — Barbara Fox

Assistant Examiner — Aram Kwon

(74) *Attorney, Agent, or Firm* — Anova Law Group, PLLC

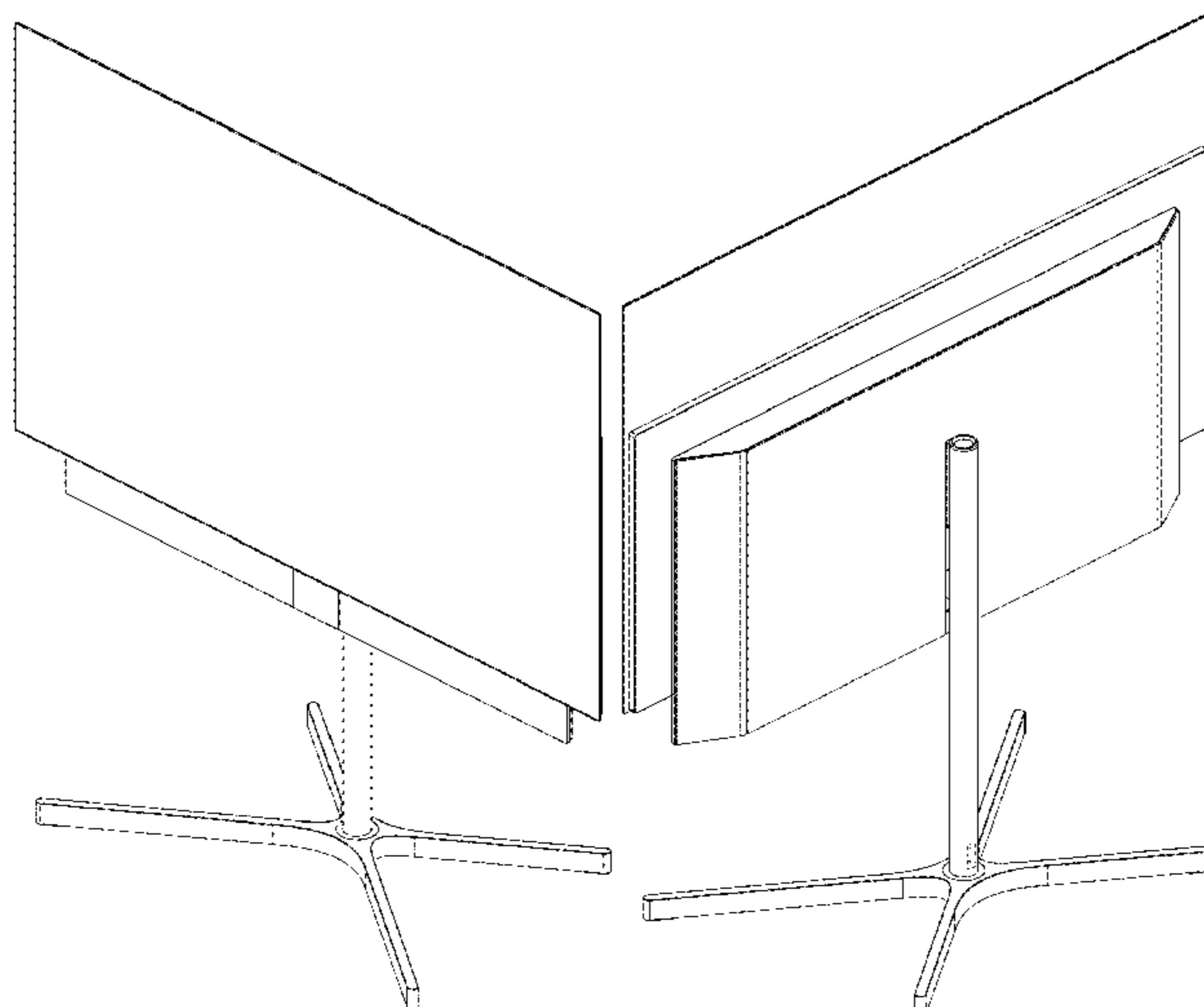
(57) **CLAIM**

The ornamental design for a television, as shown and described.

DESCRIPTION

FIG. 1 is a perspective view of a television showing our new design;
FIG. 2 is another perspective view thereof;
FIG. 3 is a front elevation view thereof;
FIG. 4 is a back elevation view thereof;
FIG. 5 is a left elevation view thereof;
FIG. 6 is a right elevation view thereof;
FIG. 7 is a top plan view thereof; and,
FIG. 8 is a bottom plan view thereof.
The broken lines in FIGS. 2, 4, and 8 depict portions of the television that form no part of the claimed design.

1 Claim, 8 Drawing Sheets



(56)

References Cited

U.S. PATENT DOCUMENTS

2019/0309894 A1* 10/2019 Hasegawa F16M 11/046

FOREIGN PATENT DOCUMENTS

CN	201930746908.0	*	7/2020
CN	202030280518.1	*	8/2020
EM	006654745-0001	*	8/2019
JP	D2016-27163	*	8/2017
KR	3020180033796	*	9/2019

* cited by examiner

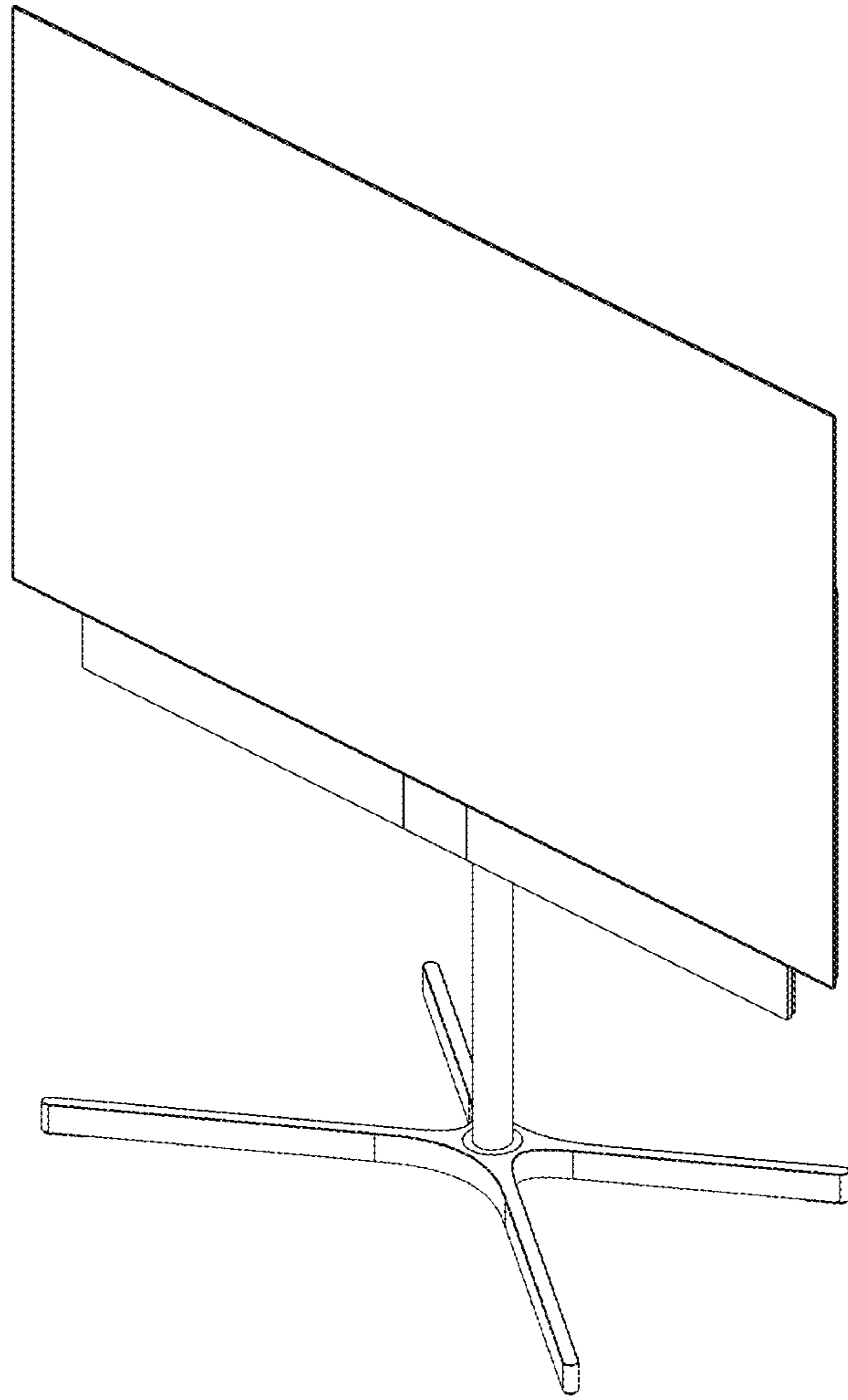


FIG. 1

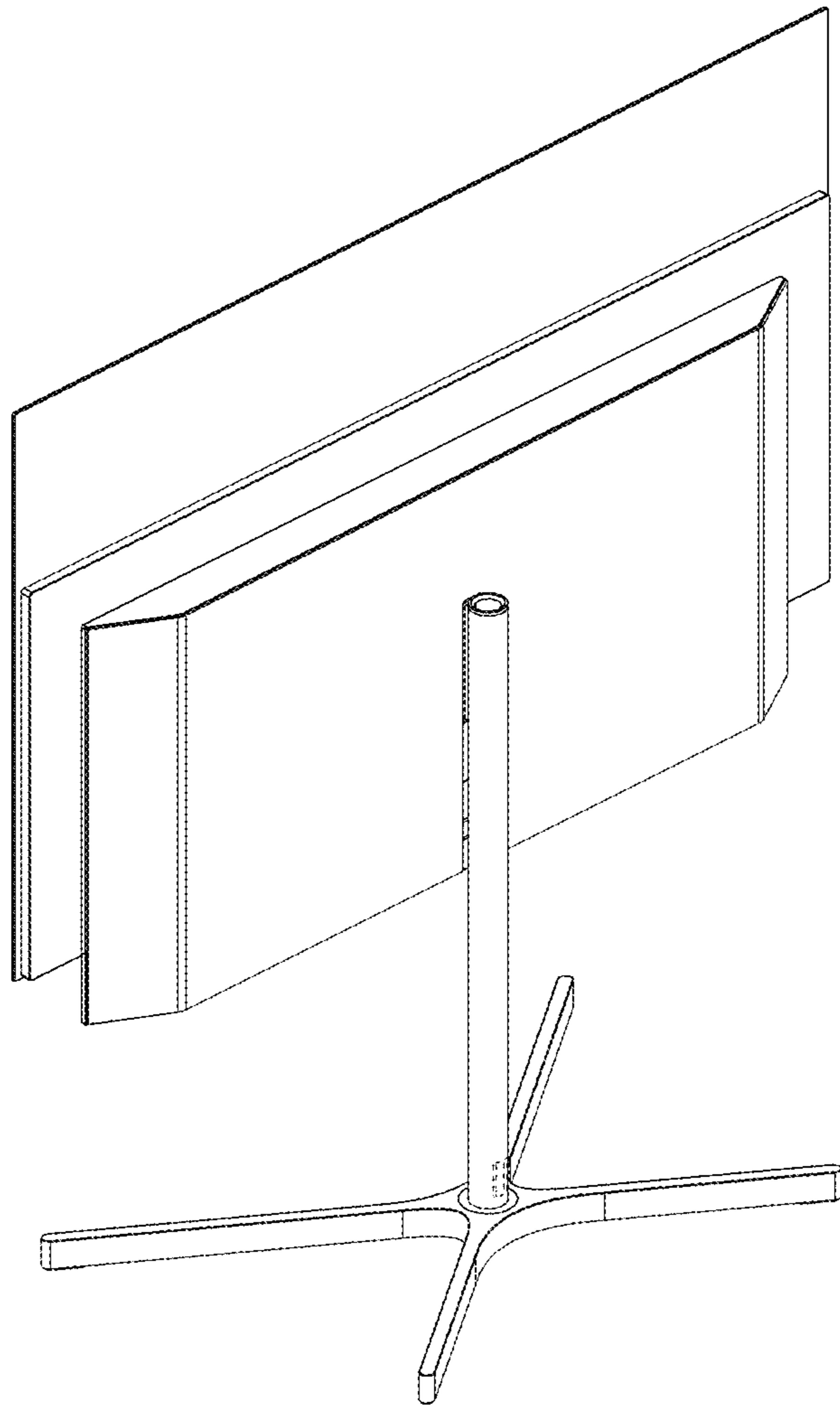


FIG. 2

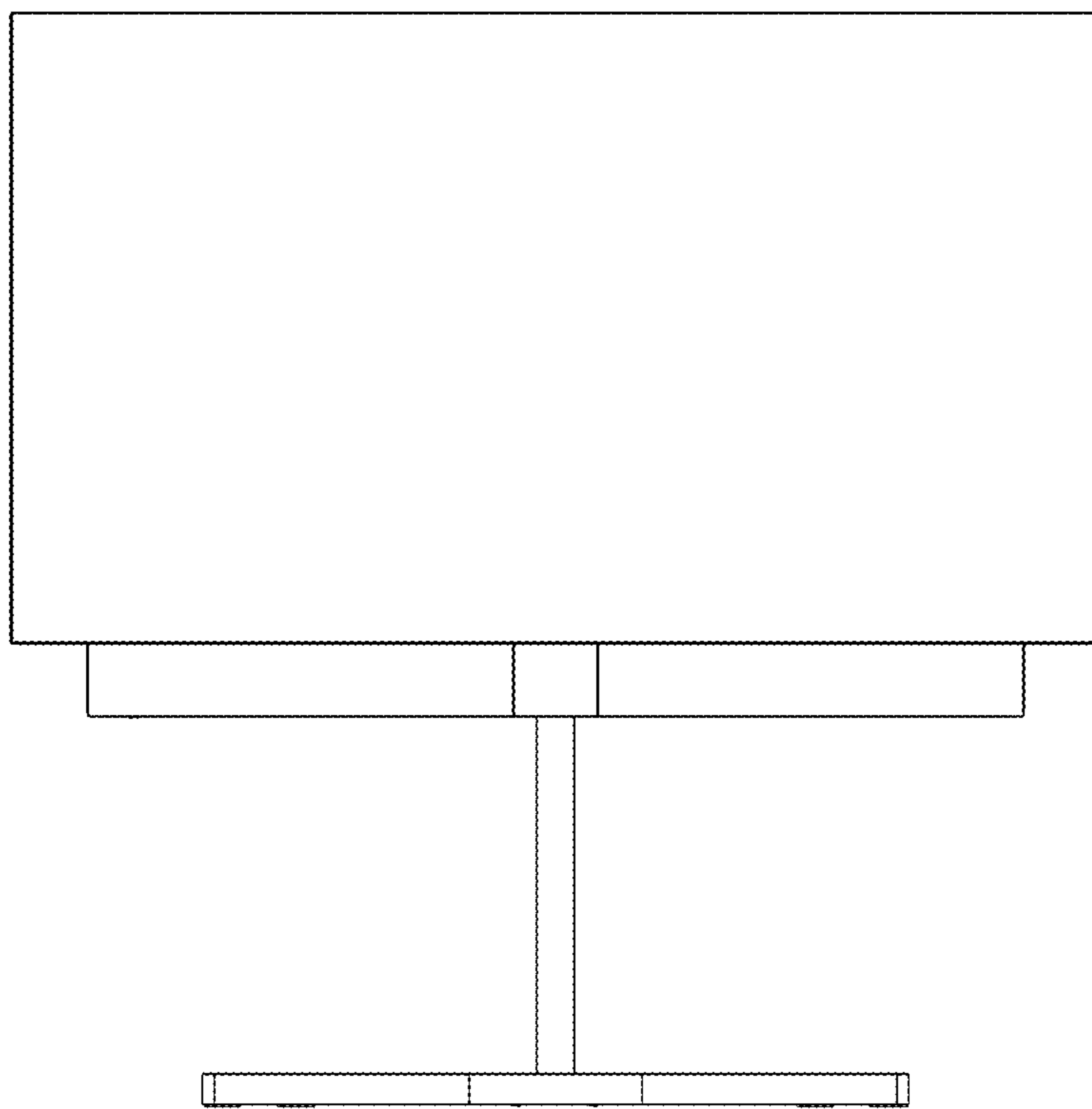


FIG. 3

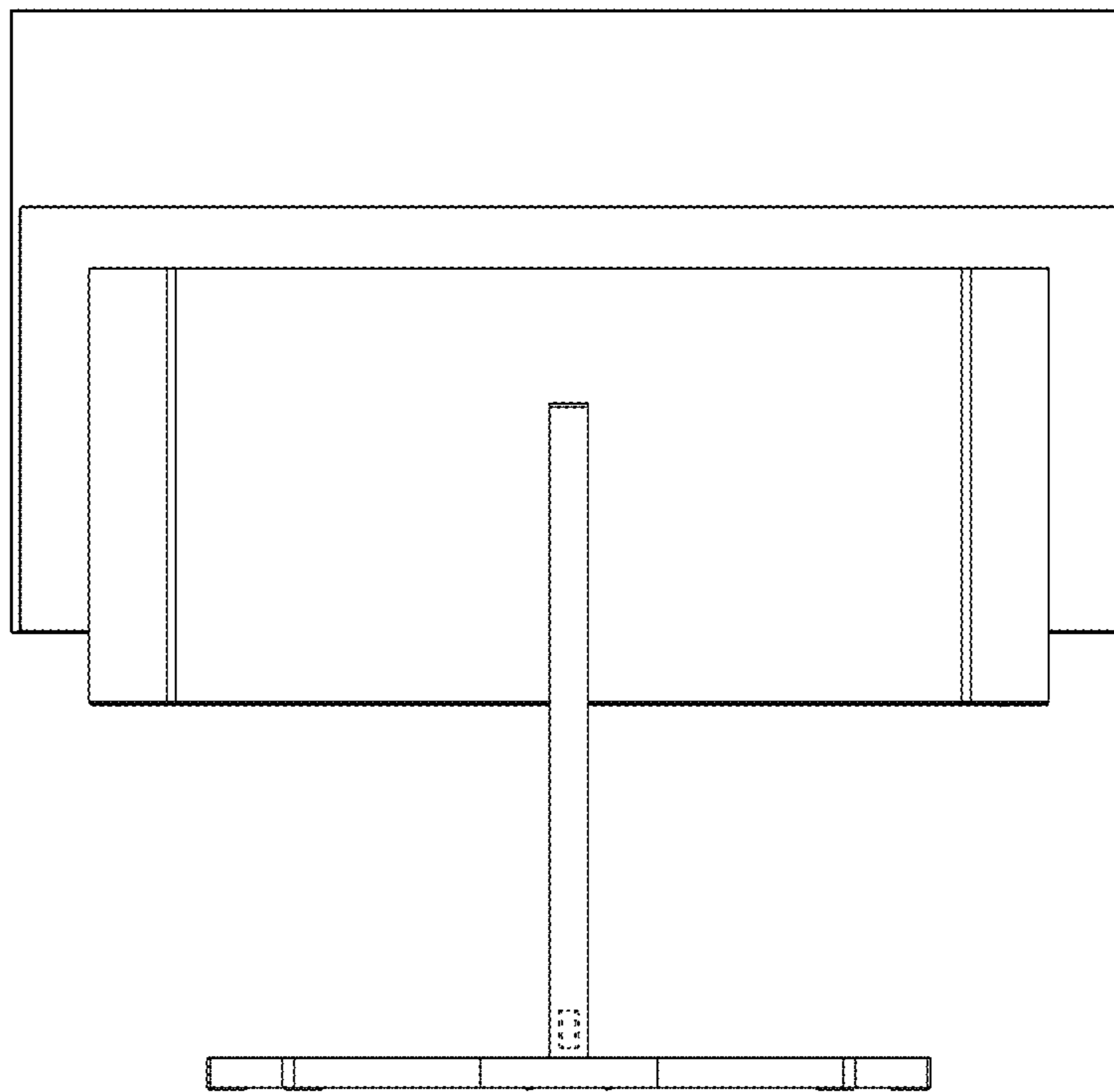


FIG. 4

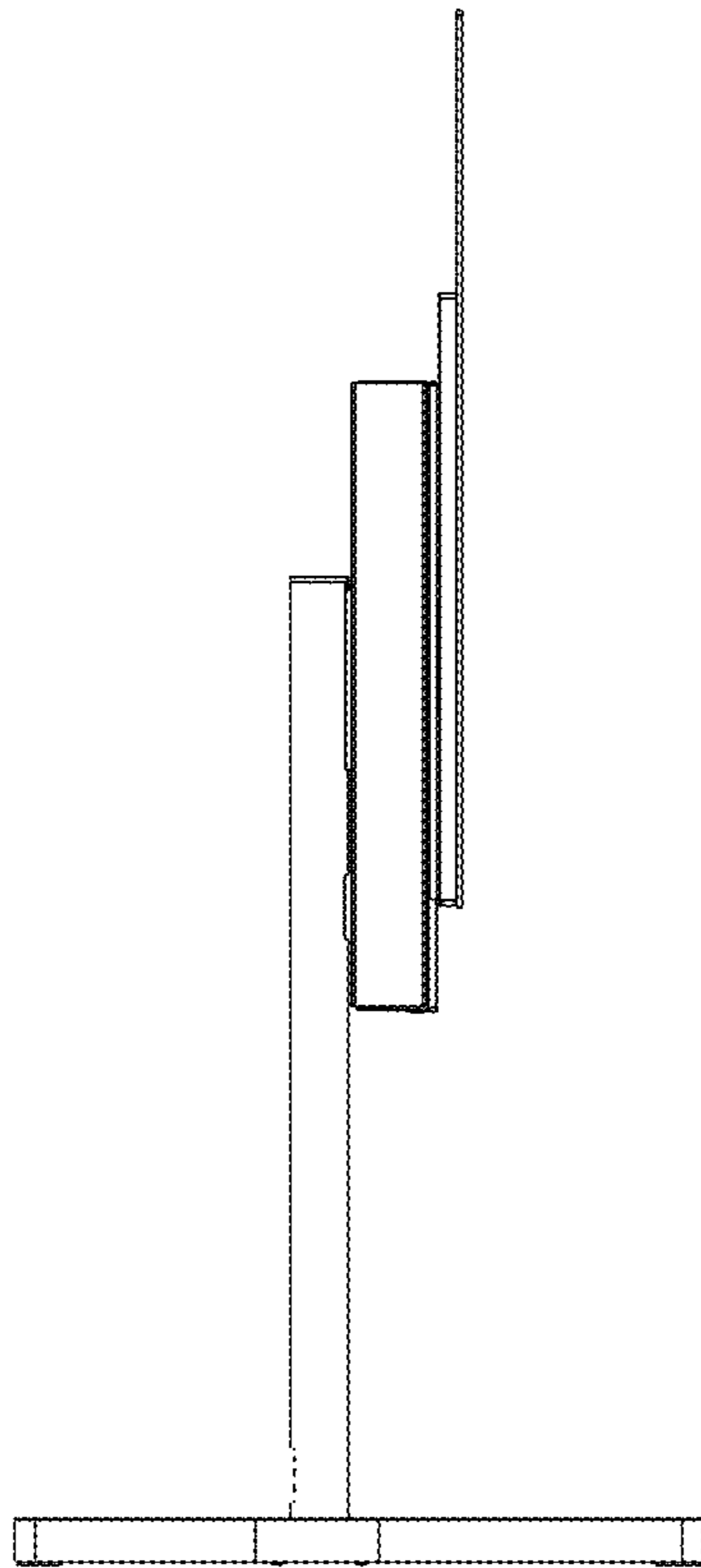


FIG. 5

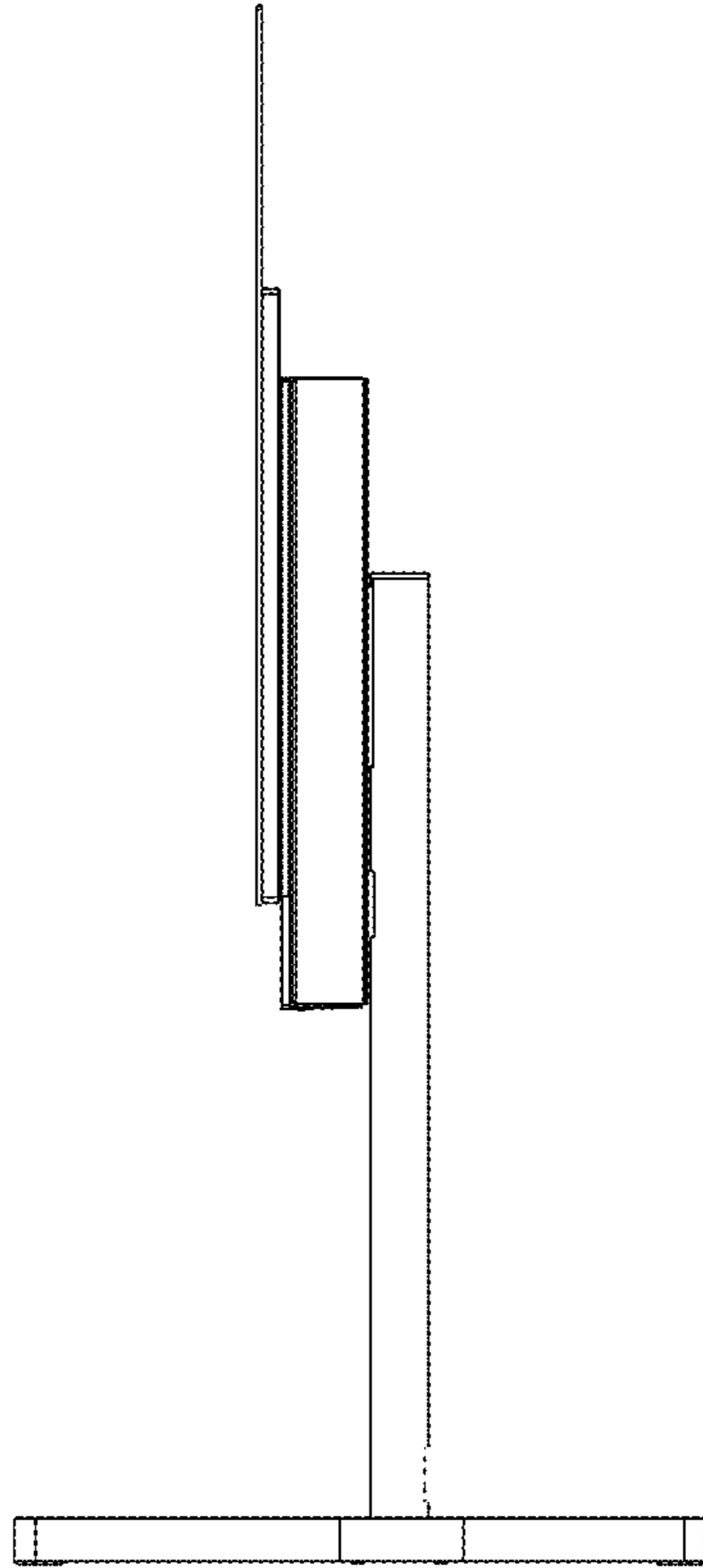


FIG. 6

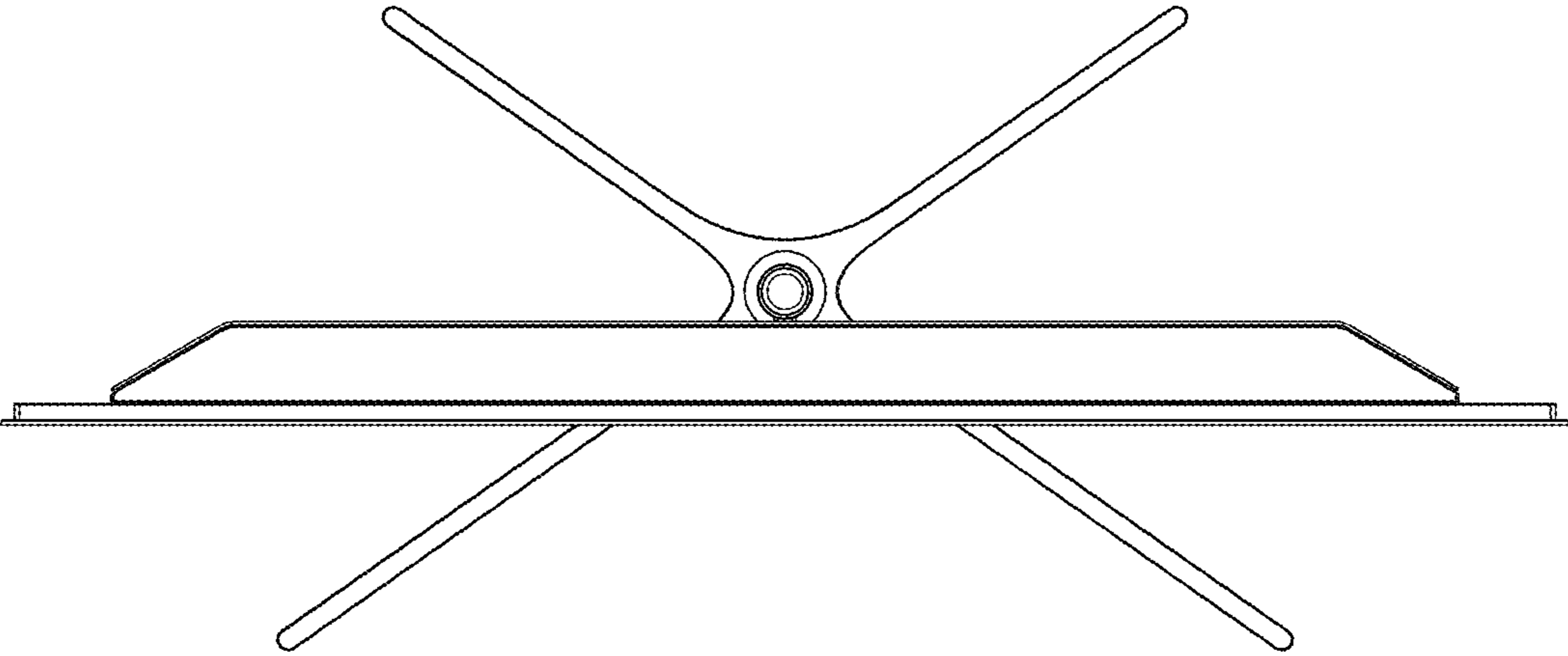


FIG. 7

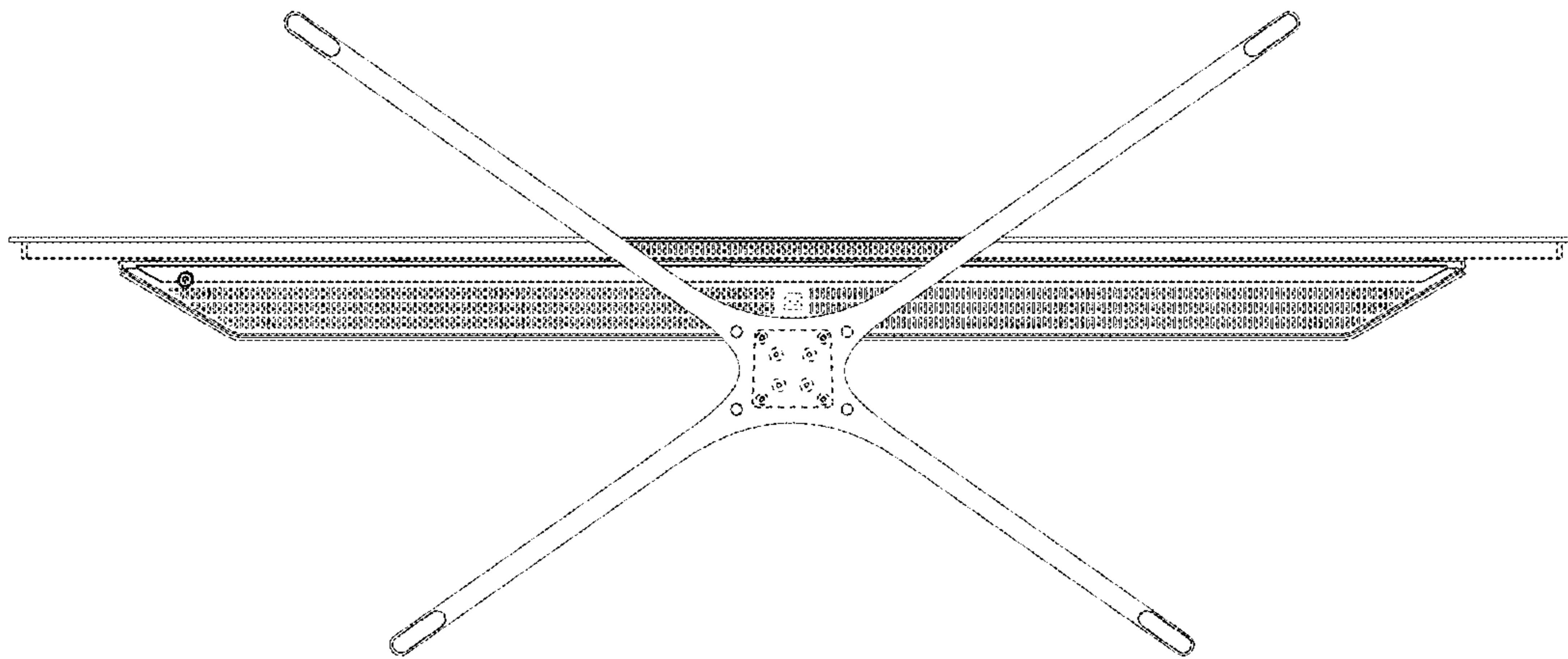


FIG. 8