



US00D918160S

(12) **United States Design Patent**
Yang

(10) **Patent No.:** **US D918,160 S**

(45) **Date of Patent:** **** May 4, 2021**

(54) **HEAT SINK**

(71) Applicant: **ALL BEST PRECISION TECHNOLOGY CO., LTD.**, Taoyuan (TW)

(72) Inventor: **Haven Yang**, Taoyuan (TW)

(73) Assignee: **ALL BEST PRECISION TECHNOLOGY CO., LTD.**, Taoyuan (TW)

(**) Term: **15 Years**

(21) Appl. No.: **29/720,619**

(22) Filed: **Jan. 14, 2020**

(51) **LOC (13) Cl.** **13-03**

(52) **U.S. Cl.**
USPC **D13/179**

(58) **Field of Classification Search**
USPC D13/179, 145
CPC . F28D 15/0275; F28D 21/0003; F02M 26/32;
F28F 1/025; F28F 21/00
See application file for complete search history.

(56) **References Cited**

U.S. PATENT DOCUMENTS

- 5,771,153 A * 6/1998 Sheng H01L 23/4093
165/185
- D398,589 S * 9/1998 Dodson D13/179
- 5,864,464 A * 1/1999 Lin H01L 23/467
361/697
- 5,932,925 A * 8/1999 McIntyre H01L 23/4093
257/719
- 5,946,190 A * 8/1999 Patel F28F 3/02
361/700
- 6,195,893 B1 * 3/2001 Kataoka B21C 23/04
29/557
- D450,044 S * 11/2001 Lindstrom D13/179

- D481,017 S * 10/2003 Hsia H01L 23/4093
D13/179
- D672,322 S * 12/2012 Lin H01L 23/467
D13/179
- D672,728 S * 12/2012 Lin F28F 3/06
D13/179

(Continued)

FOREIGN PATENT DOCUMENTS

JP D1091551 * 11/2000

Primary Examiner — Rosemary K Tarcza

Assistant Examiner — Seth David Kumpf

(74) *Attorney, Agent, or Firm* — Winston Hsu

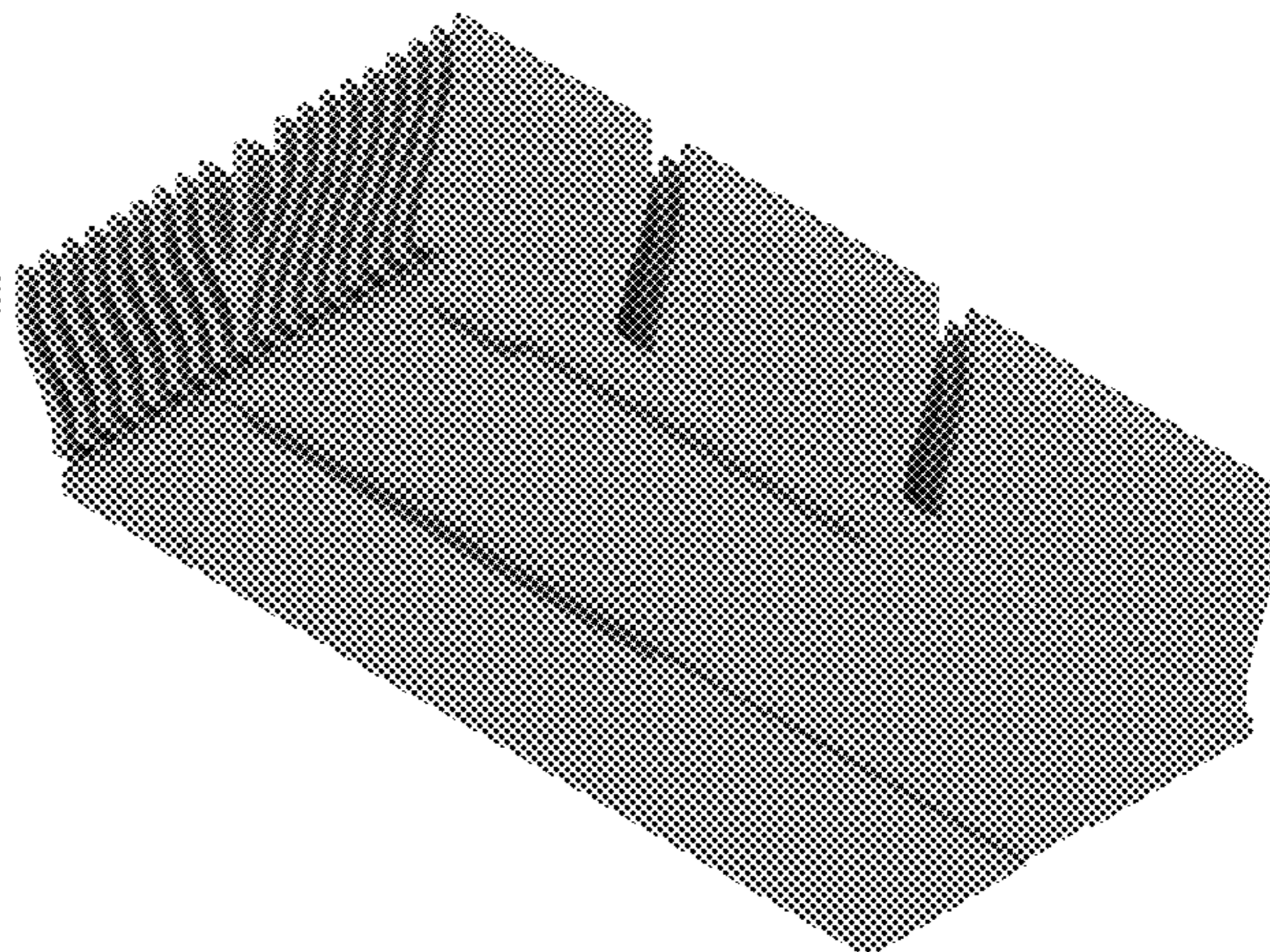
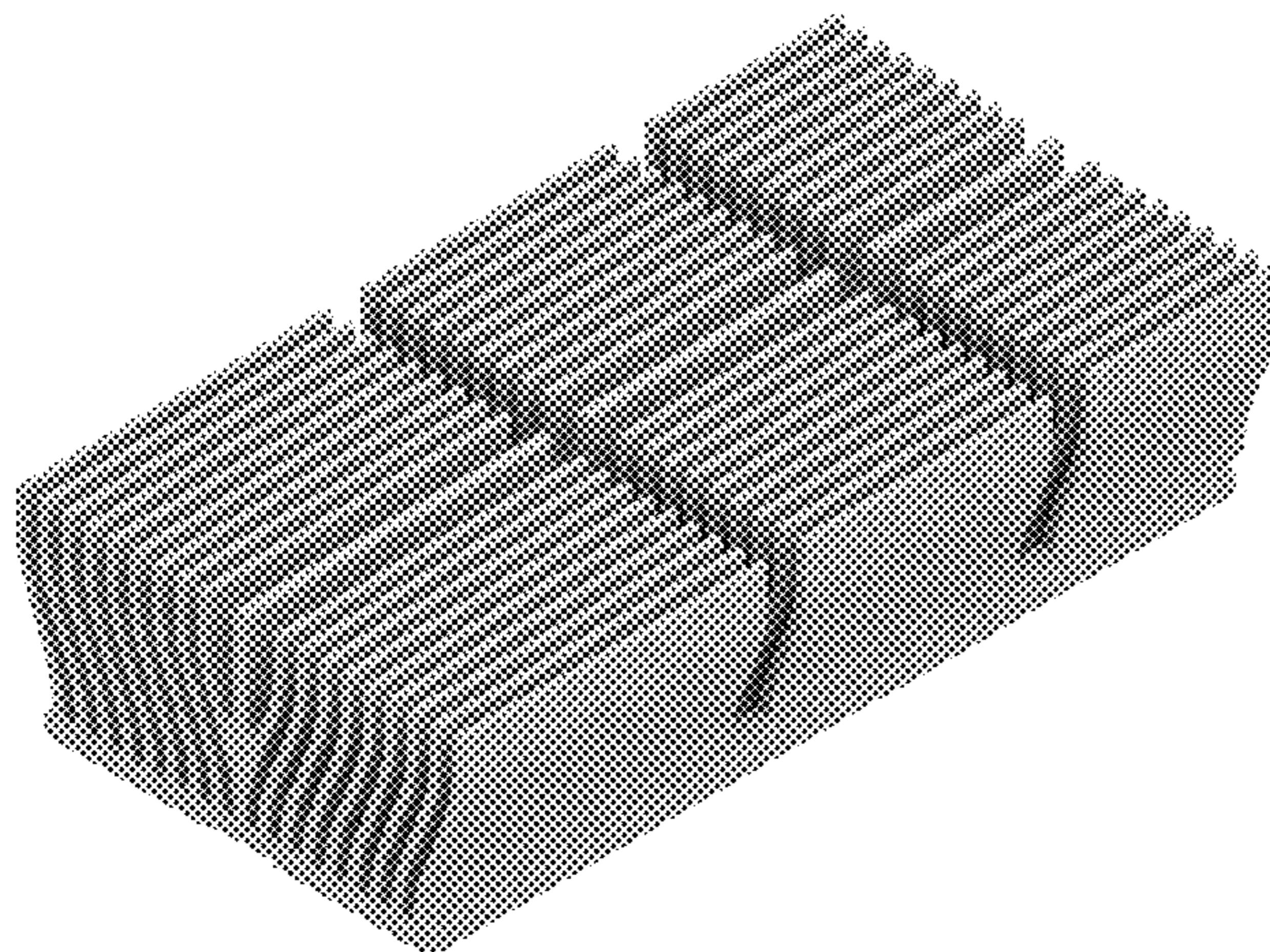
(57) **CLAIM**

The ornamental design for a heat sink, as shown and described.

DESCRIPTION

FIG. 1 is a top, front, and right side perspective view for a heat sink showing my new design;
 FIG. 2 is a top, front, and left side perspective view thereof;
 FIG. 3 is a top, rear, and left side perspective view thereof;
 FIG. 4 is a top, rear, and right side perspective view thereof;
 FIG. 5 is a bottom, front, and right side perspective view thereof;
 FIG. 6 is a bottom, front, and left side perspective view thereof;
 FIG. 7 is a bottom, rear, and left side perspective view thereof;
 FIG. 8 is a bottom, rear, and right side perspective view thereof;
 FIG. 9 is a front elevation view thereof;
 FIG. 10 is a rear elevation view thereof;
 FIG. 11 is a left side elevation view thereof;
 FIG. 12 is a right side elevation view thereof;
 FIG. 13 is a top plan view thereof; and,
 FIG. 14 is a bottom plan view thereof.

1 Claim, 14 Drawing Sheets



(56)

References Cited

U.S. PATENT DOCUMENTS

D672,730 S * 12/2012 Lin H01L 23/4006
D13/179
D698,740 S * 2/2014 Schubert H01L 23/4093
D13/179
2011/0290449 A1* 12/2011 Huang F28F 1/325
165/104.26
2013/0105112 A1* 5/2013 Gan F28F 3/06
165/67
2013/0146252 A1* 6/2013 Yang H01L 23/4006
165/67
2013/0163207 A1* 6/2013 Chen H01L 23/4006
361/720
2013/0250523 A1* 9/2013 Lai H01L 23/4093
361/720
2014/0248081 A1* 9/2014 Too H01L 23/4093
403/374.1
2017/0265331 A1* 9/2017 Liang H01L 23/4093

* cited by examiner

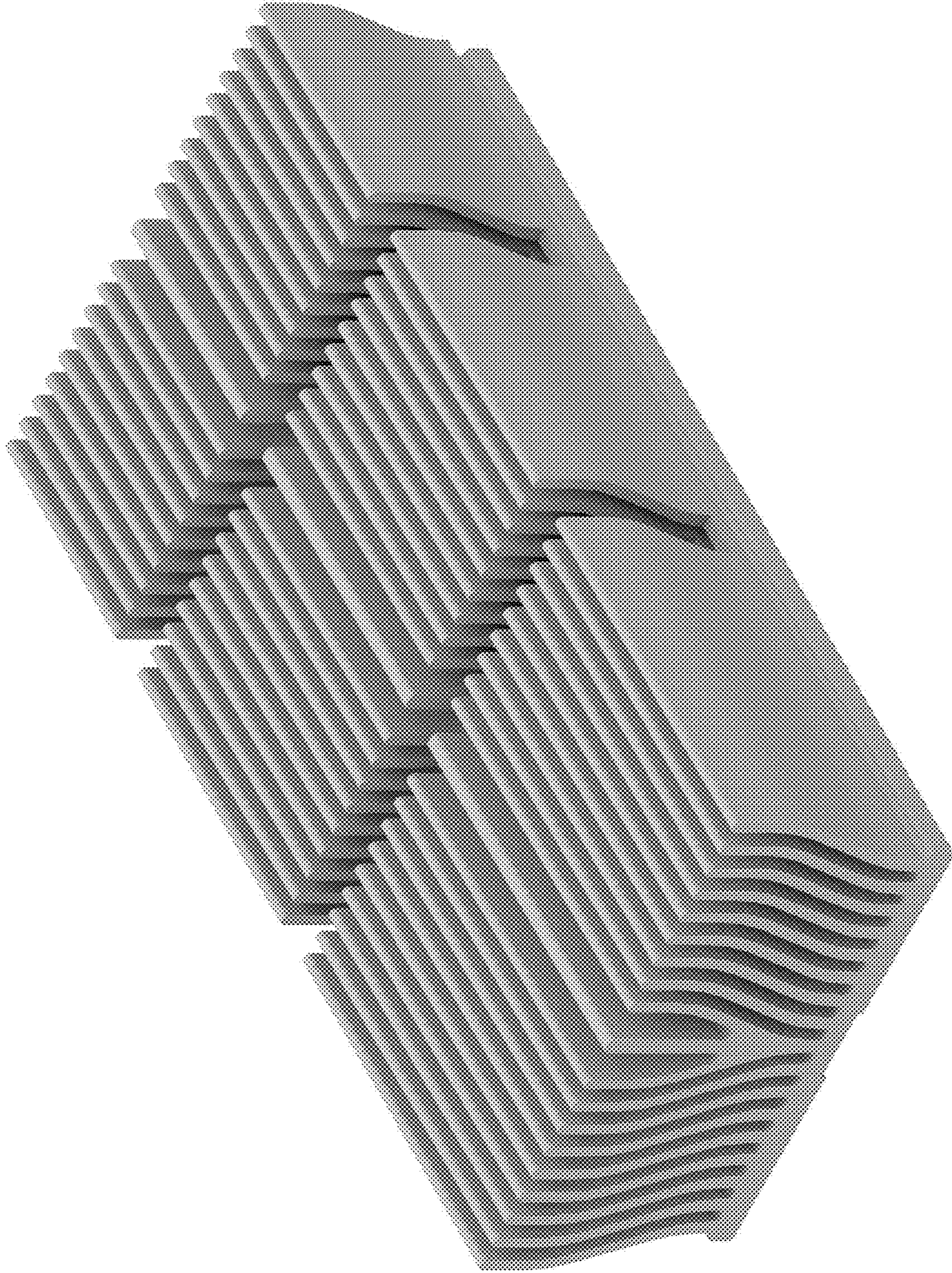


FIG. 1

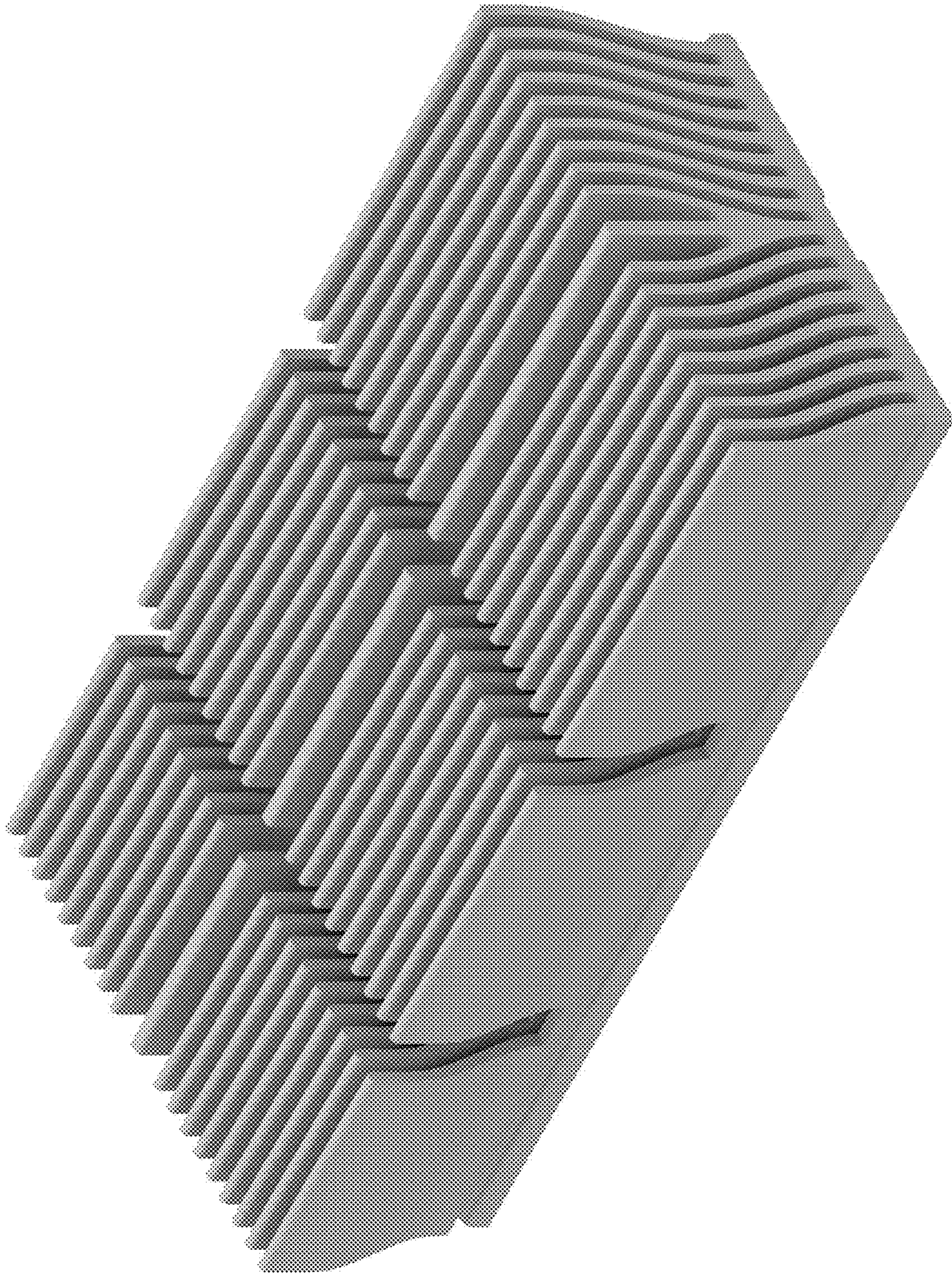


FIG. 2

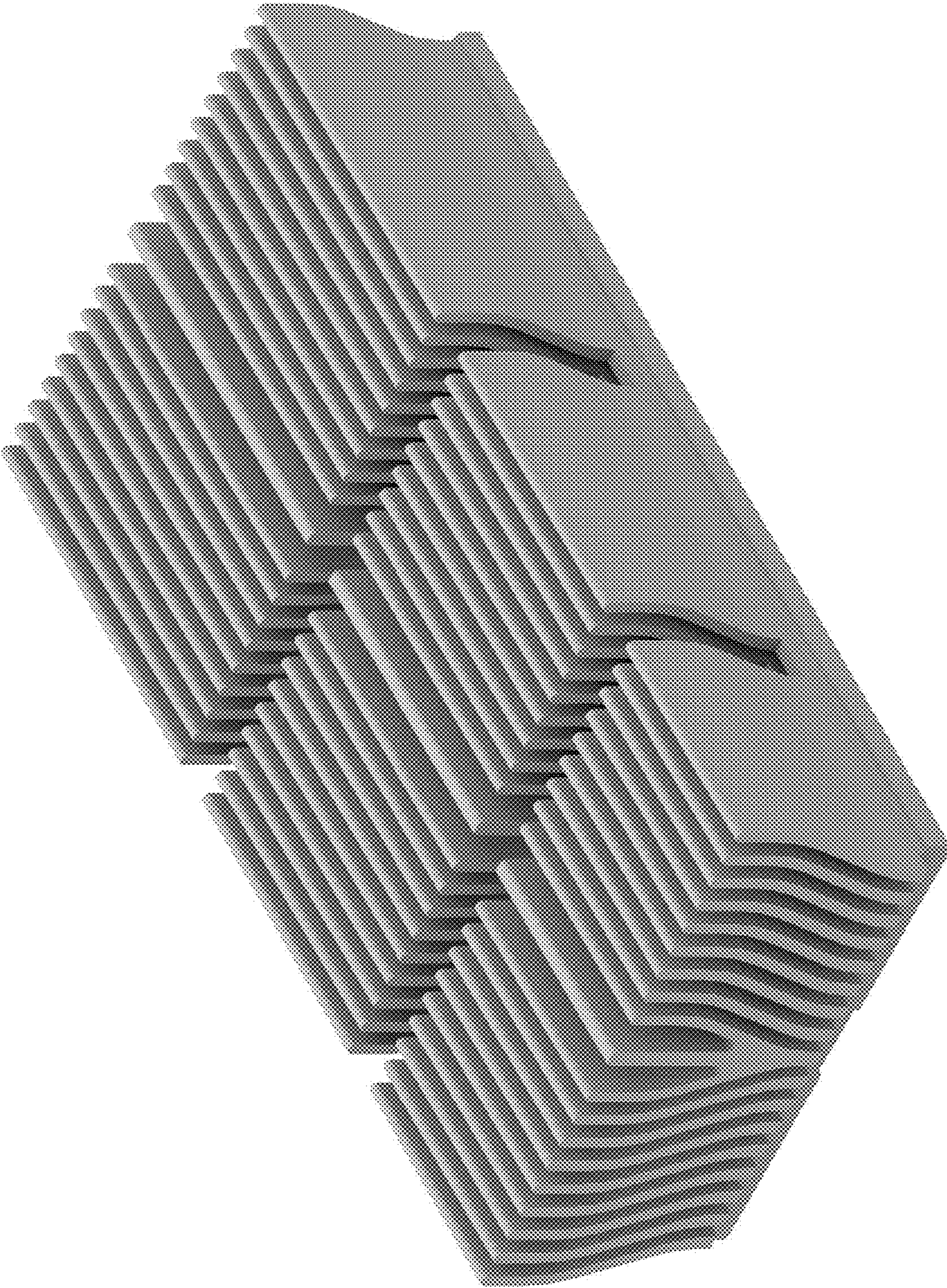


FIG. 3

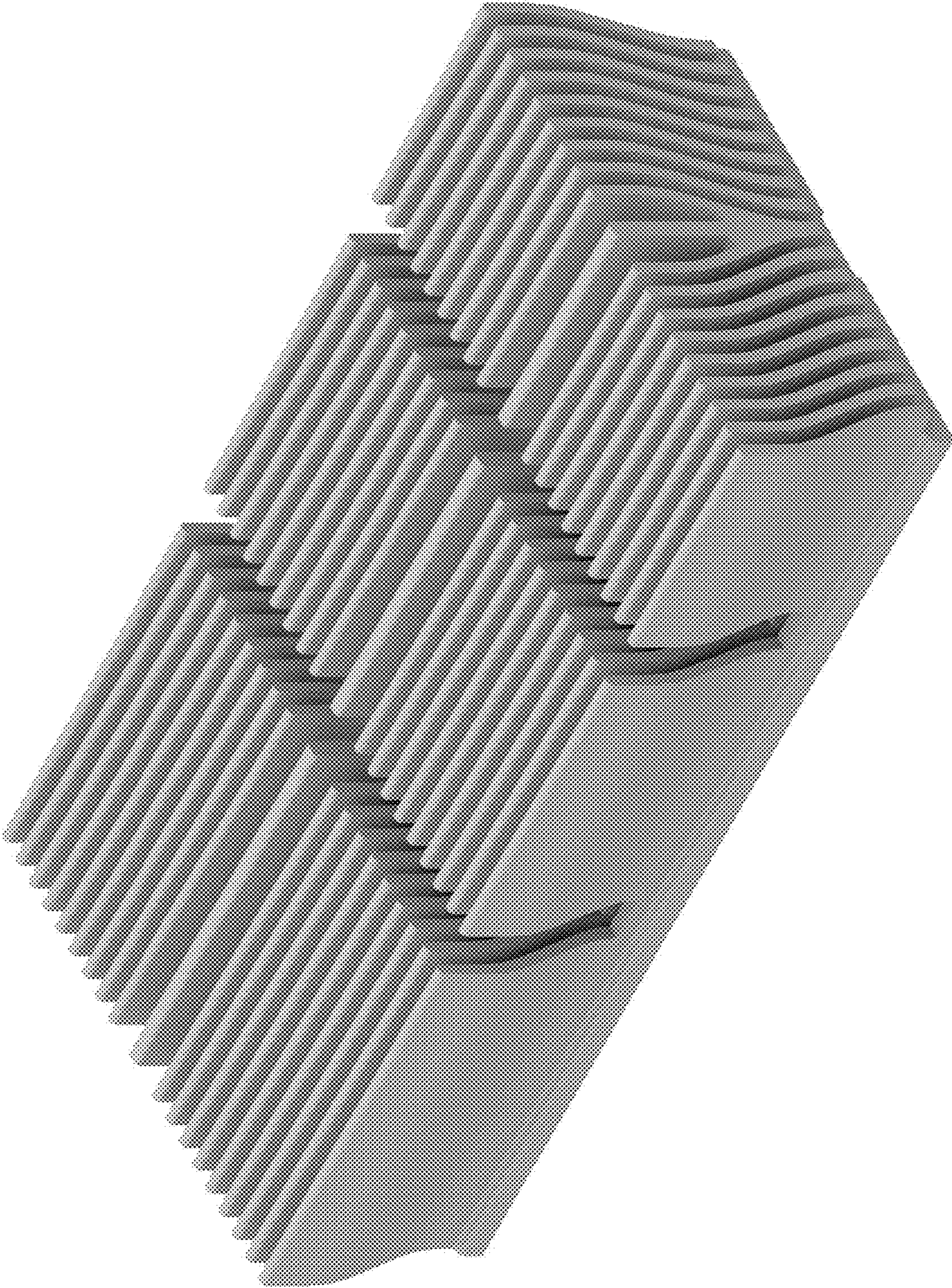


FIG. 4

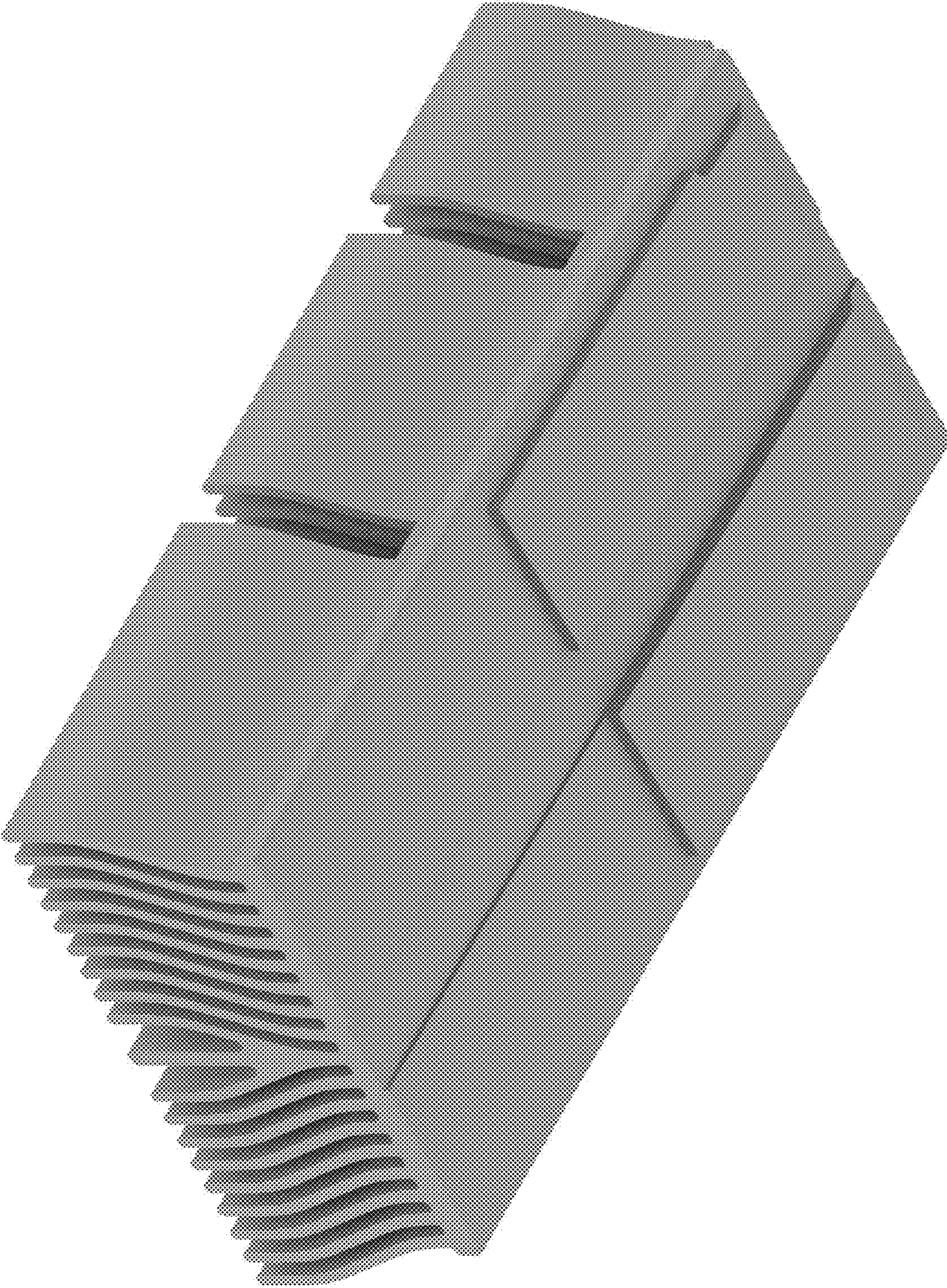


FIG. 5

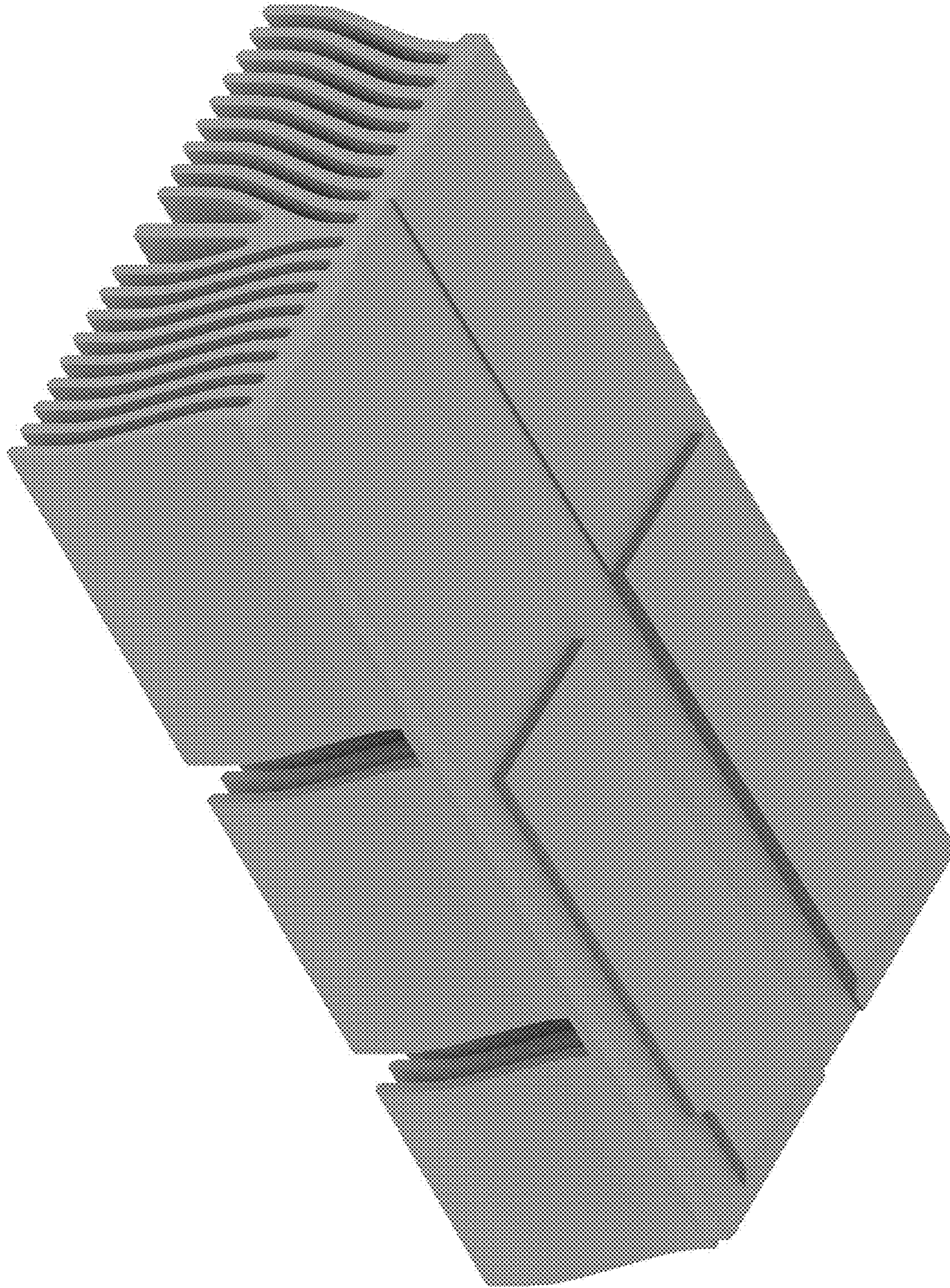


FIG. 6

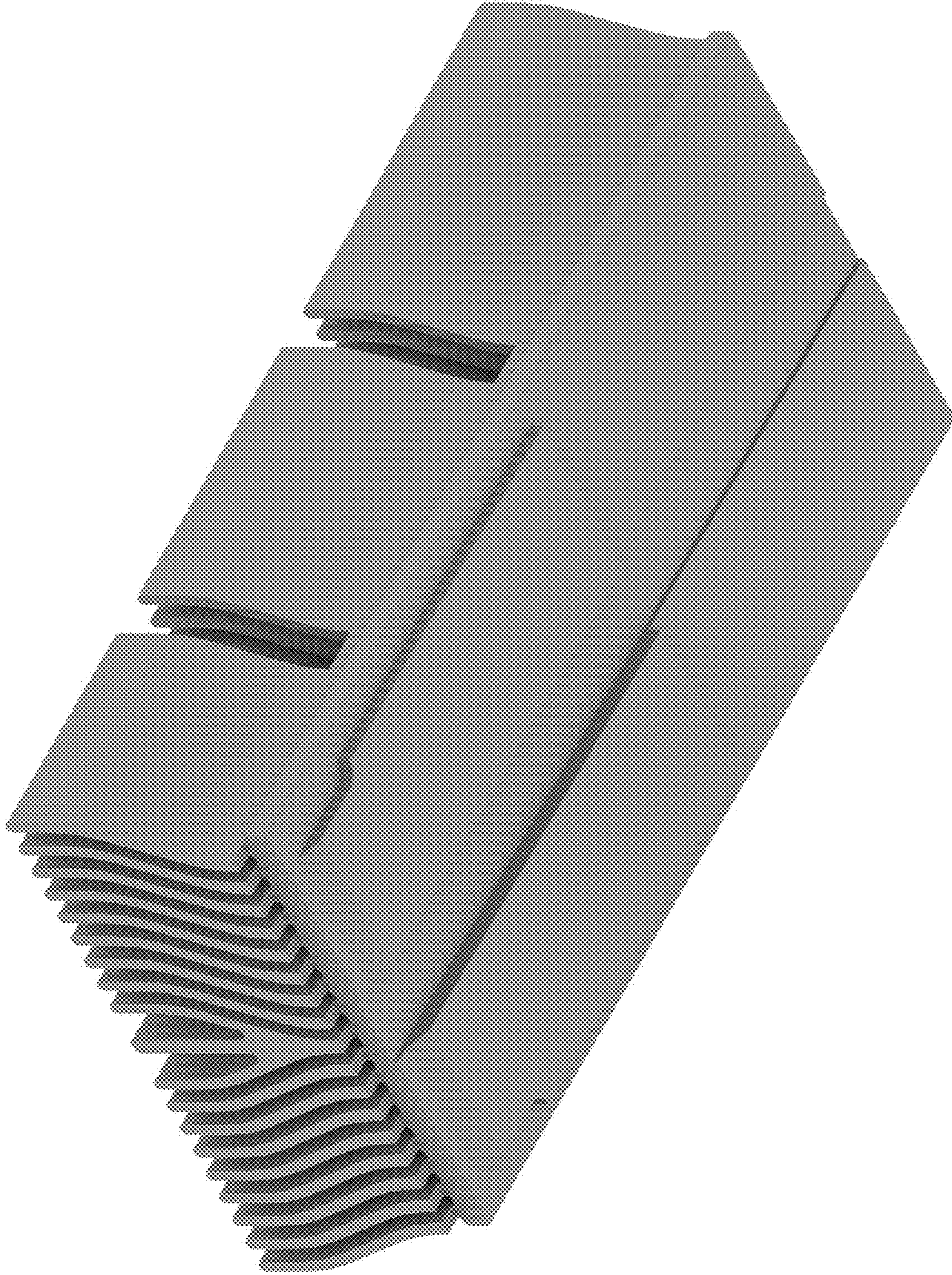


FIG. 7

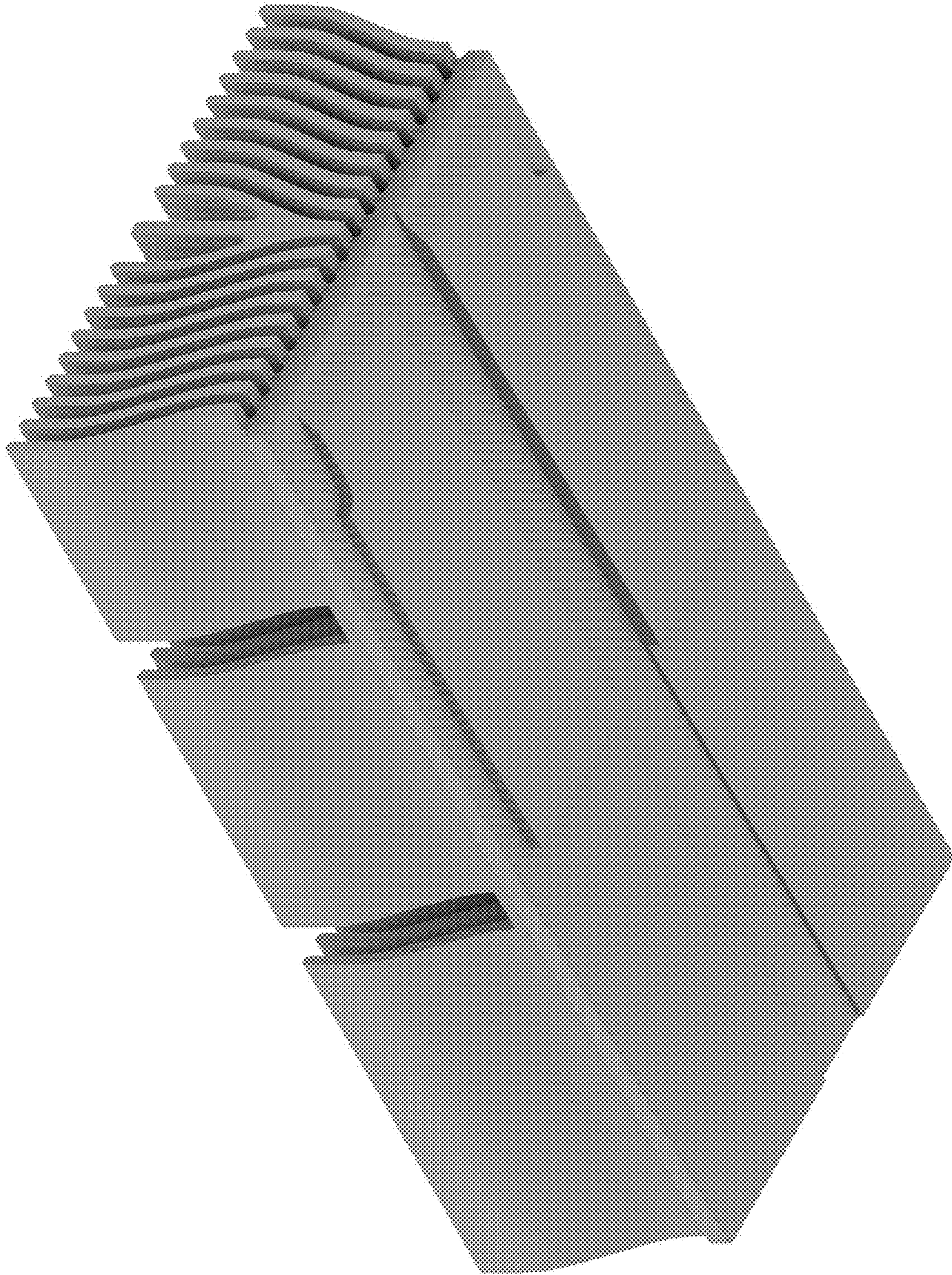


FIG. 8

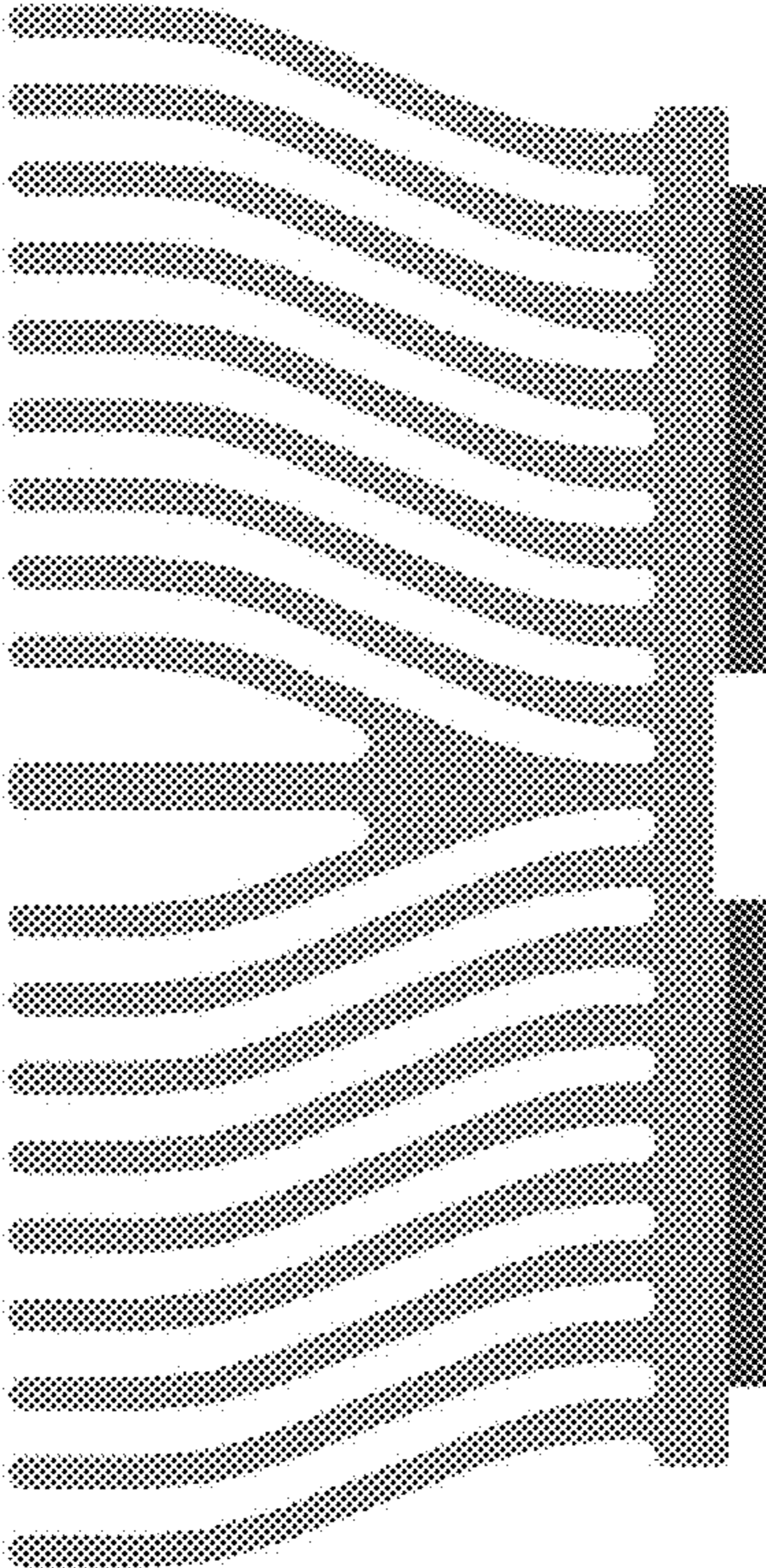


FIG. 9

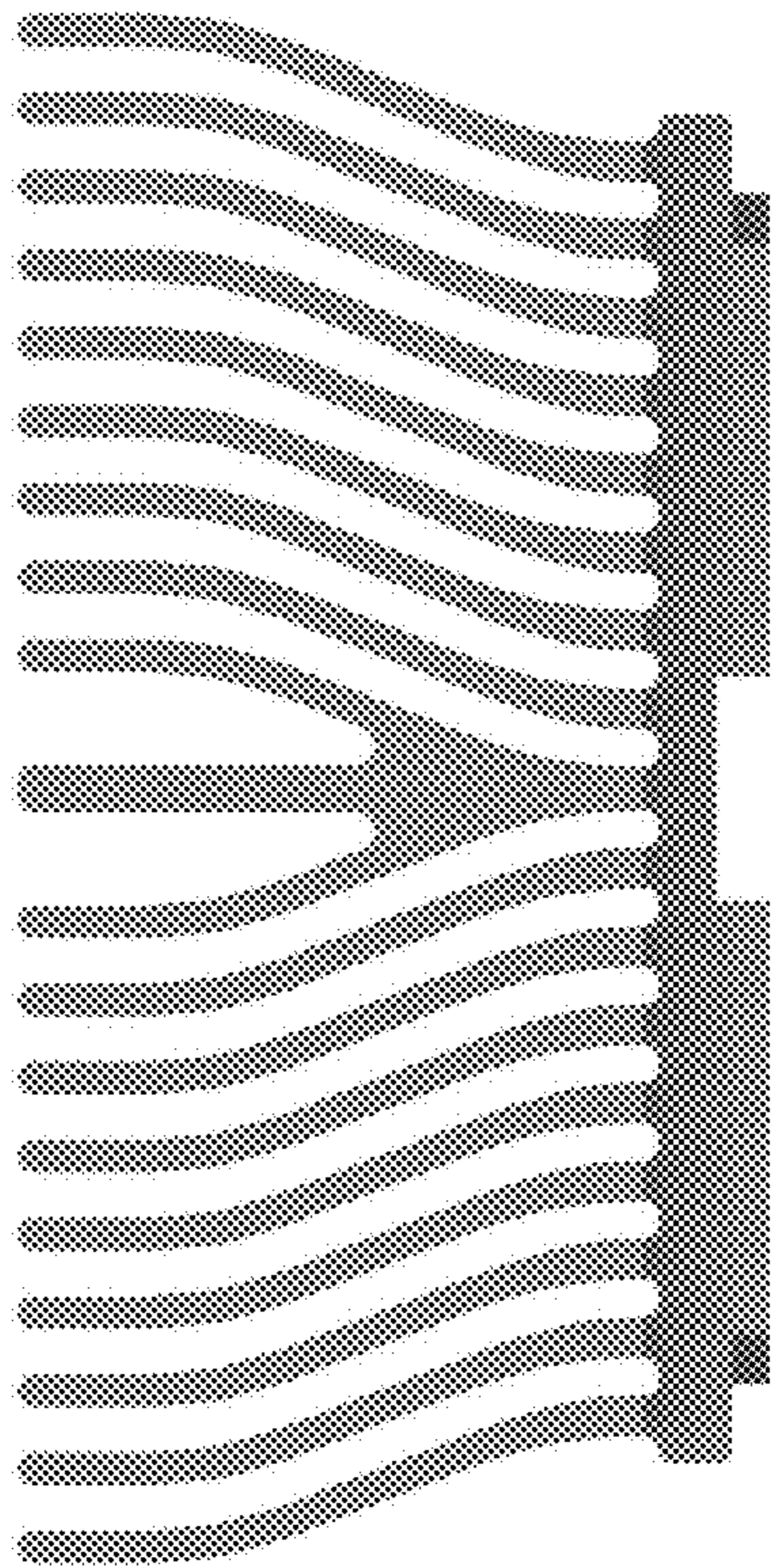


FIG. 10

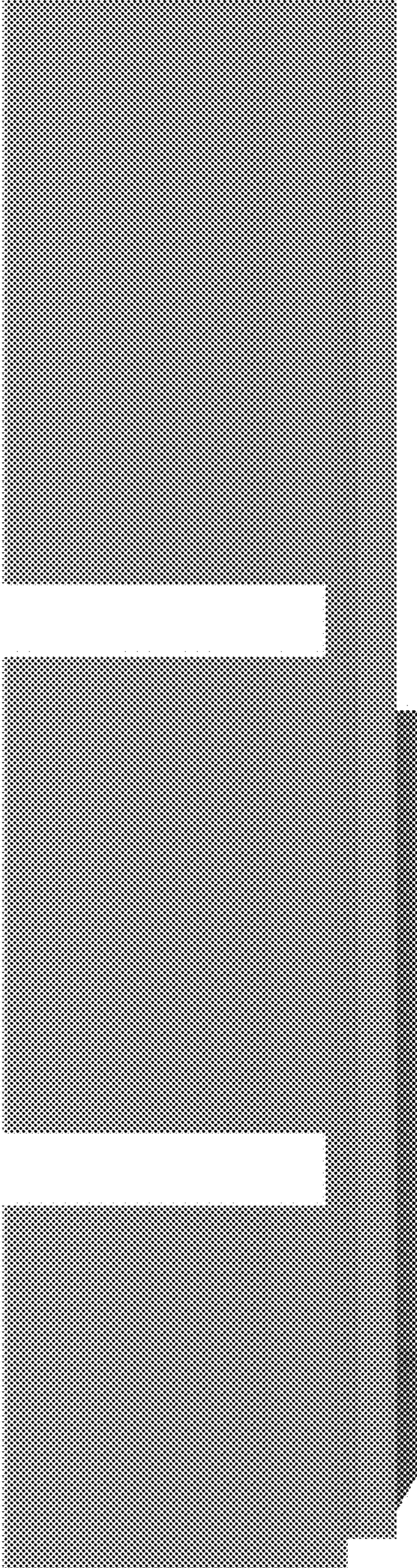


FIG. 11

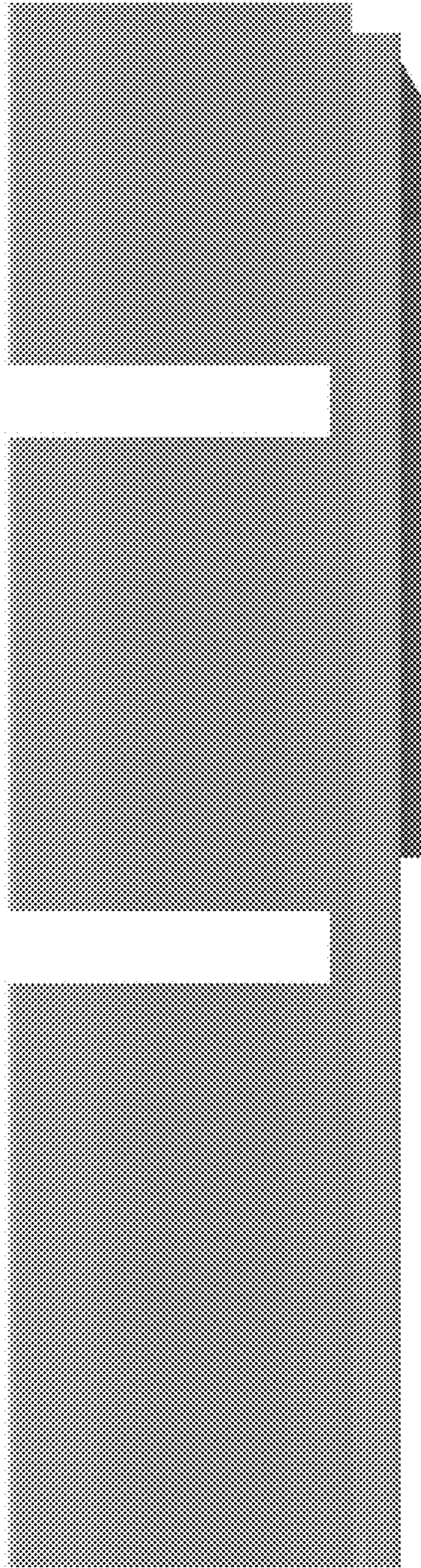


FIG. 12

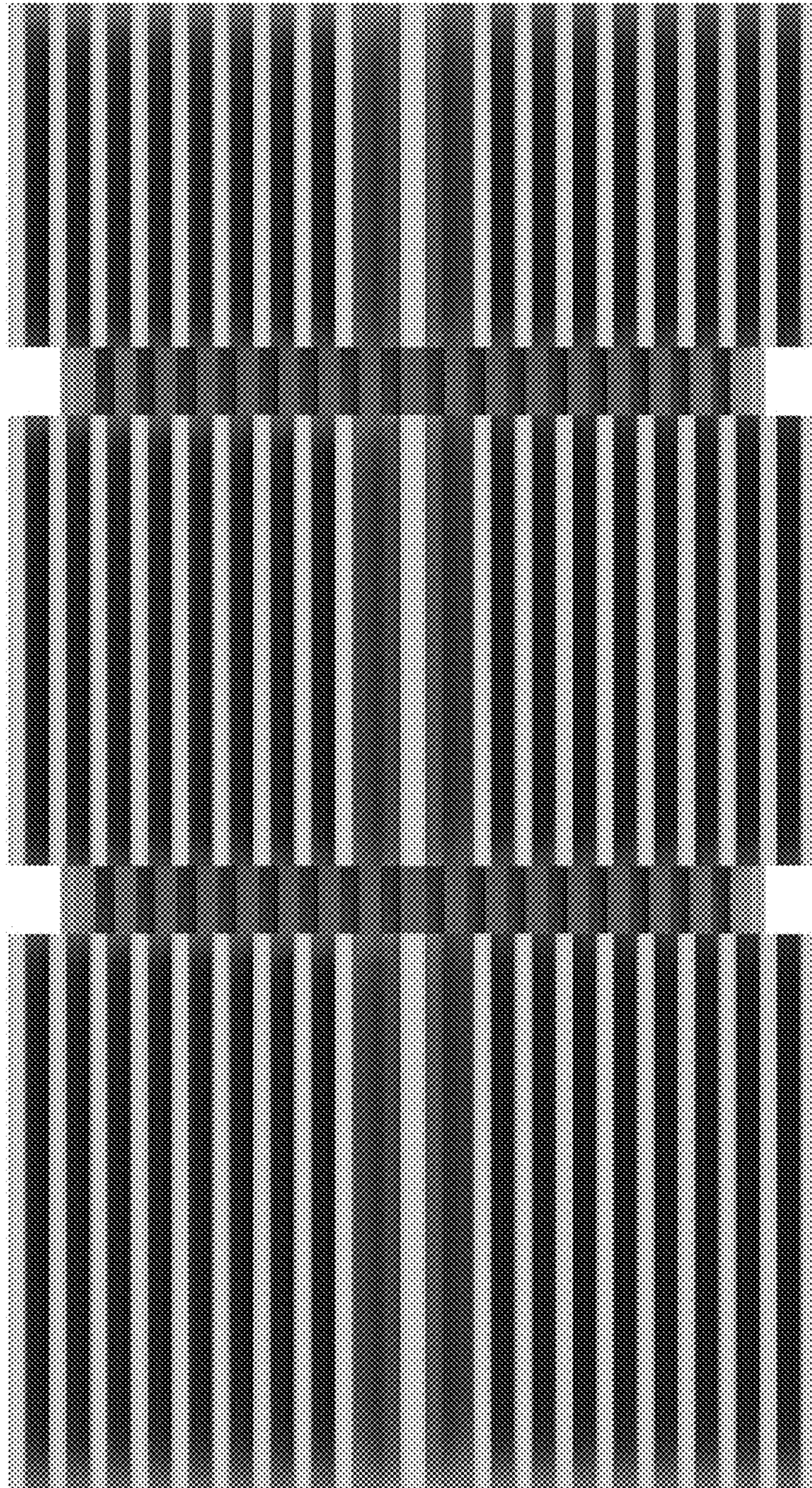


FIG. 13

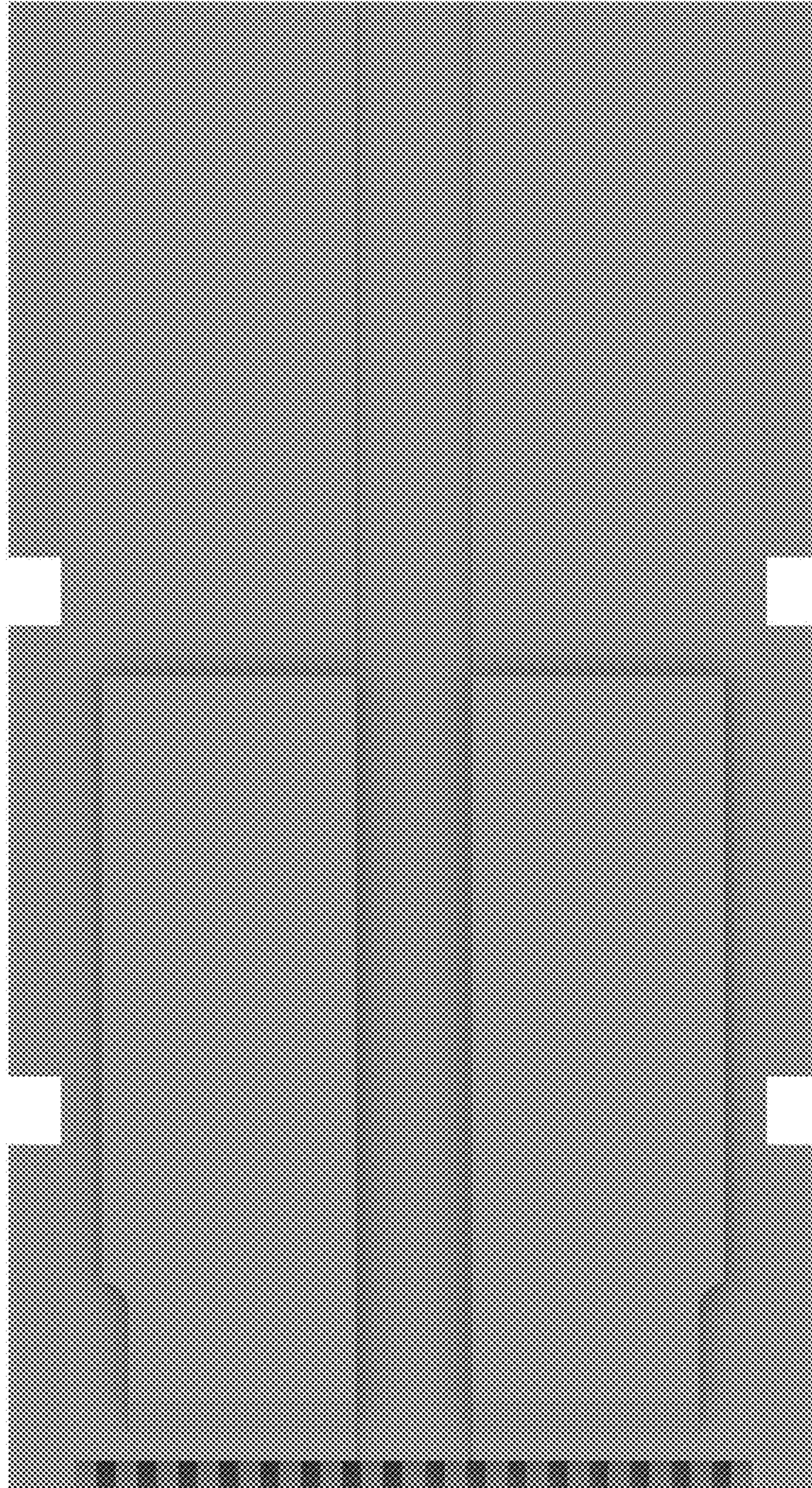


FIG. 14