



US00D918151S

(12) **United States Design Patent** (10) **Patent No.:** **US D918,151 S**
Rostron et al. (45) **Date of Patent:** **** May 4, 2021**

(54) **TURNED-OUT LINE TAPS FOR HIGH VOLTAGE ELECTRIC POWER SWITCH**

(71) Applicant: **Southern States, LLC**, Hampton, GA (US)

(72) Inventors: **Joseph R Rostron**, Hampton, GA (US);
Todd Douthit, Hampton, GA (US);
Teng Hu, Hampton, GA (US)

(73) Assignee: **Southern States, LLC**, Hampton, GA (US)

(**) Term: **15 Years**

(21) Appl. No.: **29/677,959**

(22) Filed: **Jan. 24, 2019**

(51) **LOC (13) Cl.** **13-03**

(52) **U.S. Cl.**
USPC **D13/158**; D13/129

(58) **Field of Classification Search**
USPC D13/107, 108, 110, 123, 129–133,
D13/146–148, 154, 158–160, 173, 177,
D13/178, 184, 199

CPC .. H01H 1/42; H01H 1/50; H01H 3/00; H01H
9/00; H01H 9/02; H01H 31/00; H01H
31/02; H01H 31/28; H01H 33/00; H01H
33/02; H01H 33/04; H01H 33/12; H01H
33/28; H01R 11/09

See application file for complete search history.

(56) **References Cited**

U.S. PATENT DOCUMENTS

- 2,009,815 A * 7/1935 Powers H01H 31/02
200/15
- D141,409 S * 5/1945 Martin D13/148
- 3,696,321 A * 10/1972 Cooper, Jr. H01R 9/00
439/566
- 6,483,067 B1 * 11/2002 Kamber H01H 33/022
218/154

- 6,936,779 B2 * 8/2005 Rhein H01H 75/04
200/48 R
- 7,091,431 B1 * 8/2006 Arcand H01H 1/42
200/48 R
- D531,132 S * 10/2006 McCord D13/158
- D583,332 S * 12/2008 Shang D13/158
- 7,854,636 B2 * 12/2010 Gilliam H01R 13/622
439/797
- D692,839 S * 11/2013 Shang D13/158
- D693,313 S * 11/2013 Bullock D13/158
- 9,177,742 B2 * 11/2015 Ache H01H 33/6662
- D773,403 S * 12/2016 Shang D13/158
- D777,116 S * 1/2017 Boffelli D13/158
- D871,354 S * 12/2019 Nishimura D13/158
- D874,407 S * 2/2020 Gentsch D13/158

(Continued)

Primary Examiner — Angela J Lee

Assistant Examiner — Shawn T Gingrich

(74) *Attorney, Agent, or Firm* — Mehrman Law Office;
Michael J. Mehrman

(57) **CLAIM**

The ornamental design for a turned-out line taps for high voltage electric power switch, as shown and described herein.

DESCRIPTION

FIG. 1 is a perspective top view of turned-out line taps for high voltage electric power switch.

FIG. 2 is a front side view of the turned-out line taps for high voltage electric power switch.

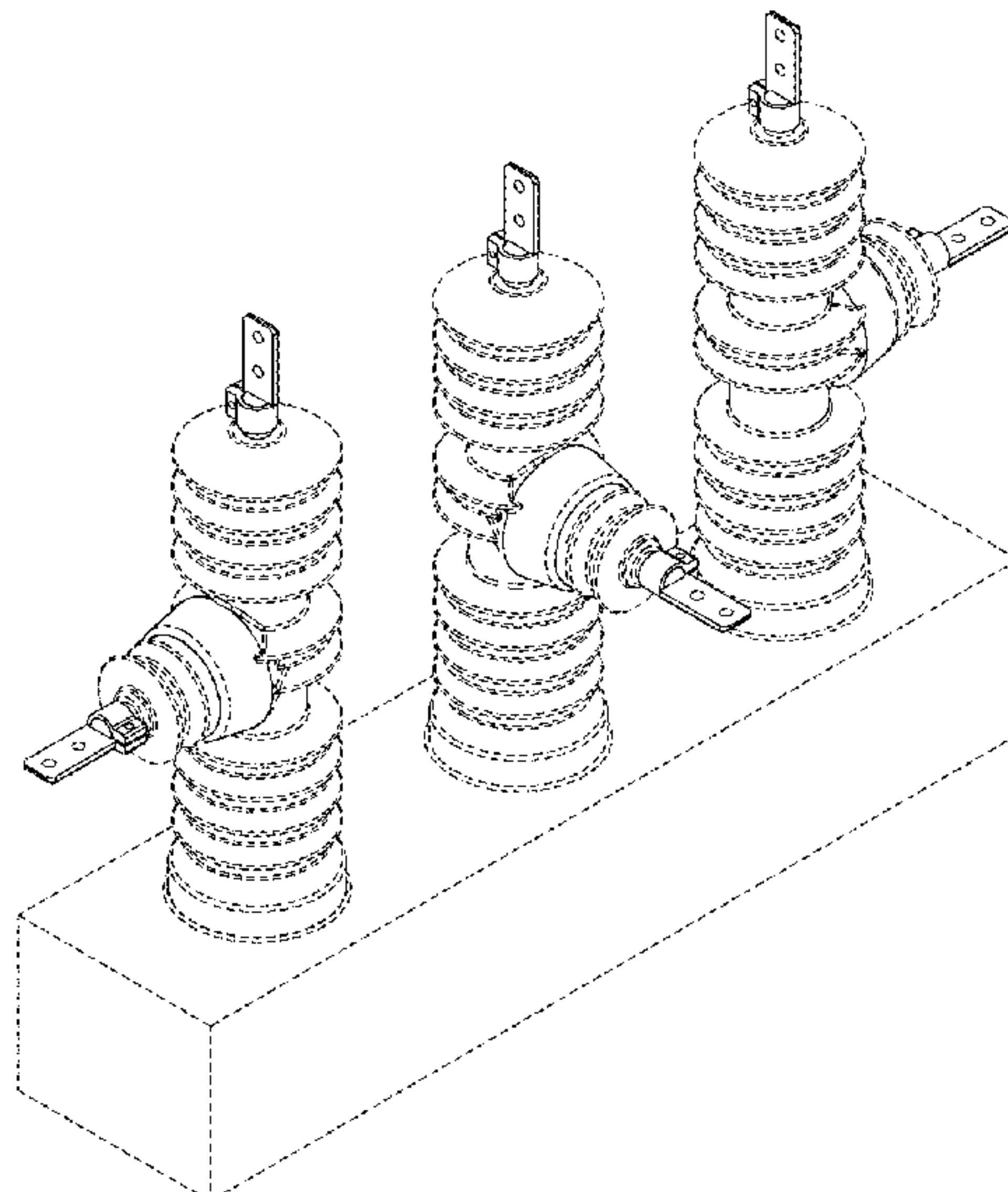
FIG. 3 is a right side view of the turned-out line taps for high voltage electric power switch.

FIG. 4 is a left side view of the turned-out line taps for high voltage electric power switch; and,

FIG. 5 is a top view of the turned-out line taps for high voltage electric power switch.

The broken line portion of the figure drawings is included to show portions of the article that form no part of the claimed design.

1 Claim, 2 Drawing Sheets



(56)

References Cited

U.S. PATENT DOCUMENTS

10,614,976	B2 *	4/2020	Borgstrom	H01H 33/662
2002/0014397	A1 *	2/2002	Swanson	H01H 1/42
				200/275
2008/0012720	A1 *	1/2008	Rostron	G01R 1/04
				340/664
2013/0187733	A1 *	7/2013	Bullock	H01H 33/6661
				335/13
2015/0236464	A1 *	8/2015	Rzasa	H01R 4/20
				29/753
2017/0018915	A1 *	1/2017	Juillet	H01R 4/70
2017/0133180	A1 *	5/2017	Sotnikov	H01H 31/30
2021/0005409	A1 *	1/2021	Kadam	H01H 31/16
2021/0027959	A1 *	1/2021	Rhein	H01H 31/26

* cited by examiner

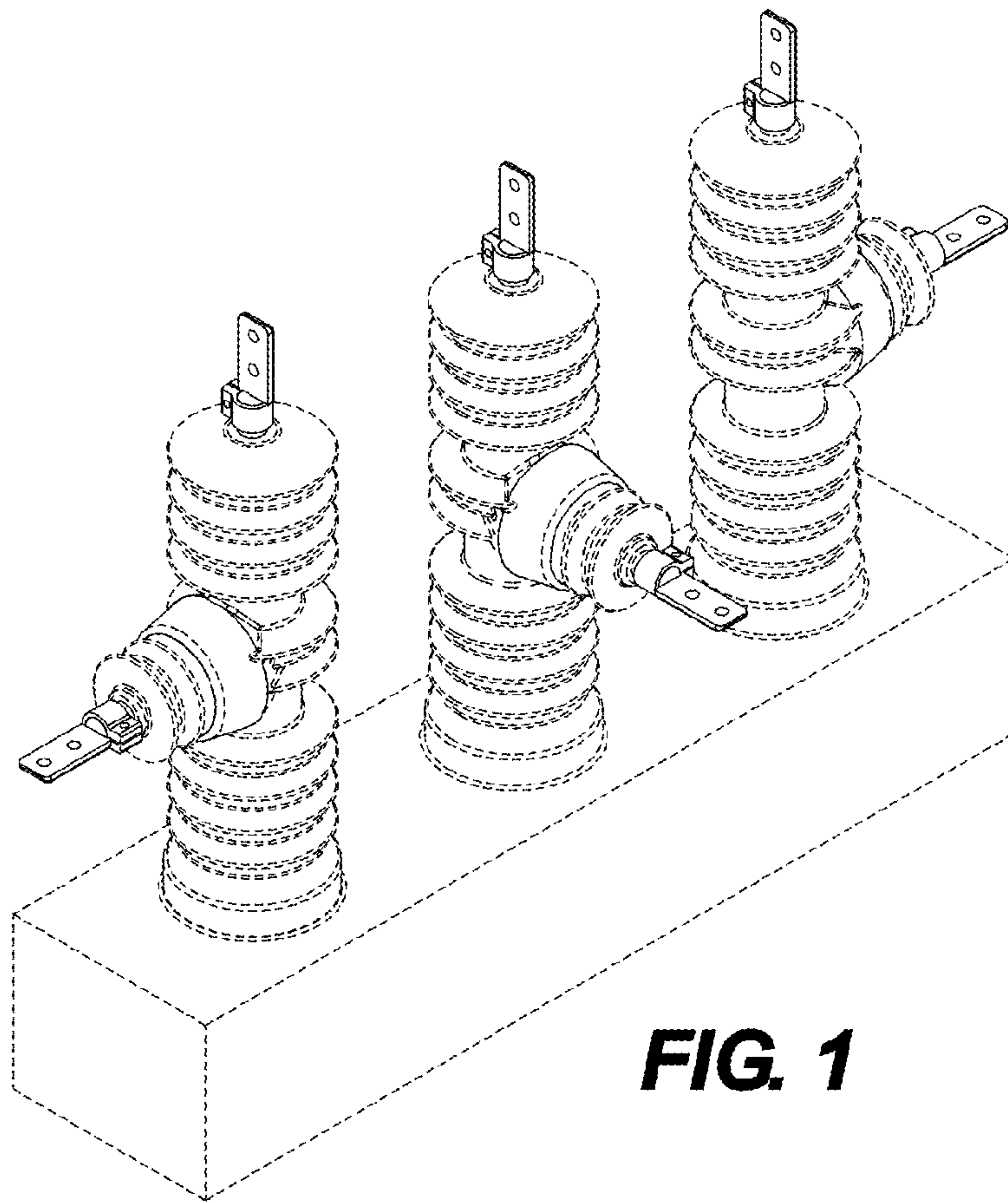


FIG. 1

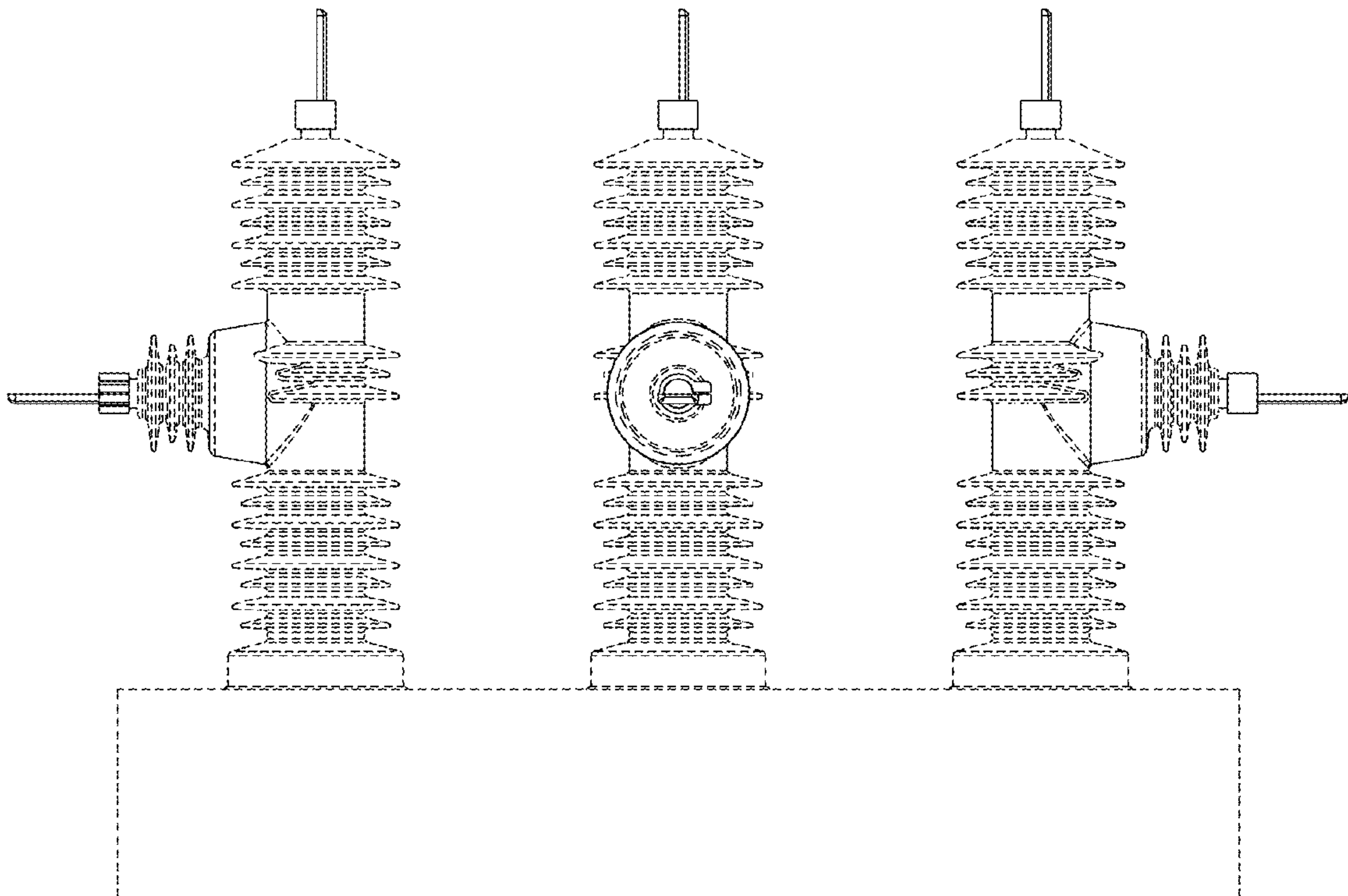


FIG. 2

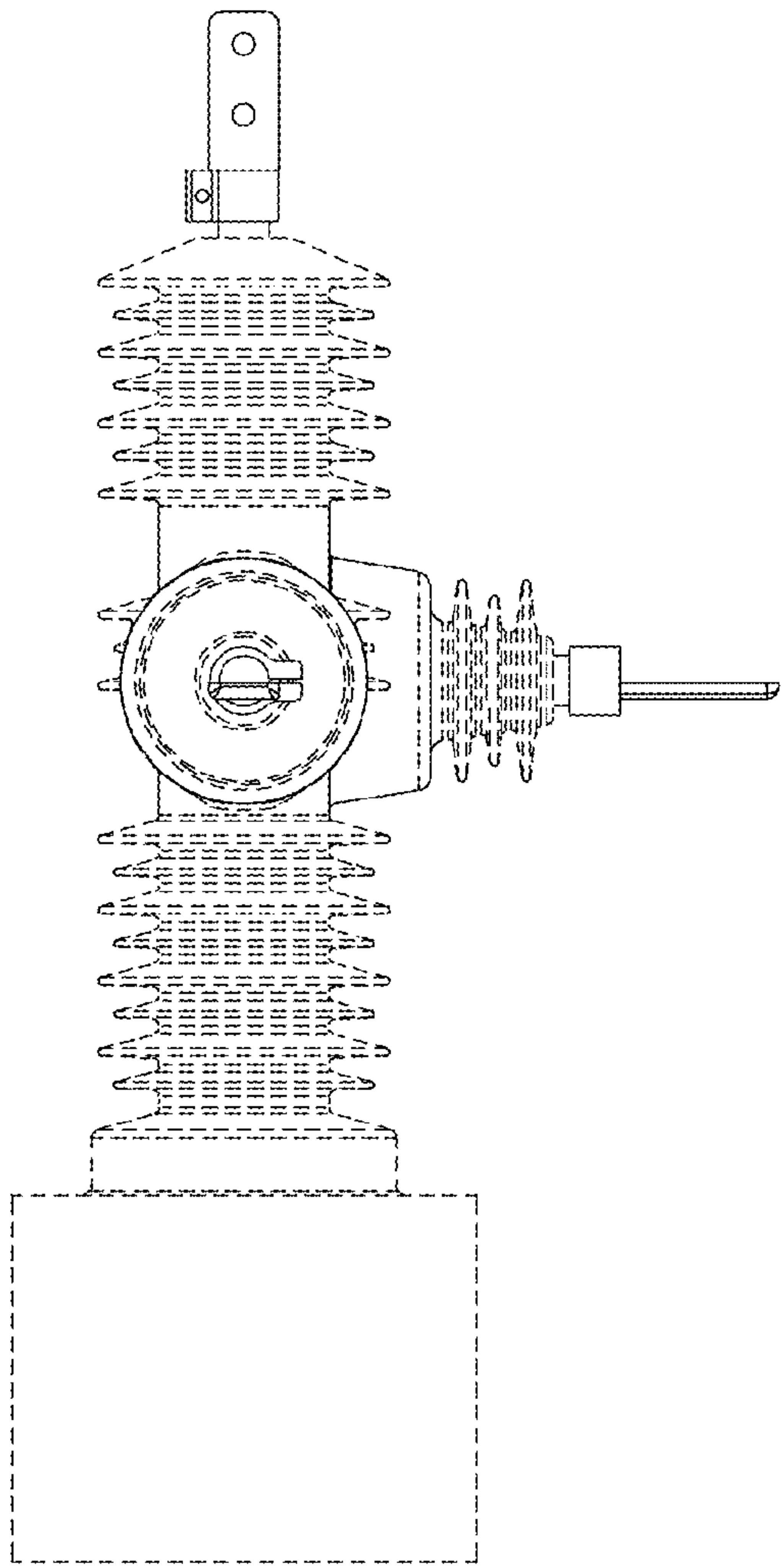


FIG. 3

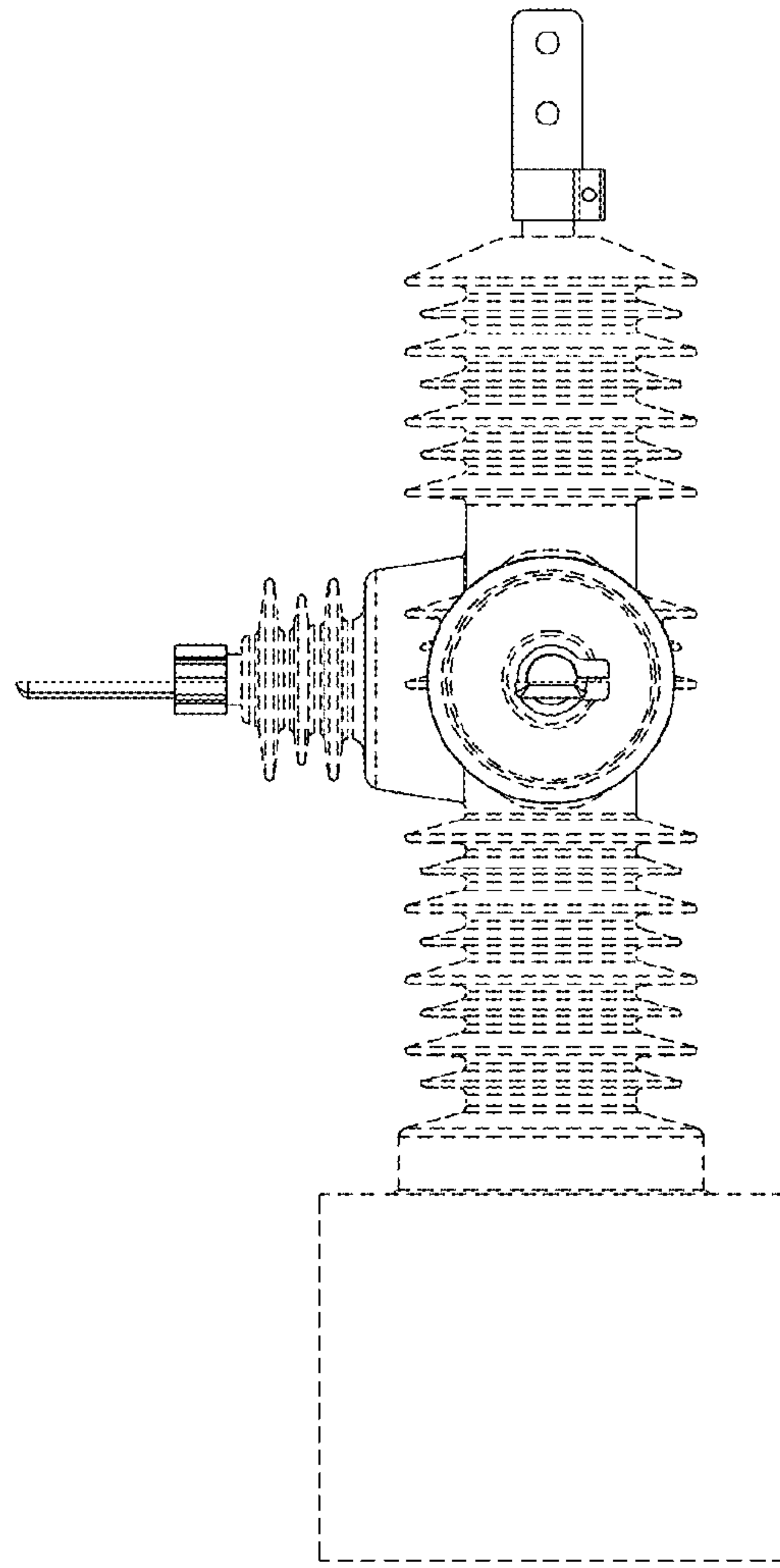


FIG. 4

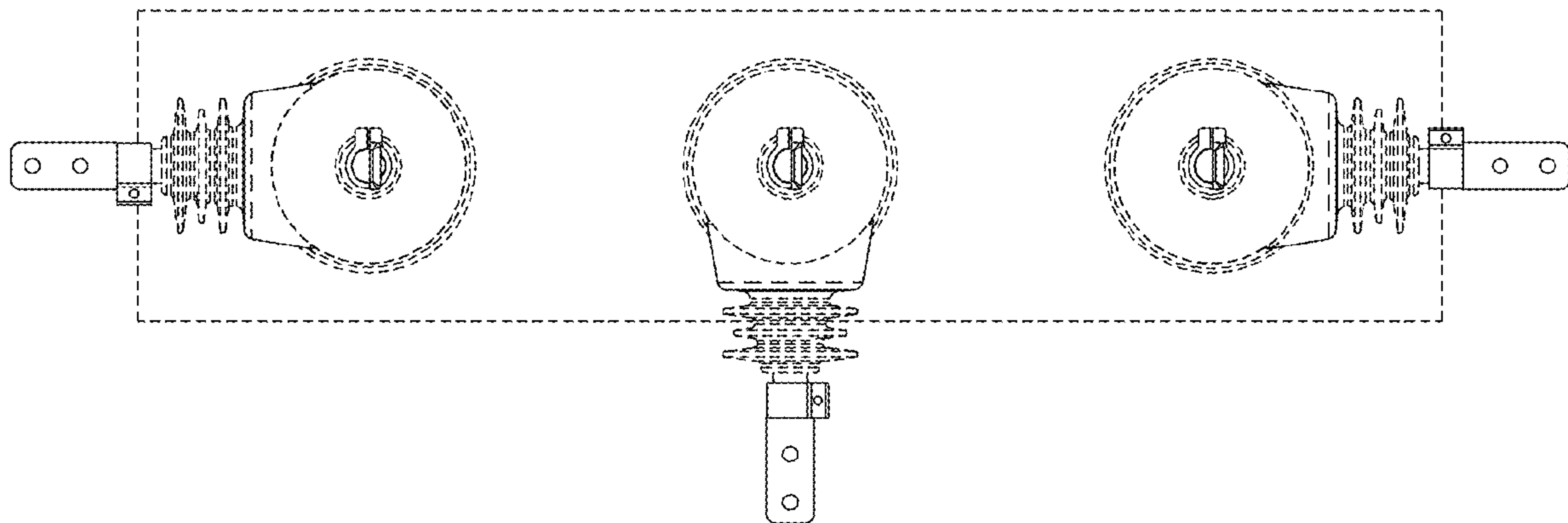


FIG. 5