



US00D918149S

(12) **United States Design Patent**
Adelmann

(10) **Patent No.:** **US D918,149 S**

(45) **Date of Patent:** **** May 4, 2021**

(54) **CONTROL DEVICE**

(71) Applicant: **WAGO Verwaltungsgesellschaft mbH**,
Minden (DE)

(72) Inventor: **Ludwig Adelmann**, Petershagen (DE)

(73) Assignee: **WAGO Verwaltungsgesellschaft mbH**,
Minden (DE)

(**) Term: **15 Years**

(21) Appl. No.: **29/697,491**

(22) Filed: **Jul. 9, 2019**

(30) **Foreign Application Priority Data**

Jan. 9, 2019 (EM) 005965126

(51) **LOC (13) Cl.** **13-03**

(52) **U.S. Cl.**
USPC **D13/147**

(58) **Field of Classification Search**
USPC D13/147, 184, 123-132, 112, 118, 146,
D13/152, 153, 154, 173, 175, 178, 199;
D14/496, 154, 199

CPC . H03K 13/02; H03M 3/02; H03L 7/18; H03F
3/217; H01R 13/7036; H02G 3/14; F21S
4/001

See application file for complete search history.

(56) **References Cited**

U.S. PATENT DOCUMENTS

6,123,585 A * 9/2000 Hussong H05K 7/1472
439/652
D433,998 S * 11/2000 Ishitsuka D13/123
D439,882 S * 4/2001 Miyazoe D13/147
D439,883 S * 4/2001 Miyazoe D13/147
D443,587 S * 6/2001 Sakasegawa D13/123
D727,266 S * 4/2015 Anselment D13/147

D727,267 S * 4/2015 Anselment D13/147
D744,956 S * 12/2015 Sekine D13/147
9,812,821 B2 * 11/2017 Hagemeyer H01R 13/7175
D825,472 S * 8/2018 Yamanaka D13/147
10,454,201 B2 * 10/2019 Ootsuka G09F 7/02

(Continued)

FOREIGN PATENT DOCUMENTS

CN 304874541 * 11/2018
GB 2092240 * 5/2000

(Continued)

OTHER PUBLICATIONS

Amazon. Link: https://www.amazon.com/dp/B008VWGLXO/ref=cm_sw_em_r_mt_dp_3qKuFbW3ZAAV4. Aug. 10, 2012. J-Tech Digital JTD-0801 Multi-Functional HDMI Converter with 8 Inputs to 1 HDMI Output. (Year: 2012).*

(Continued)

Primary Examiner — Lauren D McVey

(74) *Attorney, Agent, or Firm* — Muncy, Geissler, Olds & Lowe, P.C.

(57) **CLAIM**

The ornamental design for a control device, as shown and described.

DESCRIPTION

FIG. 1 is a front perspective view of a control device according to the present invention.

FIG. 2 is a front view of the control device of FIG. 1.

FIG. 3 is a rear view of the control device of FIG. 1.

FIG. 4 is a left side view of the control device of FIG. 1.

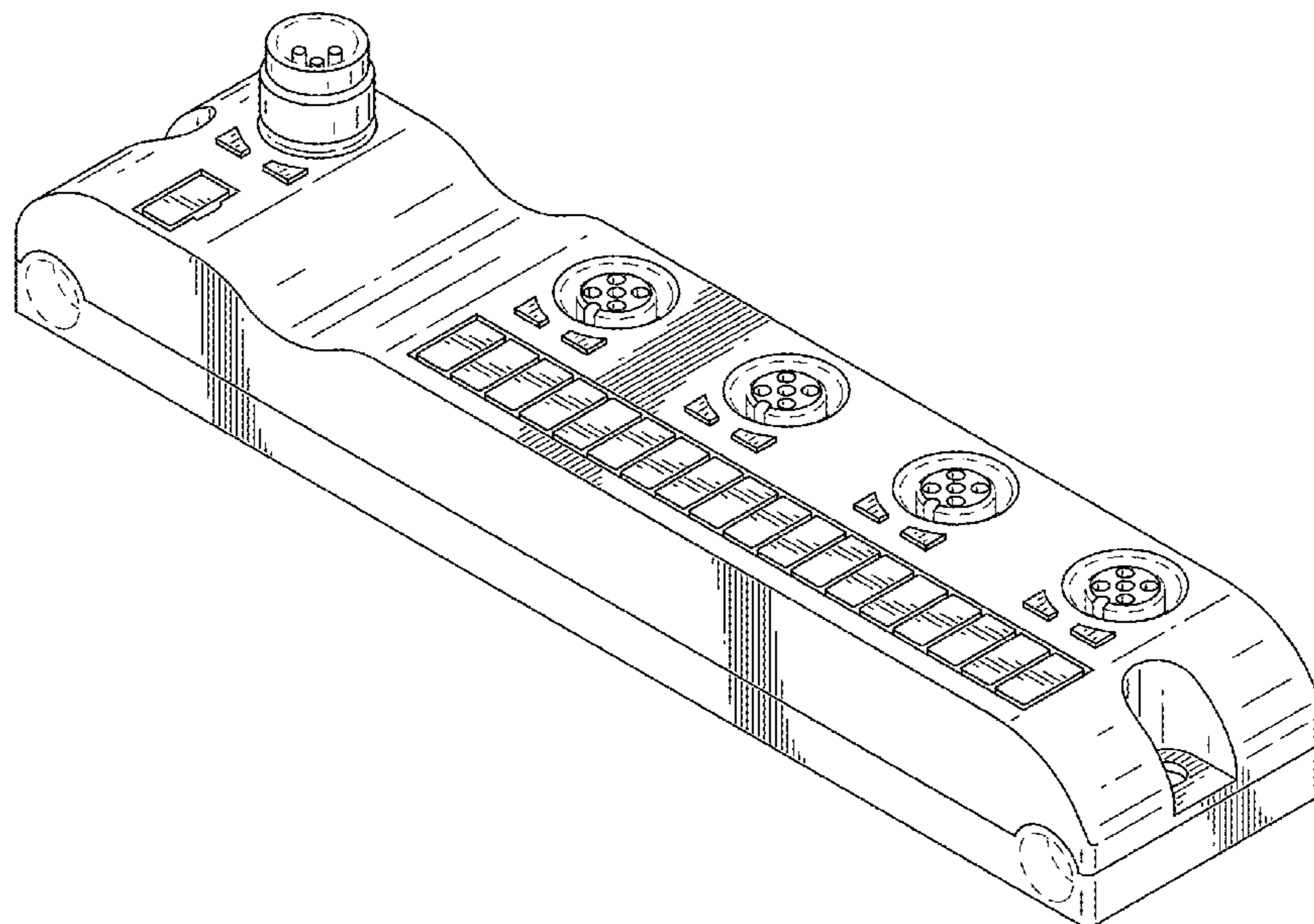
FIG. 5 is a right side view of the control device of FIG. 1.

FIG. 6 is a top view of the control device of FIG. 1; and,

FIG. 7 is a bottom view of the control device of FIG. 1.

The broken lines illustrate portions of the control device that form no part of the claimed design.

1 Claim, 7 Drawing Sheets



(56)

References Cited

U.S. PATENT DOCUMENTS

2006/0025000 A1* 2/2006 Reker H01R 13/562
439/281
2009/0008880 A1* 1/2009 Bodmann H05K 5/063
277/368

FOREIGN PATENT DOCUMENTS

JP D1073084 * 6/2000
JP D1167907 * 3/2003

OTHER PUBLICATIONS

Amazon. Link: https://www.amazon.com/dp/B081PJXKZM/ref=cm_sw_em_r_mt_dp_7oKuFb9VPZ2RJ. Nov. 18, 2019. Remote Control Digital to Analog Audio Converter. (Year: 2019).*

* cited by examiner

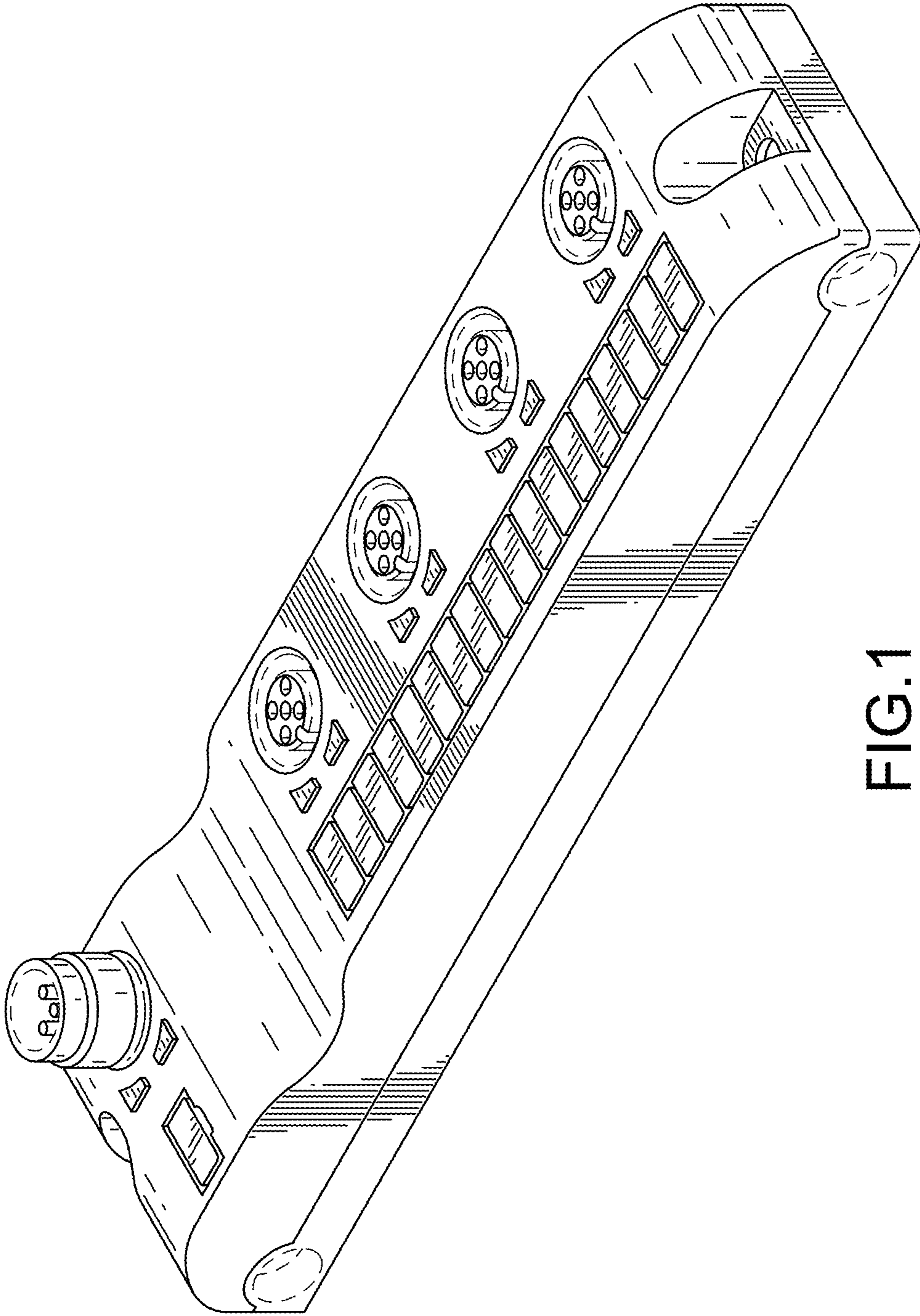


FIG.1

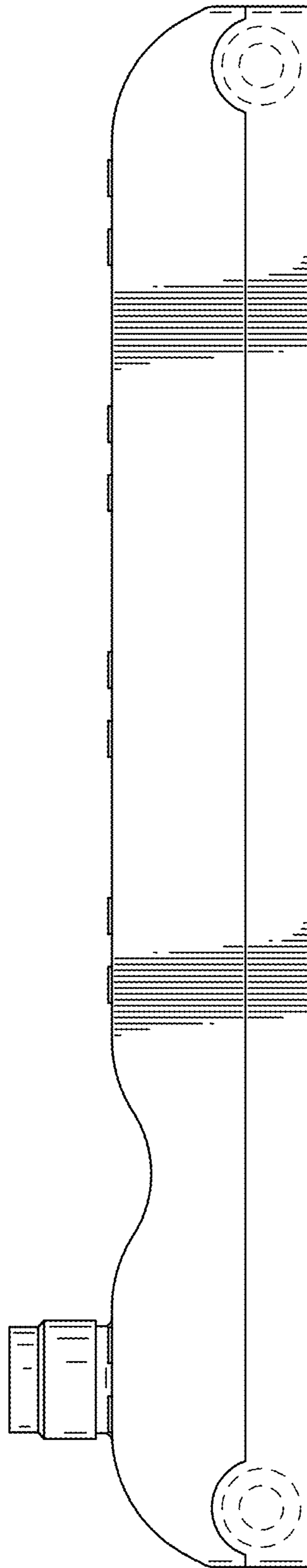


FIG.2

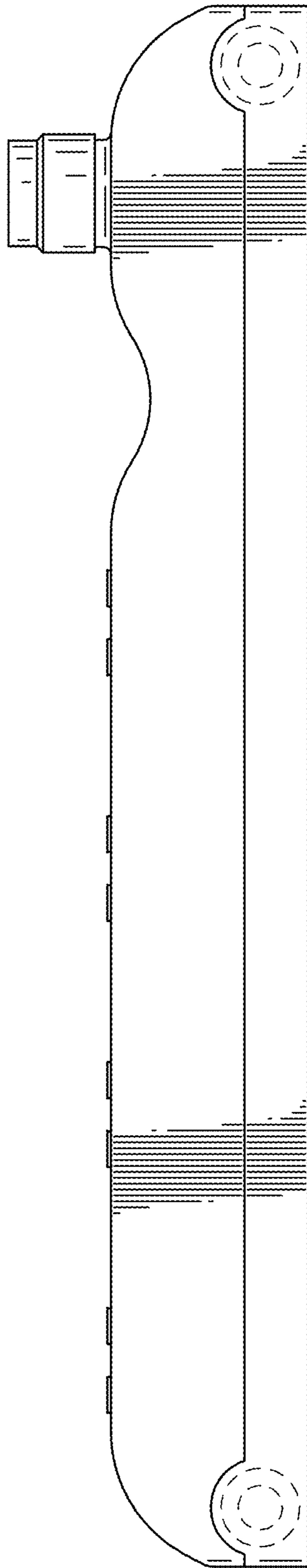


FIG.3

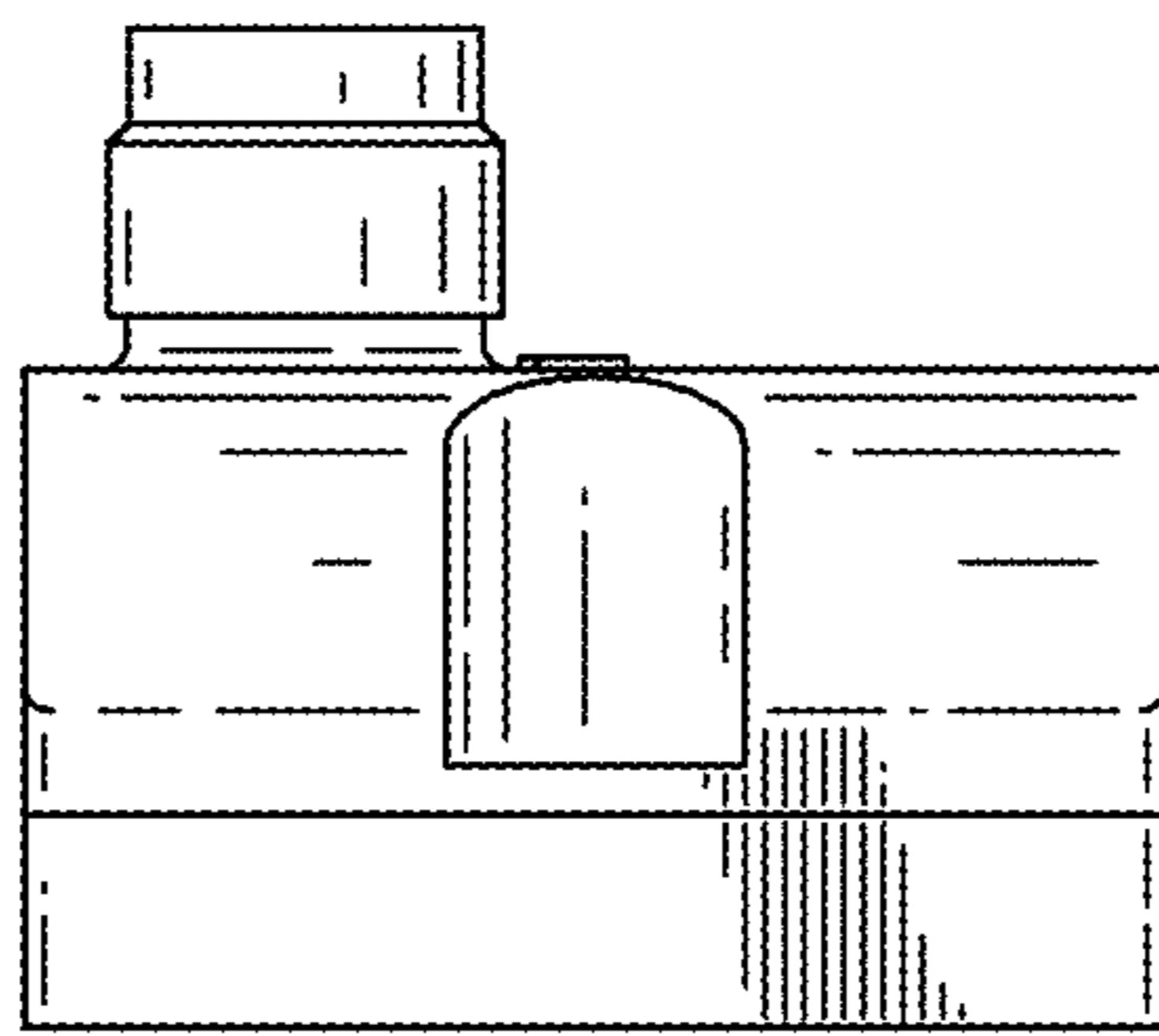


FIG.4

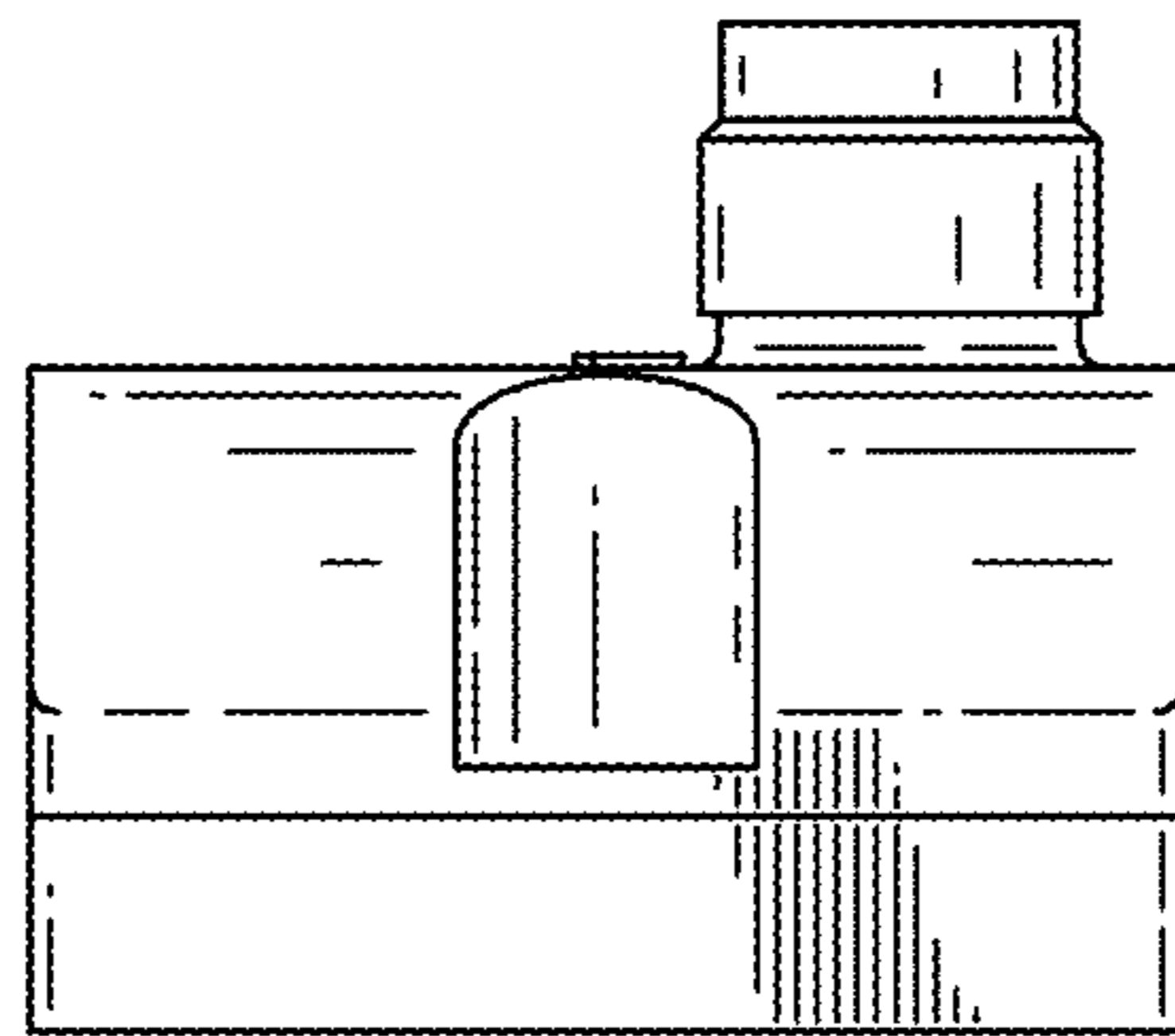


FIG.5

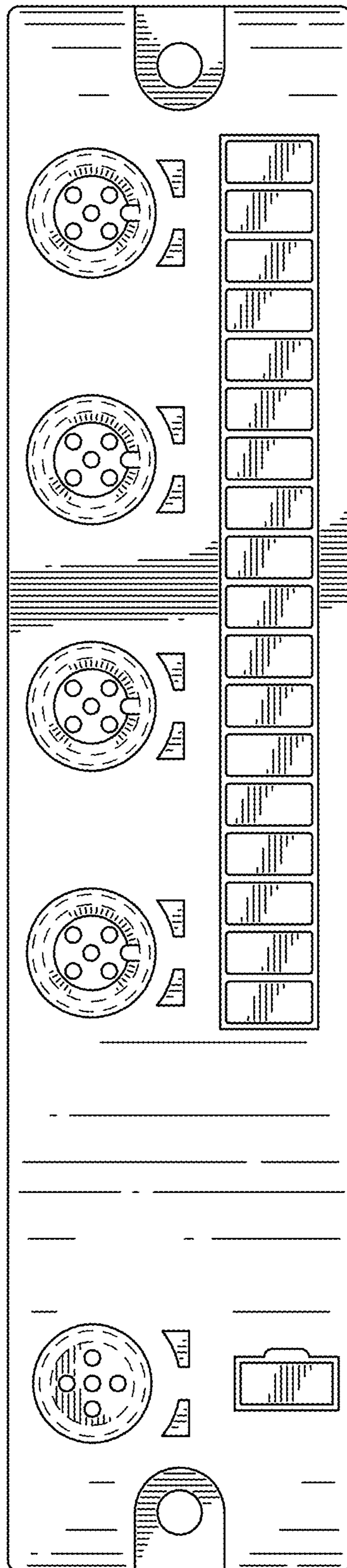


FIG.6

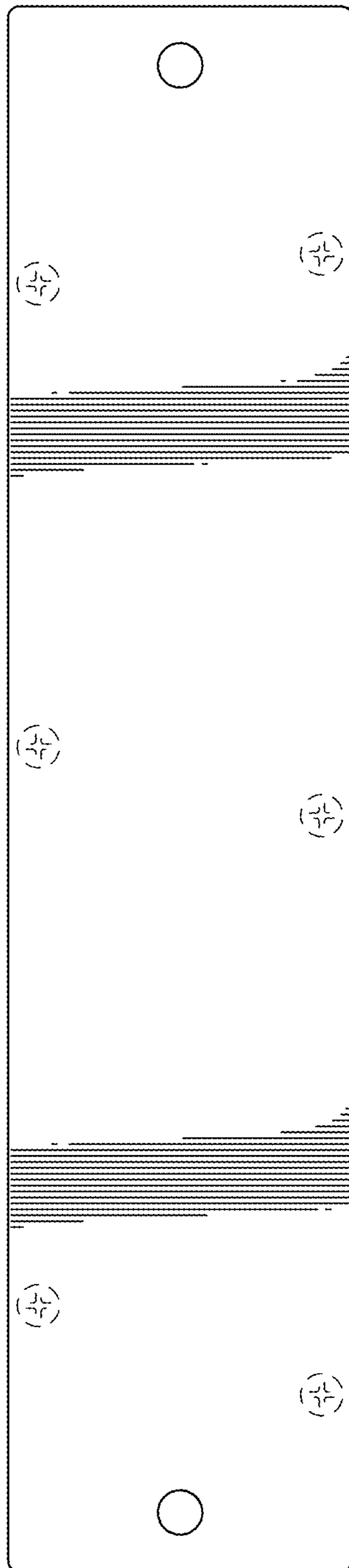


FIG. 7