



US00D918148S

(12) **United States Design Patent** (10) **Patent No.:** **US D918,148 S**
Schaarschmidt (45) **Date of Patent:** **** May 4, 2021**

(54) **PLUG FOR CABLE**
(71) Applicant: **Allied Vision Technologies GmbH**,
Stadtroda (DE)
(72) Inventor: **Sven Schaarschmidt**, Zell am Moos
(AT)
(73) Assignee: **ALLIED VISION TECHNOLOGIES**
GMBH, Stadtroda (DE)

D319,431 S * 8/1991 Constien D13/184
D435,519 S * 12/2000 Lee D13/147
6,738,856 B1 * 5/2004 Milley G06F 3/038
710/315
D513,230 S * 12/2005 Han D13/147
D519,925 S * 5/2006 Milan D13/133
D585,836 S * 2/2009 Lee D13/154
D603,805 S * 11/2009 Levy D13/154
D844,631 S * 4/2019 Roberts D14/480.5
2012/0329316 A1 * 12/2012 Wu H01R 13/6315
439/518

(**) Term: **15 Years**

(21) Appl. No.: **29/688,582**

(22) Filed: **Apr. 23, 2019**

(30) **Foreign Application Priority Data**

Oct. 25, 2018 (DE) 40 2018 101 100.2

(51) **LOC (13) Cl.** **13-03**

(52) **U.S. Cl.**
USPC **D13/147**

(58) **Field of Classification Search**
USPC ... D13/103, 107, 118, 120, 123, 133, 137.1,
D13/139.7, 146, 147, 151, 152, 153, 154,
D13/155, 156, 157, 158, 173, 177, 184,
D13/199; D14/217, 238.1, 240, 242, 432,
D14/433, 434, 435.1, 436, 438, 439, 4,
D14/48, 479, 480.1, 480.5, 480.7, 483,
D14/484.1; D16/219, 237

See application file for complete search history.

(56) **References Cited**

U.S. PATENT DOCUMENTS

4,722,022 A * 1/1988 Myers H01R 13/6581
174/359
D297,530 S * 9/1988 Cooper D13/147
4,861,276 A * 8/1989 Muller H01R 13/639
439/365
D318,265 S * 7/1991 Esslinger D13/147

OTHER PUBLICATIONS

Type-C Single Screw Locking to Standard USB3.0 Data Cable, Sep. 29, 2020, [online], [Site visited Sep. 29, 2020], Available from Internet URL: https://www.newegg.com/p/1BK-03NJ-00D8?Description=single%20screw%20connector&cm_re=single_screw%20connector-_9SIAS35C5R1278-_Product (Year: 2020).*

* cited by examiner

Primary Examiner — Susan Bennett Hattan
Assistant Examiner — Landon T Cassell
(74) *Attorney, Agent, or Firm* — Lucas & Mercanti, LLP;
Klaus P. Stoffel

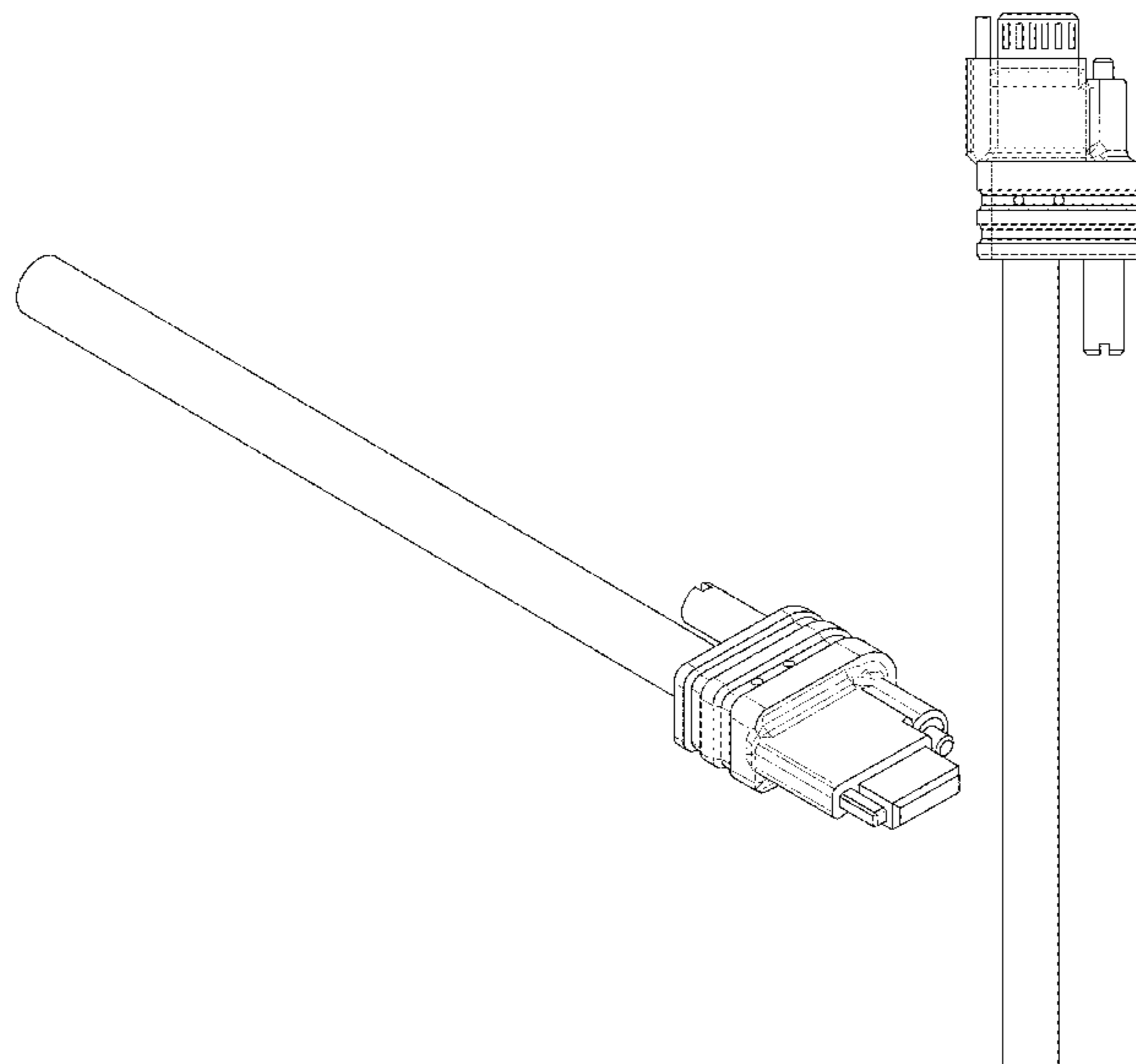
(57) **CLAIM**

The ornamental design for a plug for cable, as shown and described.

DESCRIPTION

FIG. 1 is a front, top perspective view of the plug for cable of the present invention;
FIG. 2 is an enlarged front view thereof;
FIG. 3 is a bottom view thereof;
FIG. 4 is a left side view thereof;
FIG. 5 is a top view thereof;
FIG. 6 is a right side view thereof; and,
FIG. 7 is an enlarged rear view thereof.

1 Claim, 7 Drawing Sheets



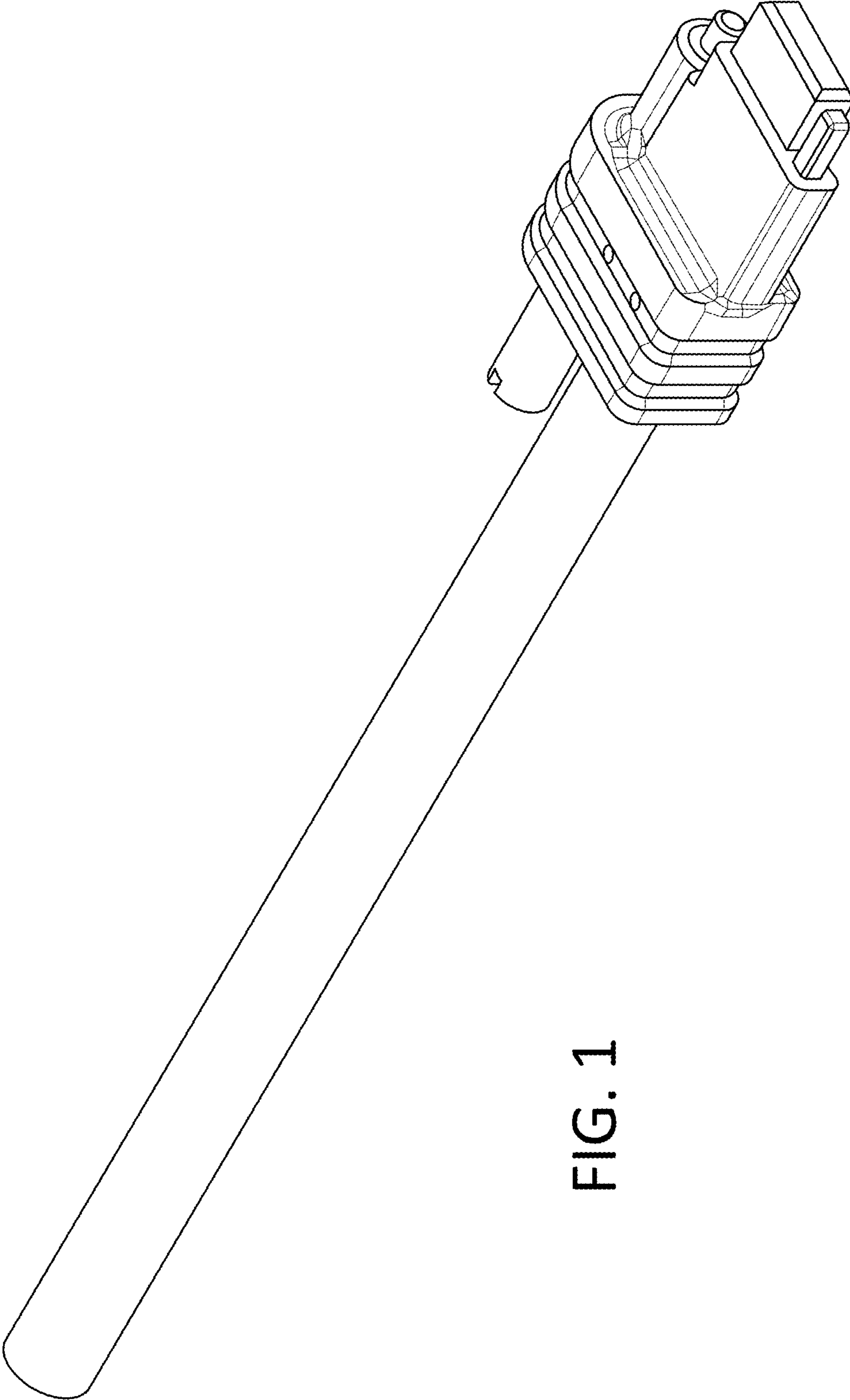


FIG. 1

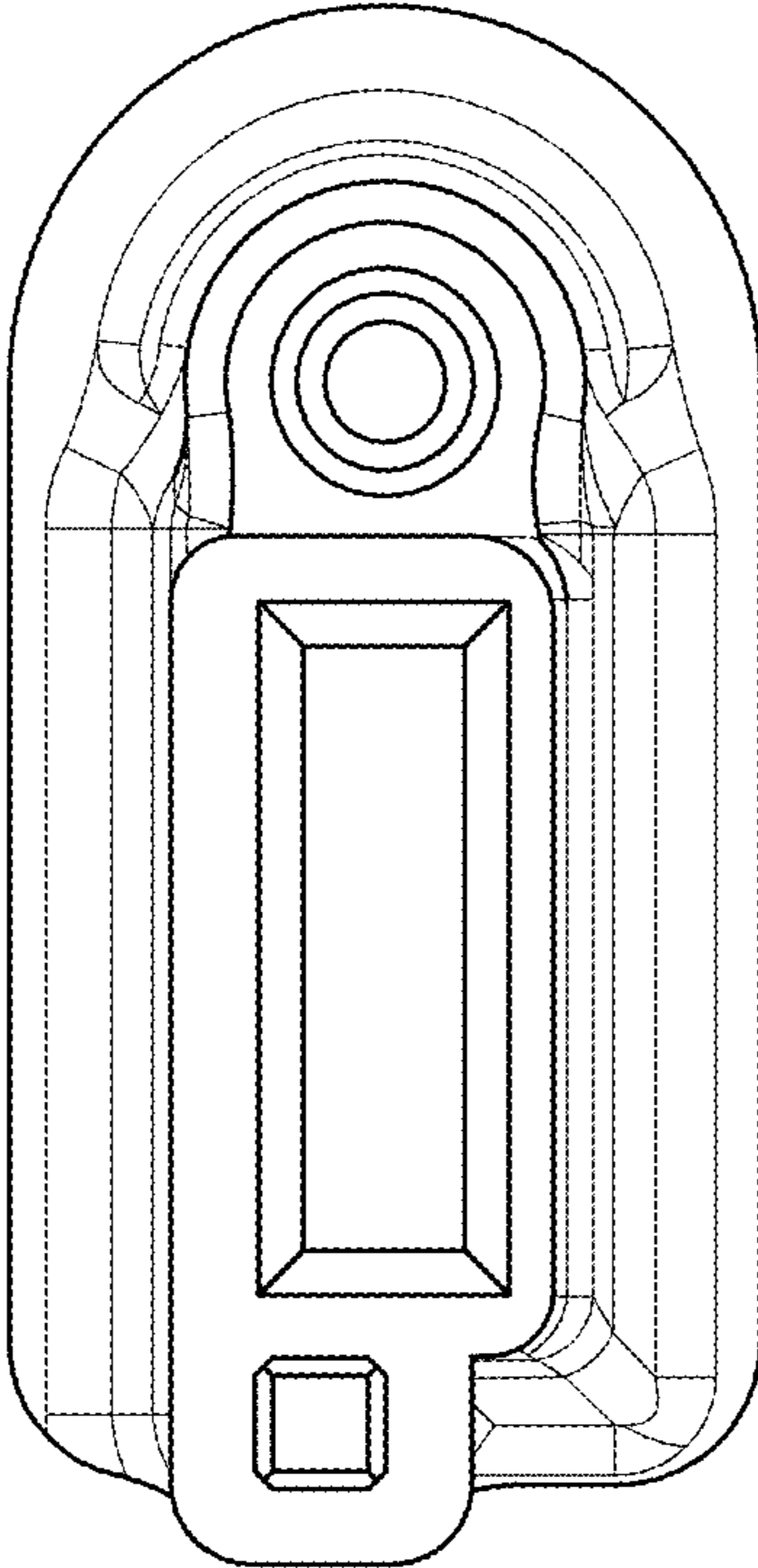


FIG. 2

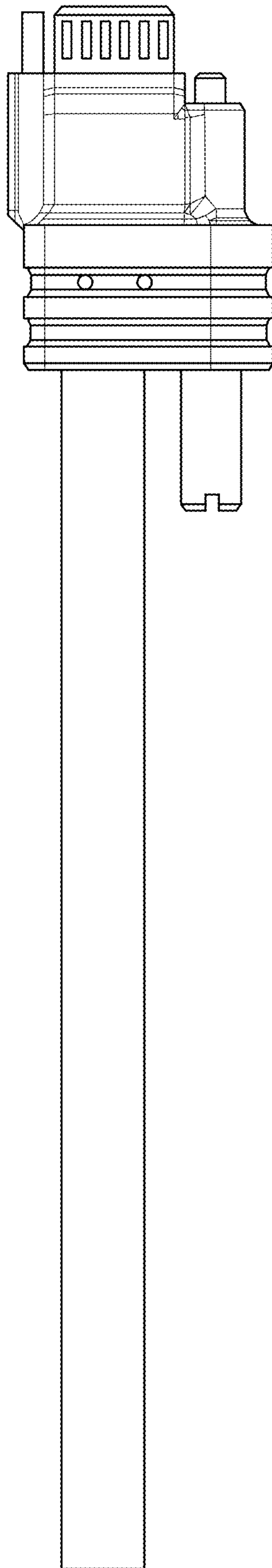


FIG. 3

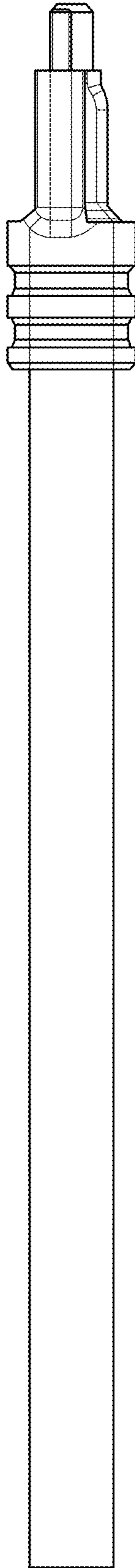


FIG. 4

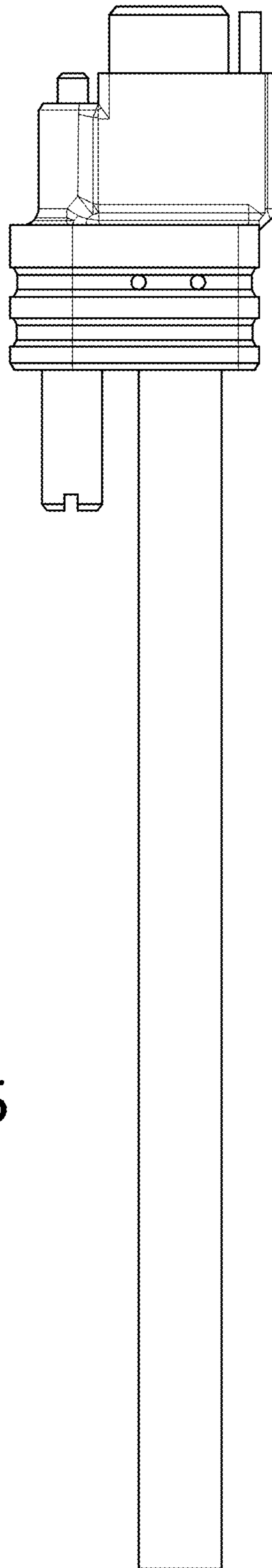


FIG. 5

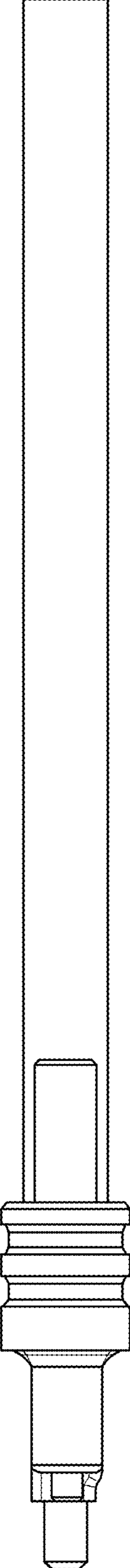


FIG. 6

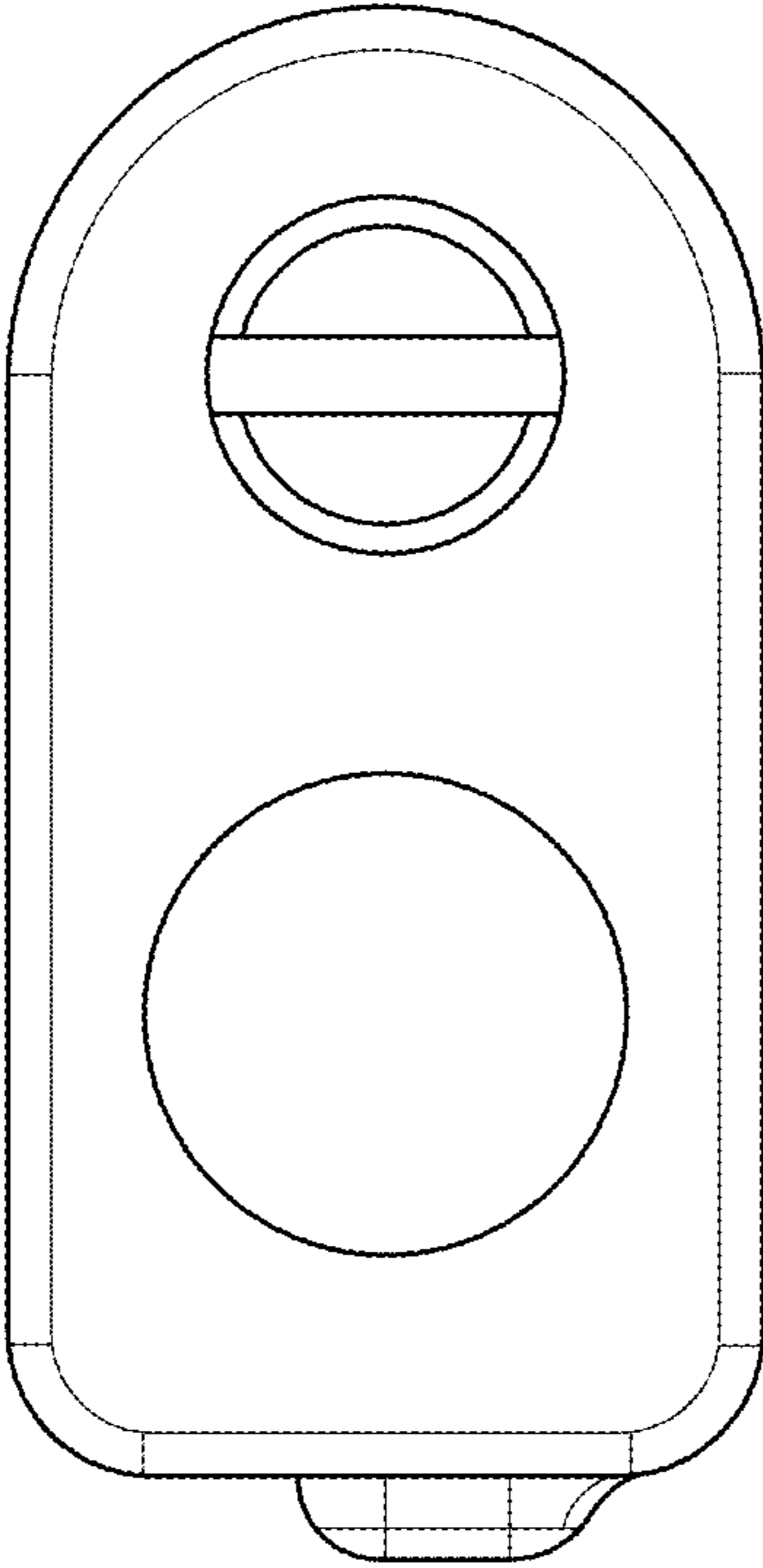


FIG. 7