



US00D918146S

(12) **United States Design Patent** (10) **Patent No.:** **US D918,146 S**
Yanase et al. (45) **Date of Patent:** **** May 4, 2021**

(54) **ELECTRIC CONNECTOR**

(71) Applicant: **SMK Corporation**, Tokyo (JP)

(72) Inventors: **Tomoyasu Yanase**, Tokyo (JP); **Kiyoshi Asai**, Kanagawa (JP); **Hiroyasu Kamatani**, Tokyo (JP)

(73) Assignee: **SMK Corporation**, Tokyo (JP)

(**) Term: **15 Years**

(21) Appl. No.: **29/704,856**

(22) Filed: **Sep. 7, 2019**

(30) **Foreign Application Priority Data**

Apr. 16, 2019 (JP) 2019-008314

(51) **LOC (13) Cl.** **13-03**

(52) **U.S. Cl.**
USPC **D13/133**

(58) **Field of Classification Search**
USPC D13/107, 110, 118, 120, 123, 133, 146,
D13/147, 149, 154, 184, 199
CPC H01R 9/05; H01R 9/053; H01R 9/0527;
H01R 13/62; H01R 13/635; H01R 13/64;
H01R 13/648; H01R 13/65; H01R
13/6584

See application file for complete search history.

(56) **References Cited**

U.S. PATENT DOCUMENTS

D271,197 S * 11/1983 Jones D13/147
D540,260 S * 4/2007 Yang D13/147
D565,510 S * 4/2008 Ma D13/147
D592,600 S * 5/2009 Wu D13/147
D817,880 S * 5/2018 Dobashi D13/133
D850,381 S * 6/2019 Tabata D13/133

D856,928 S * 8/2019 Mouchet D13/110
2015/0008008 A1 * 1/2015 Tanimizu H01F 27/306
174/68.2
2015/0340788 A1 * 11/2015 Sakaue H01R 12/73
439/676
2017/0214183 A1 * 7/2017 Fukuhara H01R 13/641
2020/0119470 A1 * 4/2020 Yanase H01R 13/635
2020/0244011 A1 * 7/2020 Kitazawa H01R 13/6585
2020/0287313 A1 * 9/2020 Chen H01R 13/11

FOREIGN PATENT DOCUMENTS

JP 2012059654 A * 3/2012
JP 1633439 S 6/2019
JP 2019121439 A * 7/2019

* cited by examiner

Primary Examiner — Angela J Lee

Assistant Examiner — Shawn T Gingrich

(57) **CLAIM**

The ornamental design for an electric connector, as shown and described.

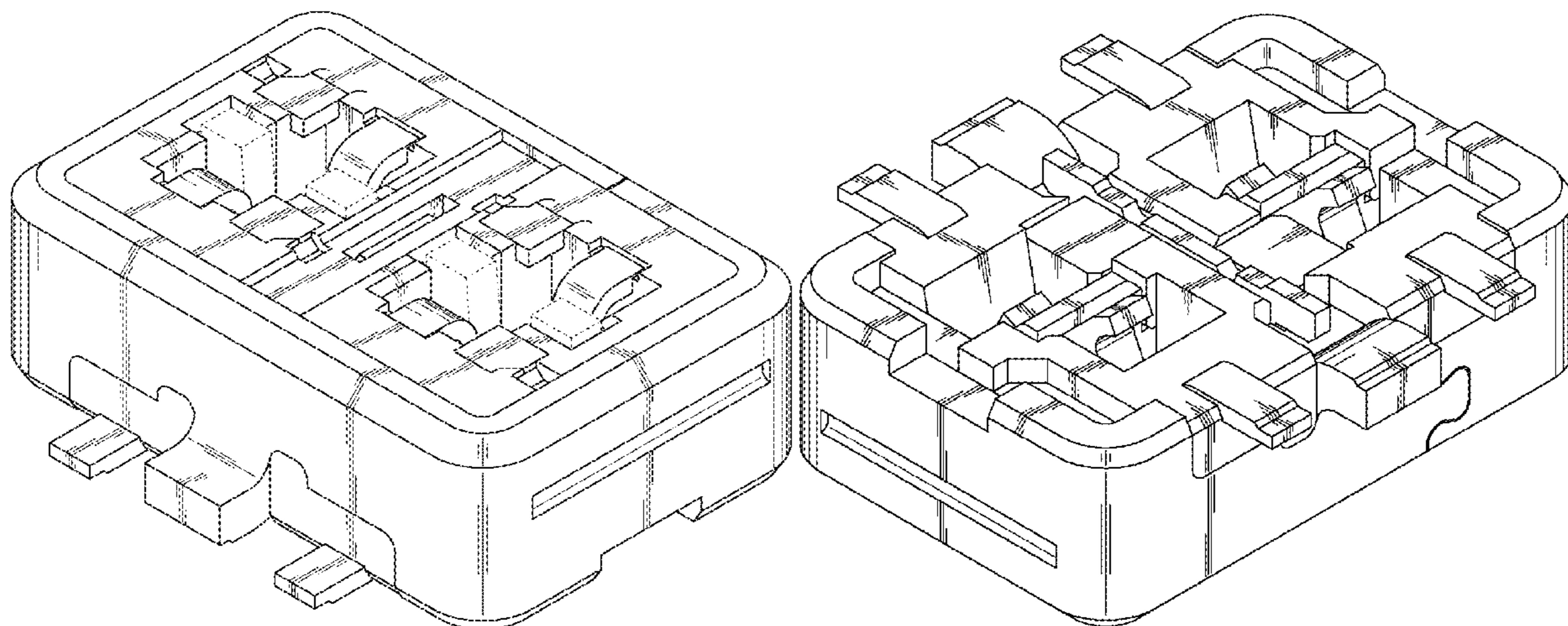
DESCRIPTION

FIG. 1 is a 1st perspective view of an electric connector, showing our new design;
FIG. 2 is a 2nd perspective view thereof.
FIG. 3 is a front elevation view thereof;
FIG. 4 is a rear elevation view thereof;
FIG. 5 is a top plan view thereof;
FIG. 6 is a bottom plan view thereof;
FIG. 7 is a left side view thereof; and,
FIG. 8 is a right side view thereof.

The shadings in the figures show contour and not surface ornamentation.

The broken lines in the drawings that illustrate portions of the electric connector form no part of the claimed design.

1 Claim, 8 Drawing Sheets



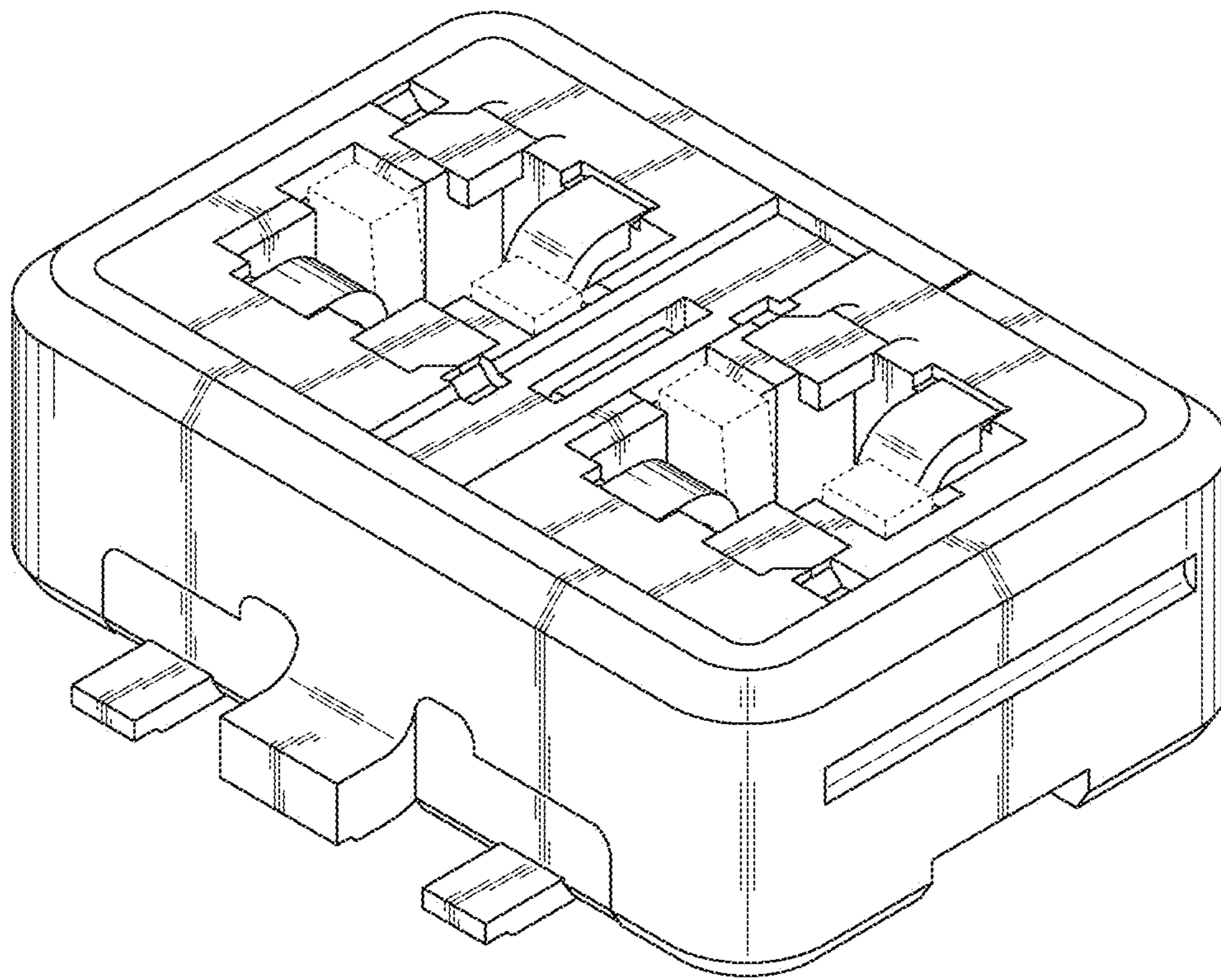


Fig. 1

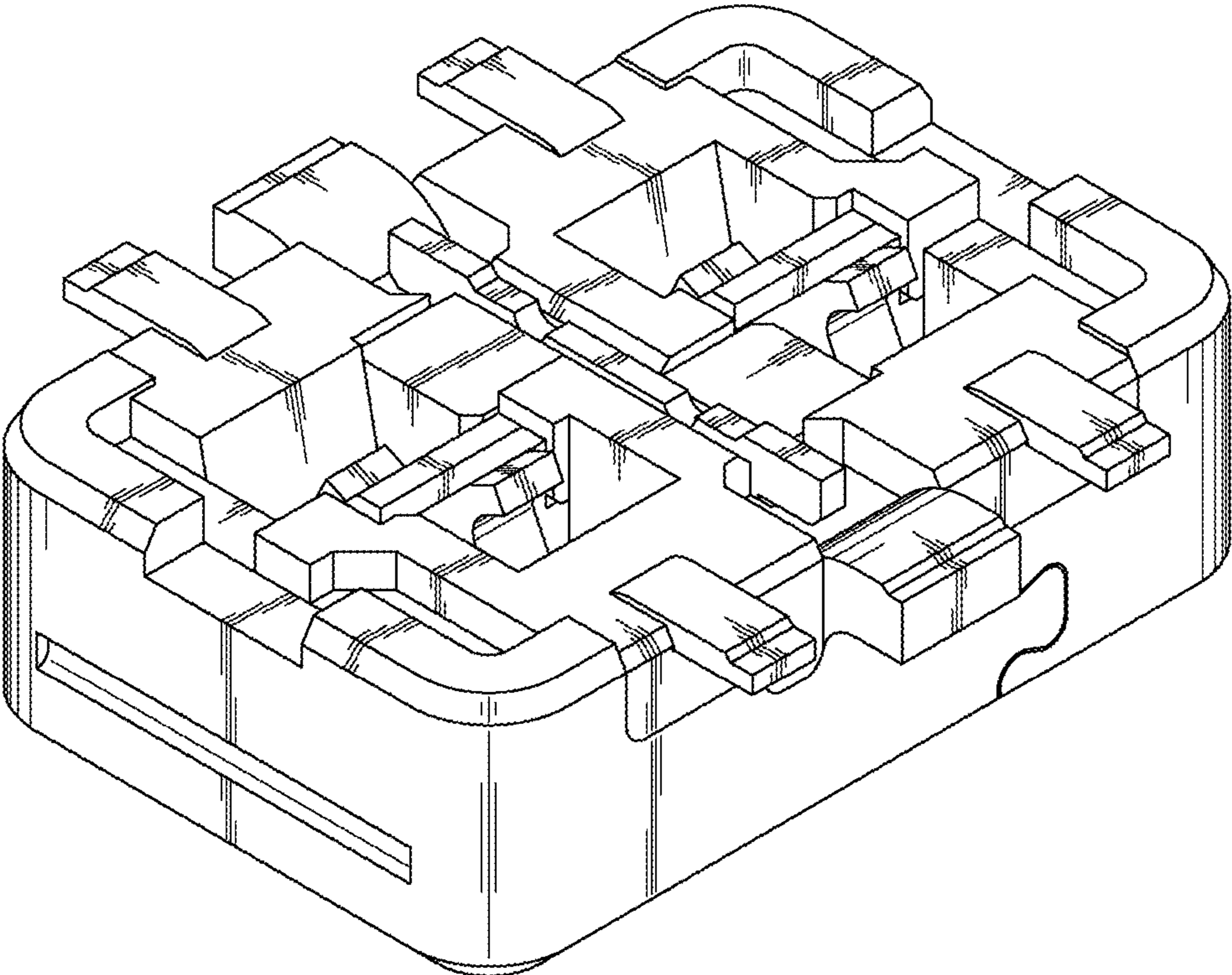


Fig.2

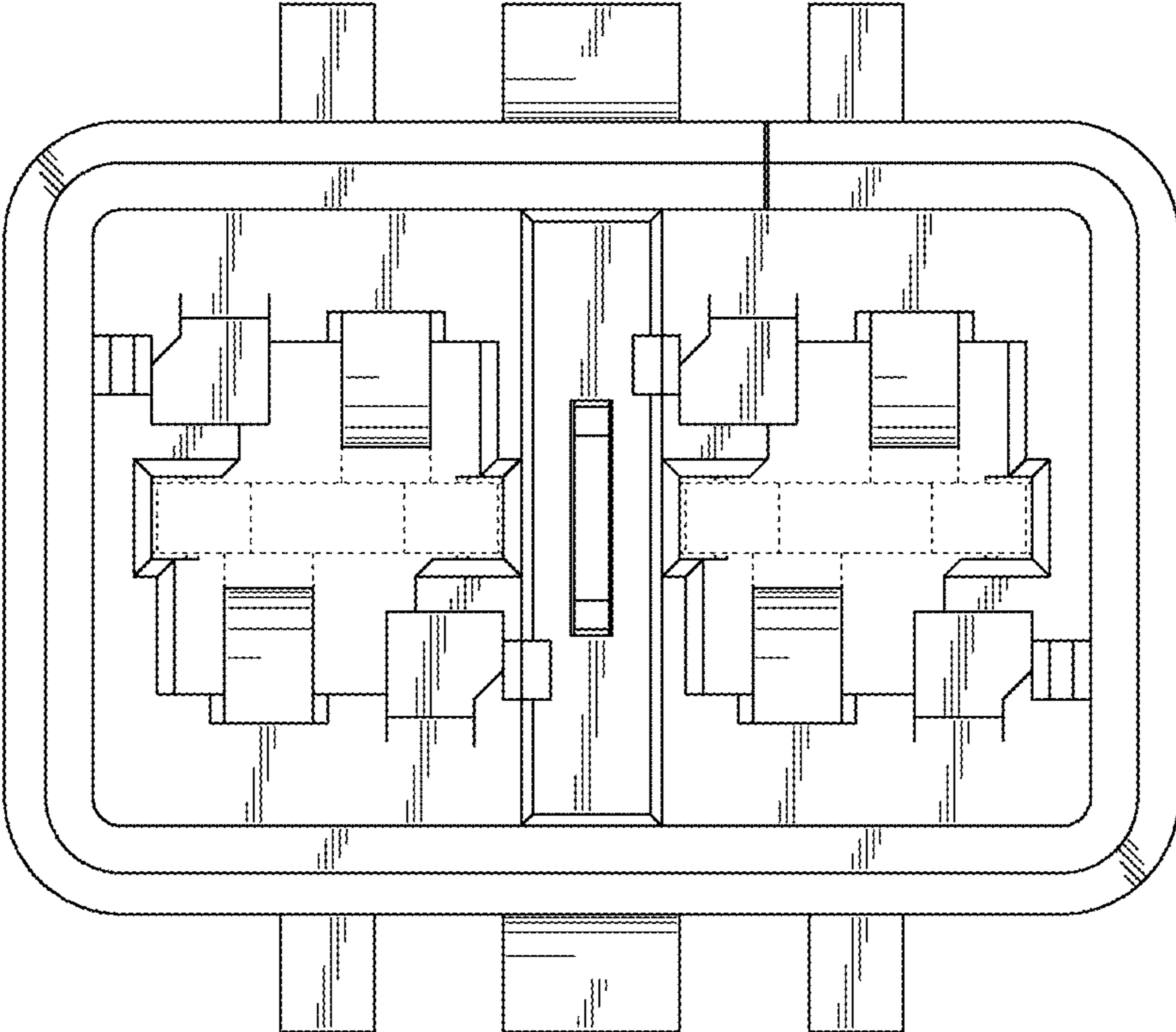


Fig.3

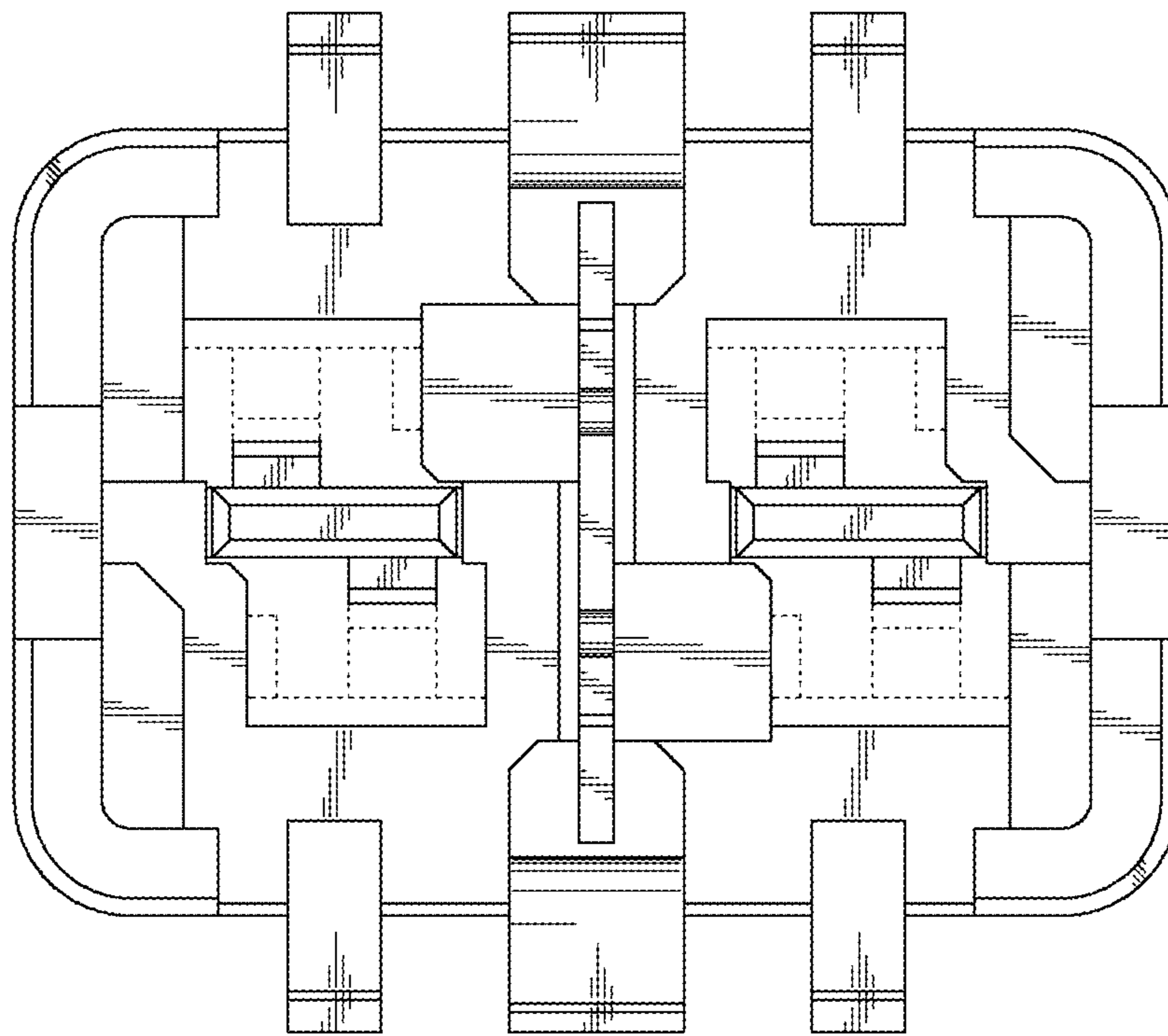


Fig.4

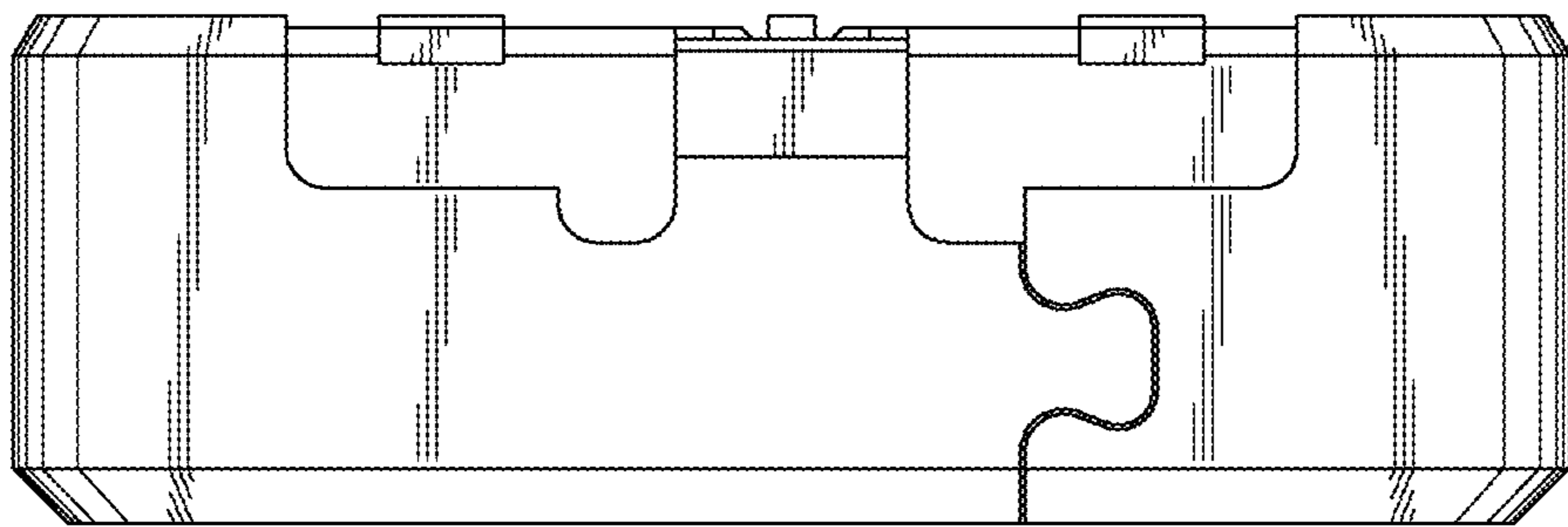


Fig.5

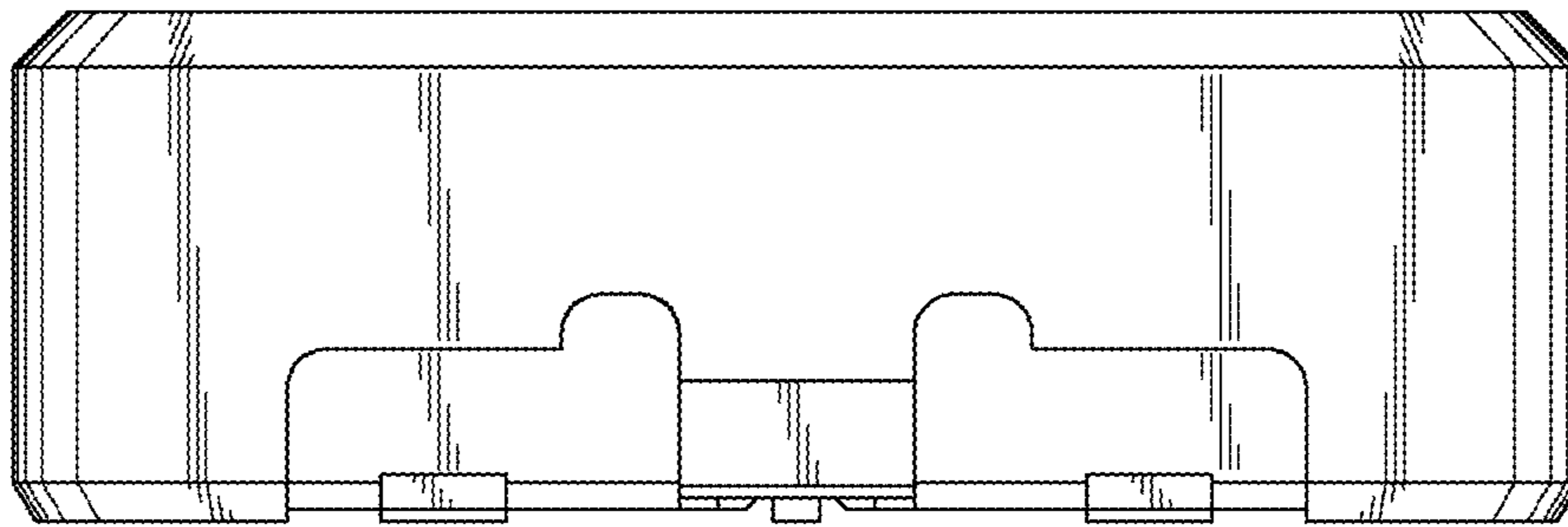


Fig.6

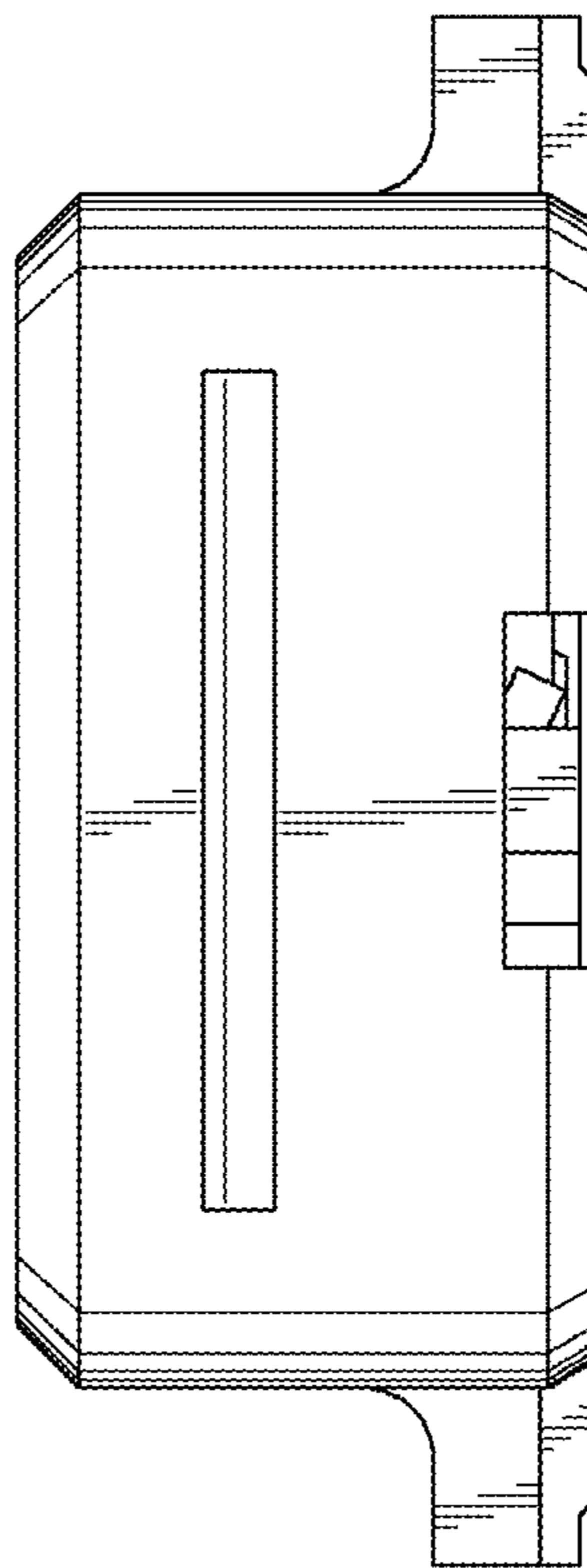


Fig.7

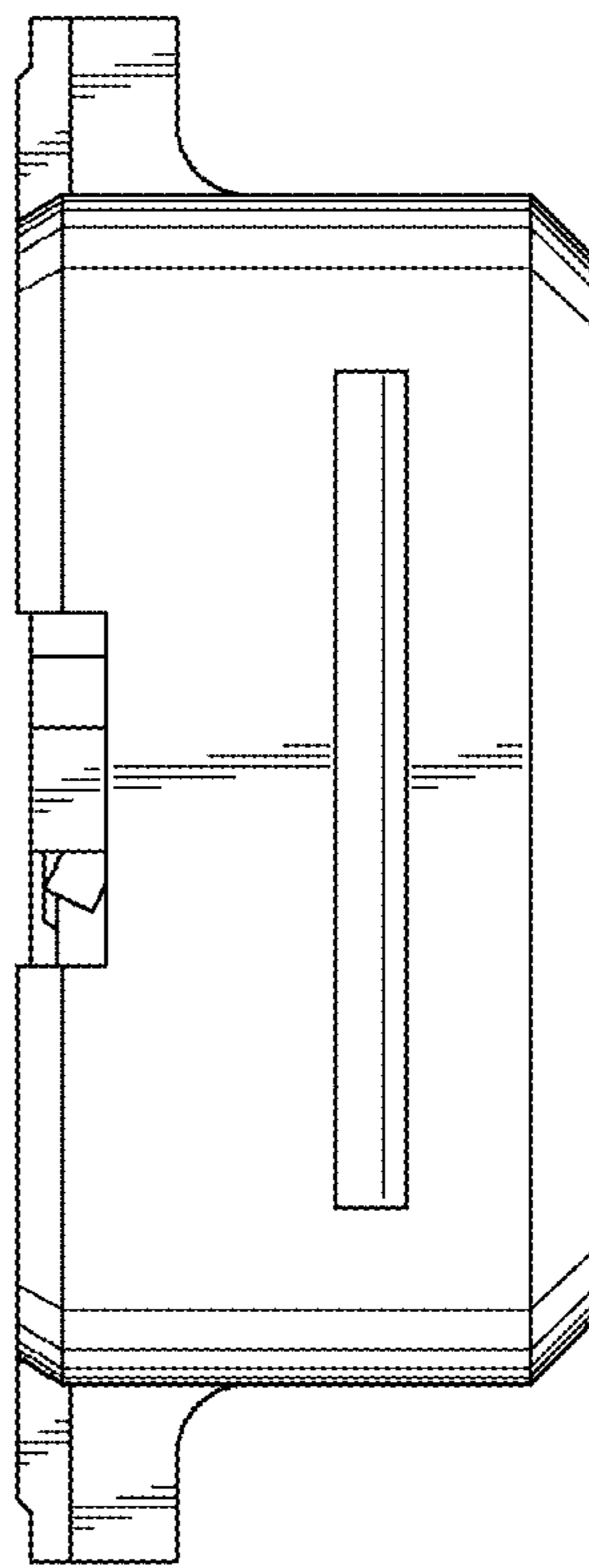


Fig. 8