



US00D918145S

(12) **United States Design Patent**
Varjabedian

(10) **Patent No.:** **US D918,145 S**

(45) **Date of Patent:** **** May 4, 2021**

(54) **CHARGER LOCK**

(71) Applicant: **Shaant Varjabedian**, Tampa, FL (US)

(72) Inventor: **Shaant Varjabedian**, Tampa, FL (US)

(**) Term: **15 Years**

(21) Appl. No.: **29/724,753**

(22) Filed: **Feb. 19, 2020**

(51) **LOC (13) Cl.** **13-02**

(52) **U.S. Cl.**
USPC **D13/118**

(58) **Field of Classification Search**

USPC ... D13/101, 110, 118, 133, 137.1, 154, 156,
D13/184, 199; D8/349, 354, 355, 356,
D8/367, 395; D14/251, 252, 253, 432,
D14/433

CPC H01R 13/64; H01R 13/73; H01R 13/6395;
H01R 31/065

See application file for complete search history.

(56) **References Cited**

U.S. PATENT DOCUMENTS

D325,564 S * 4/1992 Lemke D13/154
D440,005 S * 4/2001 Blanton 24/16 R
7,014,493 B1 * 3/2006 Battard H01R 13/6395
439/371

7,056,145 B2 * 6/2006 Campbell, III H01R 13/6395
174/67

7,384,304 B1 * 6/2008 Fawcett H01R 13/6395
439/567

D610,901 S * 3/2010 Jones D8/394

D739,853 S * 9/2015 Lee D14/253

10,439,327 B1 * 10/2019 Cyzen H01R 25/006

* cited by examiner

Primary Examiner — Derrick E Holland

(57) **CLAIM**

The ornamental design for a charger lock, as shown and described.

DESCRIPTION

FIG. 1 is a front top left perspective view of a charger lock showing my new design;

FIG. 2 is a front top right perspective view thereof;

FIG. 3 is a back bottom left perspective view thereof;

FIG. 4 is a front view thereof;

FIG. 5 is a left side view thereof;

FIG. 6 is a right side view thereof;

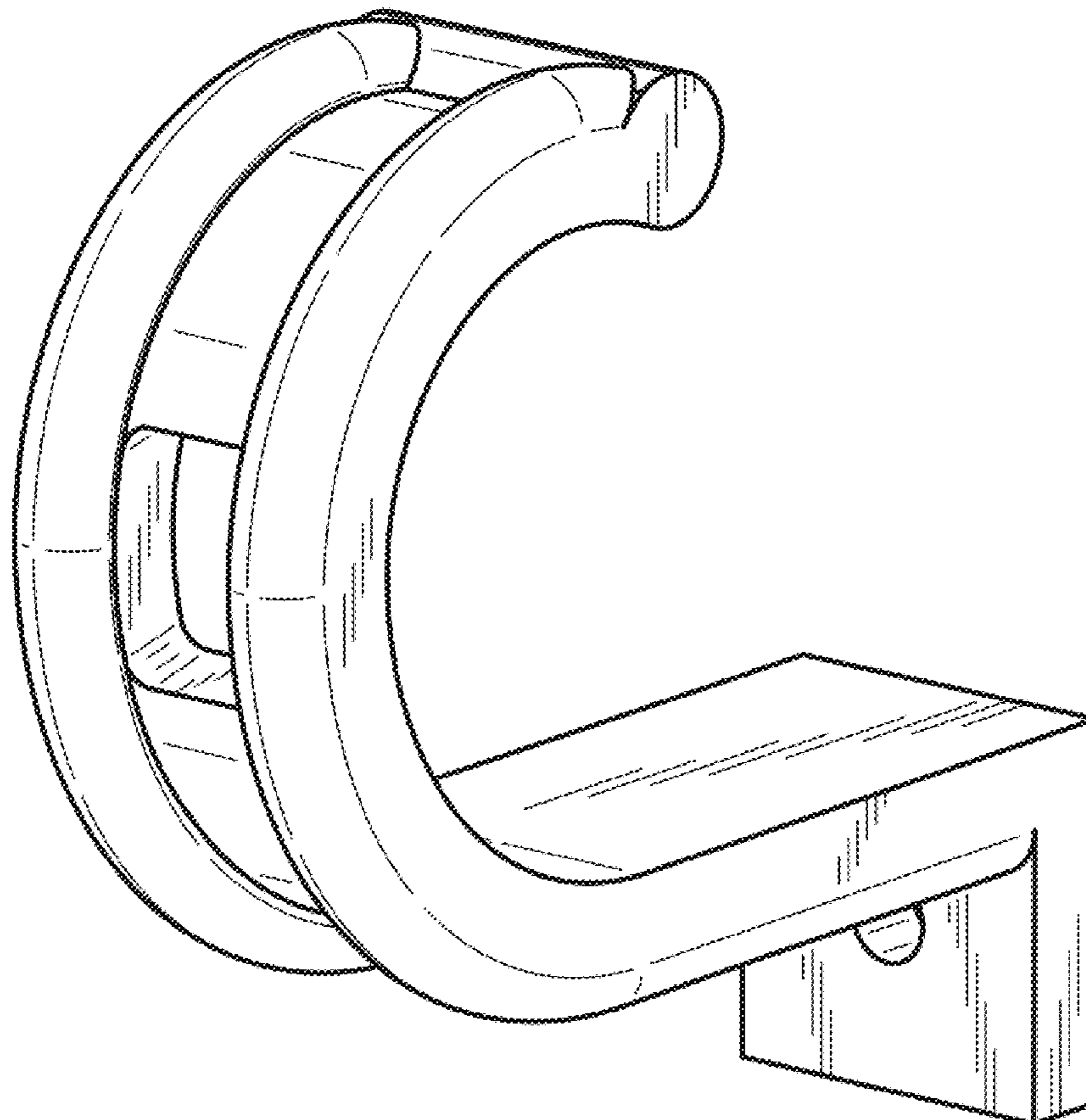
FIG. 7 is a top view thereof;

FIG. 8 is a bottom view thereof; and,

FIG. 9 is a front top left perspective view thereof, shown in environmental use.

The broken lines shown represent environmental subject matter and forms no part of the claimed design.

1 Claim, 3 Drawing Sheets



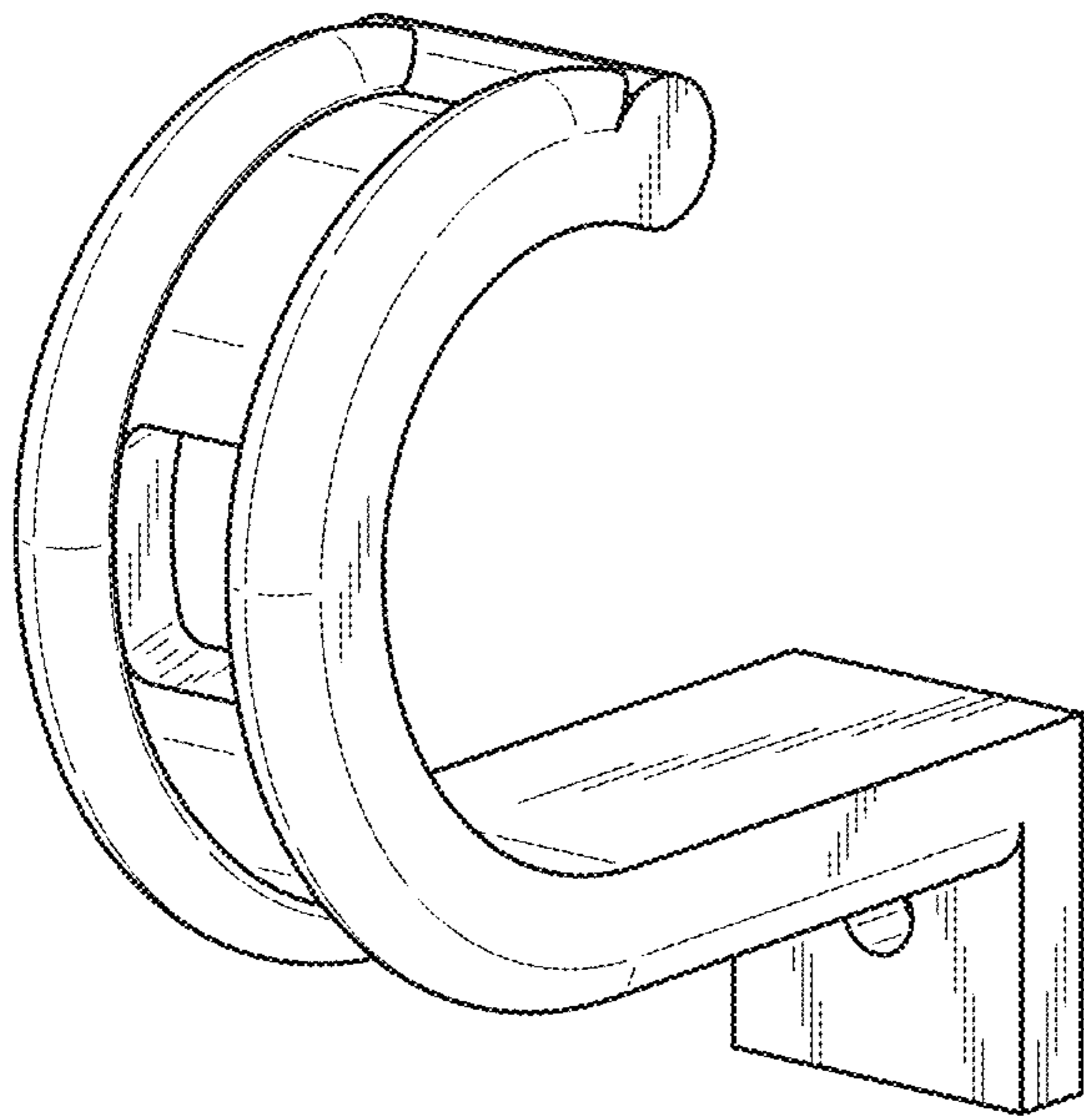


FIG. 1

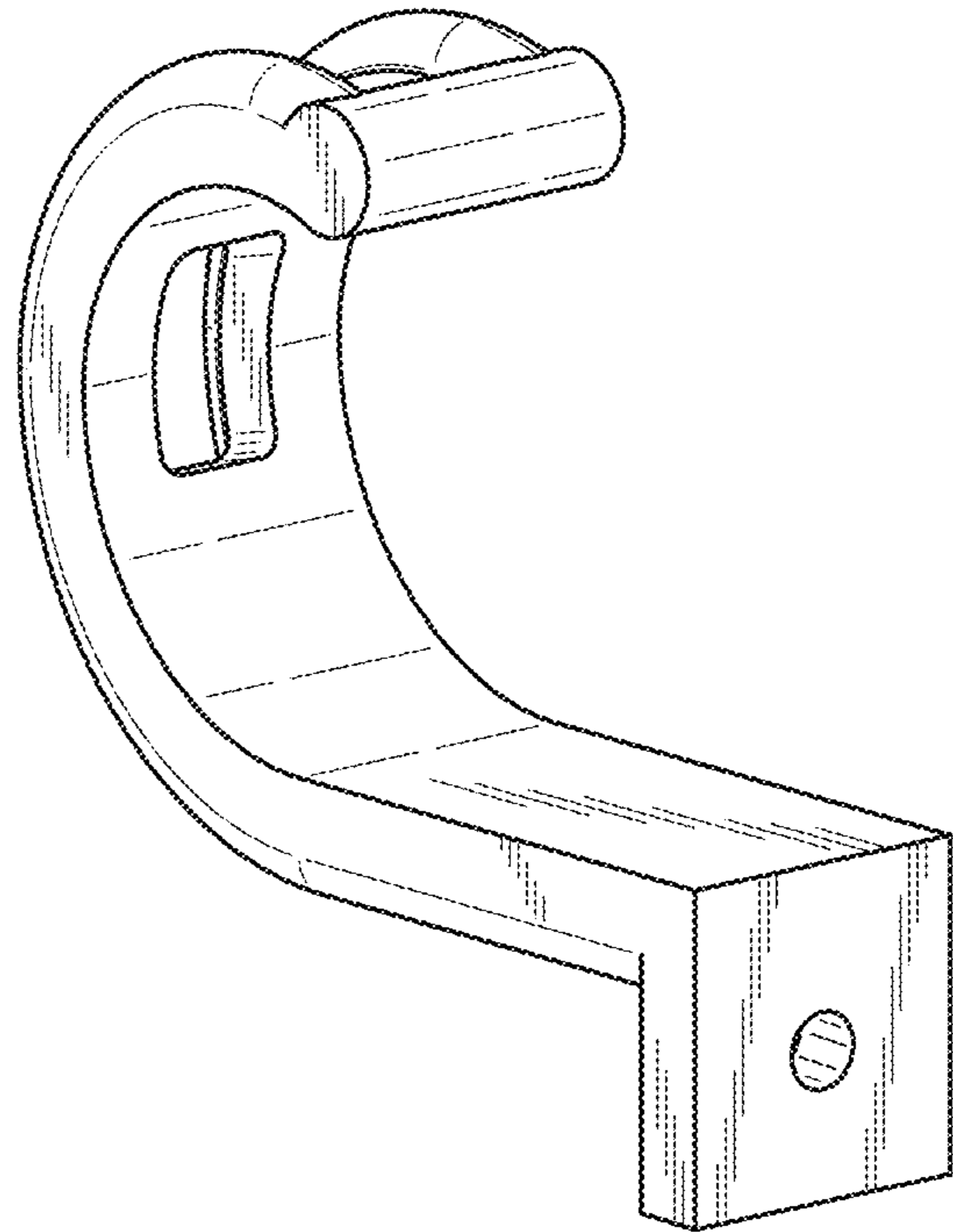


FIG. 2

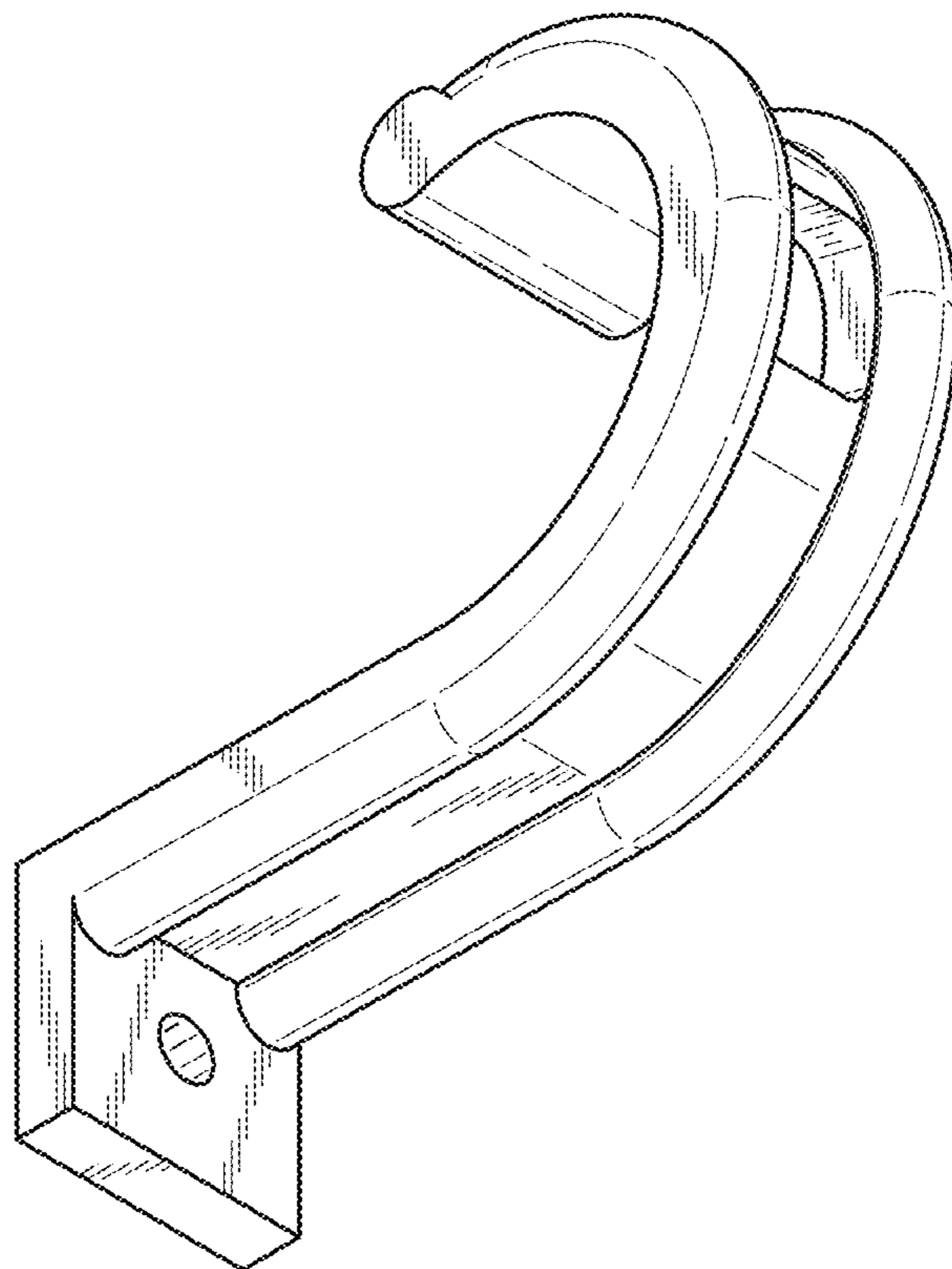


FIG. 3

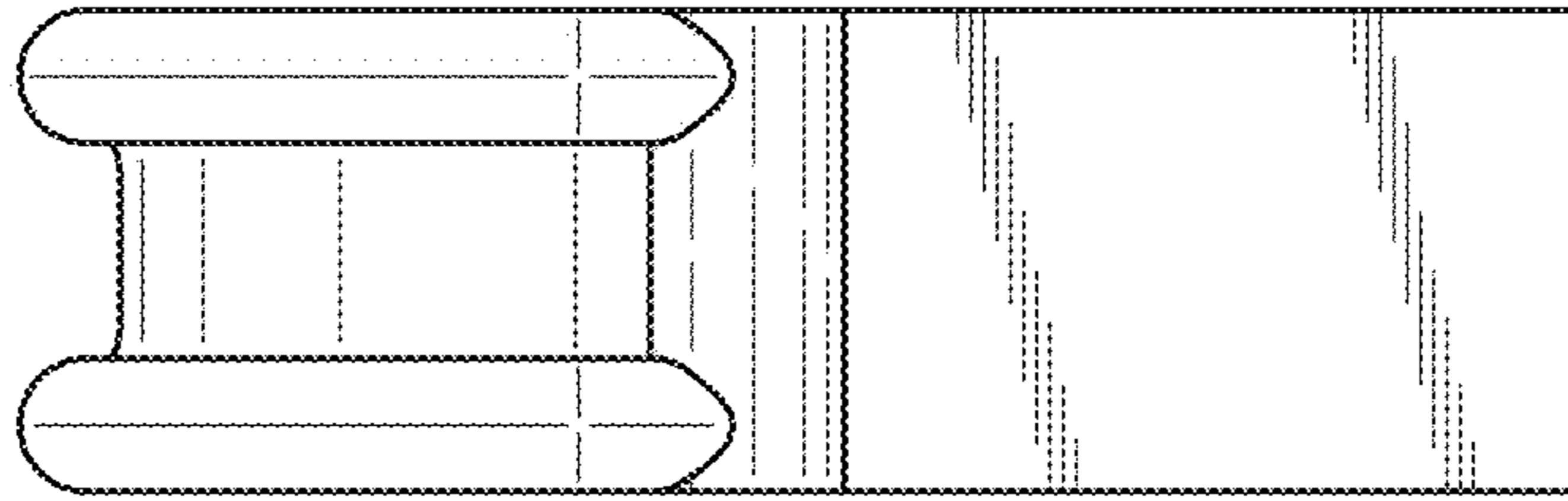


FIG. 7

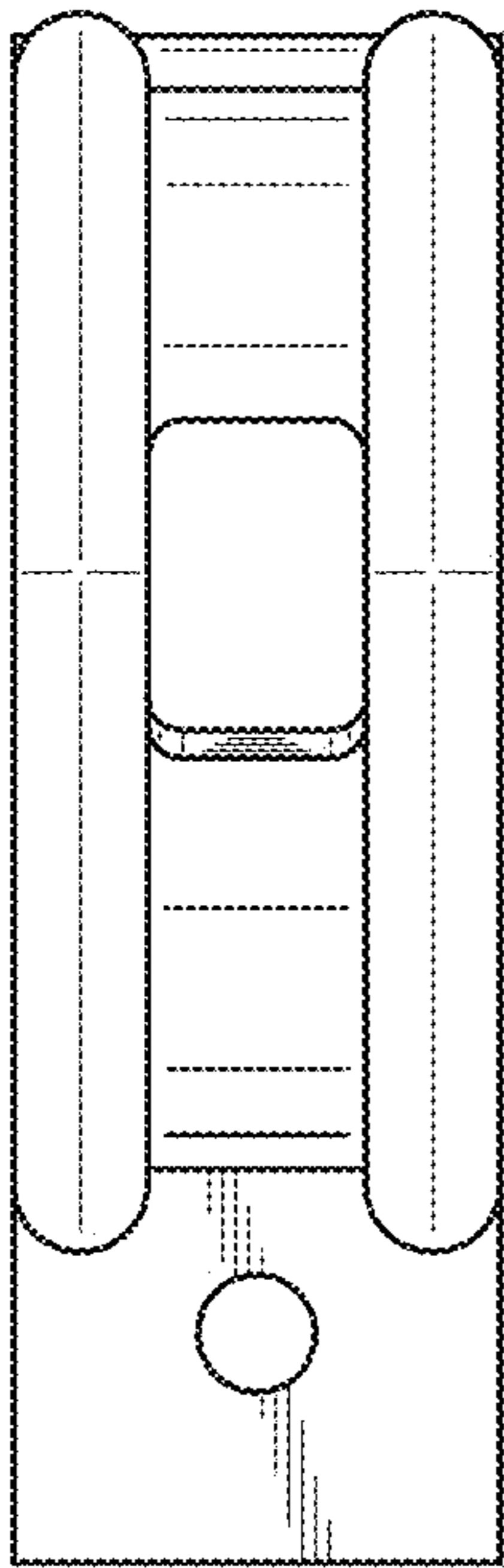


FIG. 5

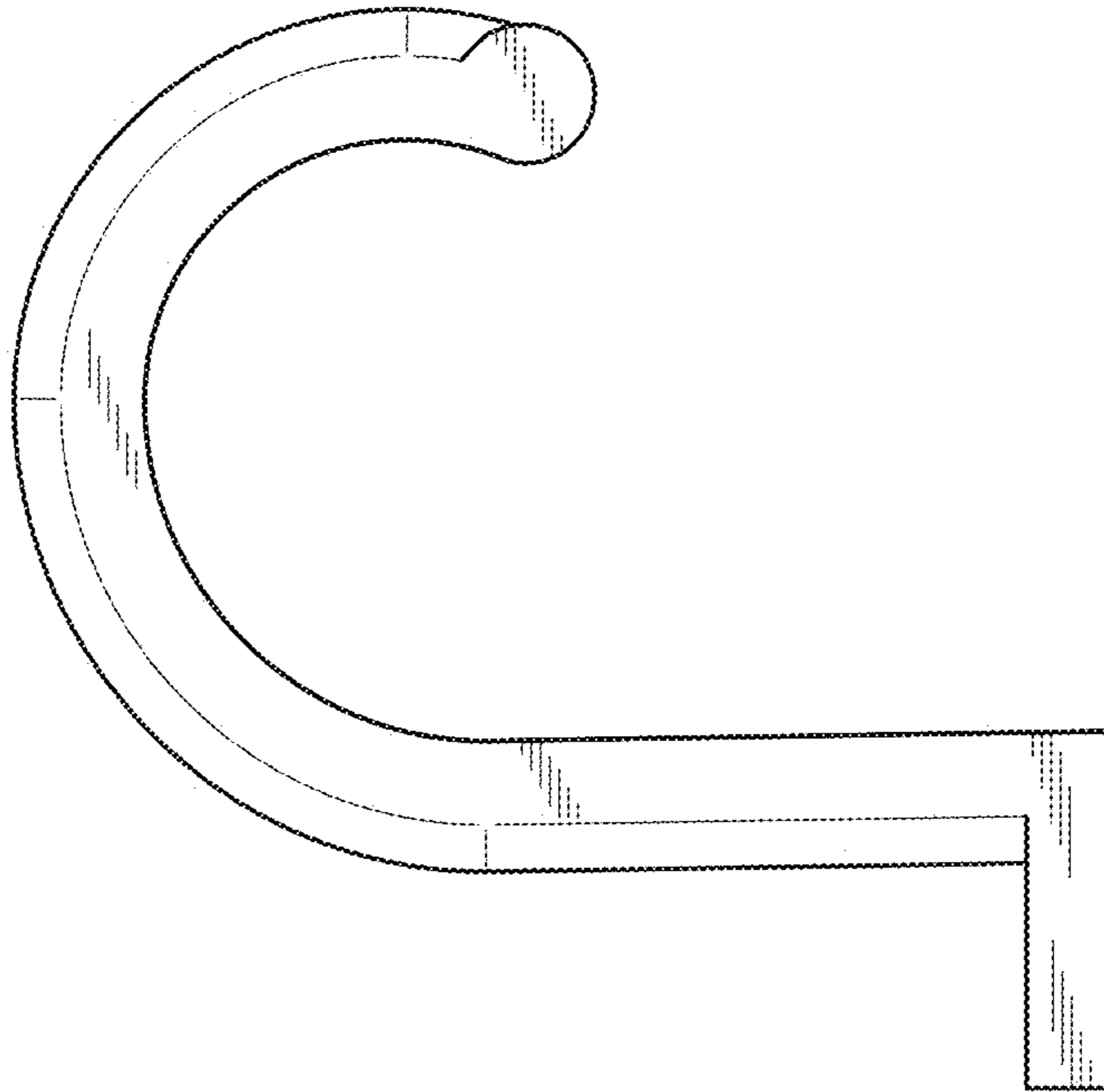


FIG. 4

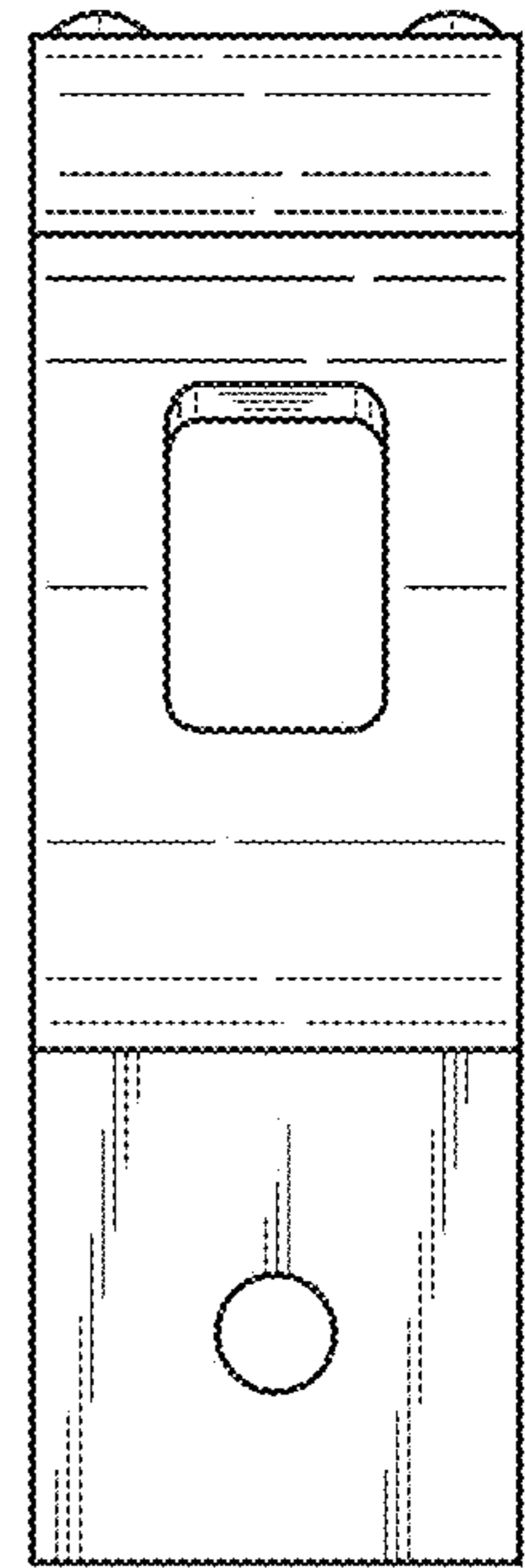


FIG. 6

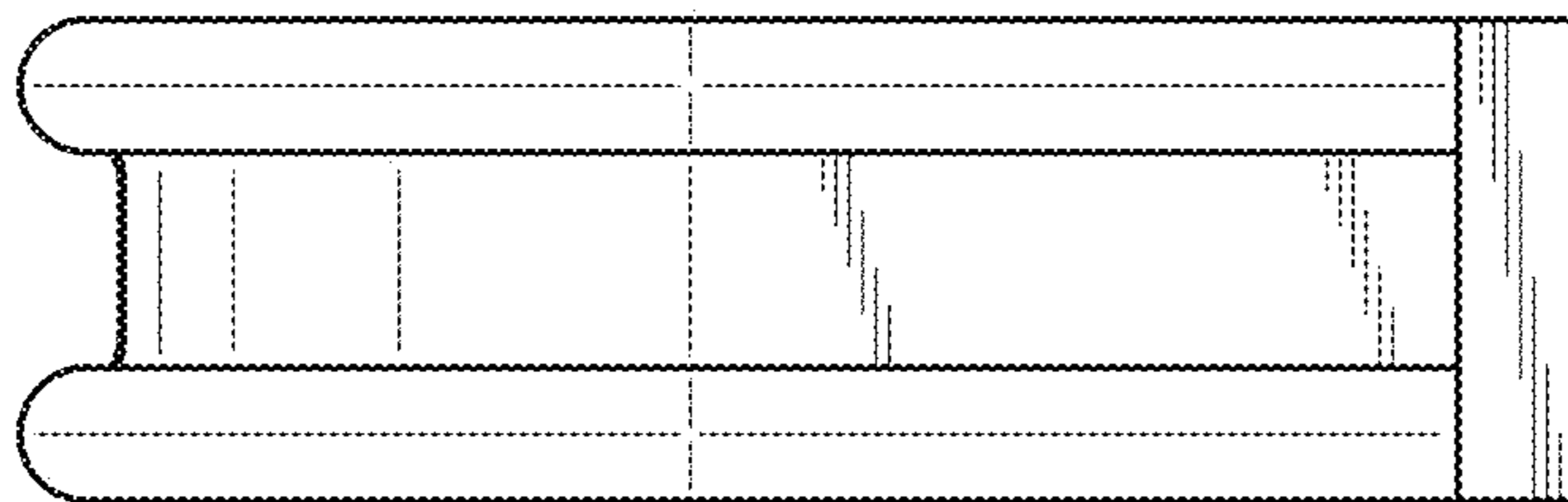


FIG. 8

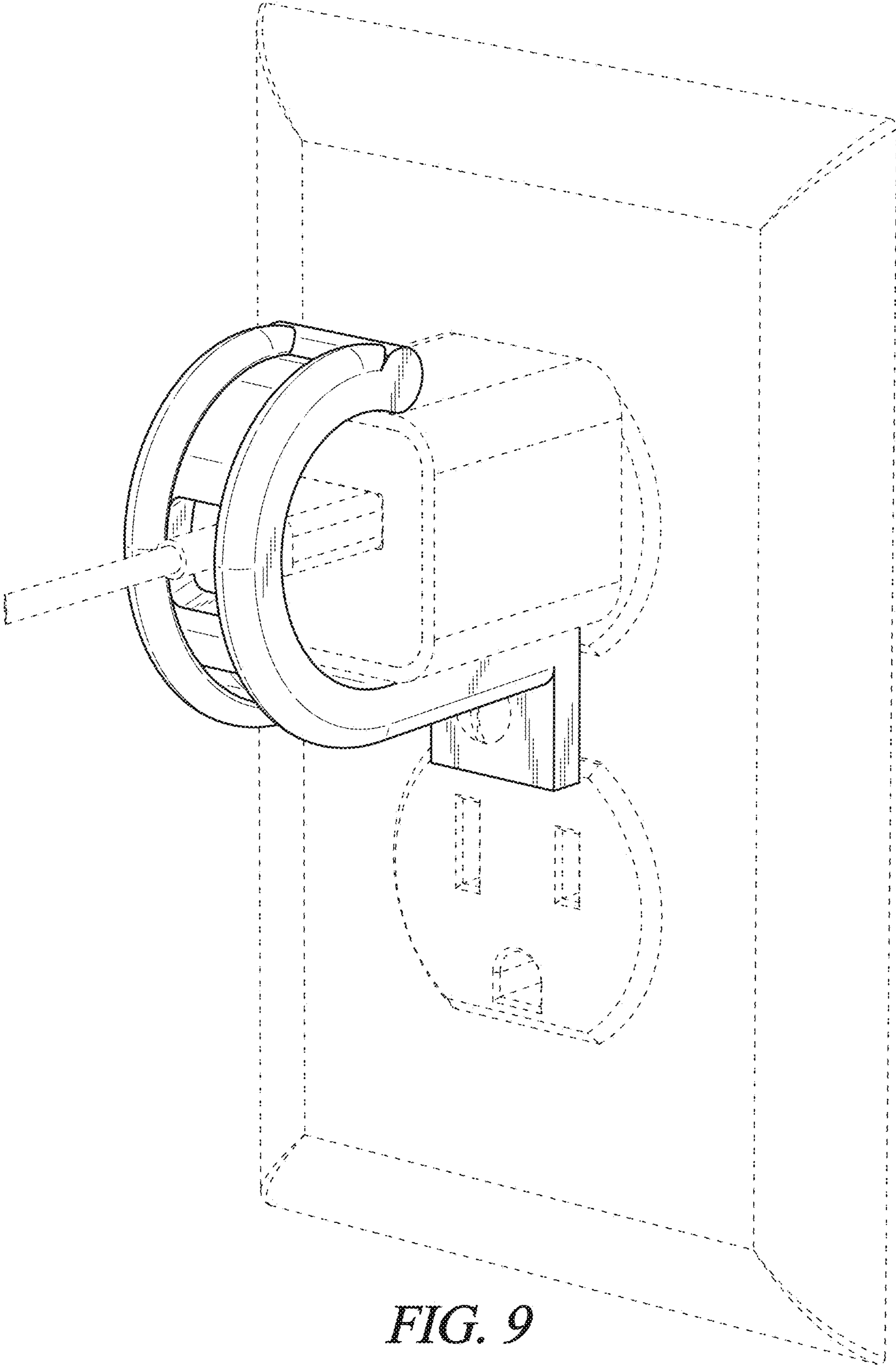


FIG. 9