



US00D918139S

(12) **United States Design Patent** (10) **Patent No.:** **US D918,139 S**
Helgesen et al. (45) **Date of Patent:** **** May 4, 2021**

(54) **POWER SUPPLY CONTROL DEVICE**

(71) Applicant: **Zola Electric Labs Inc.**, San Francisco, CA (US)

(72) Inventors: **Xavier Helgesen**, San Francisco, CA (US); **Joshua Pierce**, Chico, CA (US); **Claudio Vergara**, San Francisco, CA (US)

(73) Assignee: **Zola Electric Labs Inc.**, San Francisco, CA (US)

(**) Term: **15 Years**

(21) Appl. No.: **29/713,401**

(22) Filed: **Nov. 15, 2019**

(51) **LOC (13) Cl.** **13-02**

(52) **U.S. Cl.**

USPC **D13/110**

(58) **Field of Classification Search**

USPC D13/101, 102, 103, 107, 108, 110, 118, D13/119, 123, 184, 199; D14/251, 253, D14/432, 434

CPC .. H02J 7/00; H02J 7/027; H02J 7/0042; H02J 7/0045; H02J 7/0047; H02J 7/0048; H02J 7/0063; H02J 7/32; H02J 7/1423; H02M 7/00; H02M 7/003; H01M 2/202; H01M 2/204; H01M 2/1022; H01M 2/342; H05K 5/0247; H05K 5/003; H05K 5/023; Y02T 10/7005; Y02T 10/705; Y02T 10/7088

See application file for complete search history.

(56) **References Cited**

U.S. PATENT DOCUMENTS

5,949,640 A * 9/1999 Cameron H05K 5/0247 361/600
D426,810 S * 6/2000 Wei D13/110

D444,125 S 6/2001 Shy
D491,523 S * 6/2004 Chi D13/110
D554,584 S * 11/2007 Feldman D13/110
D616,377 S * 5/2010 Bussen D13/162.1
D662,052 S 6/2012 Rucareanu et al.
D664,499 S 7/2012 Workman et al.
D670,244 S 11/2012 Workman et al.
D702,184 S * 4/2014 Jacobs D13/110
D773,992 S 12/2016 Krantz et al.
2012/0025766 A1 * 2/2012 Reade H05K 5/023 320/110

* cited by examiner

Primary Examiner — Derrick E Holland

(74) *Attorney, Agent, or Firm* — Kanika Radhakrishnan; Evergreen Valley Law Group

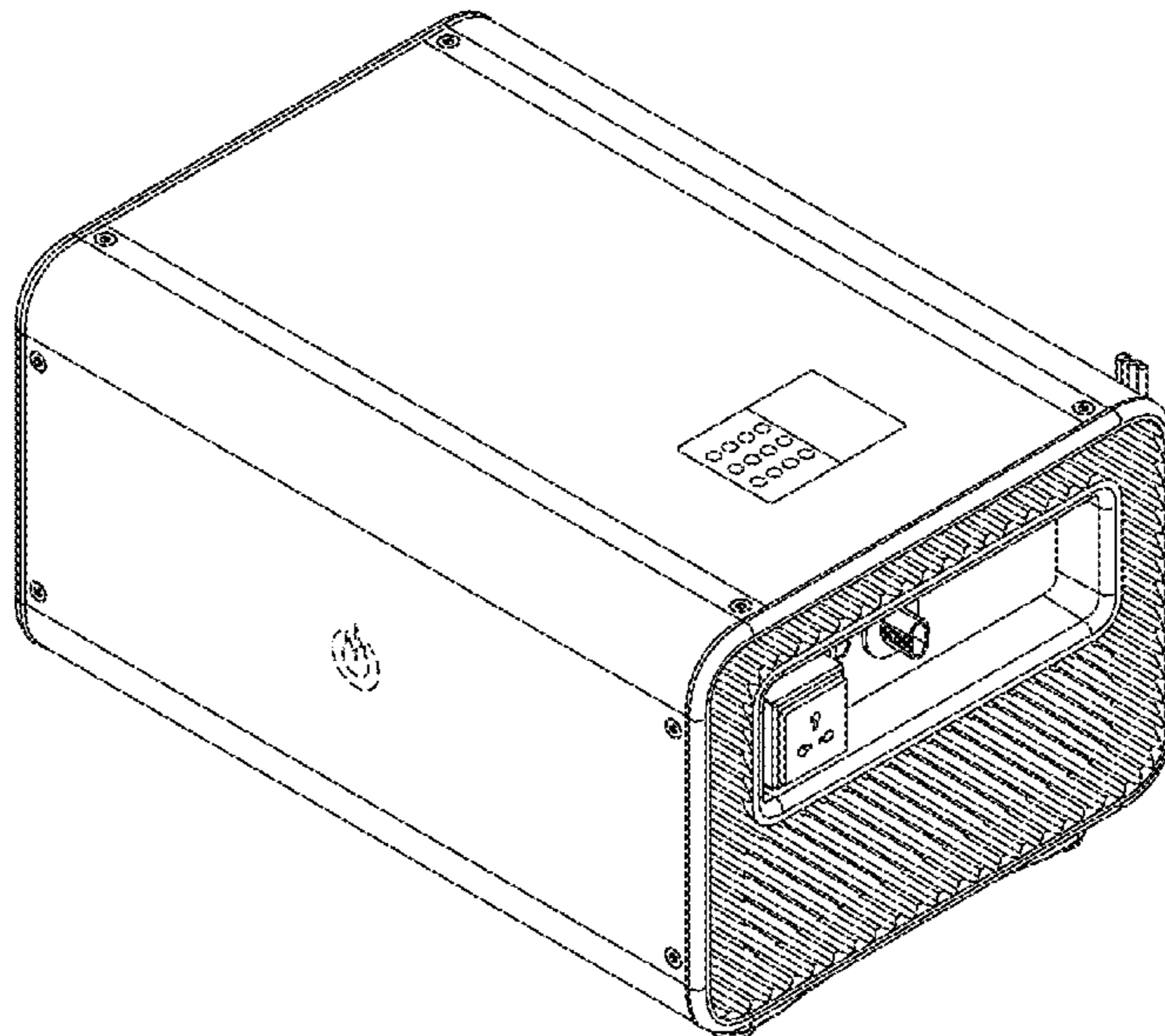
(57) **CLAIM**

The ornamental design for a “power supply control device,” as shown and described.

DESCRIPTION

FIG. 1 is a perspective view of a power supply control device showing the new design; FIG. 2 is a front view of the power supply control device of FIG. 1; FIG. 3 is a rear view of the power supply control device of FIG. 1; FIG. 4 is a left side view of the power supply control device of FIG. 1; FIG. 5 is a right side view of the power supply control device of FIG. 1; FIG. 6 is a top view of the power supply control device of FIG. 1; and, FIG. 7 is a bottom view of the power supply control device of FIG. 1. The broken lines shown represent the portions of the power supply control device that form no part of the claimed design.

1 Claim, 7 Drawing Sheets



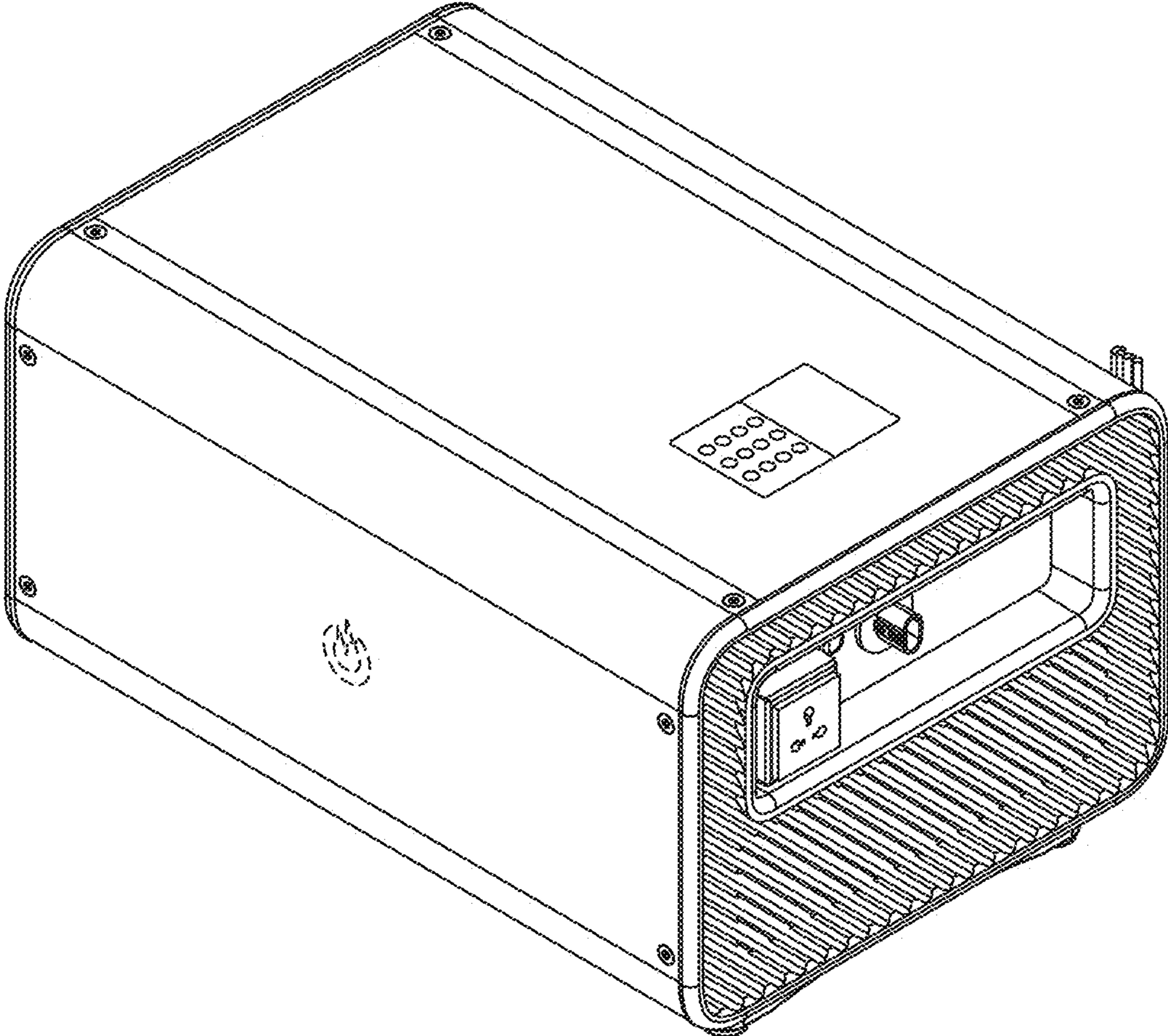


FIG. 1

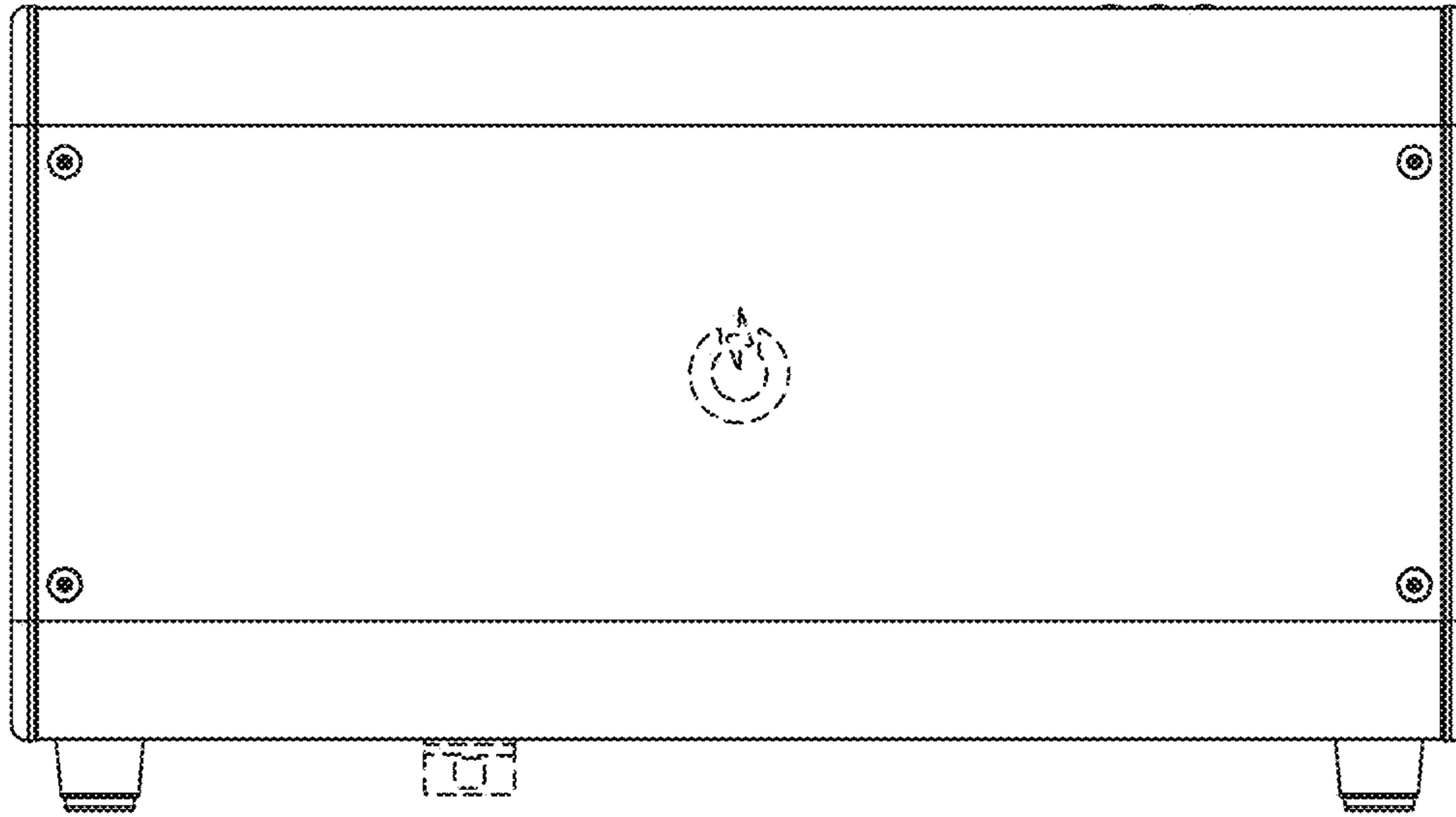


FIG. 2

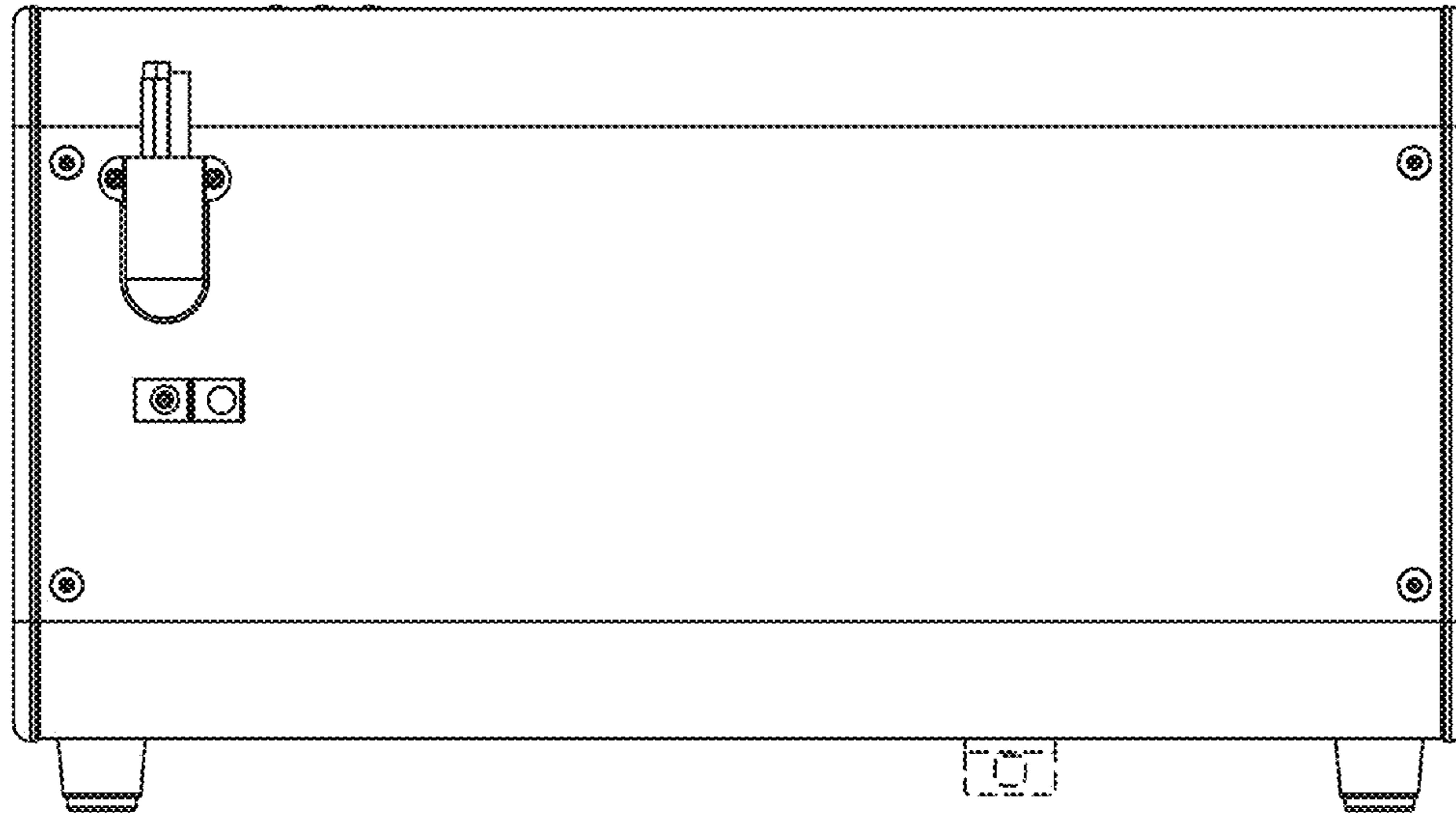


FIG. 3

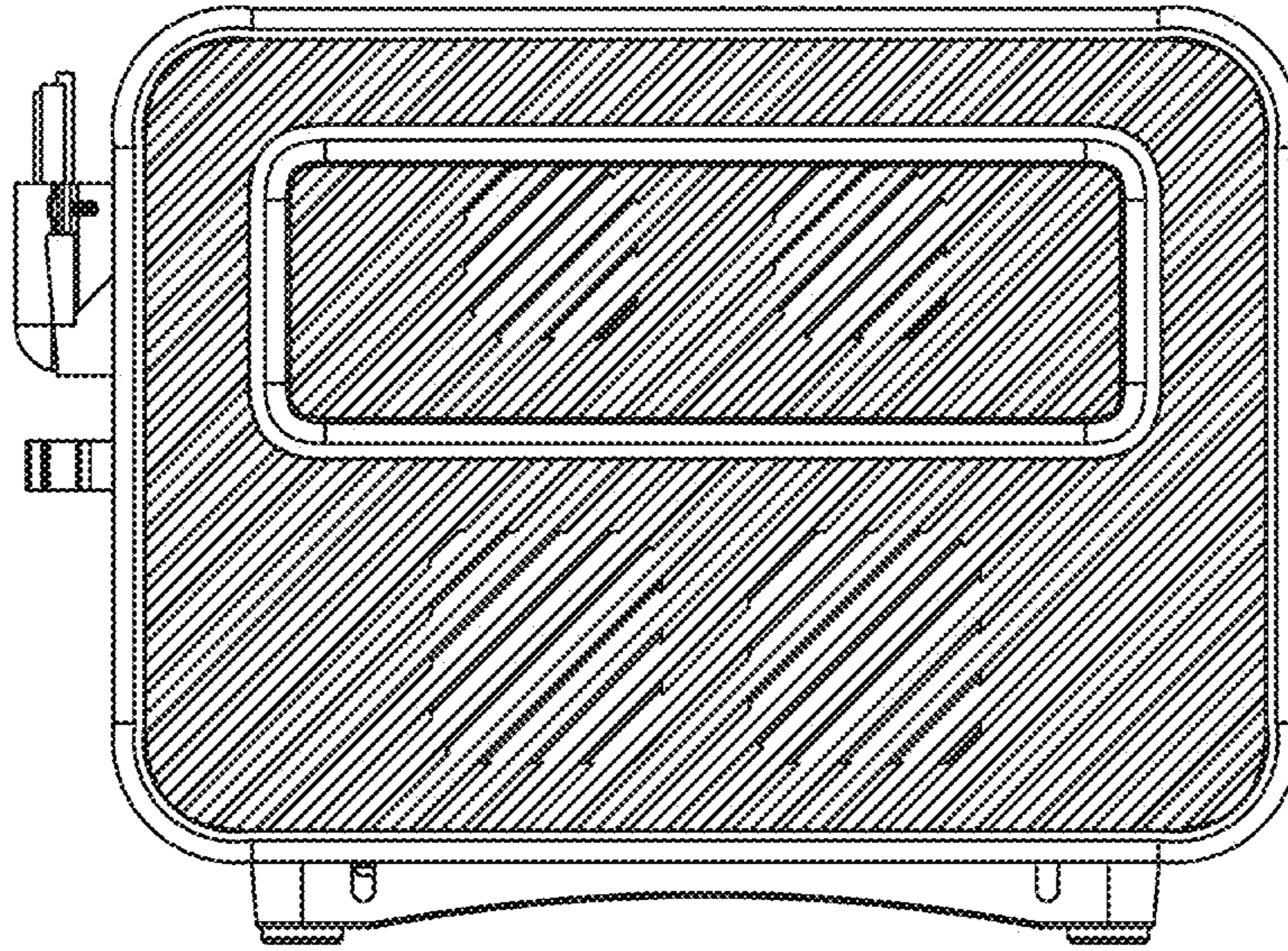


FIG. 4

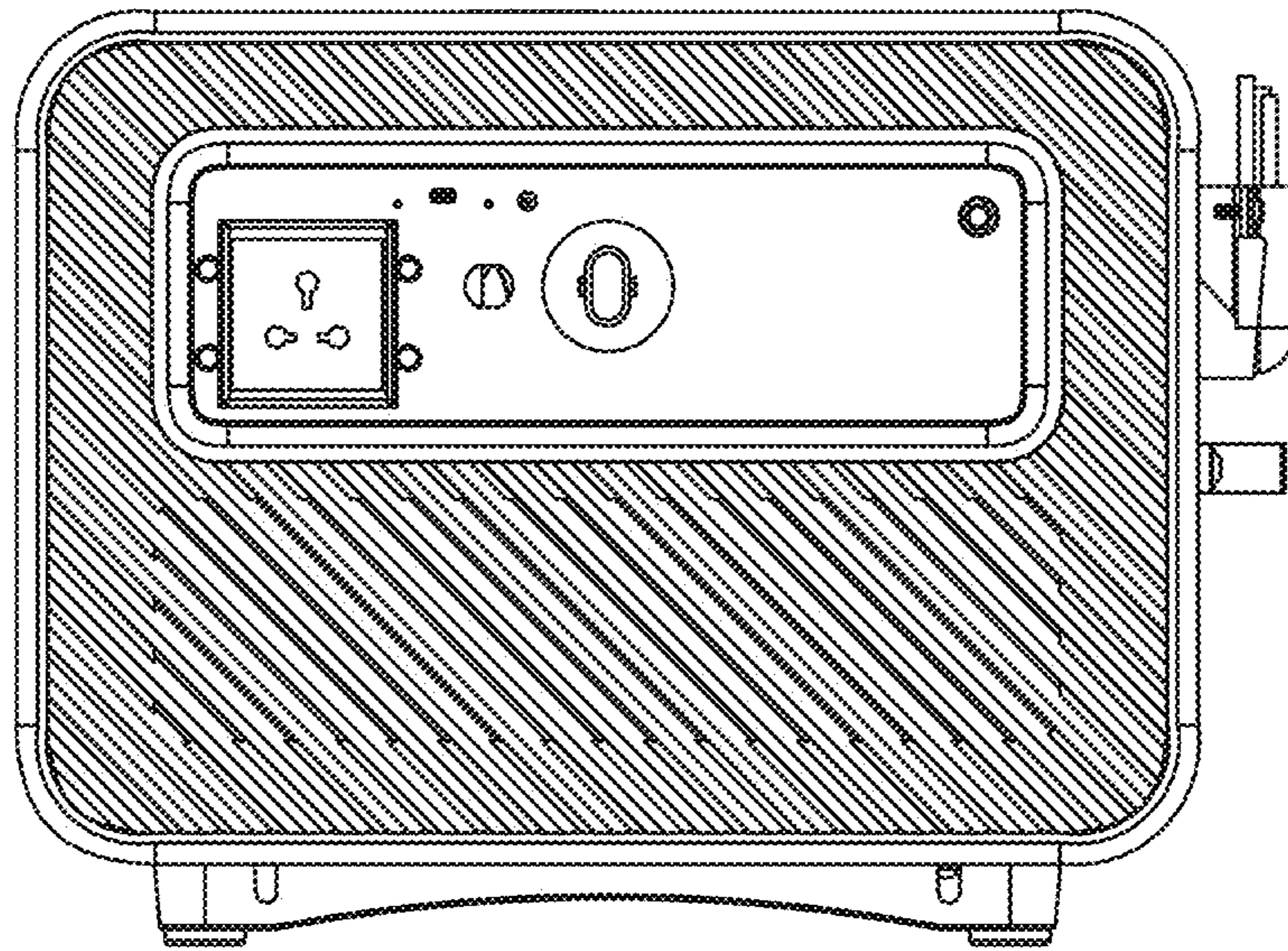


FIG. 5

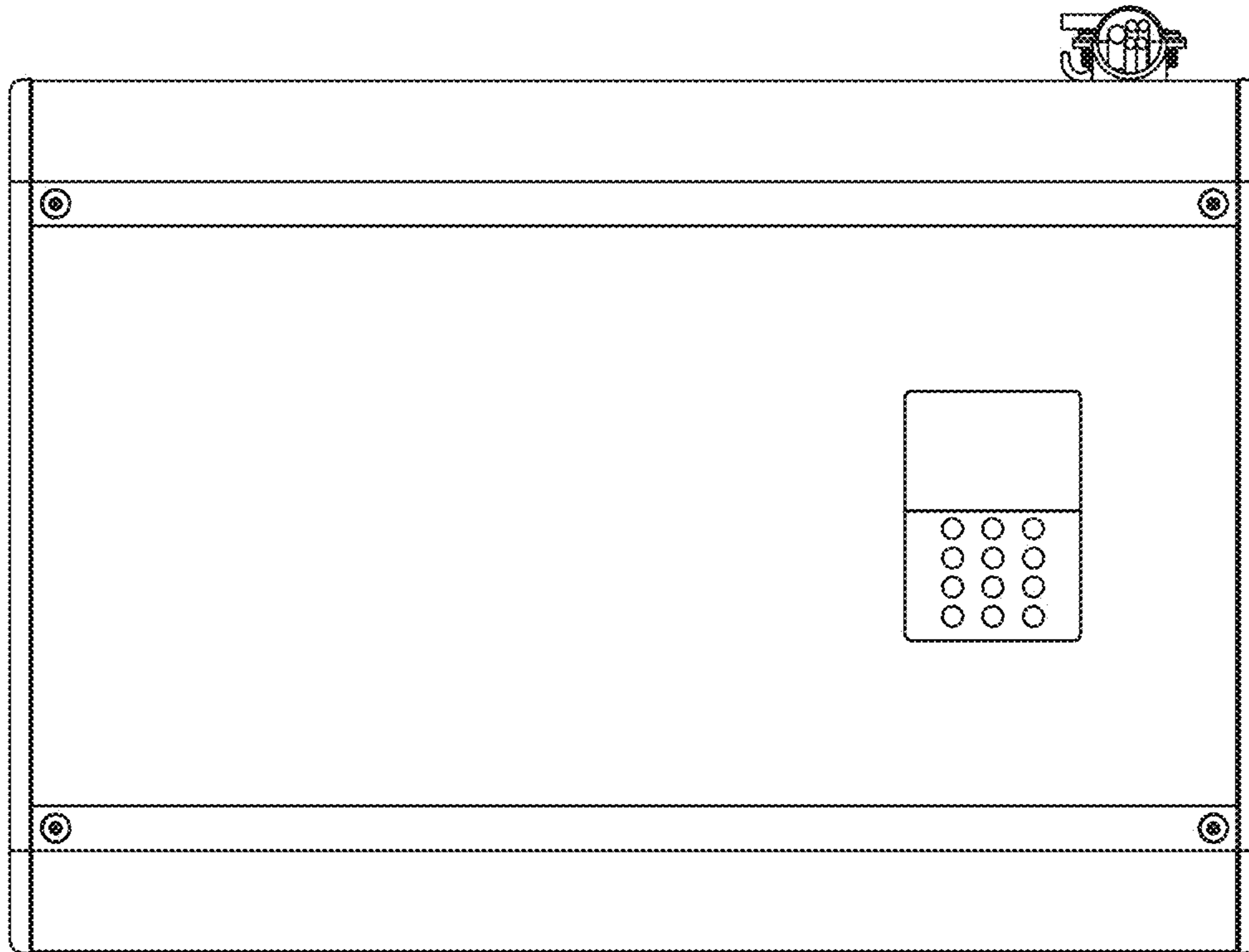


FIG. 6

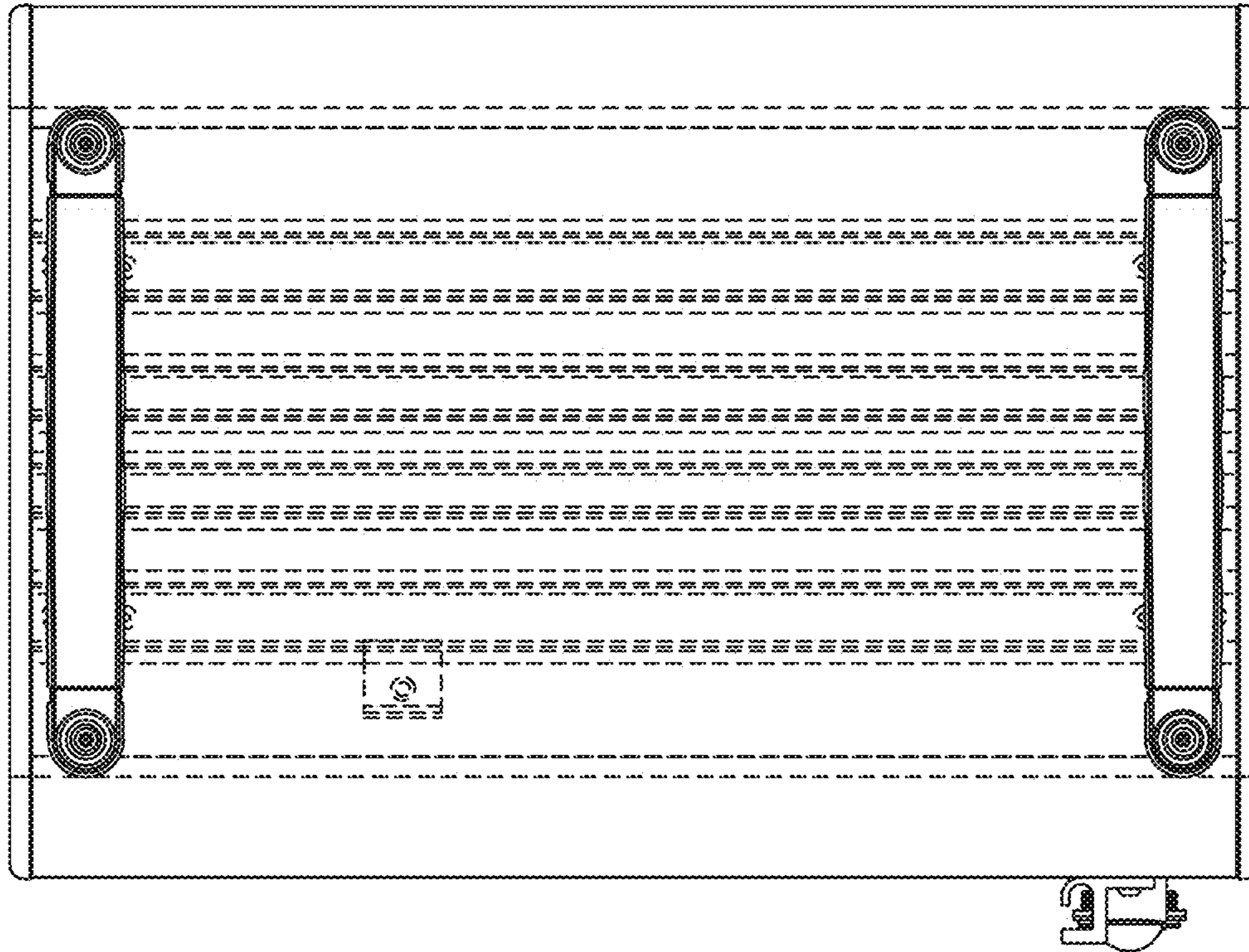


FIG. 7