



US00D918137S

(12) **United States Design Patent** (10) **Patent No.:** **US D918,137 S**
Painter et al. (45) **Date of Patent:** **** May 4, 2021**

(54) **TRACKING DEVICE CHARGING DOCK**

(71) Applicant: **T-Mobile USA, Inc.**, Bellevue, WA (US)

(72) Inventors: **Christopher Painter**, Kirkland, WA (US); **Parag Garg**, Woodinville, WA (US); **Joseph Baird**, Bellevue, WA (US); **Aaron Takeshi Sisneros**, Oakland, CA (US); **Jeffrey Scott Croyle**, San Francisco, CA (US); **Daniel Hundt**, San Francisco, CA (US)

(73) Assignee: **T-Mobile USA, Inc.**, Bellevue, WA (US)

(**) Term: **15 Years**

(21) Appl. No.: **29/693,293**

(22) Filed: **May 31, 2019**

(51) **LOC (13) Cl.** **13-02**

(52) **U.S. Cl.**
USPC **D13/108**

(58) **Field of Classification Search**
USPC D13/103, 107-108, 110, 184, 199;
D14/251, 253, 432, 434; D27/193, 194
CPC H02J 7/0044; H02J 7/0045; H02J 7/0042;
H02J 7/342; H02J 7/345; H02J 7/025;
H02J 7/026; H02J 7/0007; H02J 7/0027;
H02J 7/0003; H02J 50/10; B60R 16/033
See application file for complete search history.

(56) **References Cited**

U.S. PATENT DOCUMENTS

4,260,180	A	4/1981	Halushka et al.	
D475,417	S *	6/2003	Wintersteiger	D14/432
D476,376	S *	6/2003	Wintersteiger	D14/432
D526,973	S *	8/2006	Gates	D13/168
7,226,321	B2	6/2007	Uhari	
D558,208	S *	12/2007	Ikeda	D14/434
D558,209	S *	12/2007	Ikeda	D14/434

D575,289	S *	8/2008	Kuo	D14/434
7,431,027	B2	10/2008	Carpenter et al.	
D585,898	S *	2/2009	Skurdal	D14/434
8,148,701	B2	4/2012	Yoder	
D680,541	S *	4/2013	Lee	D14/217
8,552,403	B2	10/2013	Yoder et al.	
D693,814	S *	11/2013	Park	D14/434

(Continued)

Primary Examiner — Rosemary K Tarcza

(74) *Attorney, Agent, or Firm* — Han Santos, PLLC

(57) **CLAIM**

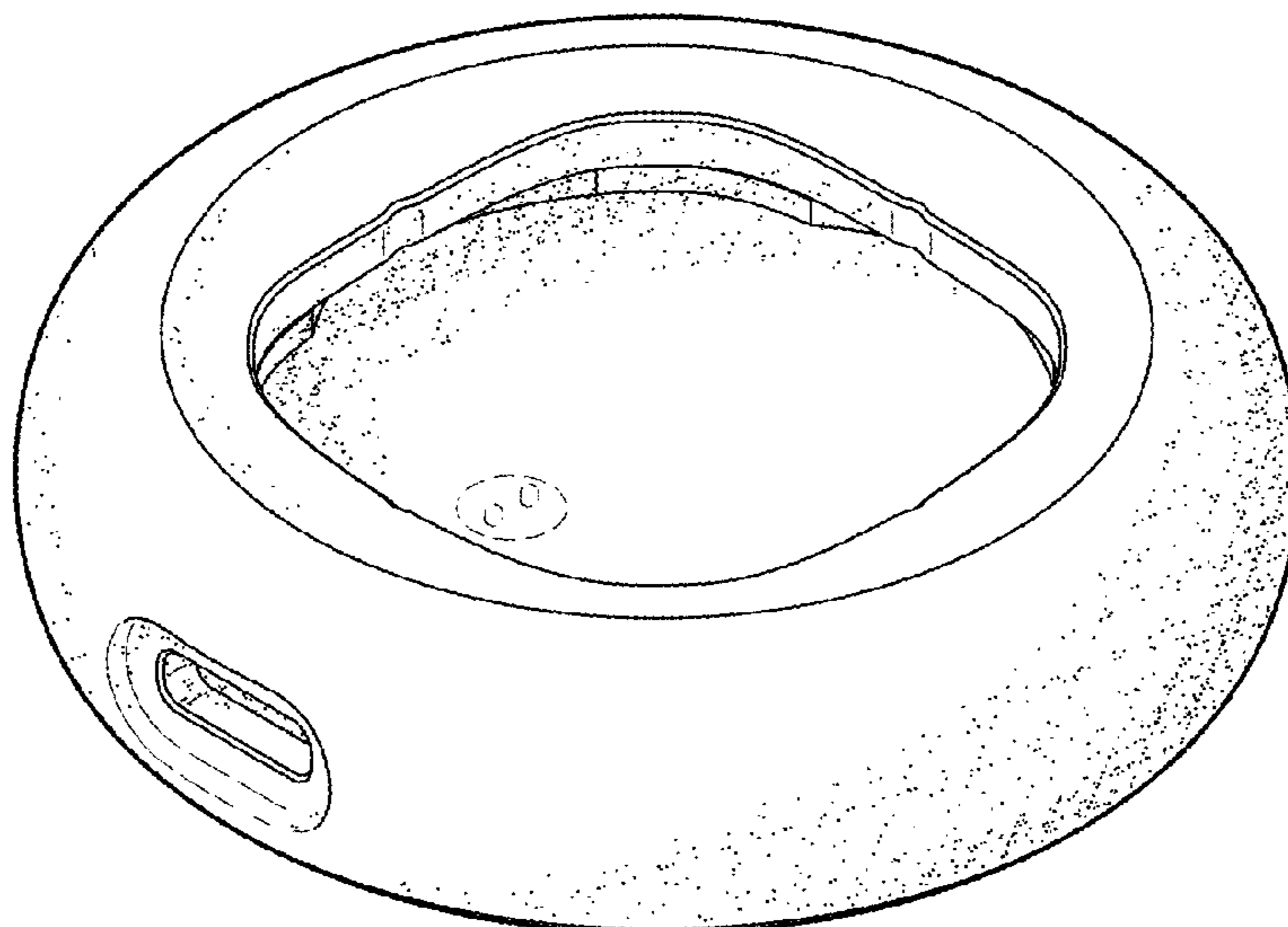
The ornamental design for a tracking device charging dock, as shown and described.

DESCRIPTION

FIG. 1 is a perspective view of a tracking device charging dock taken from the top, right, and front; FIG. 2 is another perspective view of the tracking device charging dock taken from the bottom, back, and left; FIG. 3 is a front elevation view of the tracking device charging dock of FIG. 1; FIG. 4 back elevation view of the tracking device charging dock of FIG. 1; FIG. 5 is a cross-sectional view of the tracking device charging dock, taken along line 5-5 shown in FIG. 8; FIG. 6 is a right side elevation view of the tracking device charging dock of FIG. 1; FIG. 7 is a left side elevation view of tracking device charging dock of FIG. 1; FIG. 8 is a top plan view of the tracking device charging dock of FIG. 1; FIG. 9 is a cross-sectional view of the tracking device charging dock, taken along line 9-9 shown in FIG. 4; and, FIG. 10 is a bottom plan view of the tracking device charging dock of FIG. 1.

The broken lines shown in the drawings illustrate portions of the tracking device charging dock that form no part of the claimed design.

1 Claim, 7 Drawing Sheets



(56)

References Cited

U.S. PATENT DOCUMENTS

D694,228	S	*	11/2013	Richter	D14/253
D717,244	S	*	11/2014	Reishus	D13/108
D749,442	S		2/2016	Jung et al.		
D749,504	S	*	2/2016	Jeong	D13/108
D768,635	S	*	10/2016	Due	D14/432
D784,259	S	*	4/2017	Huang	D13/108
D802,529	S	*	11/2017	Andersson	D13/108
9,875,628	B2		1/2018	Pokrajac et al.		
D824,851	S	*	8/2018	Antonetti	D13/108
10,436,914	B2		10/2019	Gindraux et al.		
D878,905	S		3/2020	Illouz		
2010/0207769	A1		8/2010	Pokrajac		
2011/0169616	A1		7/2011	Yoder		

* cited by examiner

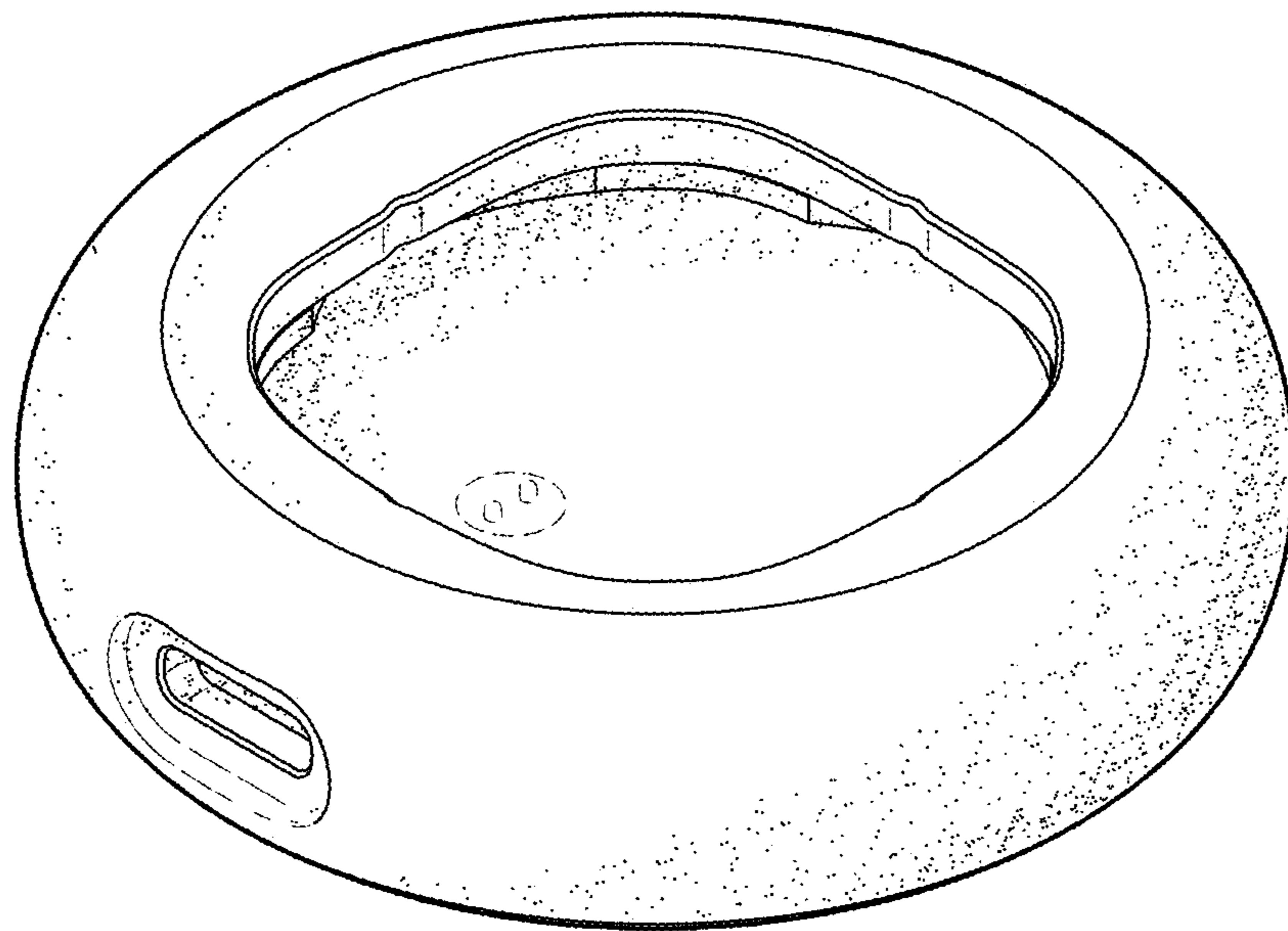


FIG. 1

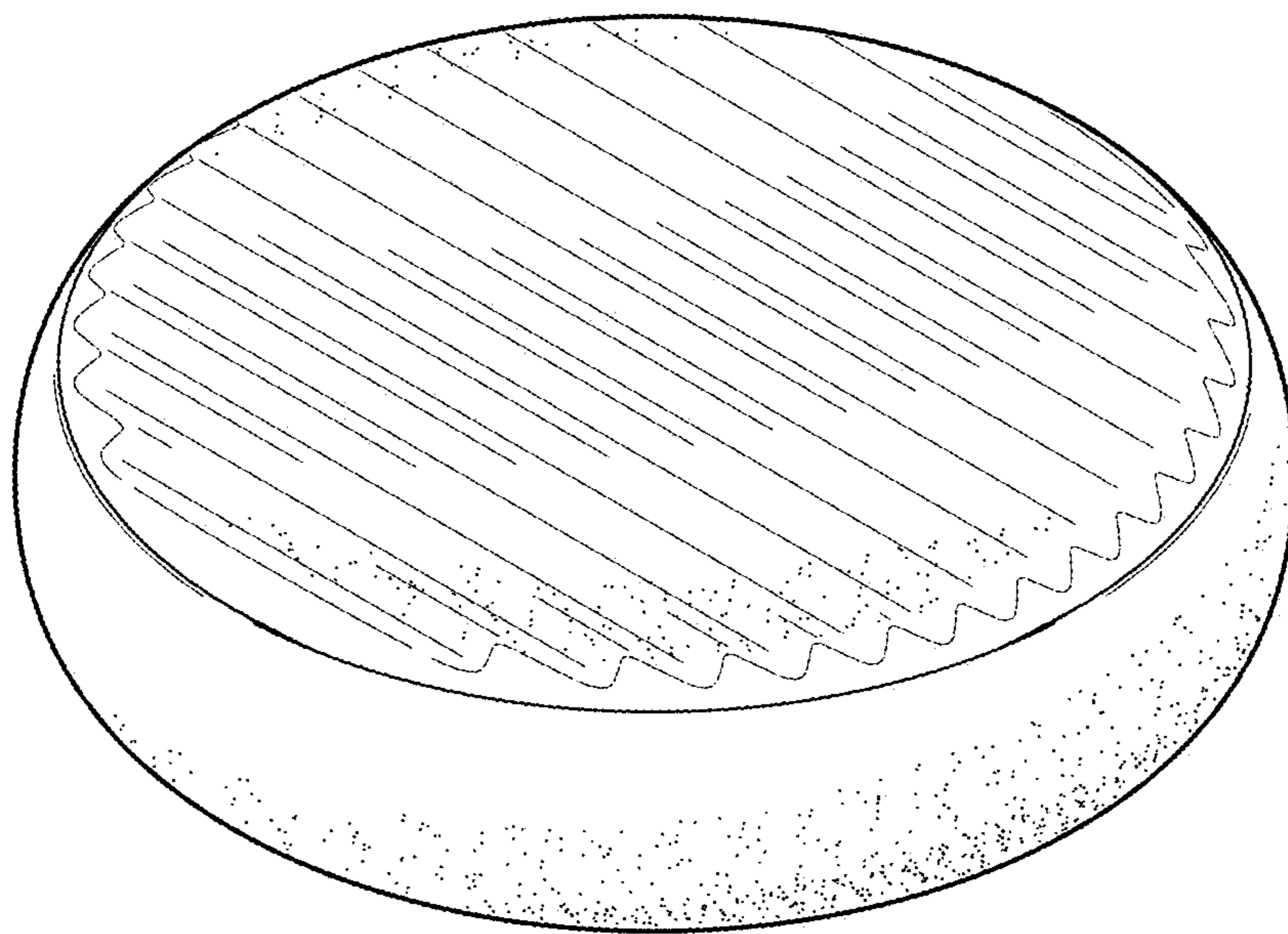


FIG. 2

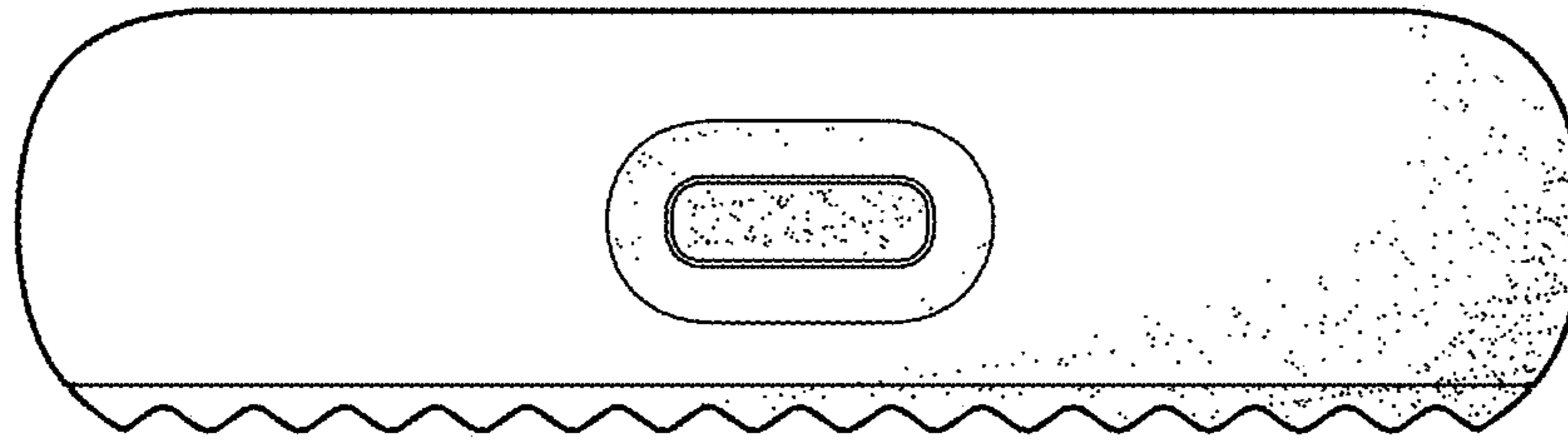


FIG. 3

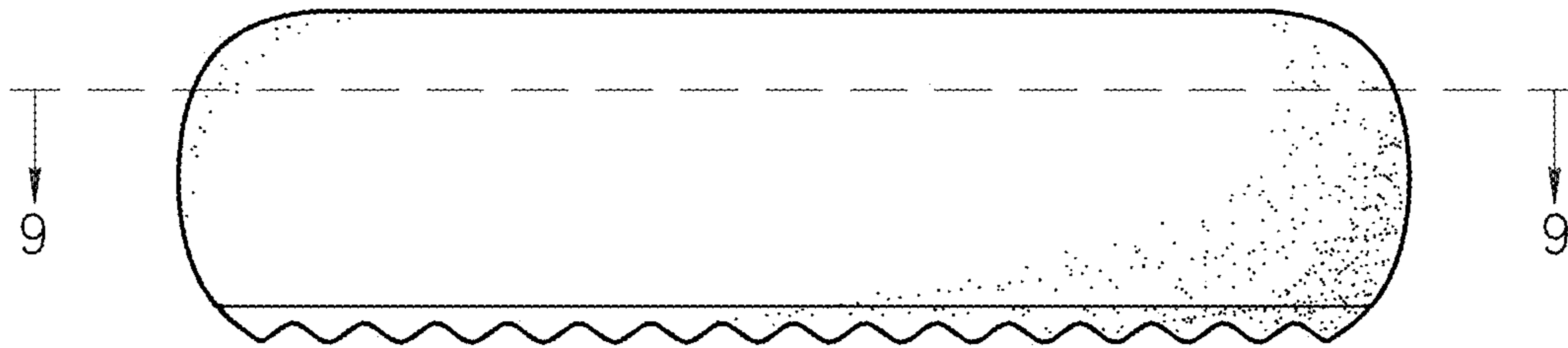


FIG. 4

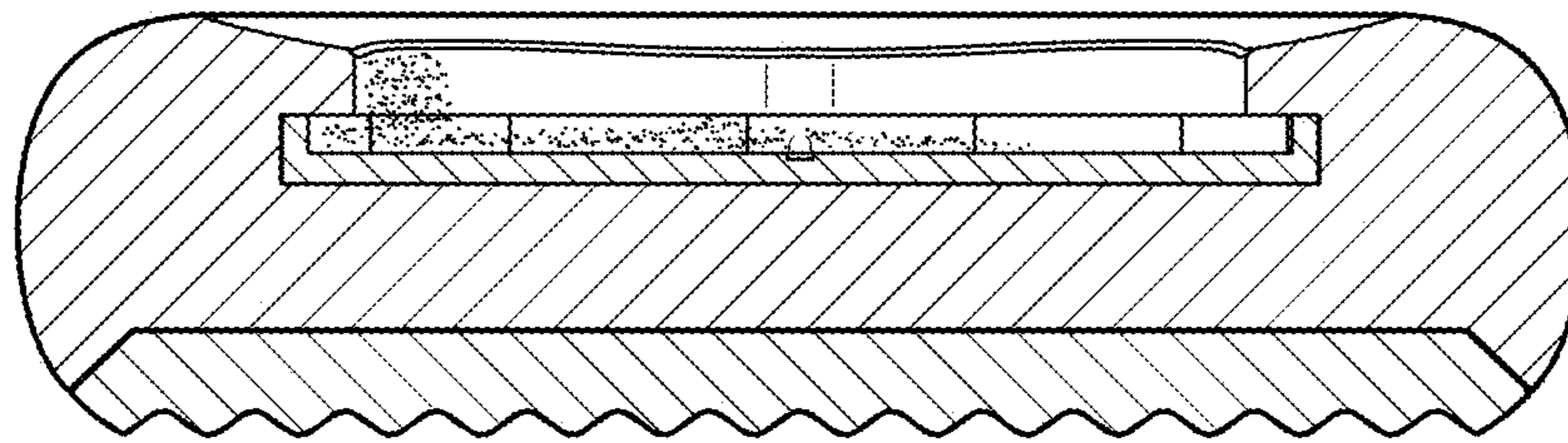


FIG. 5



FIG. 6

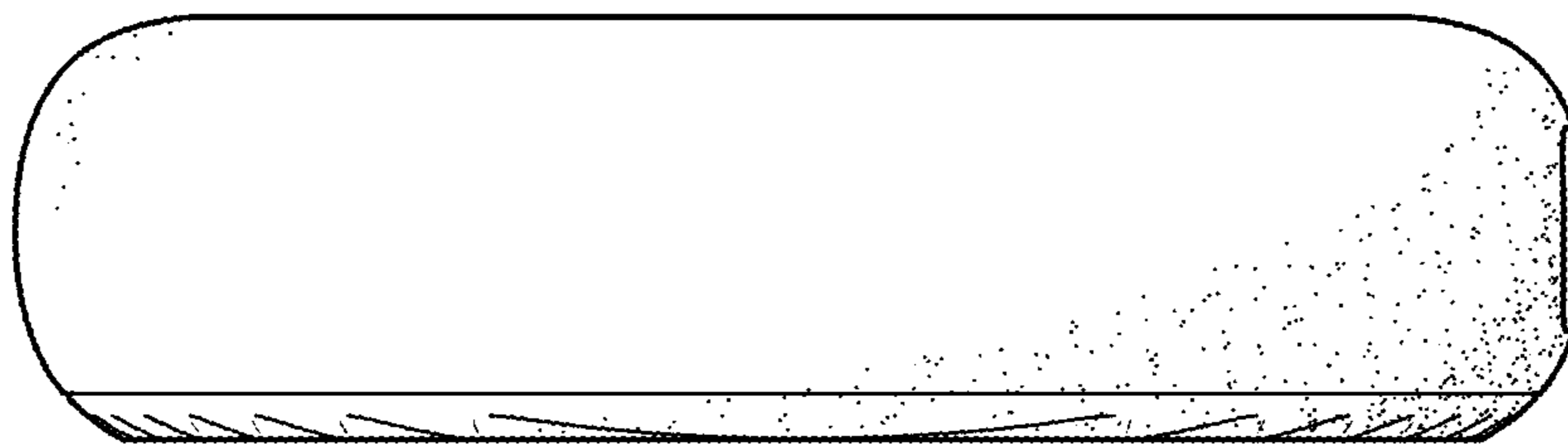


FIG. 7

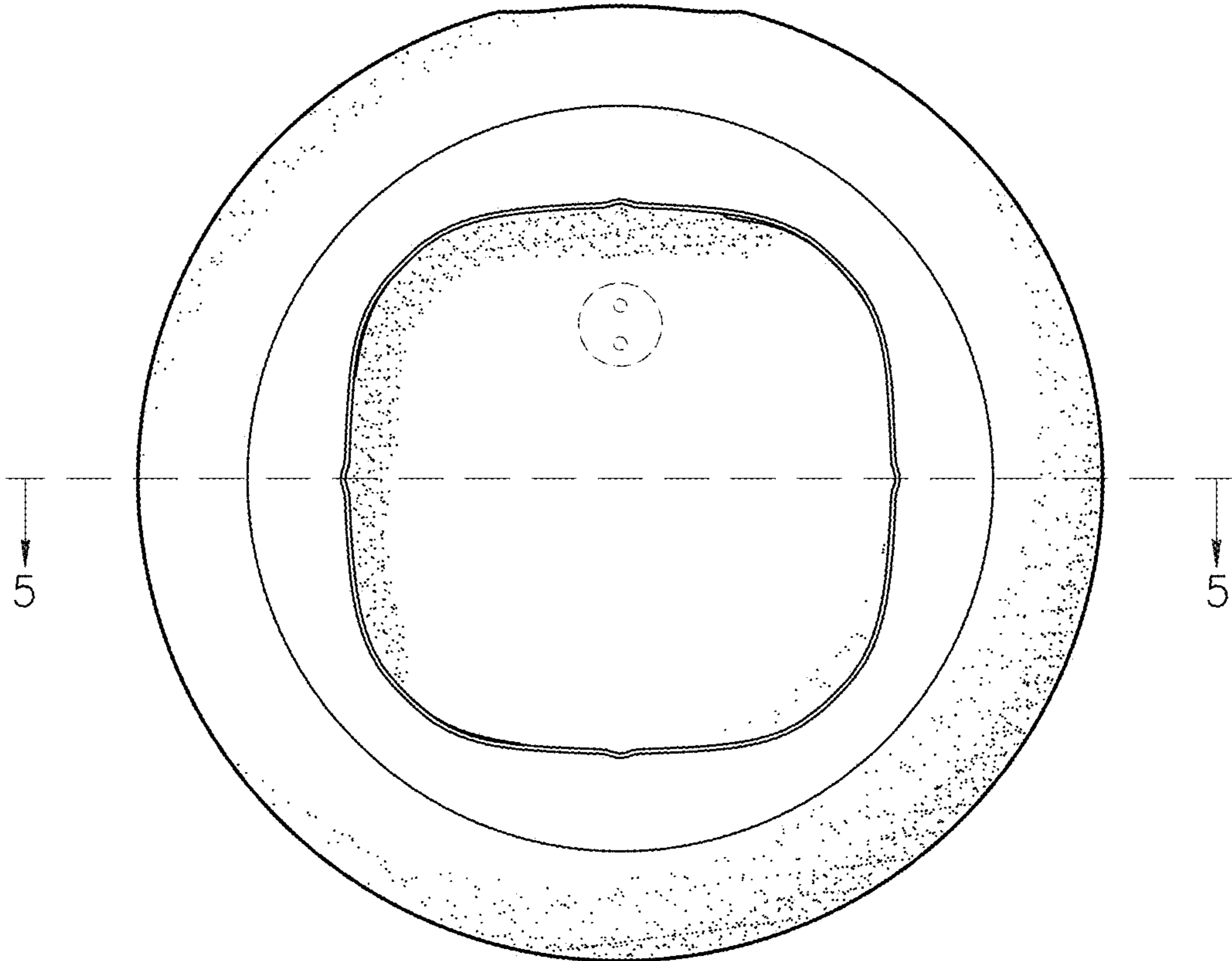


FIG. 8

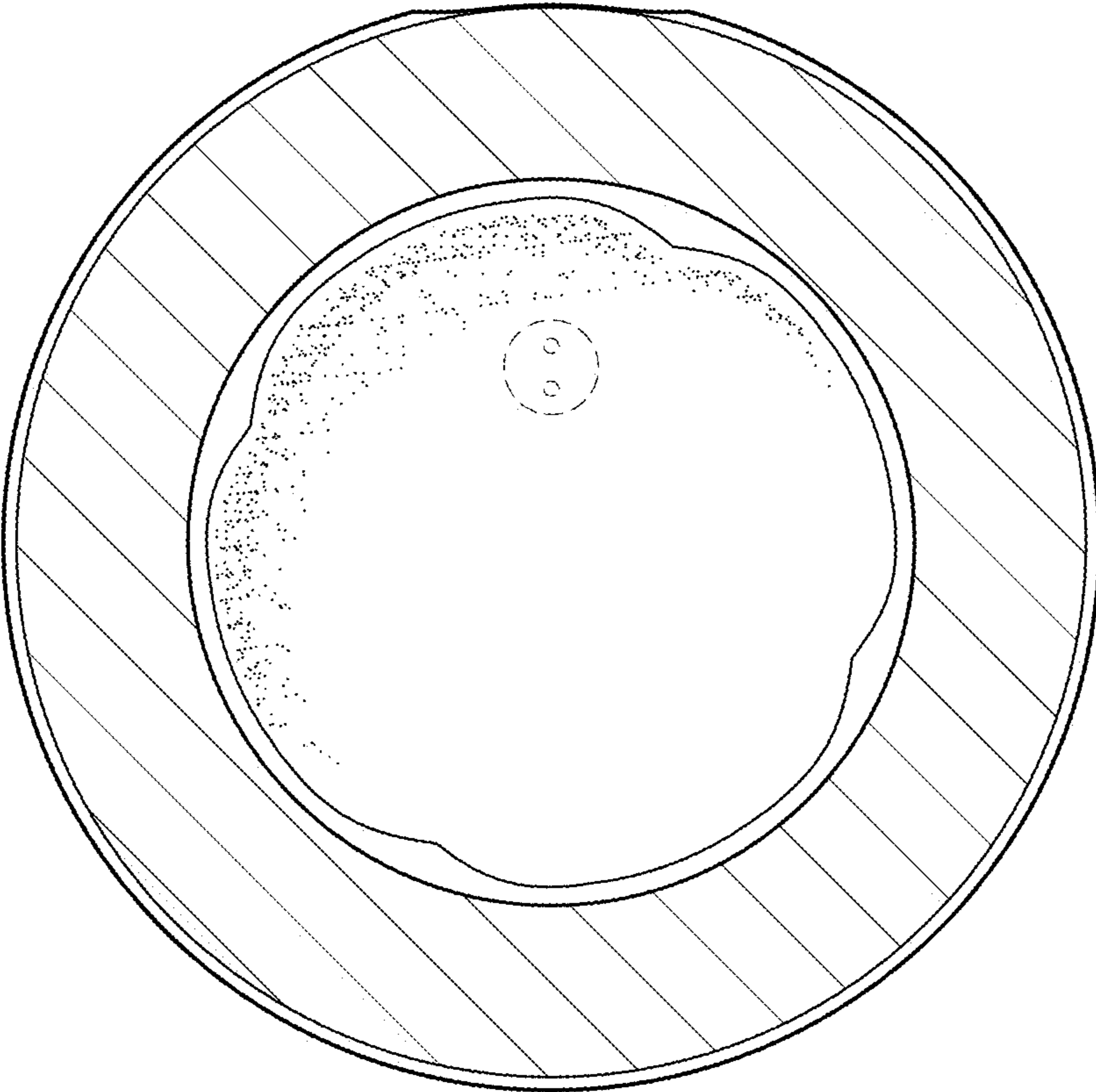


FIG. 9

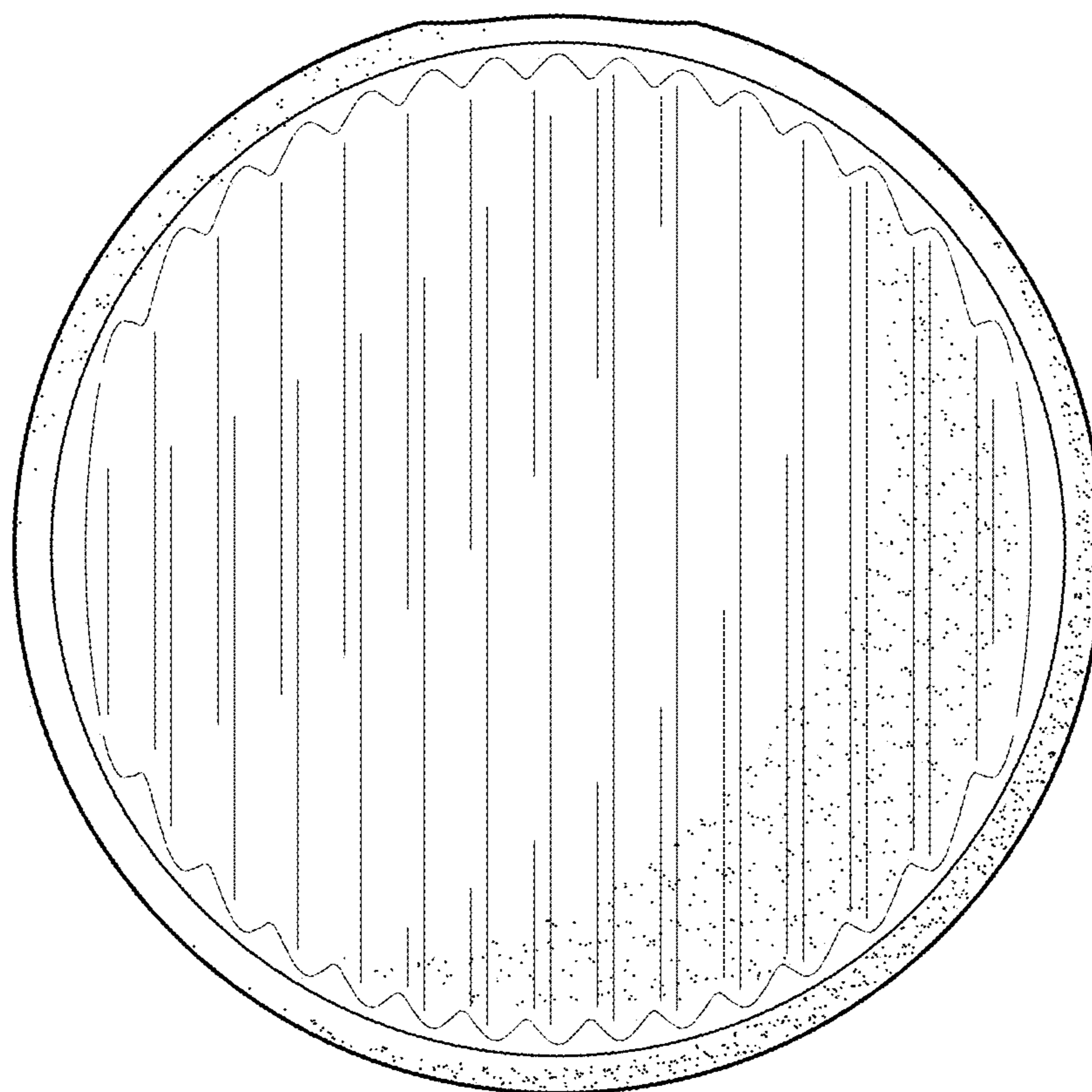


FIG. 10