



US00D918133S

(12) **United States Design Patent** (10) **Patent No.:** **US D918,133 S**  
**Ferguson** (45) **Date of Patent:** **\*\* \*May 4, 2021**

- (54) **BATTERY HOLDER ASSEMBLY**
- (71) Applicant: **RIVERPOINT MEDICAL, LLC**,  
Portland, OR (US)
- (72) Inventor: **John Thomas Ferguson**, Portland, OR  
(US)
- (73) Assignee: **RIVERPOINT MEDICAL, LLC**,  
Portland, OR (US)
- (\*) Notice: This patent is subject to a terminal disclaimer.
- (\*\*) Term: **15 Years**
- (21) Appl. No.: **29/735,050**
- (22) Filed: **May 18, 2020**

**Related U.S. Application Data**

- (63) Continuation of application No. 29/632,592, filed on Jan. 9, 2018, now Pat. No. Des. 892,723.
- (51) **LOC (13) Cl.** ..... **13-02**
- (52) **U.S. Cl.**  
USPC ..... **D13/103**; D13/108
- (58) **Field of Classification Search**  
USPC .... D13/102–110, 139.8, 118–119, 184, 199;  
D14/356, 432  
CPC ..... Y02E 60/10; Y02E 60/12; Y02E 60/122;  
Y02E 60/124; Y02E 60/50; H01M 2/02;  
H01M 2/022; H01M 2/0202; H01M  
2/0207; H01M 2/0212; H01M 2/1061;  
H01M 2/1022; H01M 2/1055; H01M  
2/1066; H01M 2/105; H01M 2/20; H01M  
2/204; H01M 2/206; H01M 10/44; H01M  
10/46; H01M 10/465; H01M 10/482;  
H01M 2200/30; H01M 2250/30; H01M  
2250/40; H02J 7/00; H02J 7/0003; H02J  
7/0011; H02J 7/0013; H02J 7/0054; H02J  
7/0055; H02J 7/0057; H02J 2007/0062  
See application file for complete search history.

- (56) **References Cited**
- U.S. PATENT DOCUMENTS

D435,827 S *	1/2001	Rausch	.....	D13/103
D516,026 S *	2/2006	Barrett	.....	D13/108
D517,478 S *	3/2006	Bayat	.....	D13/107
D546,277 S *	7/2007	Andre	.....	D13/103
D637,153 S *	5/2011	Ikeda	.....	D13/103
D677,816 S *	3/2013	Petzl	.....	D26/39
D720,292 S *	12/2014	Buck	.....	D13/119
D752,791 S *	3/2016	Ferguson	.....	D26/39
9,407,037 B2 *	8/2016	Kim	.....	H01R 13/62938
D783,523 S *	4/2017	Jang	.....	D13/103
9,707,707 B2	7/2017	Ferguson		
D807,291 S *	1/2018	Juds	.....	D13/110

(Continued)

**OTHER PUBLICATIONS**

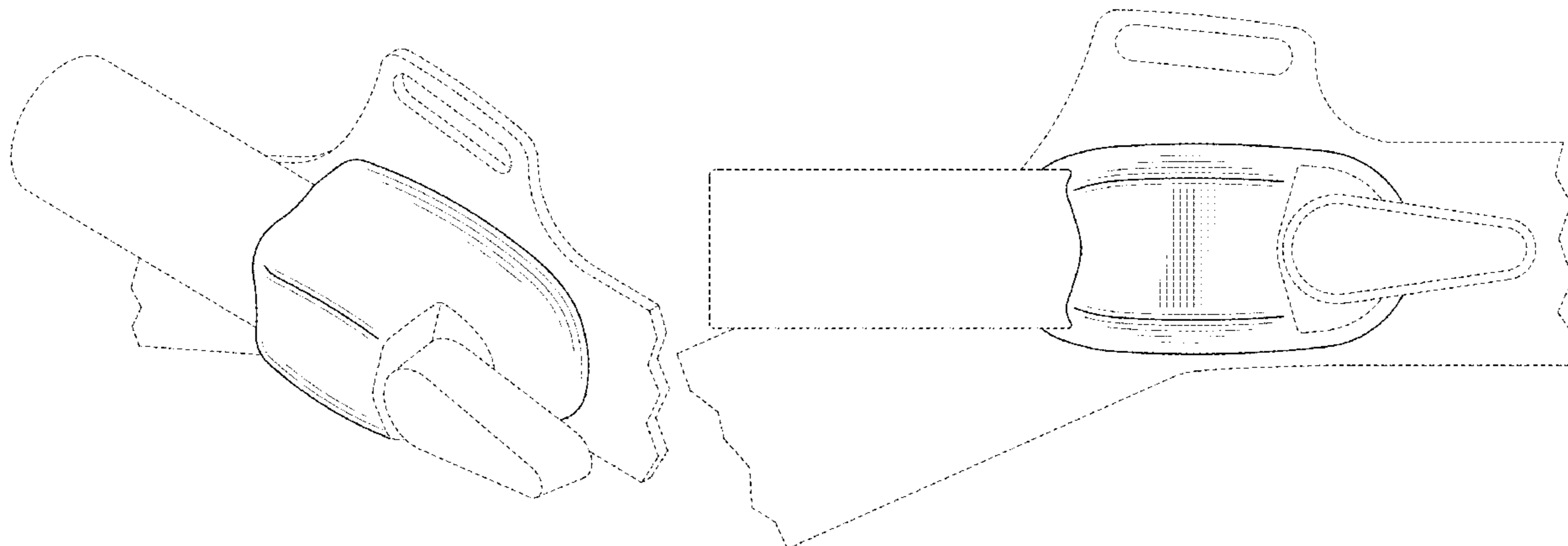
- U.S. Appl. No. 29/632,592, filed Aug. 11, 2020, Ferguson.
- Primary Examiner* — Nathaniel D. Buckner
- (74) *Attorney, Agent, or Firm* — Timothy E. Siegel Patent Law, PLLC; Timothy E. Siegel

- (57) **CLAIM**
- The ornamental design for a battery holder assembly, as shown and described.

**DESCRIPTION**

FIG. 1 is a perspective view of the battery holder assembly. FIG. 2 is a side view of the battery holder assembly. FIG. 3 is a top view of the battery holder assembly. FIG. 4 is a bottom view of the battery holder assembly. FIG. 5 is a front view of the battery holder assembly; and, FIG. 6 is a back view of the battery holder assembly. The broken lines in the figures depict portions of the battery holder assembly and environmental subject matter which form no part of the claimed design.

**1 Claim, 2 Drawing Sheets**



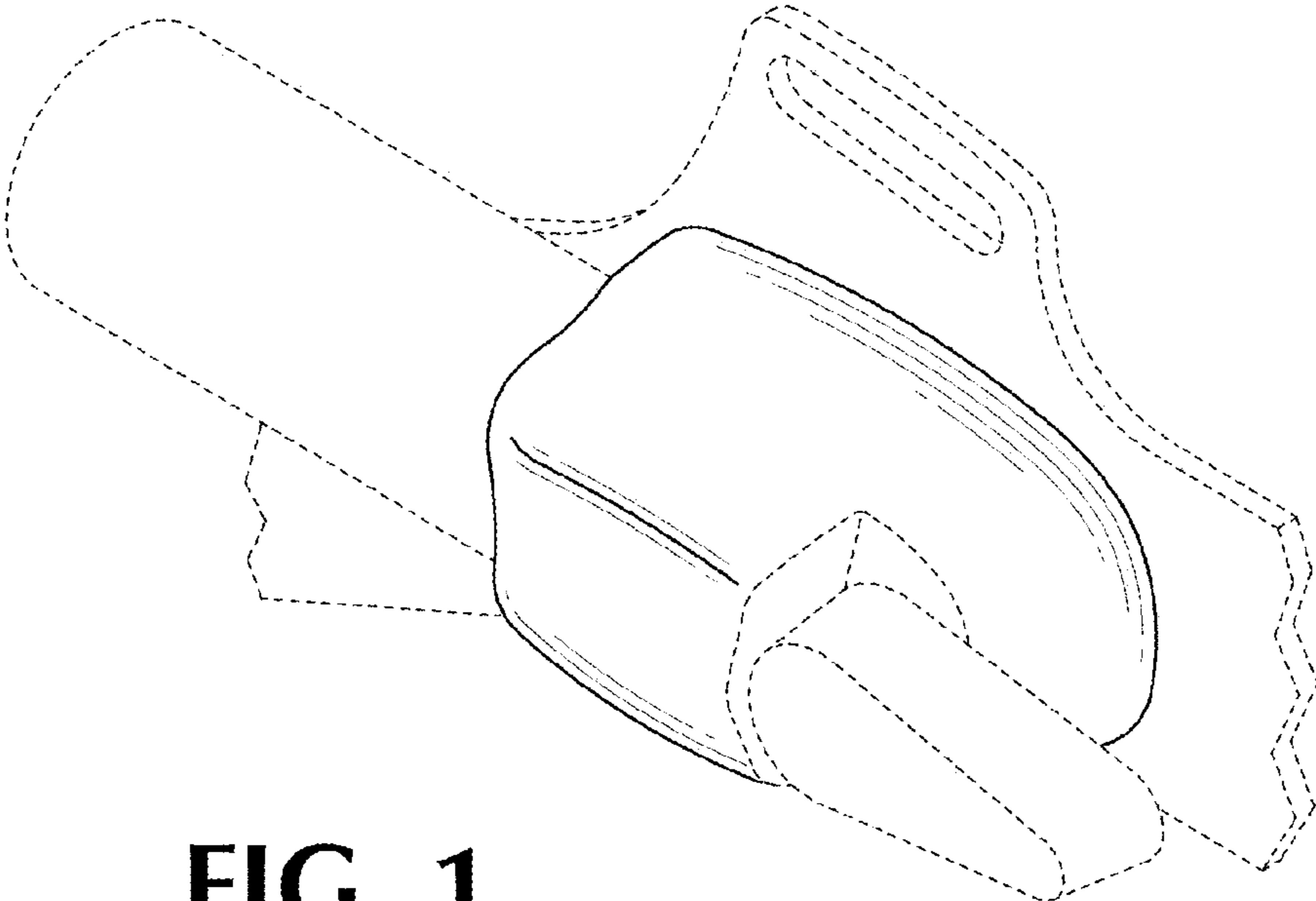
(56)

**References Cited**

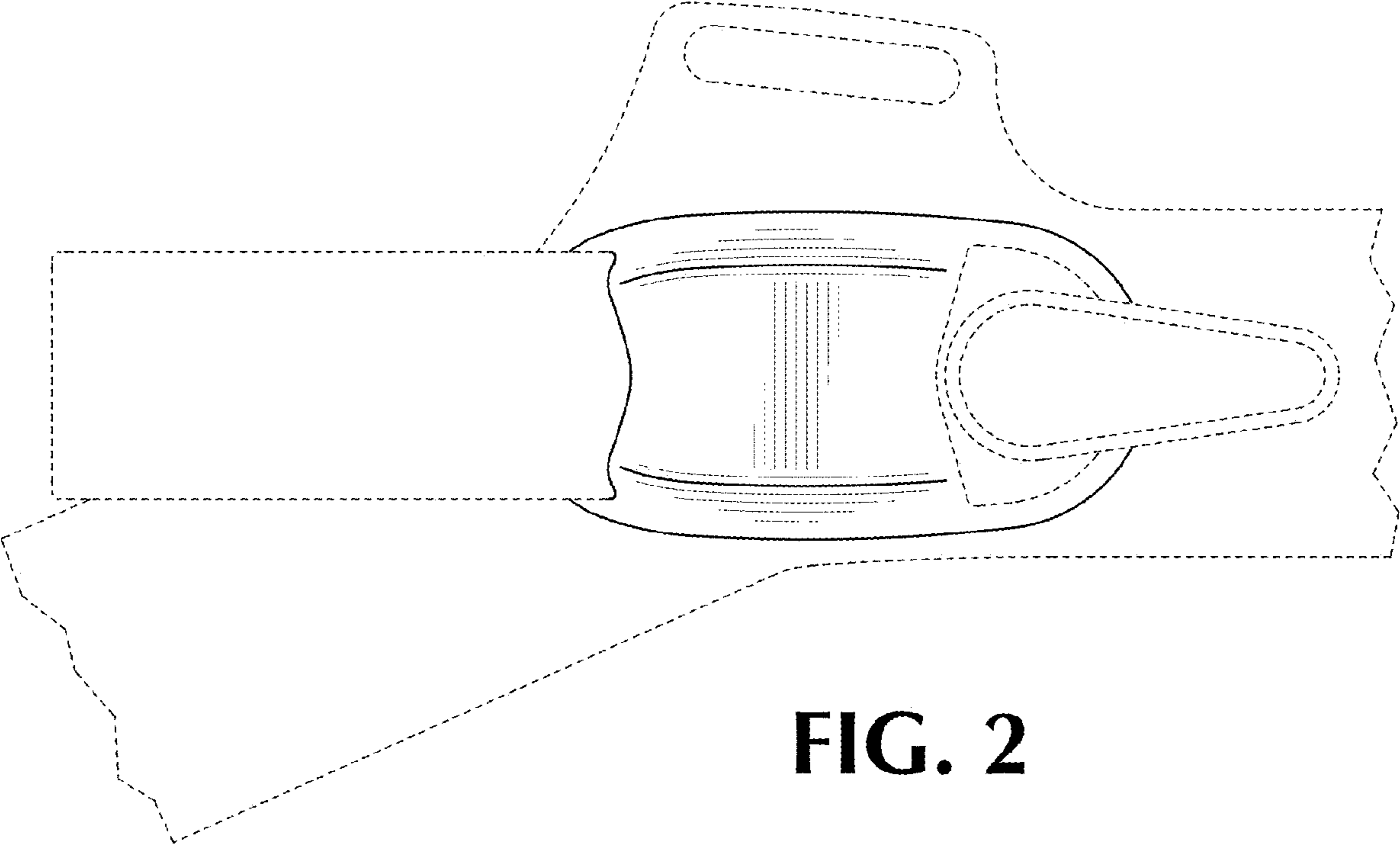
U.S. PATENT DOCUMENTS

D854,738 S \* 7/2019 Kauss ..... D27/162  
D892,723 S \* 8/2020 Ferguson ..... D13/103

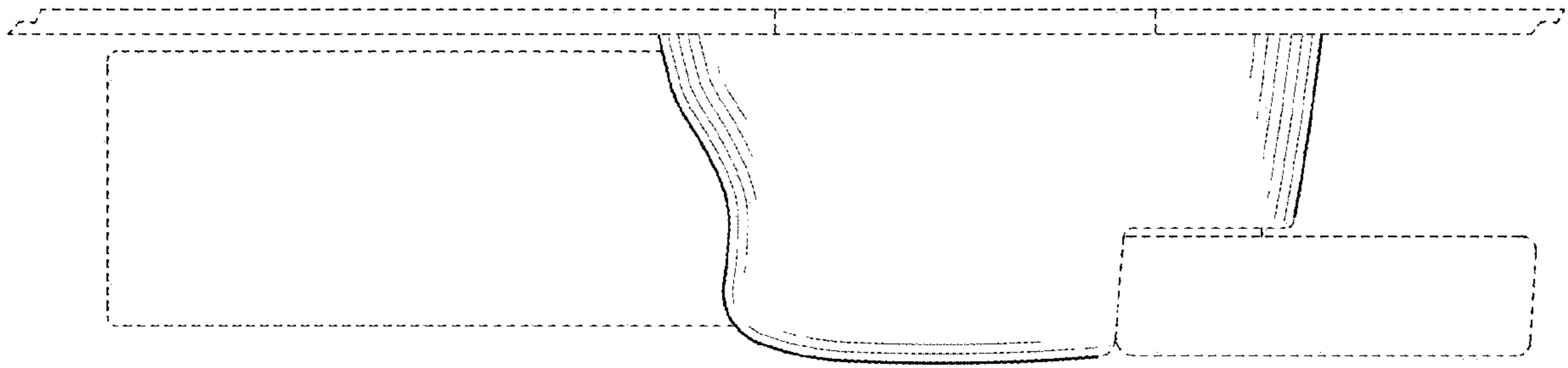
\* cited by examiner



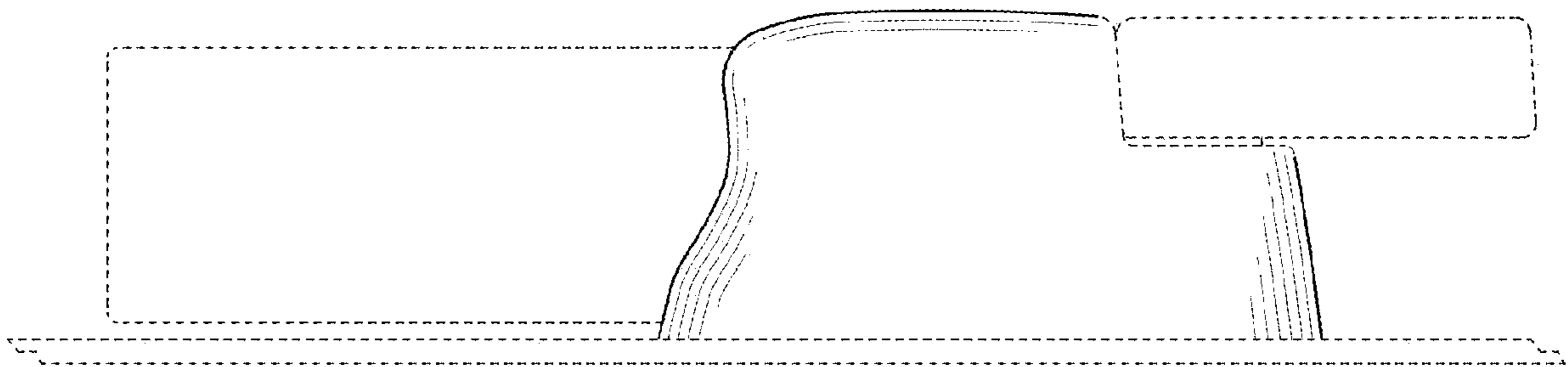
**FIG. 1**



**FIG. 2**

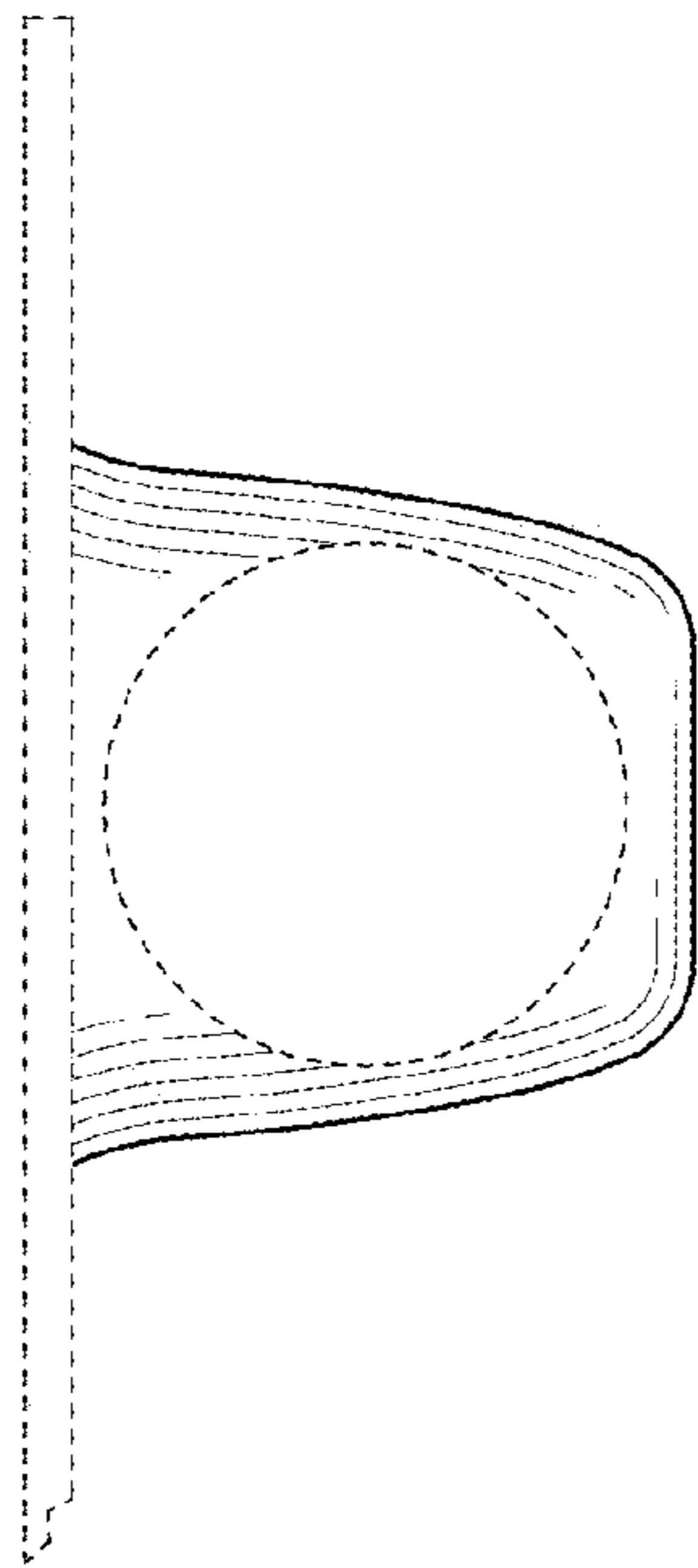


**FIG. 3**



**FIG. 4**

**FIG. 5**



**FIG. 6**

