



US00D918122S

(12) **United States Design Patent**  
**Lee et al.**

(10) **Patent No.:** **US D918,122 S**  
(45) **Date of Patent:** **\*\* May 4, 2021**

- (54) **AUTOMOTIVE CENTER FASCIA**
- (71) Applicant: **SAMSUNG DISPLAY CO., LTD.**,  
Yongin-si (KR)
- (72) Inventors: **Jae-Won Lee**, Hwaseong-si (KR); **Jong Sung Bae**, Hwaseong-si (KR); **Mu Gyeom Kim**, Hwaseong-si (KR); **Kyoung-Eun Lee**, Seoul (KR); **Myoung Jin Lee**, Seoul (KR)
- (73) Assignee: **Samsung Display Co., Ltd.**, Yongin-si (KR)
- (\*\*) Term: **15 Years**
- (21) Appl. No.: **29/665,356**
- (22) Filed: **Oct. 2, 2018**

**Related U.S. Application Data**

- (60) Continuation of application No. 29/632,561, filed on Jan. 8, 2018, now Pat. No. Des. 830,950, which is a division of application No. 29/539,562, filed on Sep. 15, 2015, now Pat. No. Des. 807,277.

(30) **Foreign Application Priority Data**

Mar. 16, 2015 (KR) ..... 30-2015-0013206

- (51) **LOC (13) Cl.** ..... **12-16**
- (52) **U.S. Cl.**  
USPC ..... **D12/415**

- (58) **Field of Classification Search**  
USPC ..... D12/415, 419  
CPC ..... B60R 13/02; C03C 3/085; B60N 3/10;  
B60N 2/46; B60Q 3/64; B60Q 3/225  
See application file for complete search history.

(56) **References Cited**

**U.S. PATENT DOCUMENTS**

- D541,209 S 4/2007 Castator et al.
- D611,401 S 3/2010 Saint-Jalmes et al.

- D632,639 S \* 2/2011 Rosenbohm ..... D12/415
- D640,159 S 6/2011 Millar
- D651,966 S 1/2012 Hwang et al.
- 8,322,768 B2 12/2012 Carnevali
- D710,786 S \* 8/2014 Tilscher ..... D12/424
- D718,218 S \* 11/2014 Tanaka ..... D12/424
- 8,915,531 B2 12/2014 Horton et al.
- D725,582 S \* 3/2015 Kobari ..... D12/419
- D735,636 S 8/2015 Wragg
- D739,337 S \* 9/2015 Persson ..... D12/415
- 9,156,386 B2 10/2015 Cinco
- D742,300 S \* 11/2015 Fontaeus ..... D12/415

(Continued)

**FOREIGN PATENT DOCUMENTS**

- KR 10-2014-0058309 A 5/2014
- KR 10-2014-0058309 A 5/2014

*Primary Examiner* — Katrina A Betton

(74) *Attorney, Agent, or Firm* — Lewis Roca Rothgerber Christie LLP

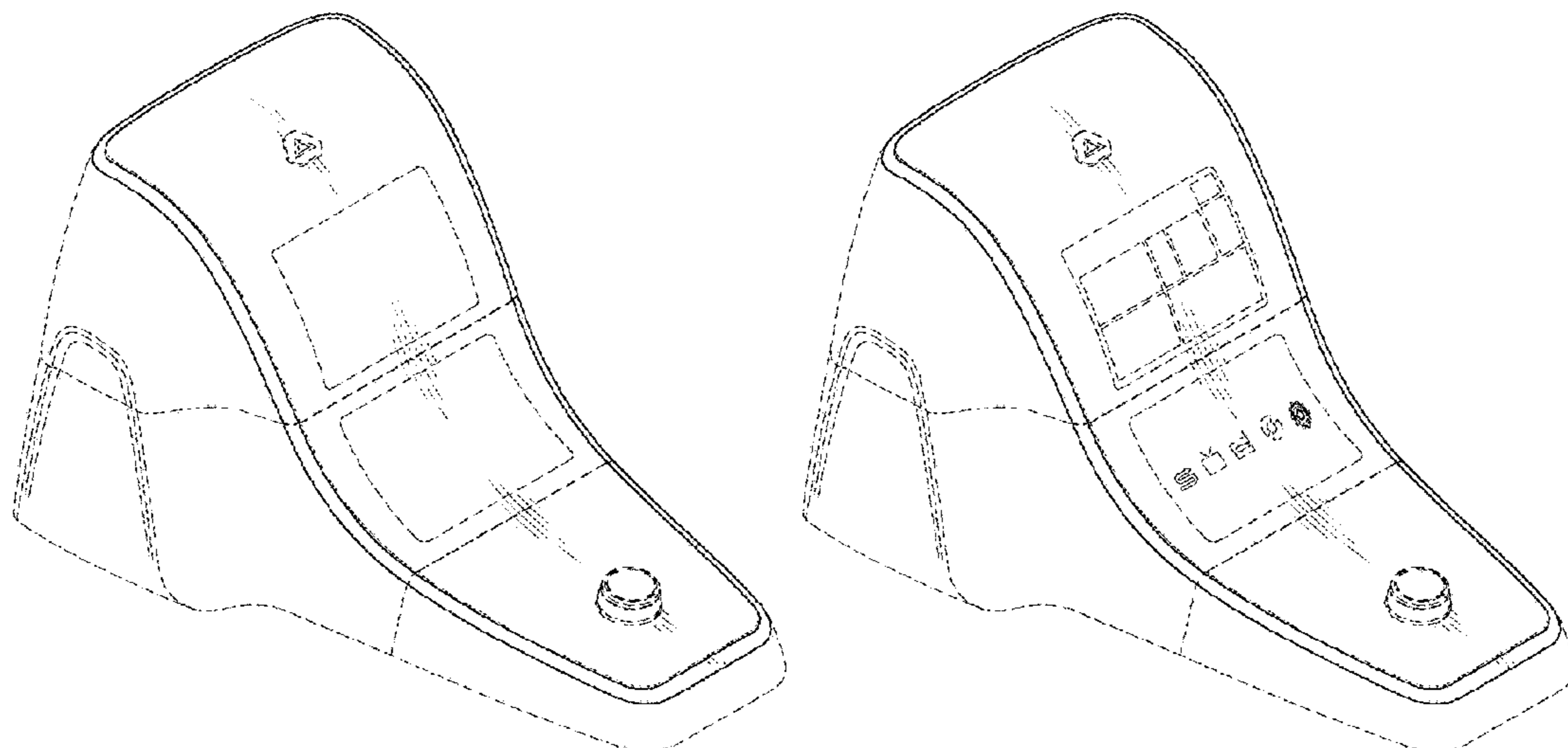
(57) **CLAIM**

The ornamental design for an automotive center fascia, as shown and described.

**DESCRIPTION**

FIG. 1 is a perspective view an embodiment of an automotive center fascia;  
 FIG. 2 is a front view thereof;  
 FIG. 3 is a rear view thereof;  
 FIG. 4 is a left-side view thereof;  
 FIG. 5 is a right-side view thereof;  
 FIG. 6 is a top view thereof;  
 FIG. 7 is a bottom view thereof; and,  
 FIG. 8 is a perspective view thereof.  
 In the drawings, the broken lines in depict icons and portions of the article that form no part of the claimed design.

**1 Claim, 8 Drawing Sheets**



(56)

**References Cited**

U.S. PATENT DOCUMENTS

9,199,562	B2	12/2015	Skapof et al.	
D764,386	S	8/2016	Ahn et al.	
D765,018	S	* 8/2016	Sahs .....	D12/419
D767,470	S	9/2016	Klabunde	
D770,361	S	11/2016	Chan	
D778,219	S	2/2017	Choi et al.	
D781,211	S	* 3/2017	Satou .....	D12/419
D783,505	S	4/2017	Neal	
D784,909	S	4/2017	Lee et al.	
D786,171	S	5/2017	Smallhorn	
D786,770	S	5/2017	Smallhorn	
D787,420	S	5/2017	Smallhorn	
D787,423	S	5/2017	Lin et al.	
D857,611	S	* 8/2019	Igarashi .....	D12/415
D876,319	S	* 2/2020	Buffery .....	D12/419
D897,271	S	* 9/2020	Shikano .....	D12/415
D897,932	S	* 10/2020	Galdino .....	D12/415

\* cited by examiner

FIG. 1

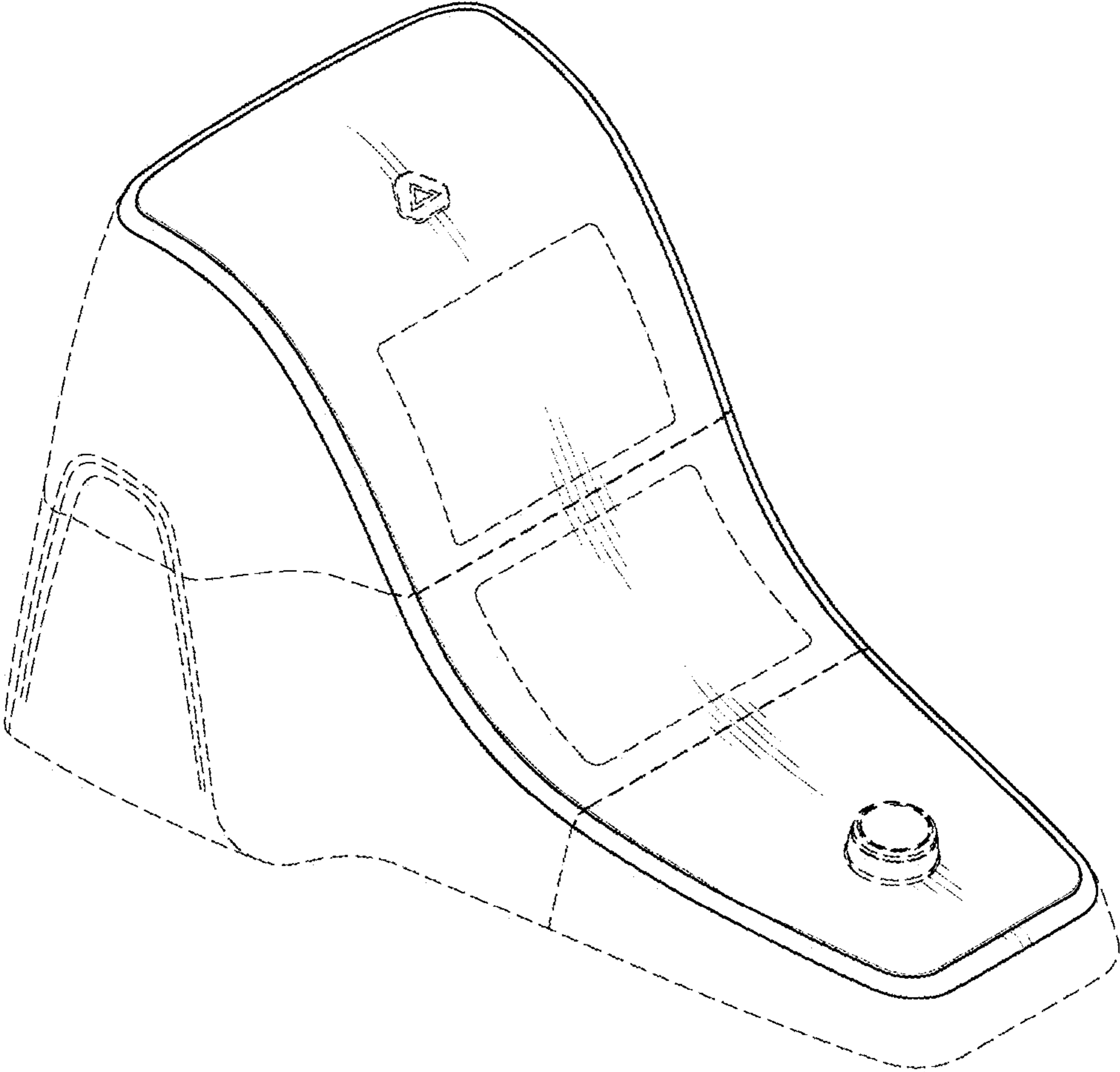


FIG. 2

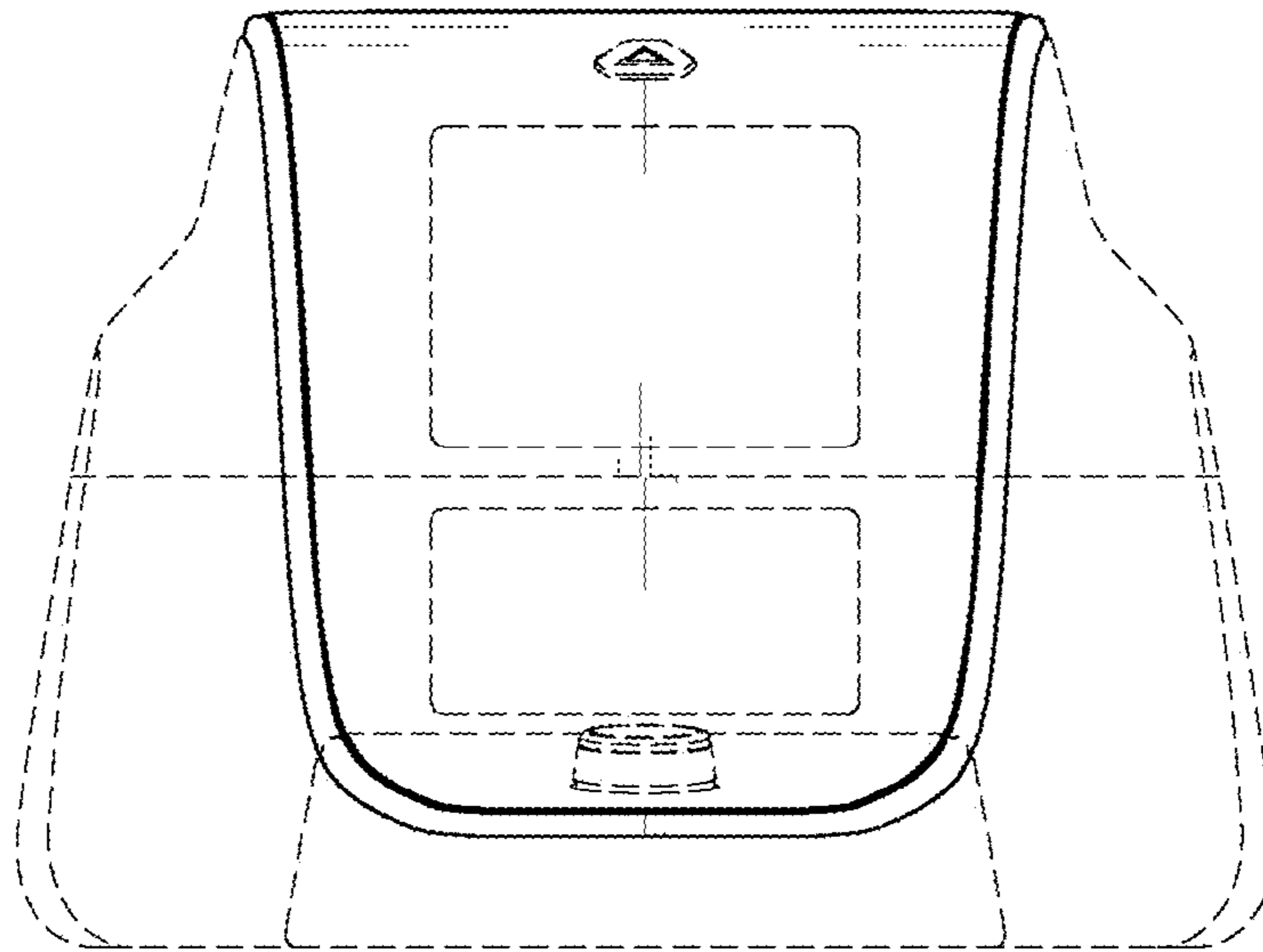


FIG. 3

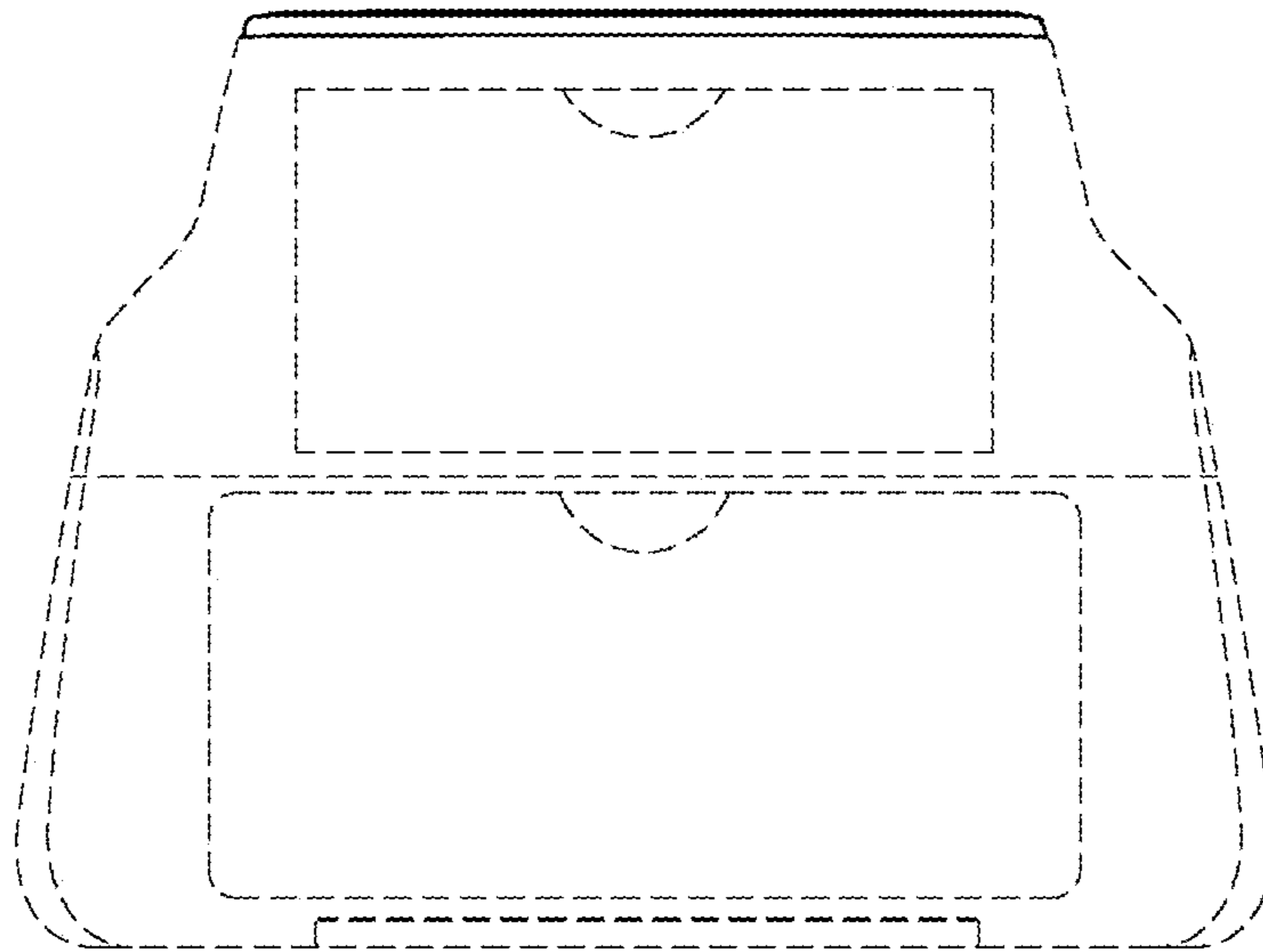


FIG. 4

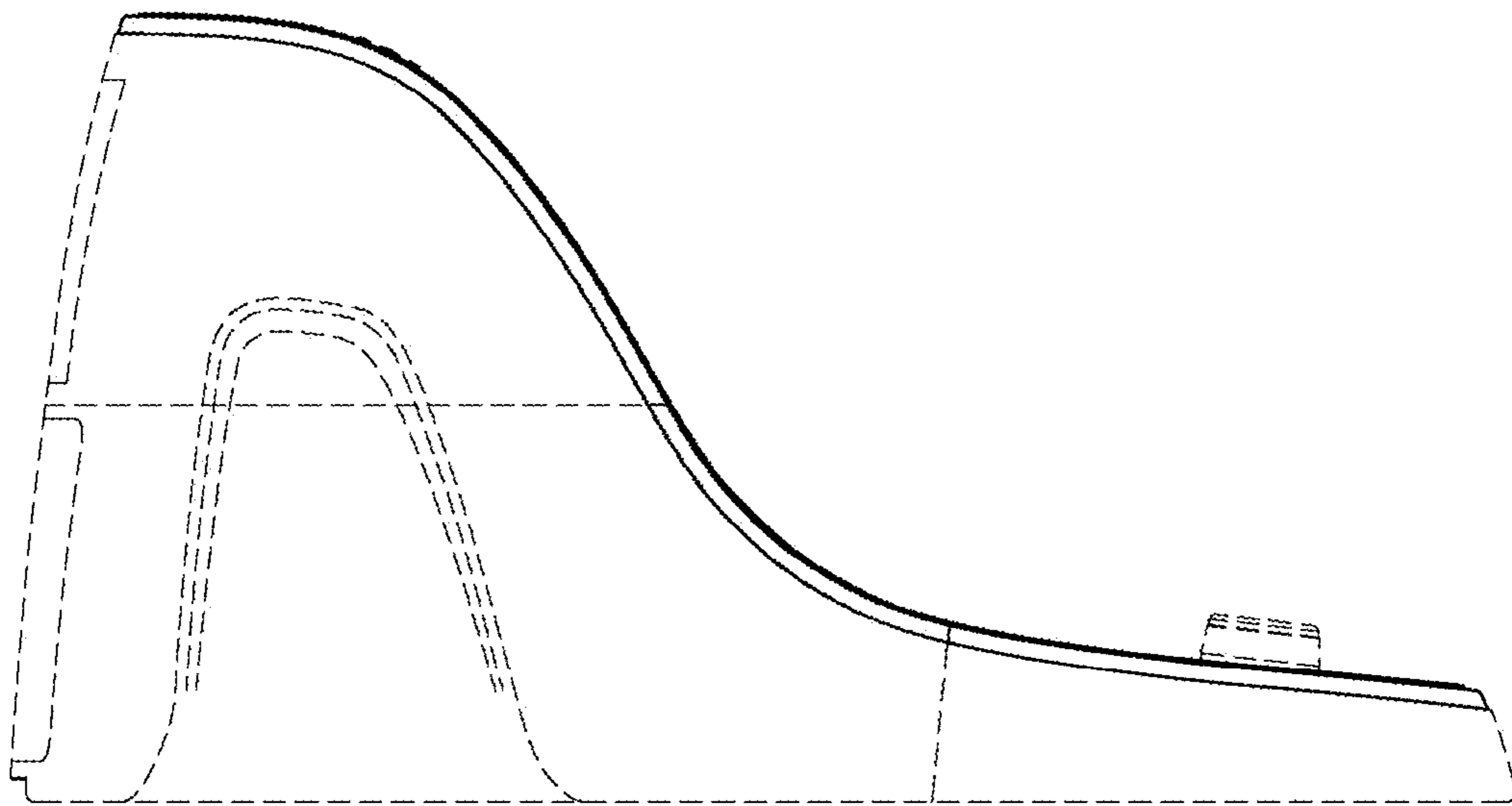


FIG. 5

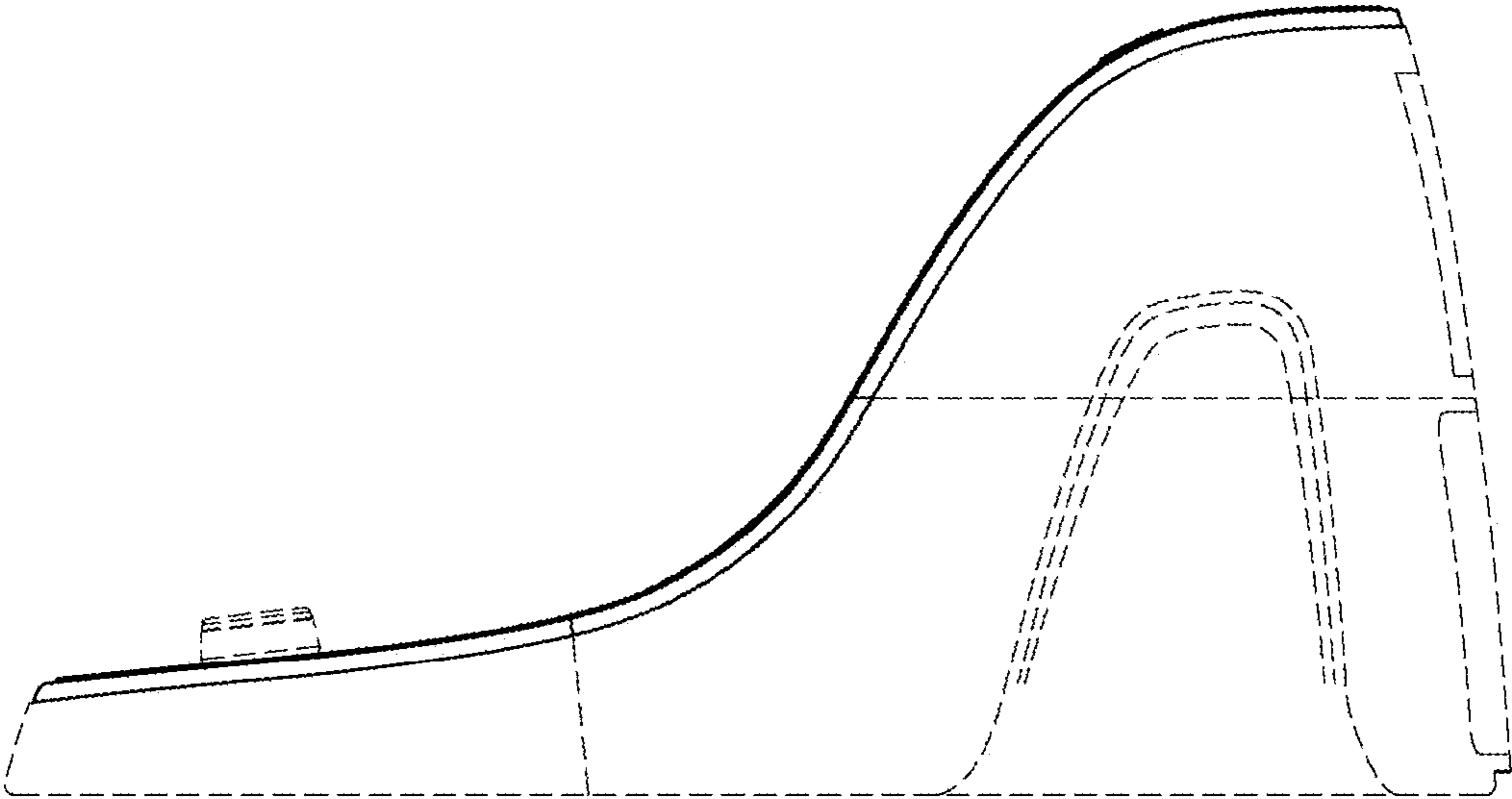


FIG. 6

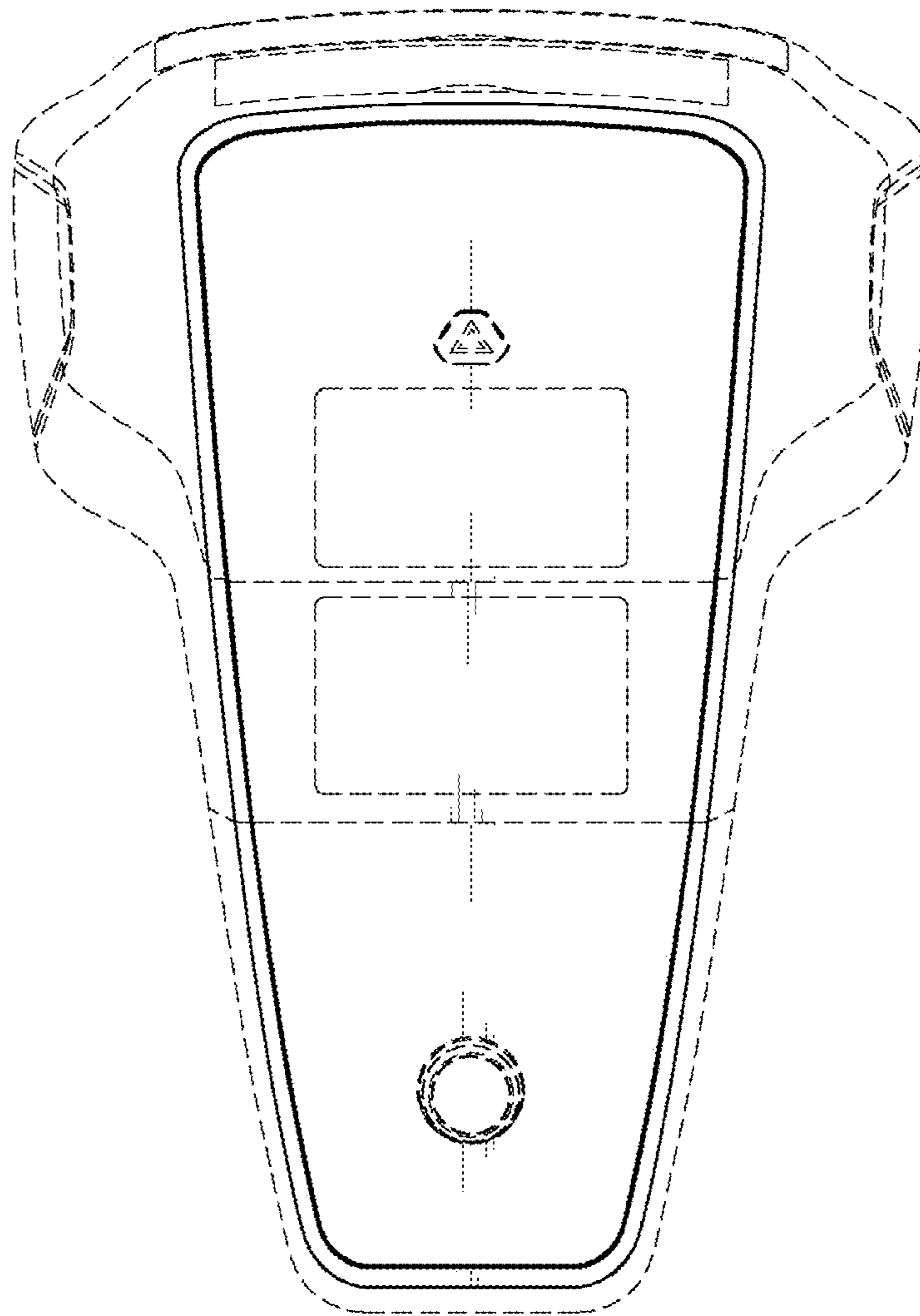




FIG. 7

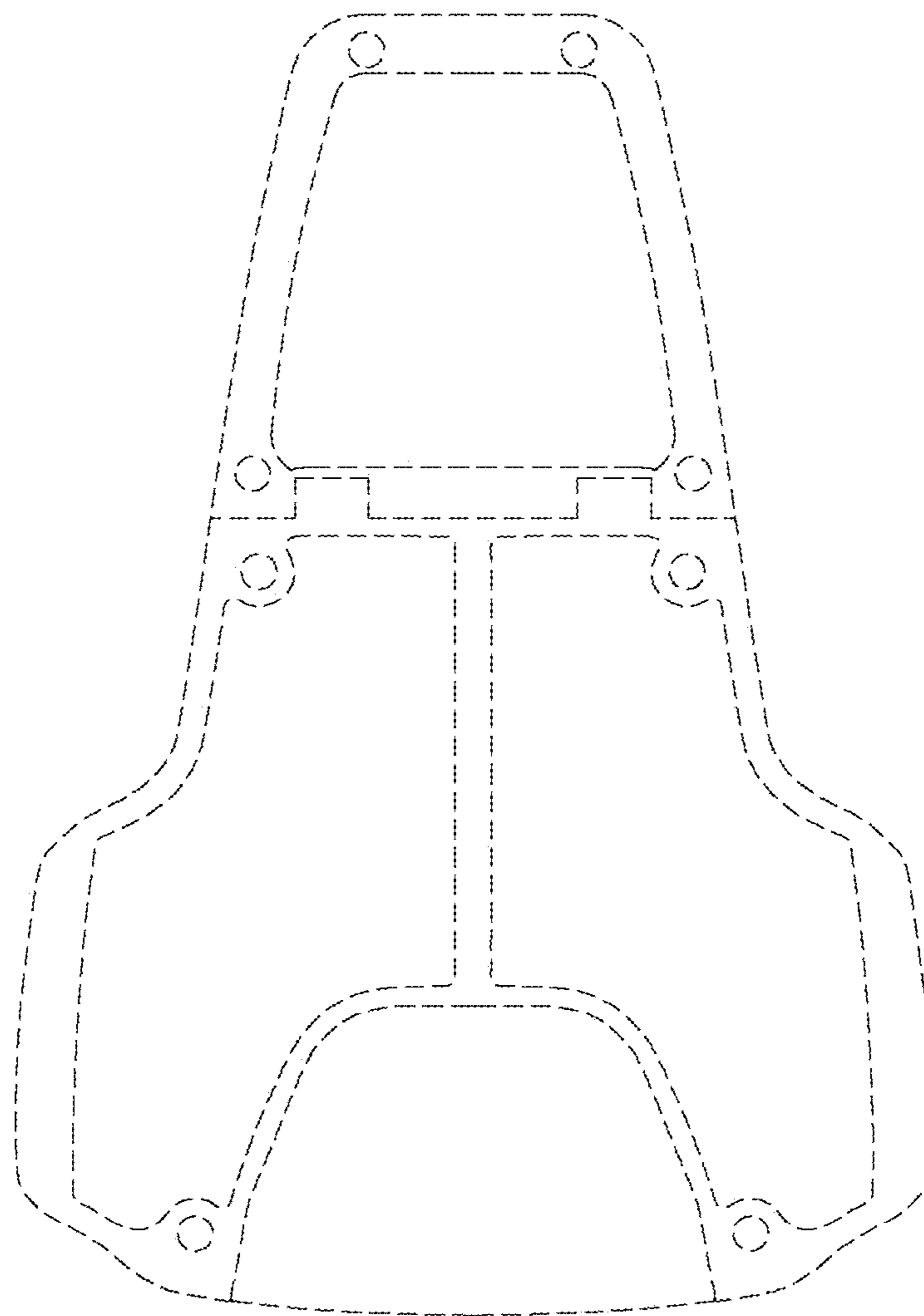


FIG. 8

