



US00D918121S

(12) **United States Design Patent**
Hansen

(10) **Patent No.:** **US D918,121 S**

(45) **Date of Patent:** **** May 4, 2021**

(54) **UNDERWATER VEHICLE**

(71) Applicant: **Blueye Robotics AS**, Trondheim (NO)

(72) Inventor: **Rune Hansen**, Trondheim (NO)

(73) Assignee: **BLUEYE ROBOTICS AS**, Trondheim (NO)

(**) Term: **15 Years**

(21) Appl. No.: **29/644,202**

(22) Filed: **Apr. 16, 2018**

(30) **Foreign Application Priority Data**

Oct. 16, 2017 (NO) 20170978

(51) **LOC (13) Cl.** **12-06**

(52) **U.S. Cl.**
USPC **D12/308**

(58) **Field of Classification Search**
USPC D12/308, 317; D21/801
CPC B63C 11/00; B63C 11/34; B63C 11/46;
B63C 2011/028; A63B 35/00; A63B
35/08; A63B 35/10; A63B 35/12
See application file for complete search history.

(56) **References Cited**

U.S. PATENT DOCUMENTS

D447,109 S * 8/2001 Paoli D12/308
D463,356 S * 9/2002 Rodocker D12/308
D471,506 S * 3/2003 Mah D12/308

D677,211 S * 3/2013 Tavares D12/308
8,651,041 B2 * 2/2014 Myers B63C 11/46
114/315
D803,759 S * 11/2017 Habeger D12/308
D828,279 S * 9/2018 Xiong D12/308
2002/0083880 A1 * 7/2002 Shelton B63G 8/001
114/312

* cited by examiner

Primary Examiner — Cynthia M. Chin

(74) *Attorney, Agent, or Firm* — Fredrikson & Byron, P.A.

(57) **CLAIM**

I claim the ornamental design for an underwater vehicle, as shown and described.

DESCRIPTION

FIG. 1 is a front top perspective of an underwater vehicle showing my new design;
FIG. 2 is a rear top perspective view thereof;
FIG. 3 is front bottom perspective view thereof;
FIG. 4 is a rear bottom perspective view thereof;
FIG. 5 is a right side elevation view thereof;
FIG. 6 is a left side elevation view thereof;
FIG. 7 is a top plan view thereof;
FIG. 8 is a bottom plan view thereof;
FIG. 9 is a front elevation view thereof; and,
FIG. 10 is a rear elevation view thereof.
The broken lines are for the purpose of illustrating portions of the article that form no part of the claimed design.

1 Claim, 10 Drawing Sheets

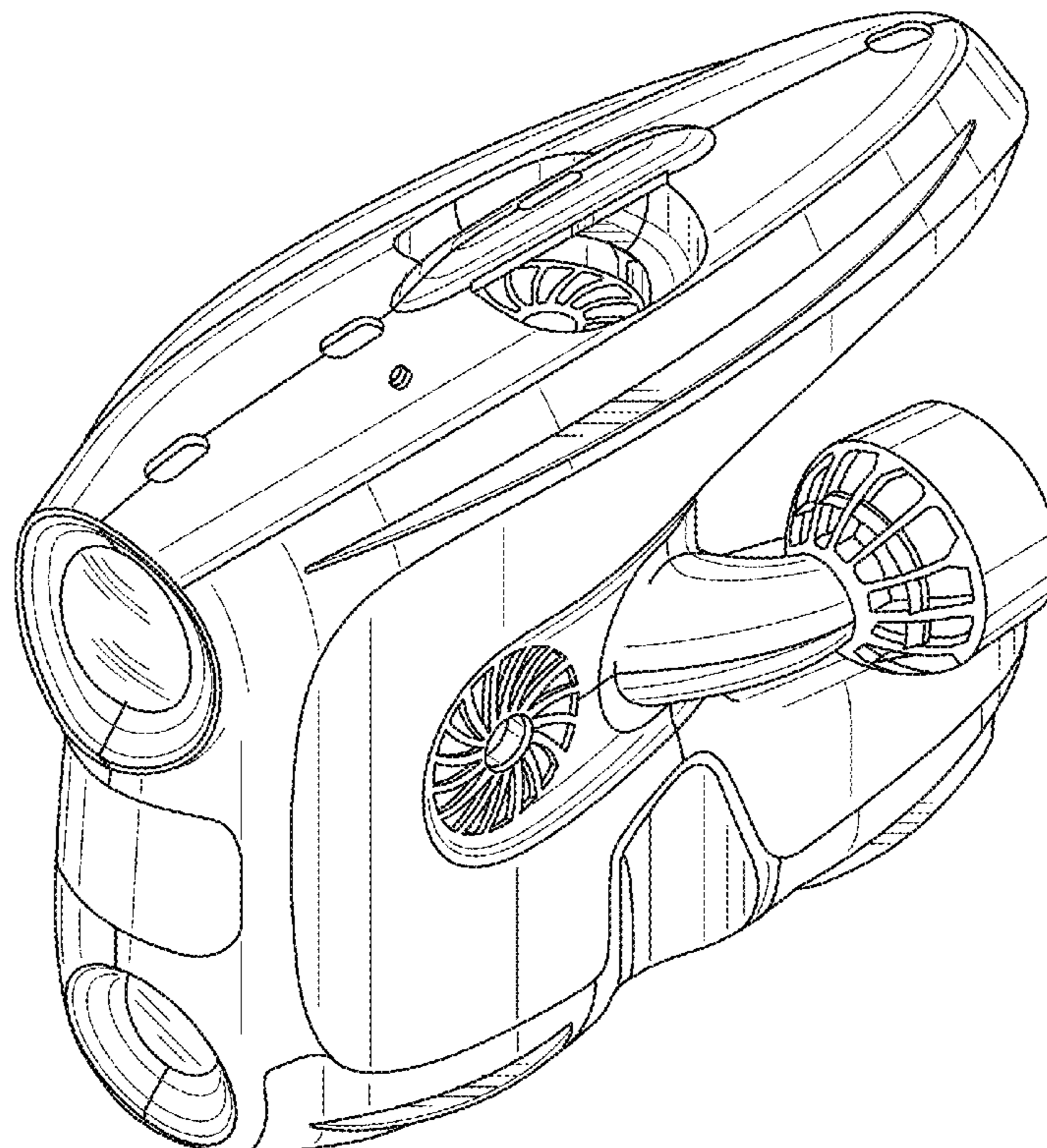


FIG. 1

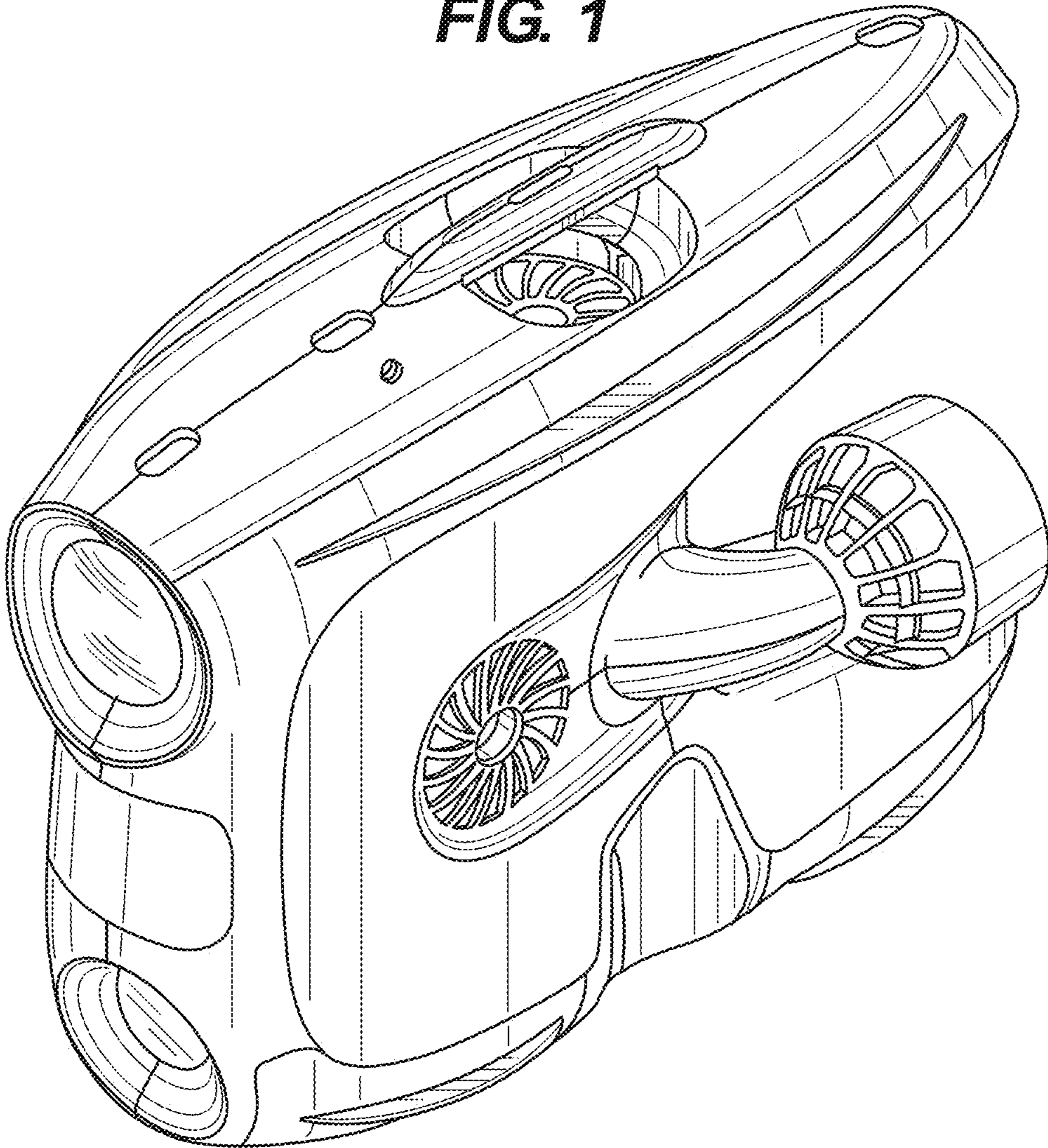


FIG. 2

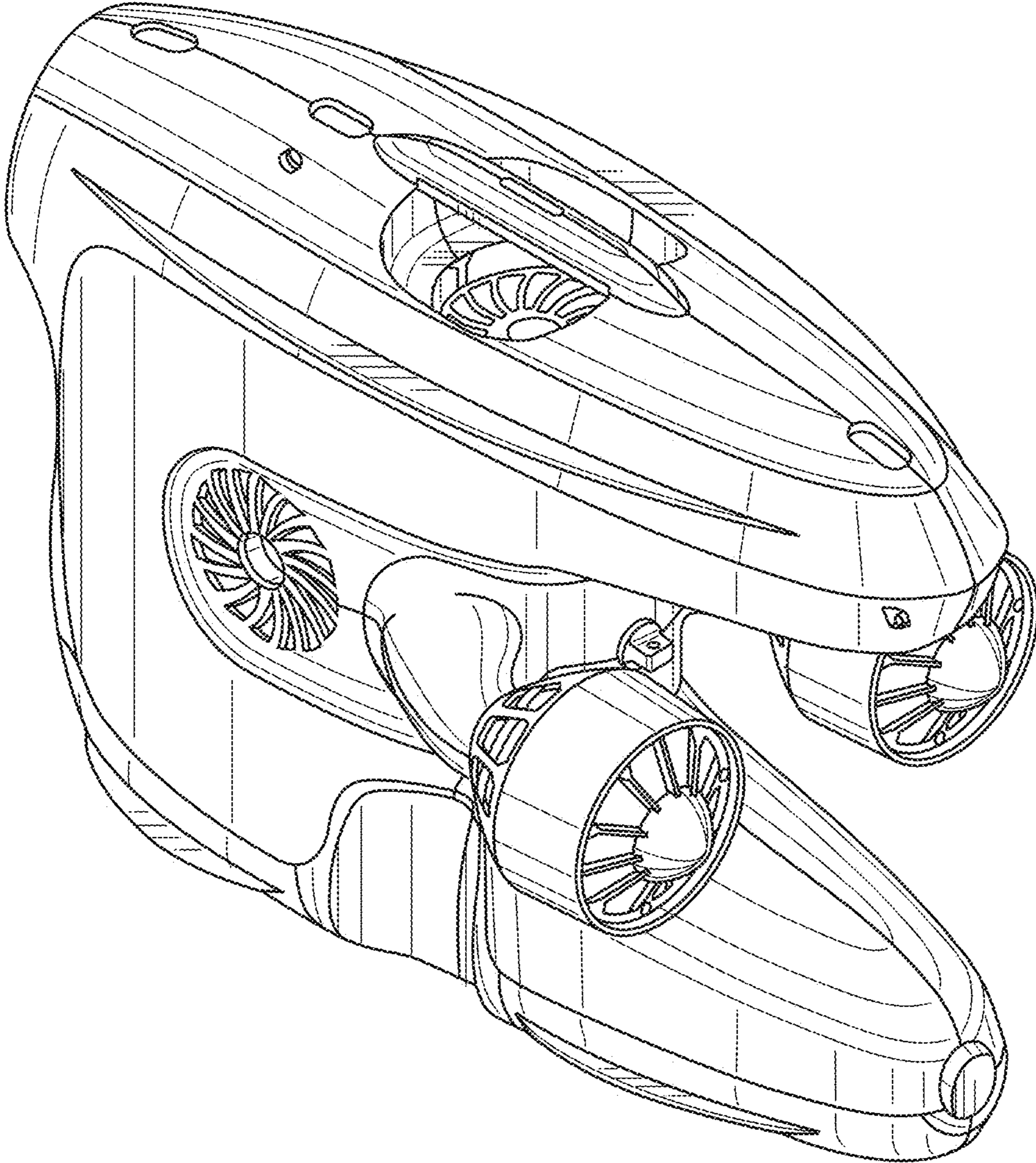


FIG. 3

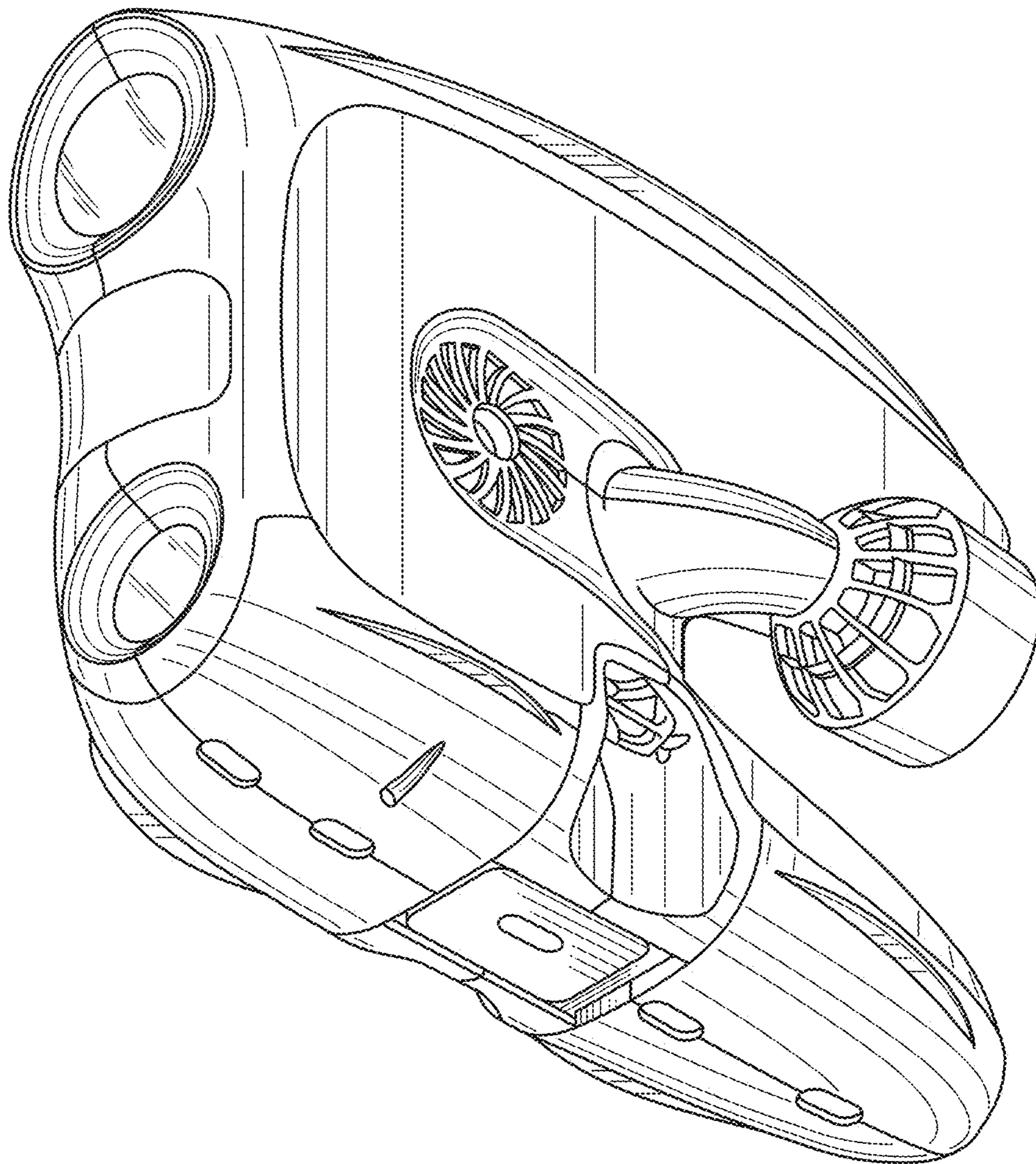


FIG. 4

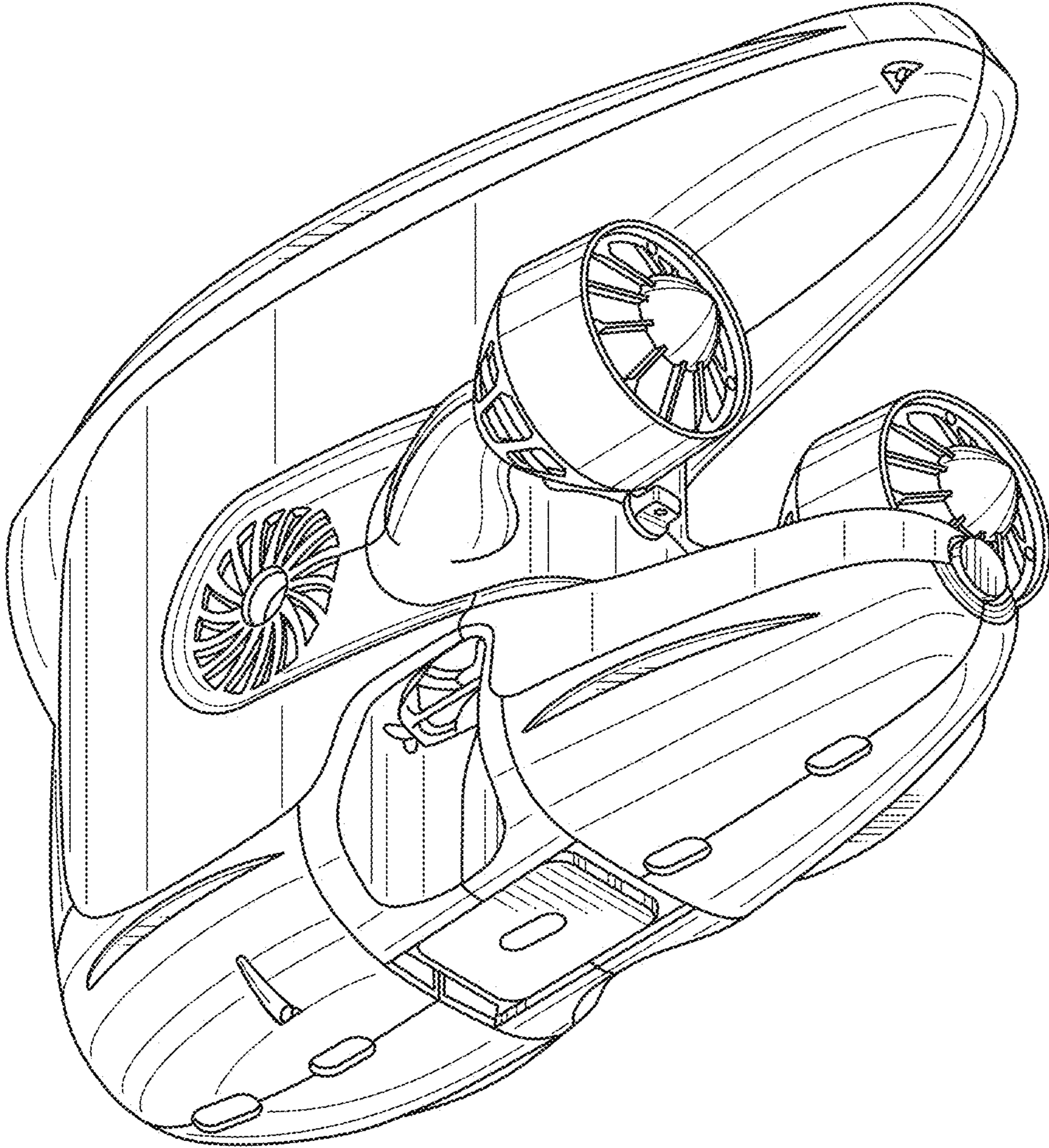


FIG. 5

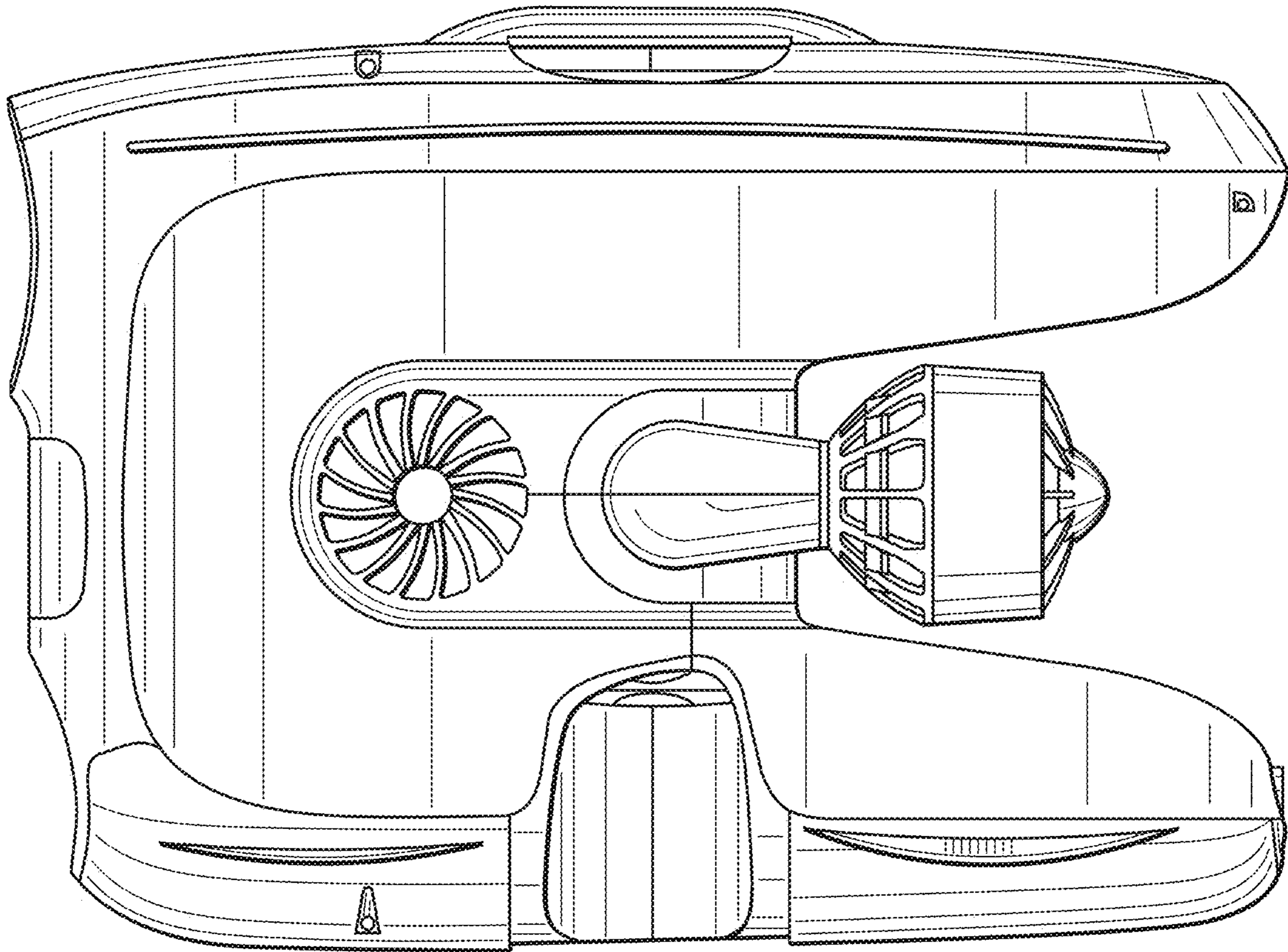


FIG. 6

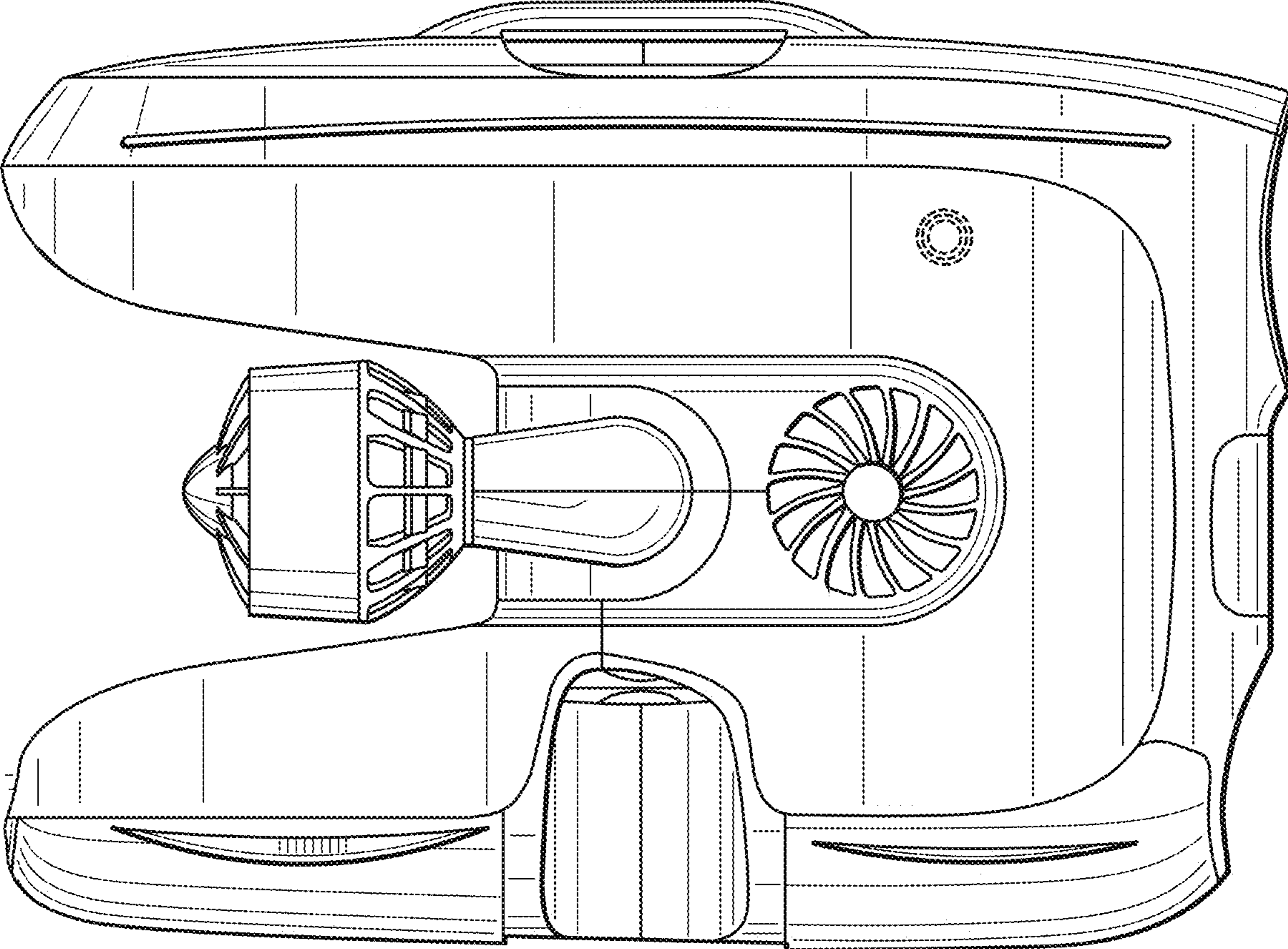


FIG. 7

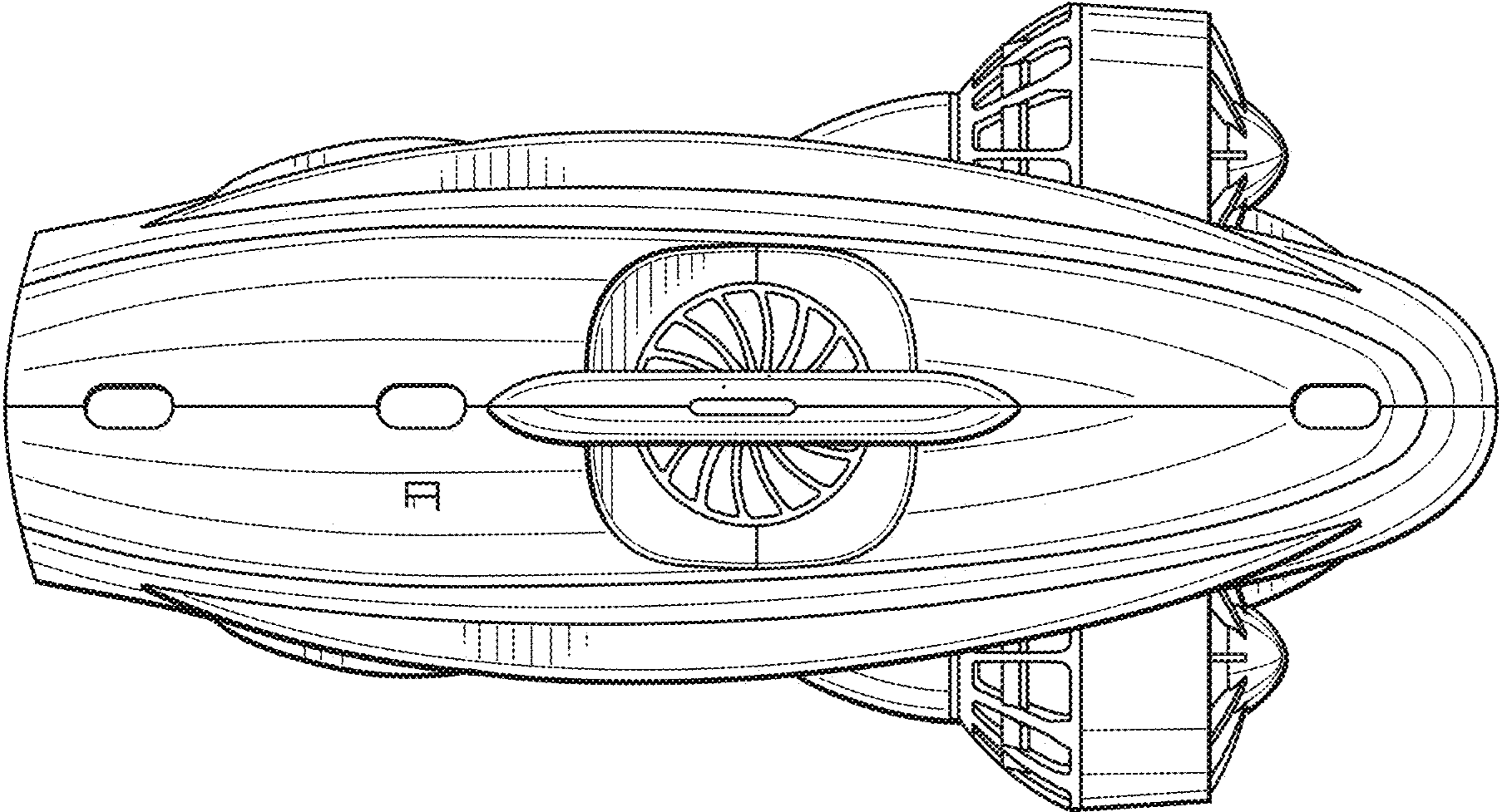


FIG. 8

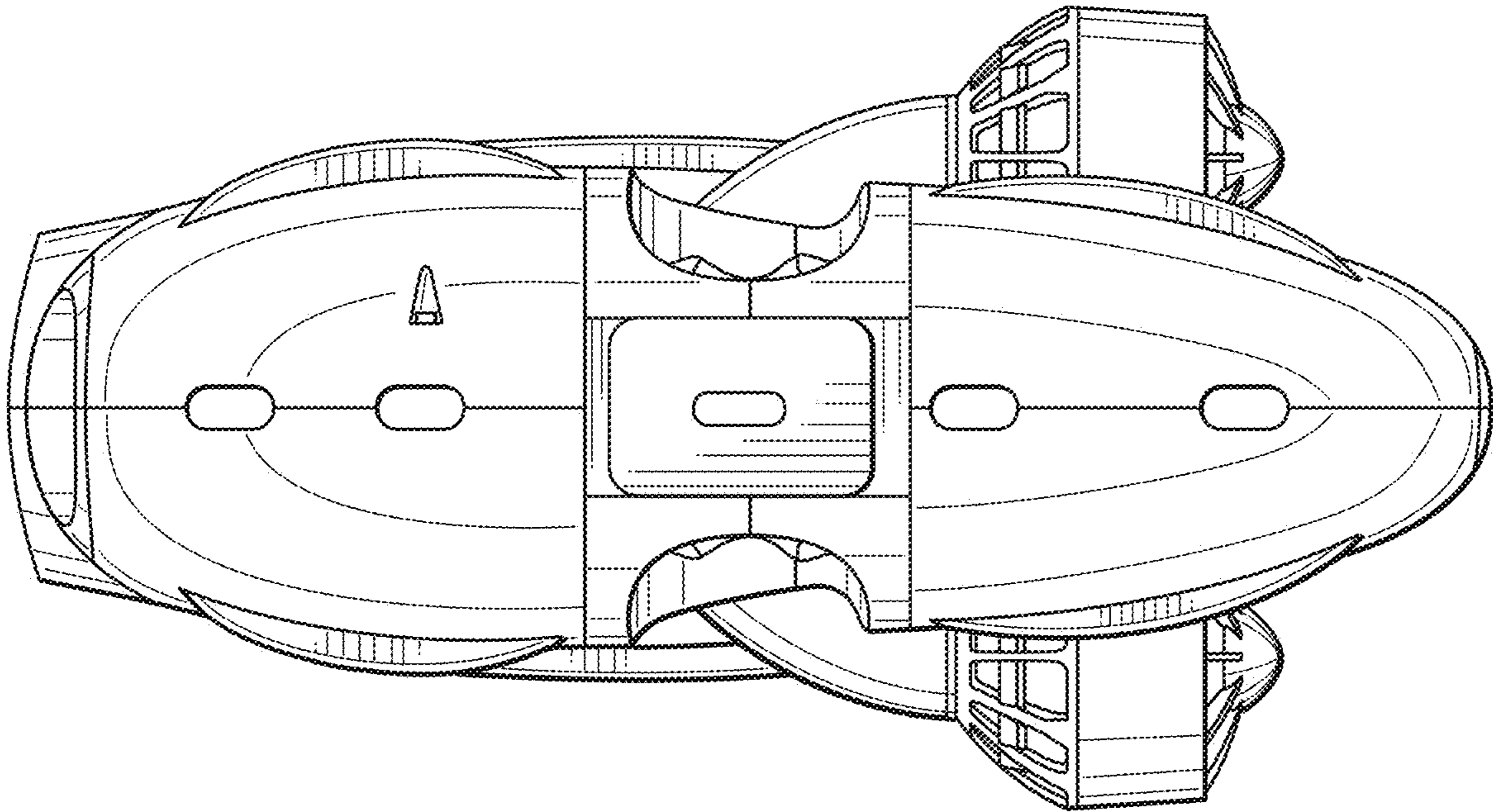


FIG. 9

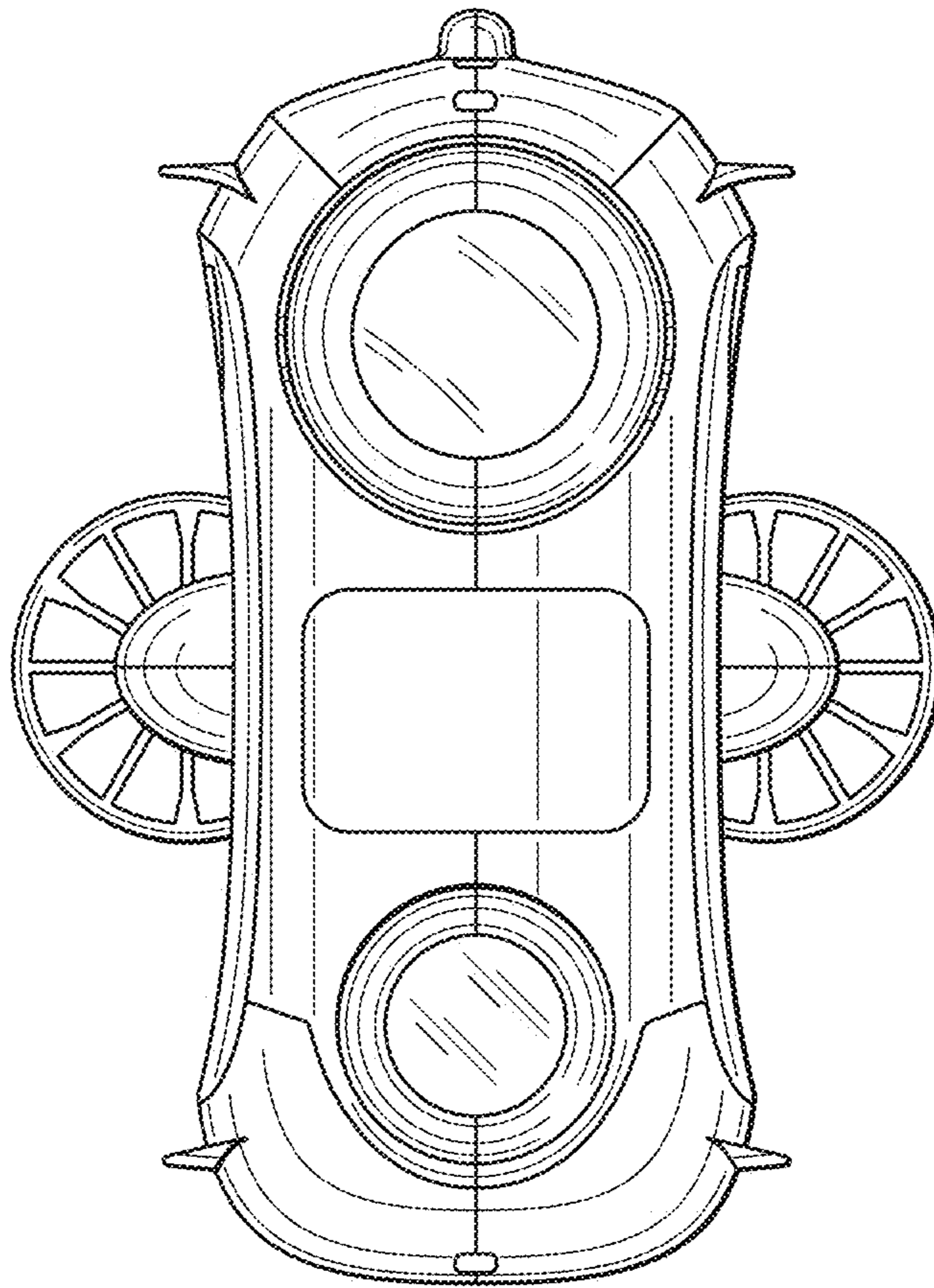


FIG. 10

