



US00D918120S

(12) **United States Design Patent**  
**Shi et al.**

(10) **Patent No.:** **US D918,120 S**

(45) **Date of Patent:** **\*\* May 4, 2021**

(54) **WATERTIGHT SIDE-RAIL FOR TONNEAU COVER**

(71) Applicants: **Hang Shi**, Changzhou (CN); **Hongjuan Zheng**, Changzhou (CN)

(72) Inventors: **Hang Shi**, Changzhou (CN); **Hongjuan Zheng**, Changzhou (CN)

(73) Assignees: **Hang Shi**, Jiangsu (CN); **Hongjuan Zheng**, Jiangsu (CN)

(\*\*) Term: **15 Years**

(21) Appl. No.: **29/644,591**

(22) Filed: **Apr. 19, 2018**

(51) **LOC (13) Cl.** ..... **12-16**

(52) **U.S. Cl.**  
USPC ..... **D12/223**

(58) **Field of Classification Search**  
USPC ..... D8/349, 354, 382, 394, 395; D12/400, D12/223, 181, 184, 185; D25/119  
CPC ... B60J 7/068; B60J 7/102; B60J 7/104; B60J 7/198; B60P 7/04; B60P 7/0815  
See application file for complete search history.

(56) **References Cited**

**U.S. PATENT DOCUMENTS**

D334,988 S *	4/1993	Cole	.....	D25/124
5,310,238 A *	5/1994	Wheatley	.....	B60J 7/104 296/100.18
5,540,475 A *	7/1996	Kersting	.....	B60J 7/185 224/331
5,788,315 A *	8/1998	Tucker	.....	B60J 7/102 160/395
6,250,861 B1 *	6/2001	Whitehead	.....	B60P 7/0815 410/100
6,669,264 B1 *	12/2003	Tucker	.....	B60J 7/104 296/100.15
6,913,175 B2 *	7/2005	Martin	.....	B60R 9/00 224/403
D750,544 S *	3/2016	Burhanidust	.....	D12/223

D751,024 S *	3/2016	Burhanidust	.....	D12/223
D753,576 S *	4/2016	Burhanidust	.....	D12/223
D793,852 S *	8/2017	Rathman	.....	D8/395
2002/0180235 A1 *	12/2002	Wheatley	.....	B60J 7/102 296/100.16

(Continued)

*Primary Examiner* — Sandra Snapp  
*Assistant Examiner* — Ieisha N Price

(57) **CLAIM**

The ornamental design for a watertight side-rail for tonneau cover, as shown and described.

**DESCRIPTION**

FIG. 1 is a top view of a watertight side-rail for tonneau cover;

FIG. 2 is a bottom view of the watertight side-rail for tonneau cover shown in FIG. 1;

FIG. 3 is a front view of the watertight side-rail for tonneau cover shown in FIG. 1;

FIG. 4 is a rear view of the watertight side-rail for tonneau cover shown in FIG. 1;

FIG. 5 is a left side view of the watertight side-rail for tonneau cover shown in FIG. 1;

FIG. 6 is a right side view of the watertight side-rail for tonneau cover shown in FIG. 1;

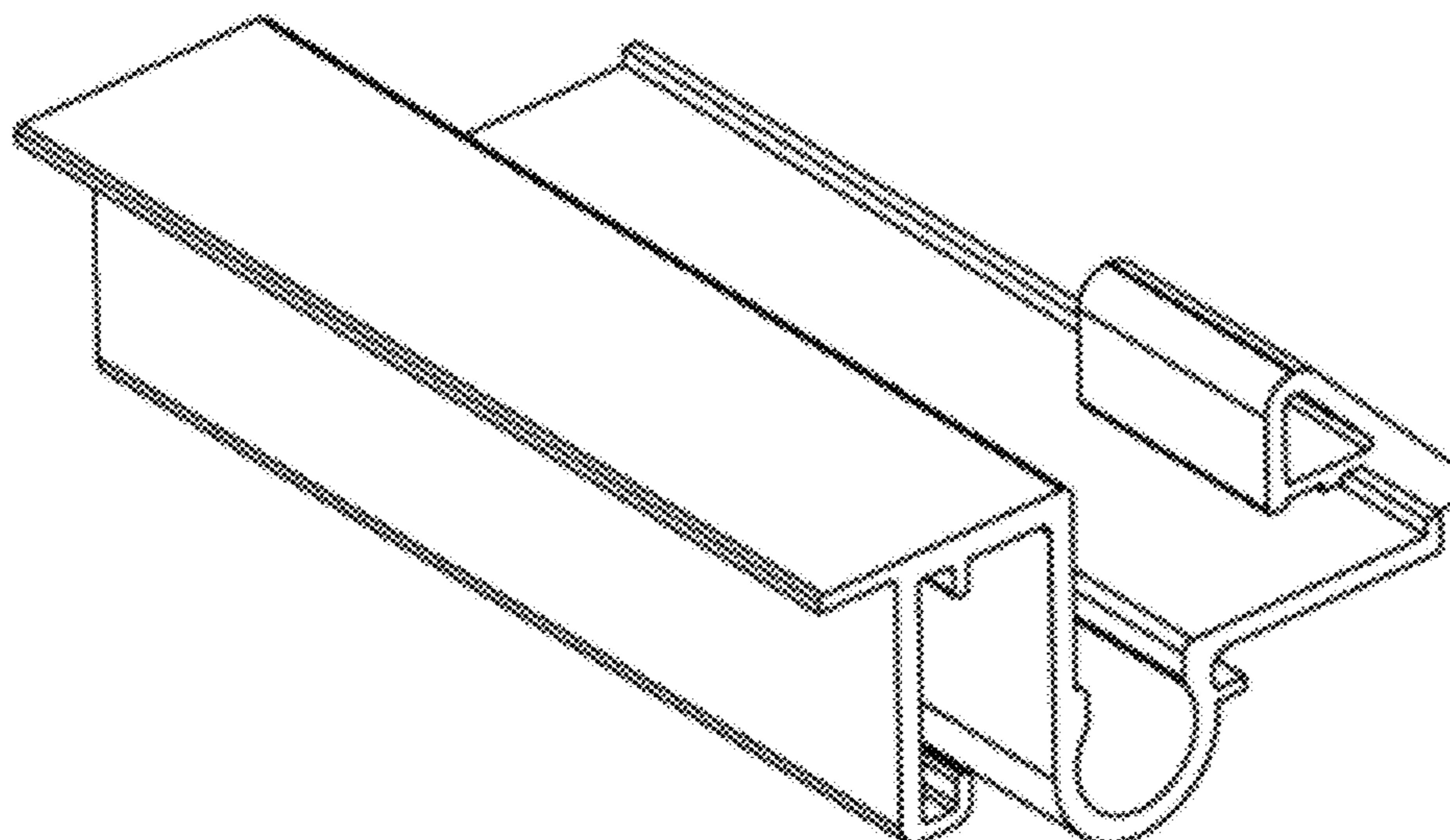
FIG. 7 is a perspective view of the watertight side-rail for tonneau cover shown in FIG. 1;

FIG. 8 is a perspective view of the watertight side-rail for tonneau cover shown in FIG. 1, being used along with a locking device and clamp; and,

FIG. 9 is a side view of the watertight side-rail for tonneau cover shown in FIG. 1, being used along with a locking device and clamp.

The broken lines rendered in FIGS. 8 and 9 illustrates the environment of the claimed design and forms no part thereof.

**1 Claim, 3 Drawing Sheets**



(56)

**References Cited**

U.S. PATENT DOCUMENTS

2016/0107515 A1\* 4/2016 Shi ..... B60J 7/062  
296/100.18  
2017/0001499 A1\* 1/2017 Facchinello ..... B60J 7/141  
2018/0281576 A1\* 10/2018 Zichettello ..... B60J 10/80

\* cited by examiner

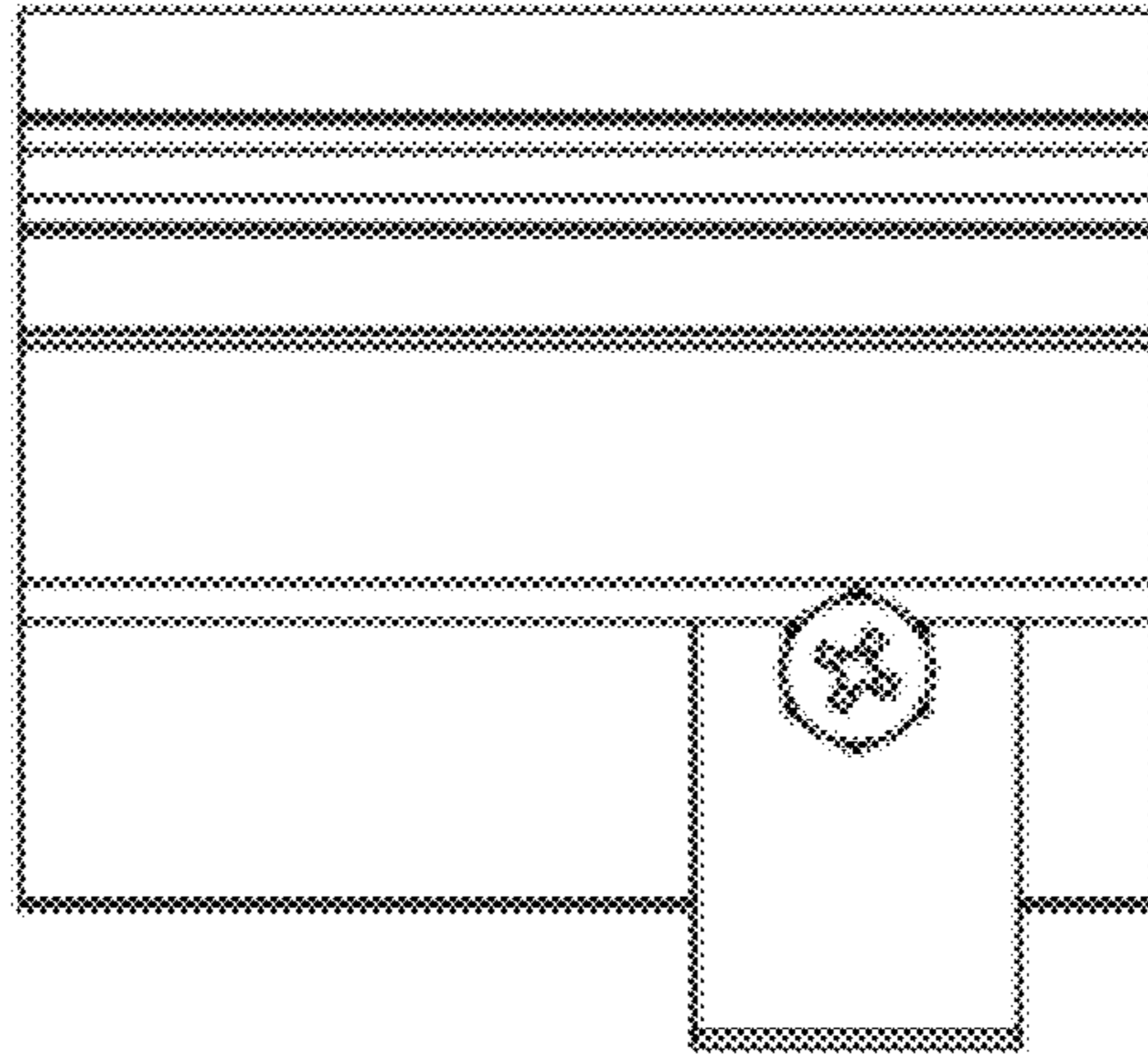


Figure 1

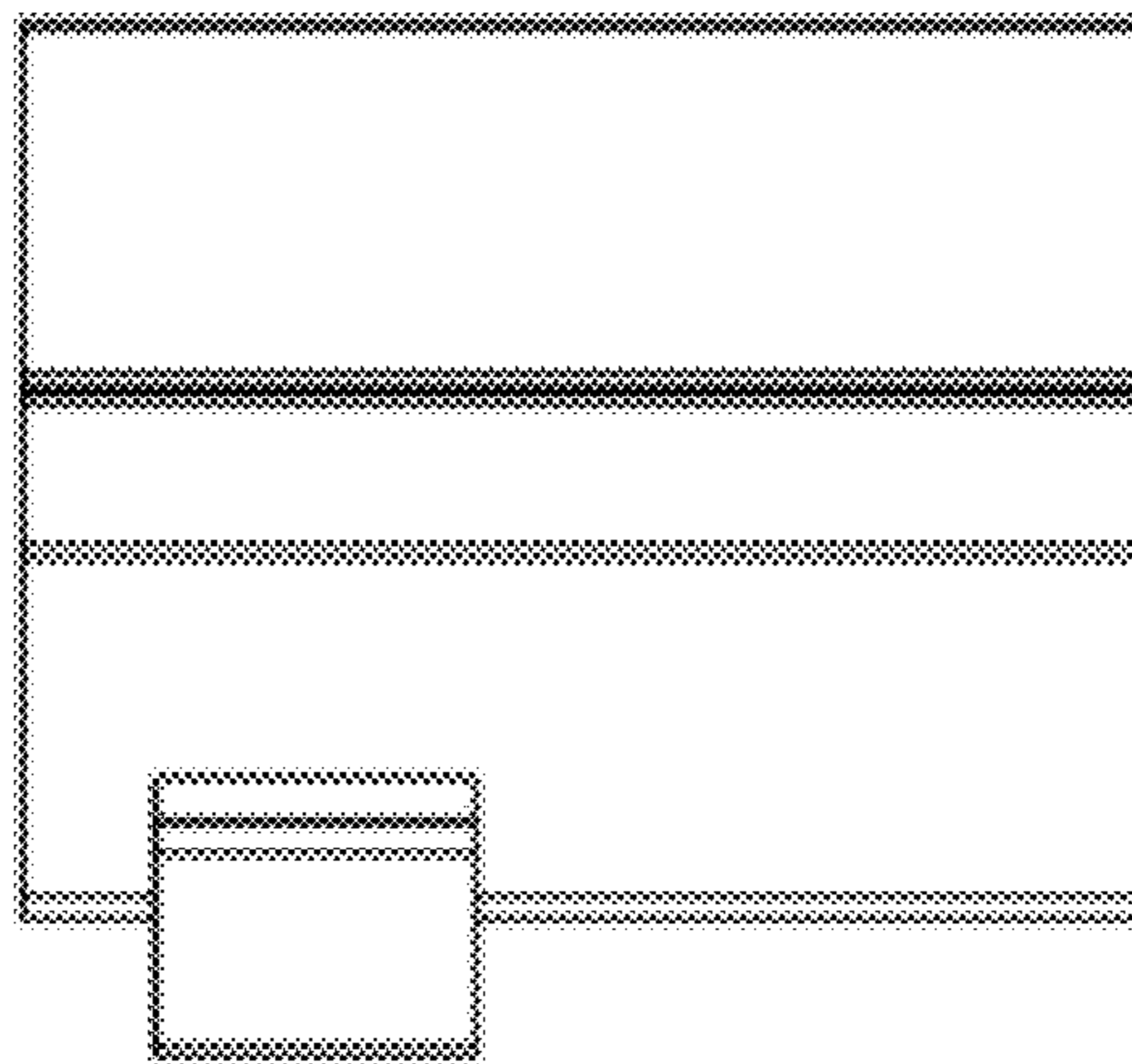


Figure 2

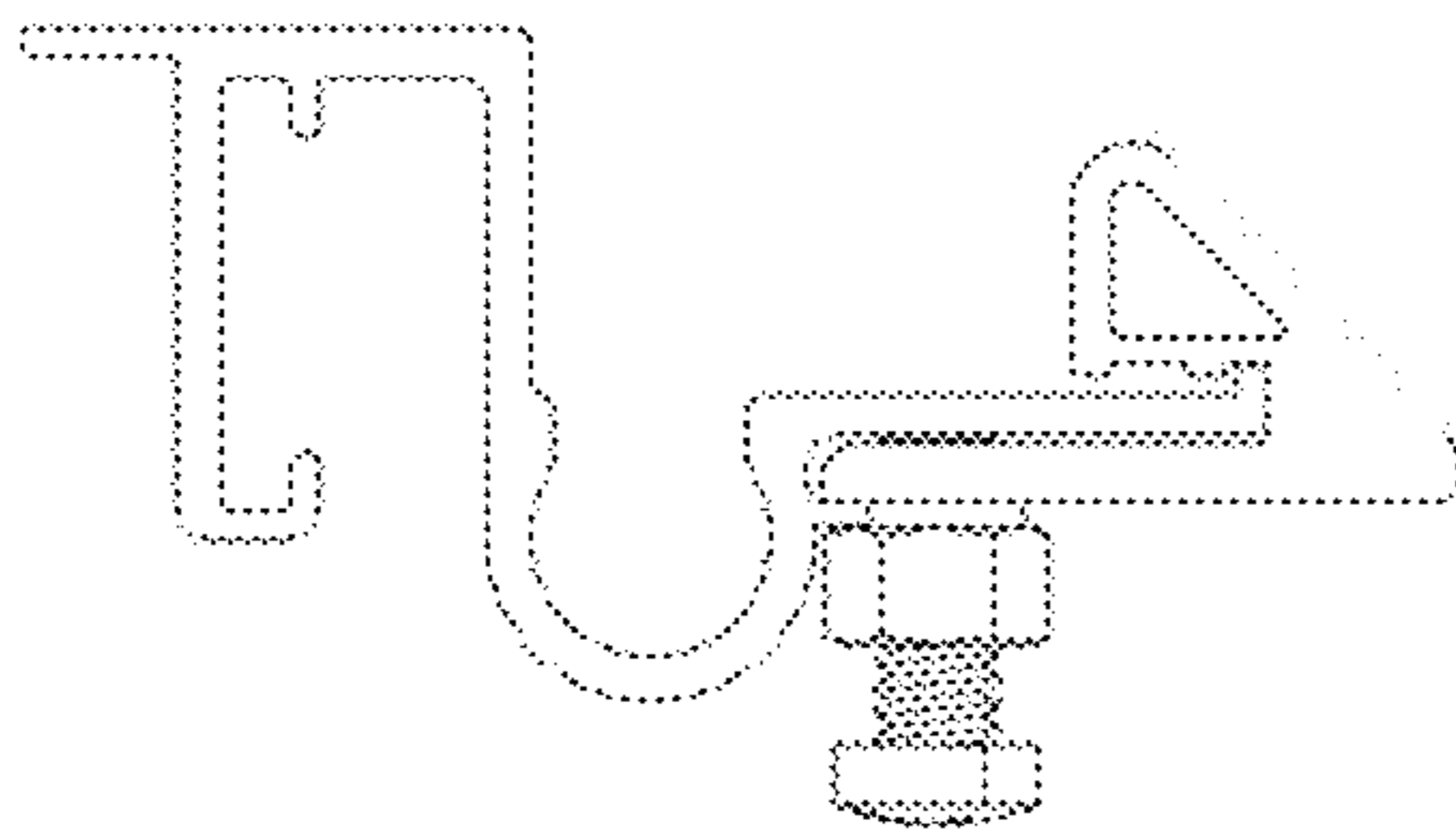


Figure 3

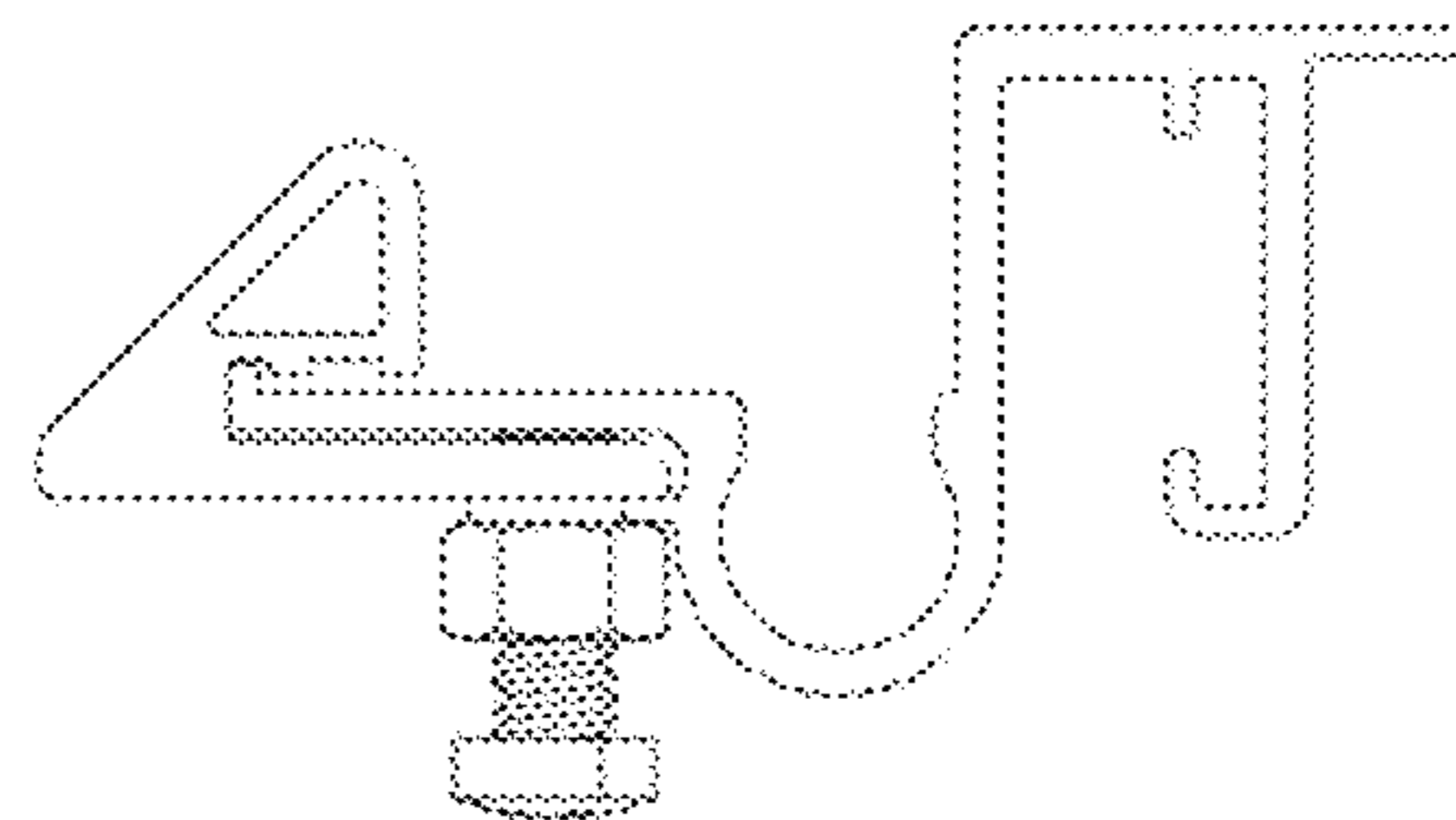


Figure 4

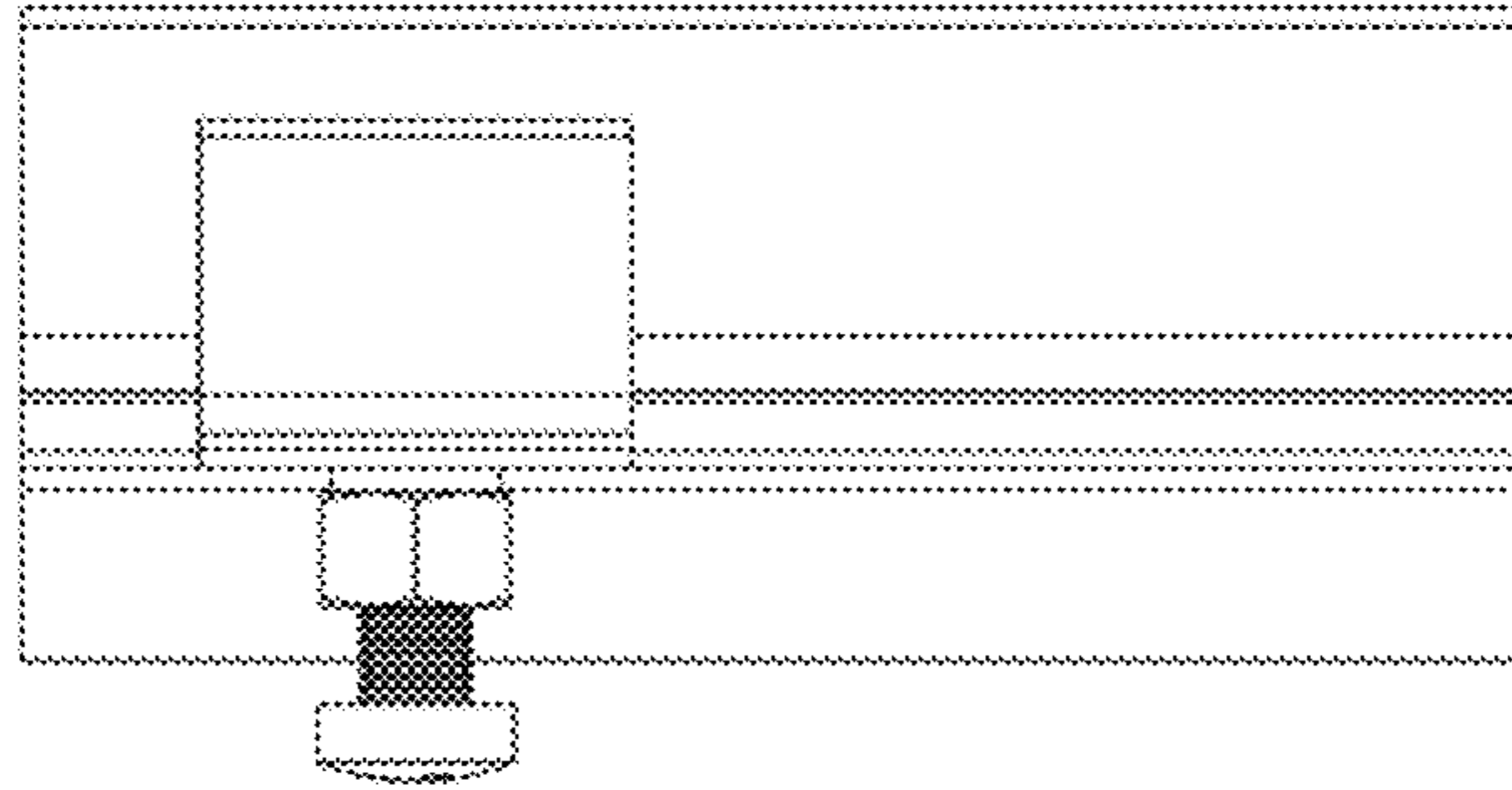


Figure 5

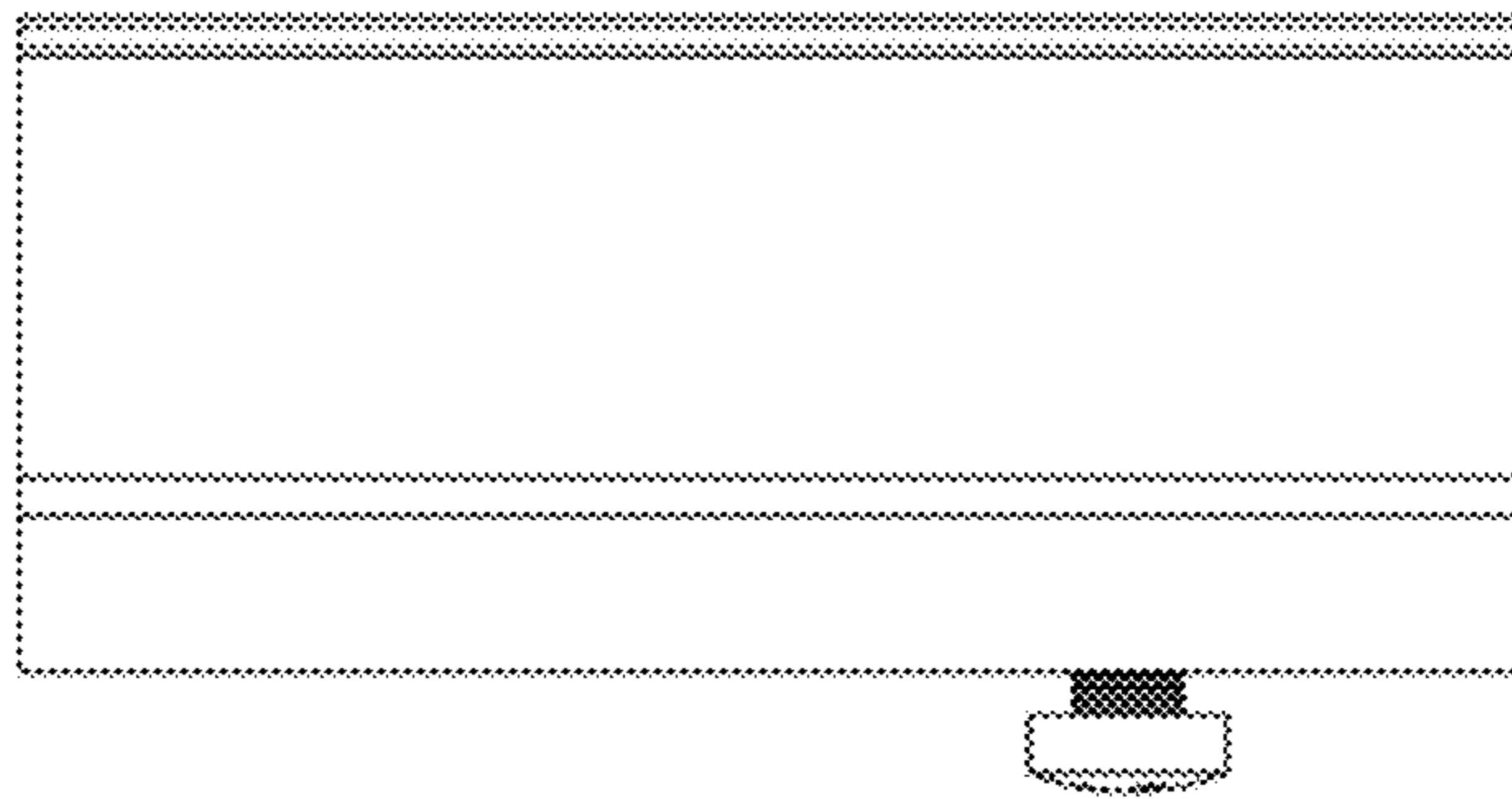


Figure 6

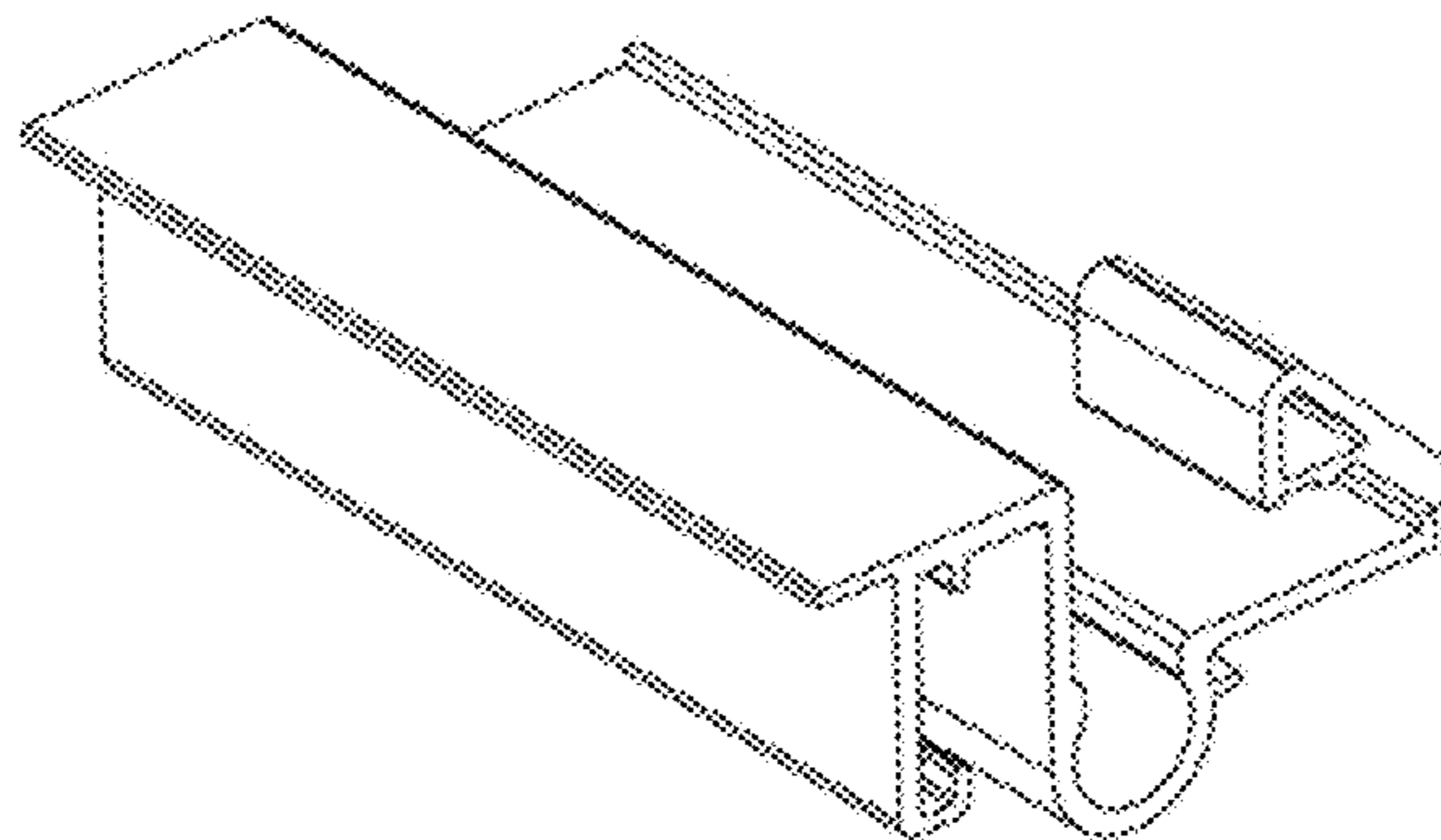


Figure 7



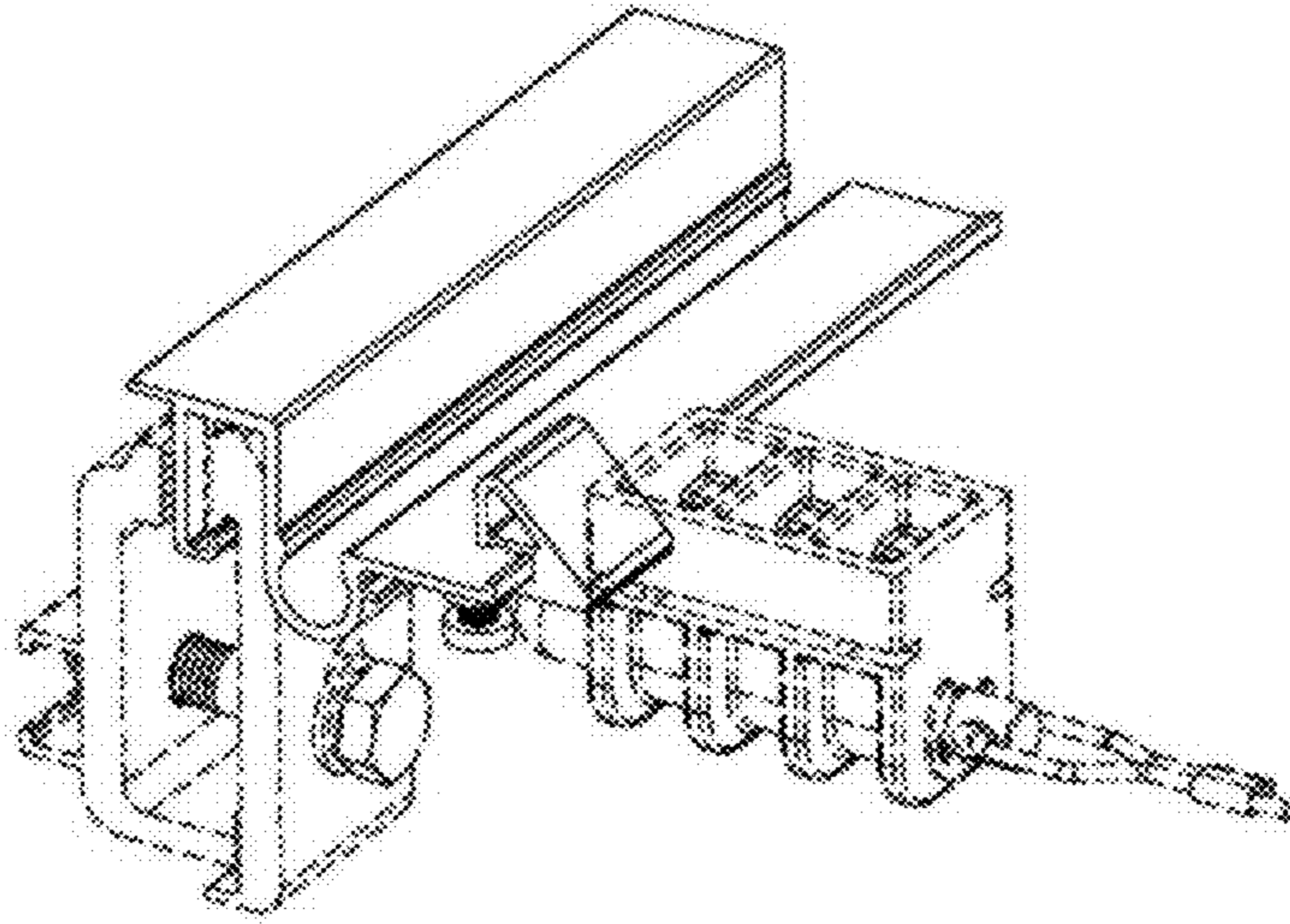


Figure 8

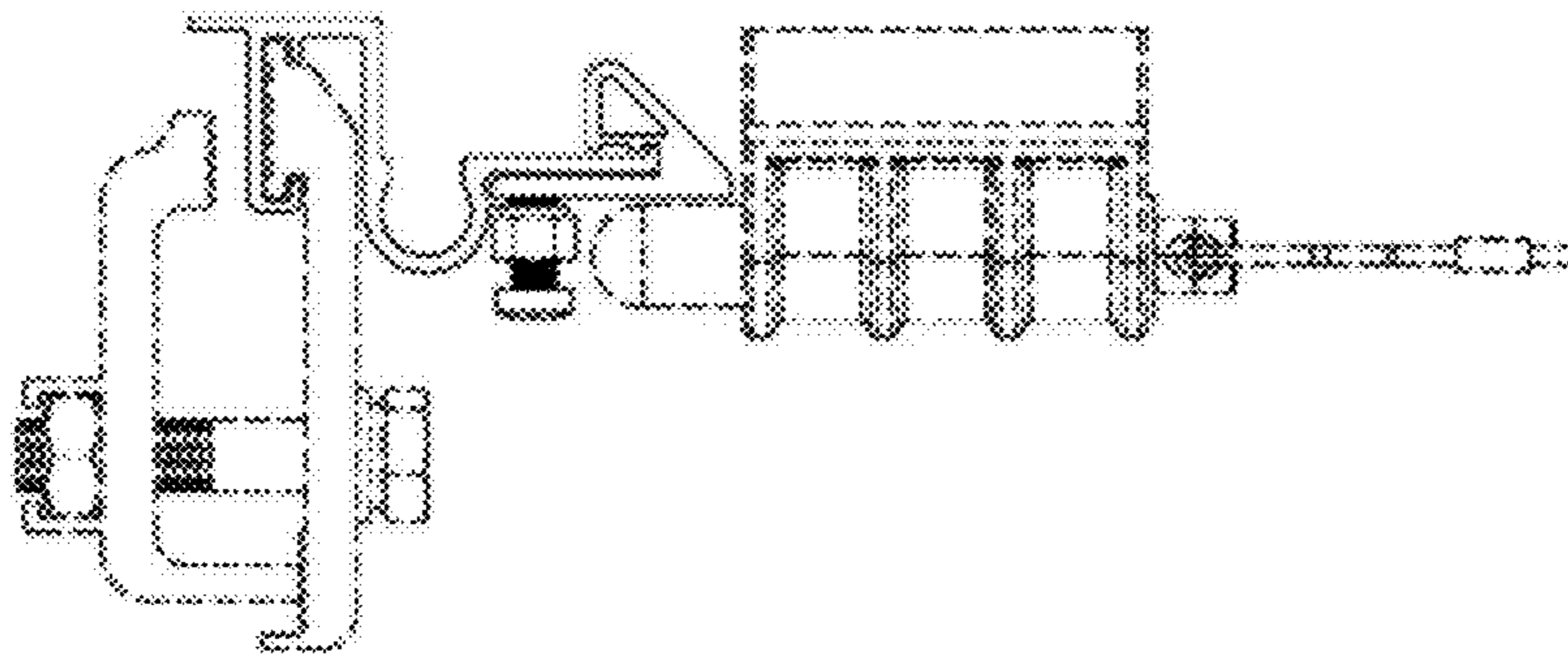


Figure 9