



US00D918119S

(12) **United States Design Patent**  
**Han**

(10) **Patent No.:** **US D918,119 S**

(45) **Date of Patent:** **\*\* May 4, 2021**

(54) **AUTOMOTIVE WHEEL**

(71) Applicant: **Donnie Han**, Corona, CA (US)

(72) Inventor: **Donnie Han**, Corona, CA (US)

(\*\*) Term: **15 Years**

(21) Appl. No.: **29/726,899**

(22) Filed: **Mar. 6, 2020**

(51) **LOC (13) Cl.** ..... **12-16**

(52) **U.S. Cl.**  
USPC ..... **D12/209**

(58) **Field of Classification Search**  
USPC ..... D12/204–213; D21/563  
CPC .... B60B 7/00; B60B 7/02; B60B 7/04; B60B 7/01; B60B 7/06; B60B 3/02; B60B 3/04; B60B 3/06; B60B 3/10; B60B 1/00; B60B 1/08; B60B 1/10; B60B 1/12  
See application file for complete search history.

(56) **References Cited**

**U.S. PATENT DOCUMENTS**

D748,560 S *	2/2016	Simm	.....	D12/211
D817,843 S *	5/2018	Hale, Jr.	.....	D12/209
D837,709 S *	1/2019	Chung	.....	D12/209
D846,478 S *	4/2019	Kovacs	.....	D12/209

D855,539 S *	8/2019	Han	.....	D12/209
D856,255 S *	8/2019	Johnson	.....	D12/209
D857,592 S *	8/2019	Han	.....	D12/209
D863,186 S *	10/2019	Han	.....	D12/209
D864,076 S *	10/2019	Han	.....	D12/209
D870,631 S *	12/2019	Ash	.....	D12/209
D874,375 S *	2/2020	Han	.....	D12/209
D877,676 S *	3/2020	Lee	.....	D12/209
D886,705 S *	6/2020	Williams	.....	D12/209
D889,368 S *	7/2020	Lee	.....	D12/209
D891,344 S *	7/2020	Platto	.....	D12/209
D900,696 S *	11/2020	Han	.....	D12/209
D902,109 S *	11/2020	Han	.....	D12/209
D906,214 S *	12/2020	Han	.....	D12/209
D912,594 S *	3/2021	Ranum	.....	D12/209

\* cited by examiner

*Primary Examiner* — Stacia A Cadmus

(57) **CLAIM**

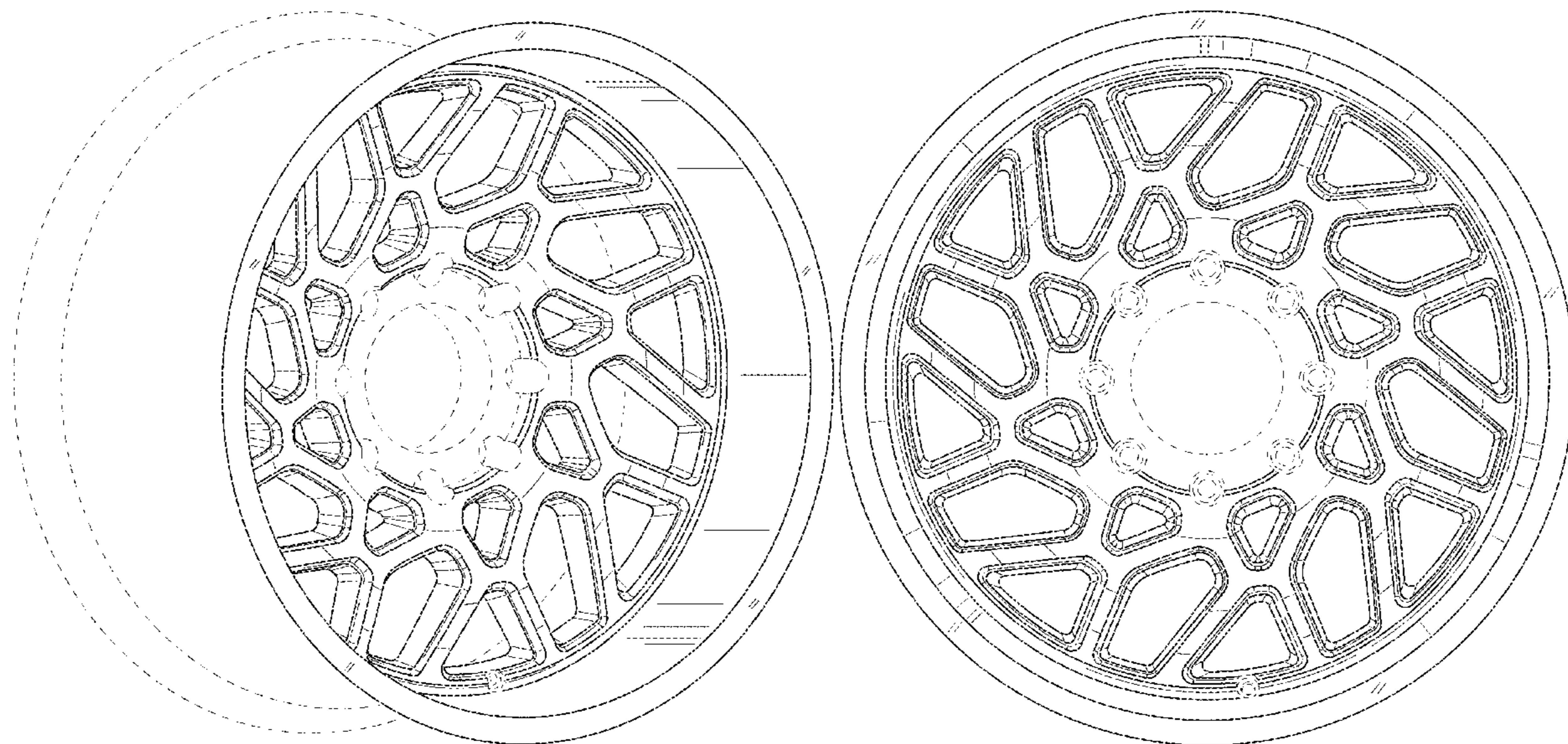
The ornamental design for an automotive wheel, as shown and described.

**DESCRIPTION**

FIG. 1 is a perspective view of an automotive wheel, showing my new design; and, FIG. 2 is a front view thereof.

In the drawings the broken lines depict portions of the wheel that form no part of the claimed design.

**1 Claim, 2 Drawing Sheets**



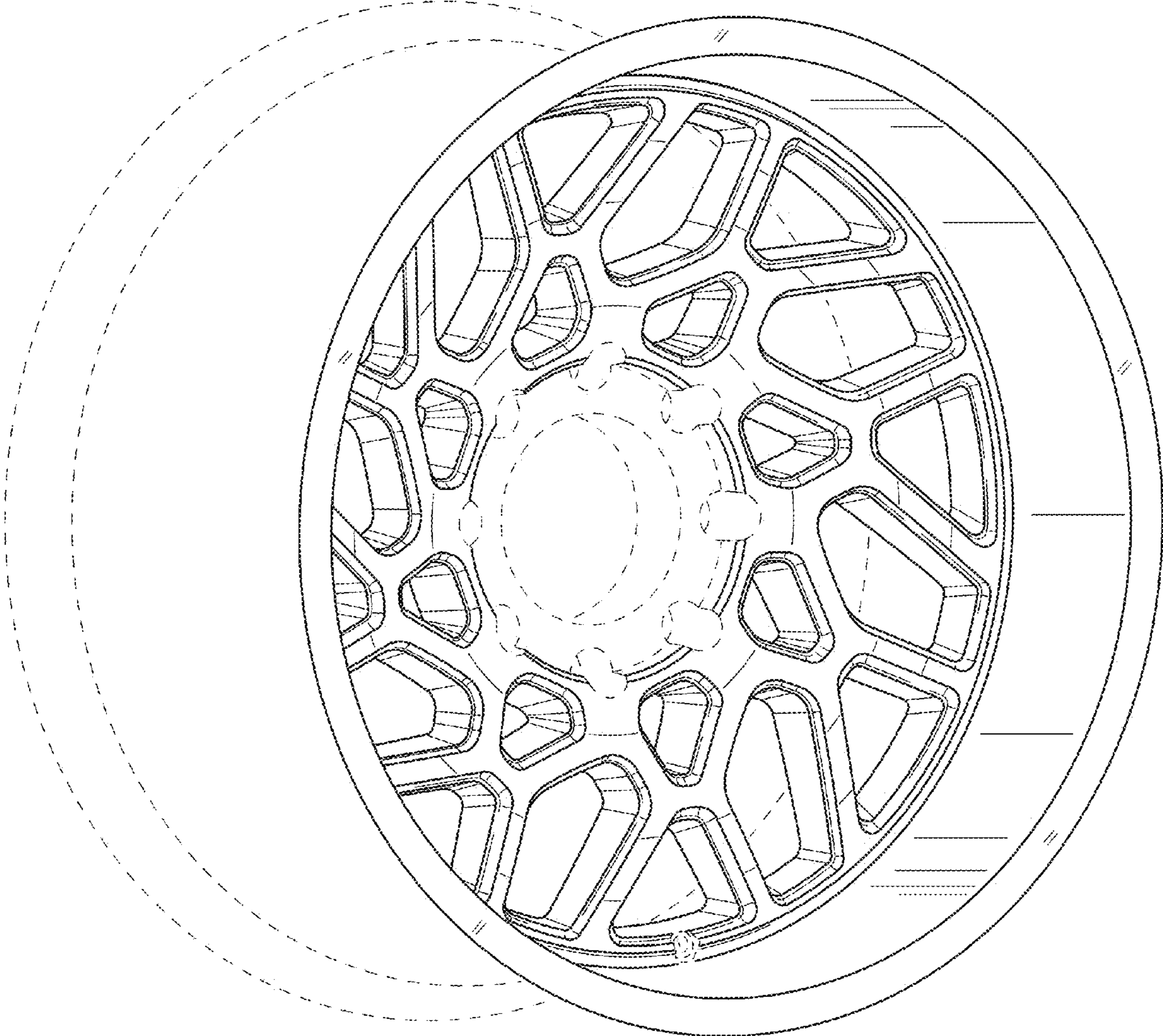


FIGURE 1

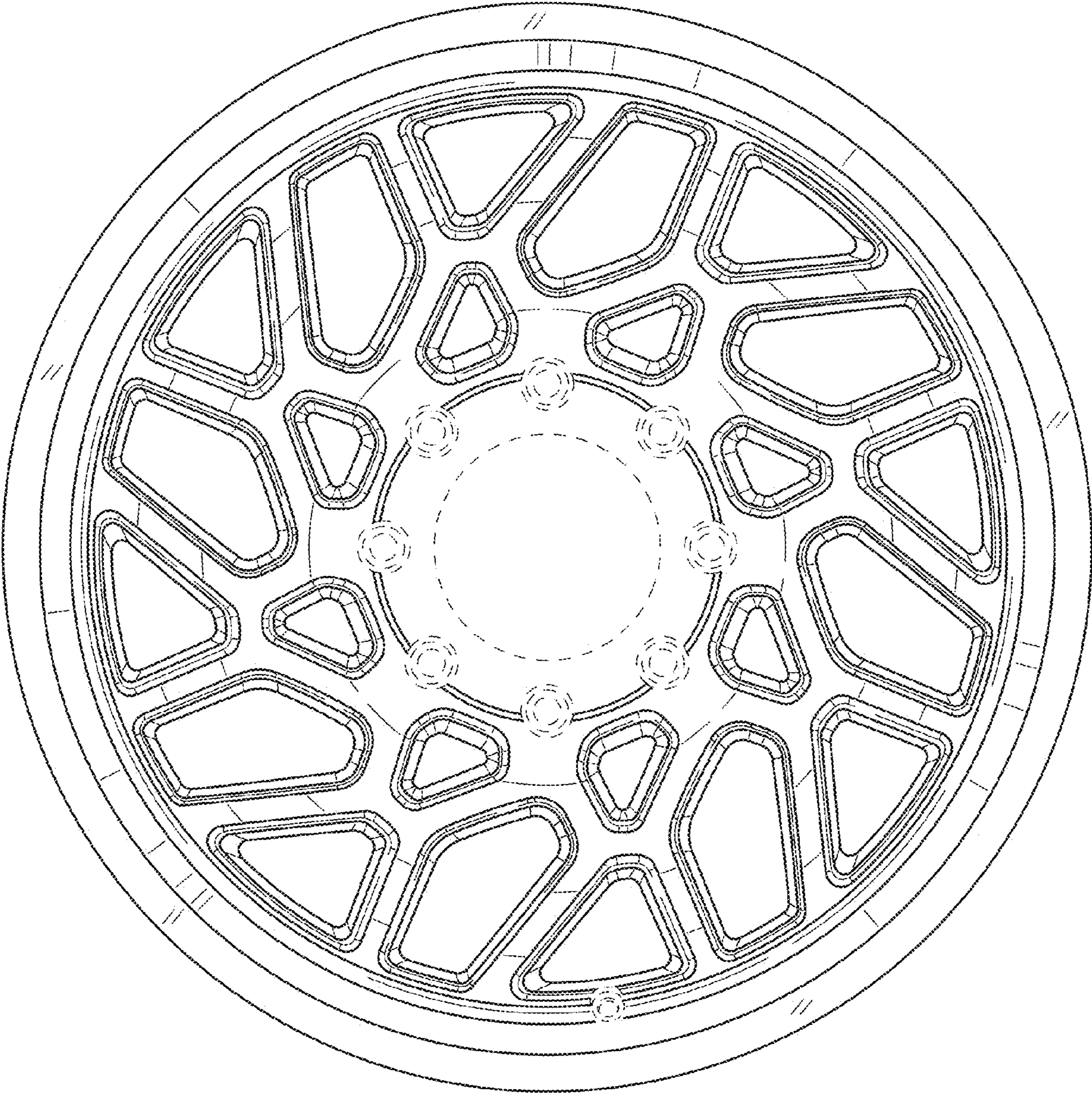


FIGURE 2