



US00D918118S

(12) **United States Design Patent**
Ma

(10) **Patent No.:** **US D918,118 S**

(45) **Date of Patent:** **** May 4, 2021**

(54) **VEHICLE WHEEL**

(71) Applicant: **CITIC Dicastal Co., Ltd.**,
Qinhuangdao (CN)

(72) Inventor: **Liang Ma**, Qinhuangdao (CN)

(73) Assignee: **CITIC Dicastal Co., Ltd.**,
Qinhuangdao (CN)

(**) Term: **15 Years**

(21) Appl. No.: **29/710,041**

(22) Filed: **Oct. 18, 2019**

(30) **Foreign Application Priority Data**

Jun. 17, 2019 (CN) 201930311913.9

(51) **LOC (13) Cl.** **12-16**

(52) **U.S. Cl.**
USPC **D12/209**

(58) **Field of Classification Search**
USPC D12/204–213; D21/563
CPC B60B 7/00; B60B 7/02; B60B 7/04; B60B
7/01; B60B 7/06; B60B 3/02; B60B 3/04;
B60B 3/06; B60B 3/10; B60B 1/00;
B60B 1/08; B60B 1/10; B60B 1/12
See application file for complete search history.

(56) **References Cited**

U.S. PATENT DOCUMENTS

D635,904 S * 4/2011 Futschik D12/209
D671,059 S * 11/2012 Pollmann D12/209
D673,093 S * 12/2012 Platto D12/209
D763,761 S * 8/2016 Dionisopoulos D12/209
D763,763 S * 8/2016 Stone D12/209

D773,370 S * 12/2016 Bucher D12/211
D782,383 S * 3/2017 Owens D12/209
D795,148 S * 8/2017 Ariga D12/209
D808,324 S * 1/2018 Ninov D12/211
D818,927 S * 5/2018 Valencia Pollex D12/209
D827,539 S * 9/2018 Behmer D12/209
D838,648 S * 1/2019 Metros D12/209
D843,302 S * 3/2019 Khachatryan D12/209
D845,858 S * 4/2019 Chu D12/209
D851,006 S * 6/2019 Hans D12/209
D862,351 S * 10/2019 Bjerke D12/209
D864,830 S * 10/2019 Khachatryan D12/209
D865,627 S * 11/2019 Chi D12/209
D871,296 S * 12/2019 Bjerke D12/209
D877,026 S * 3/2020 Rosello Visa D12/209
D887,337 S * 6/2020 Daniel D12/209
D889,352 S * 7/2020 Wang D12/209
D897,920 S * 10/2020 Hoste D12/209
D899,997 S * 10/2020 Glover D12/209
D901,356 S * 11/2020 Ninov D12/209
D904,956 S * 12/2020 Metros D12/209

* cited by examiner

Primary Examiner — Stacia A Cadmus

(74) *Attorney, Agent, or Firm* — IPro, PLLC; Qian Gu

(57) **CLAIM**

The ornamental design for a vehicle wheel, as shown and described.

DESCRIPTION

FIG. 1 is a front view of a vehicle wheel.

FIG. 2 is a perspective view of the vehicle wheel; and,
FIG. 3 is a left side view of the vehicle wheel.

The broken line showing of the rear of the rim, the valve stem hole, the bolt holes and the center hole in the central hub area is included for the purpose of illustrating environment and forms no part of the claimed design.

1 Claim, 3 Drawing Sheets

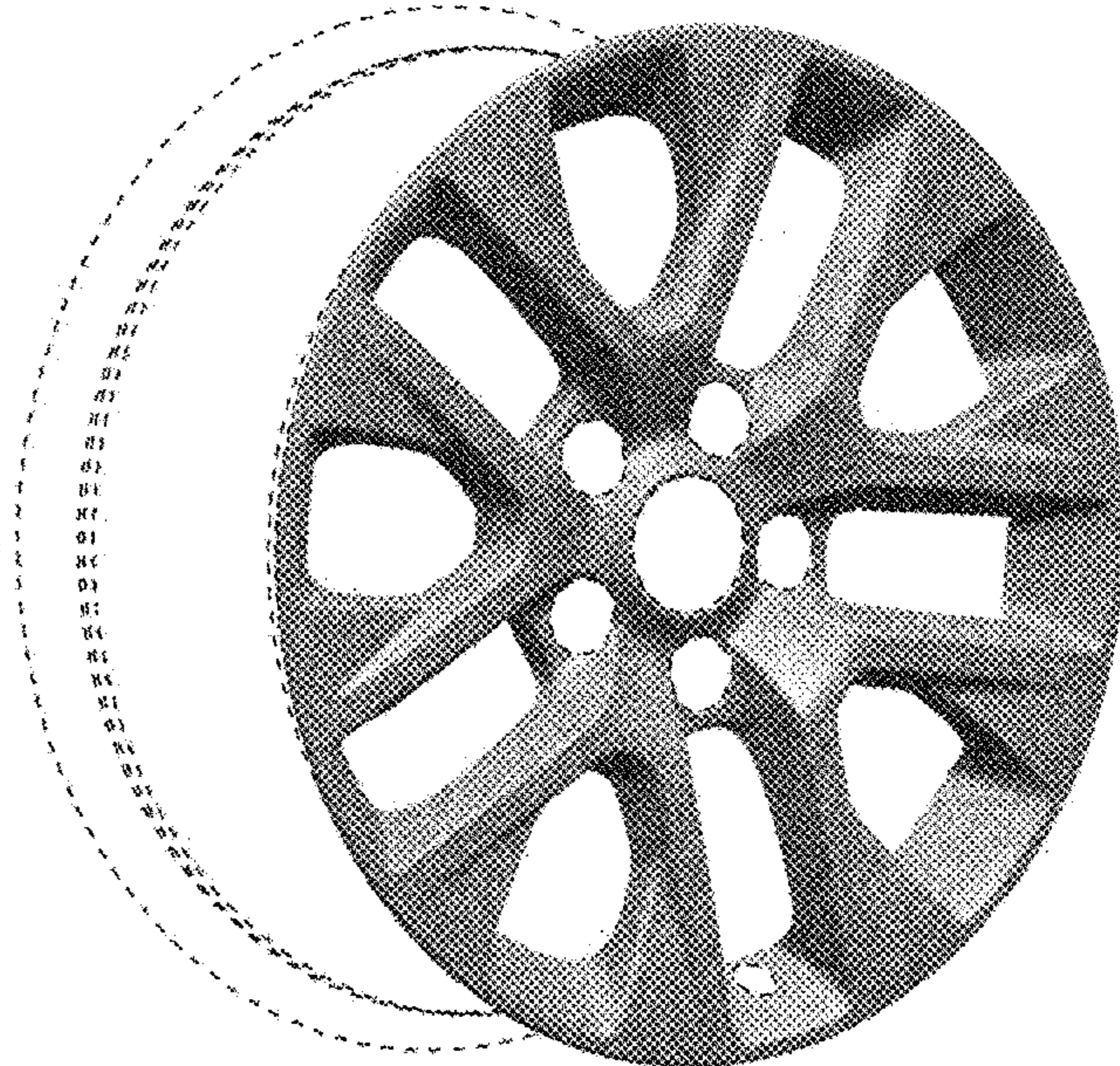
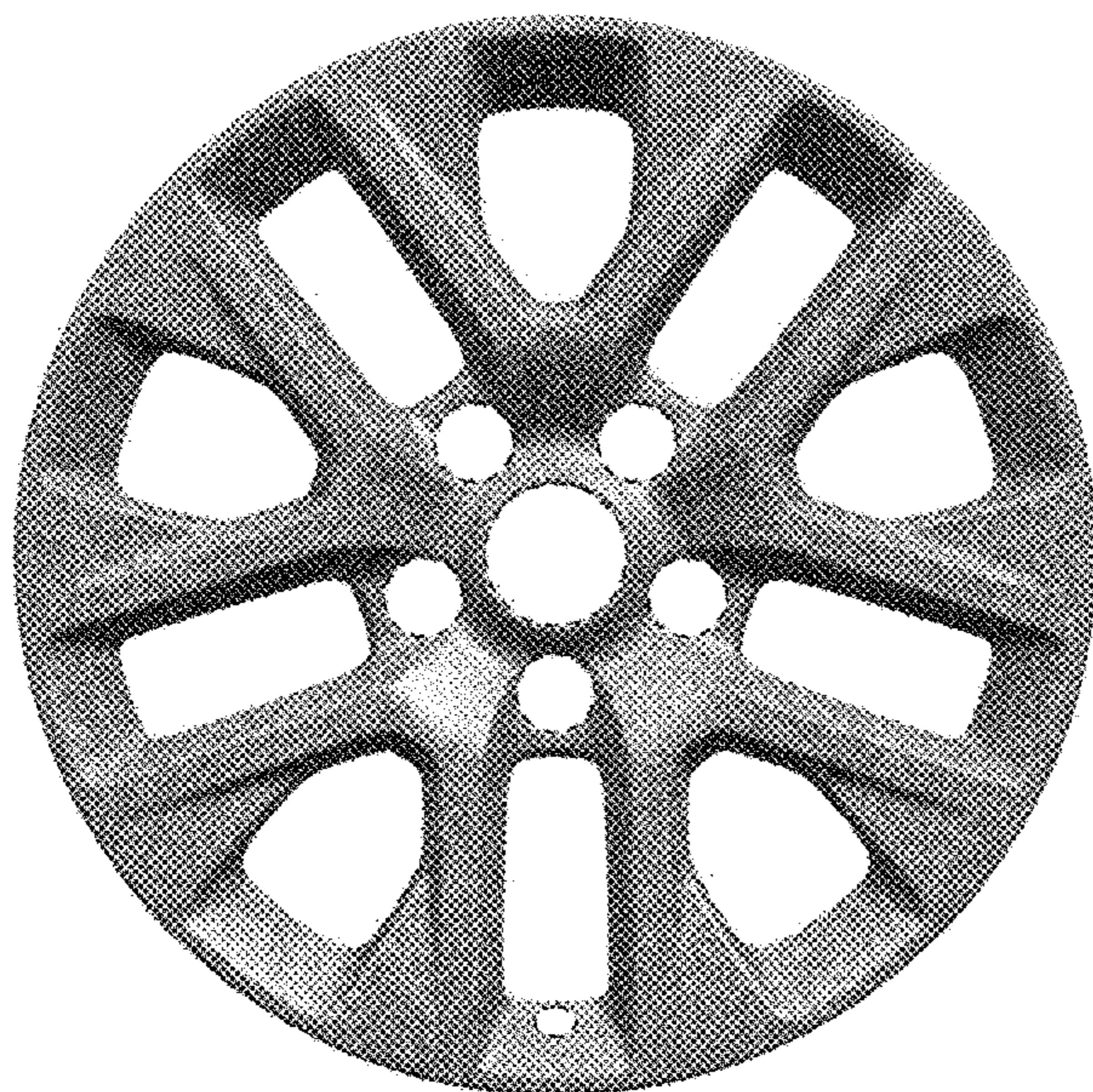




FIG. 1

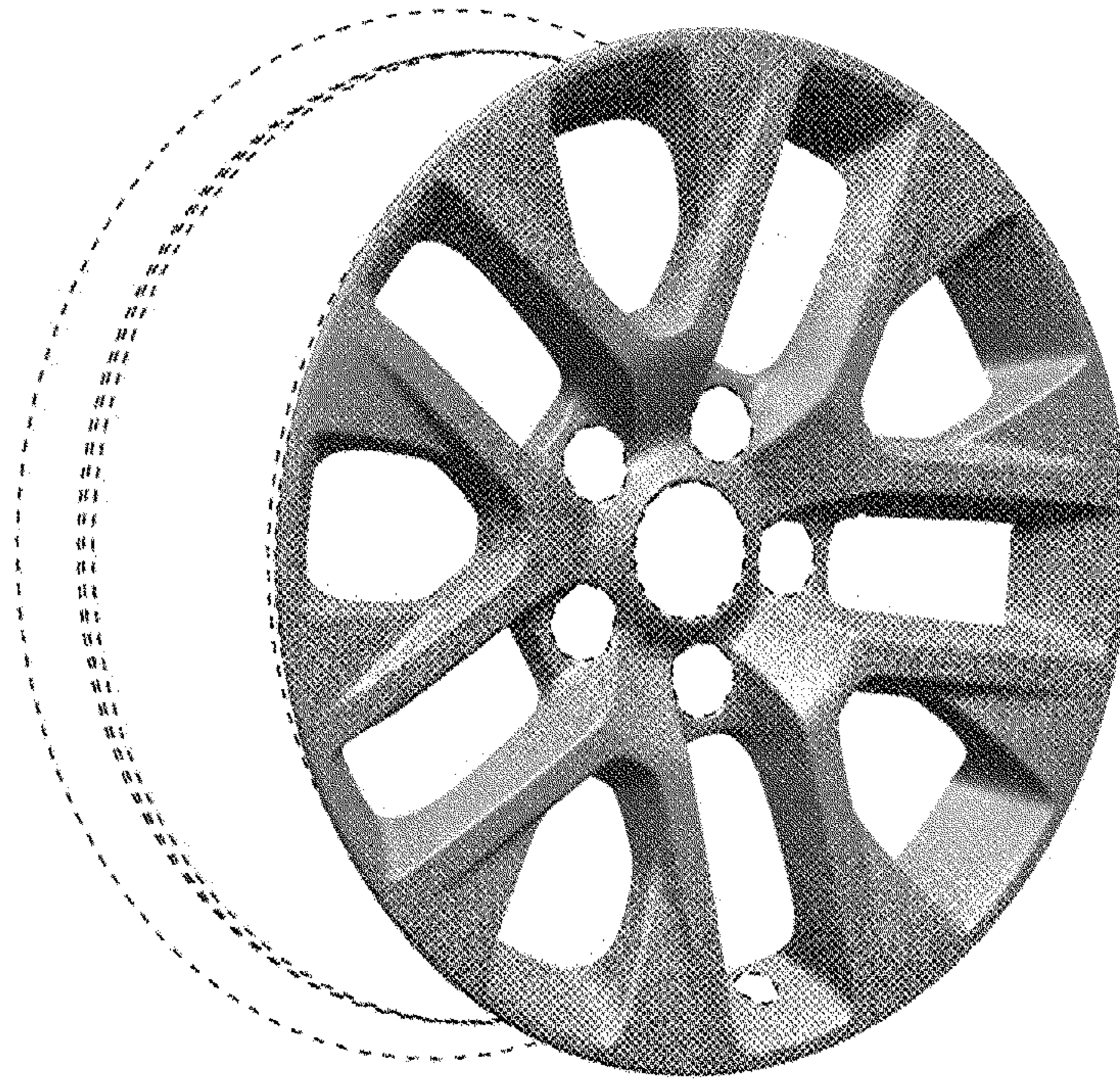


FIG. 2

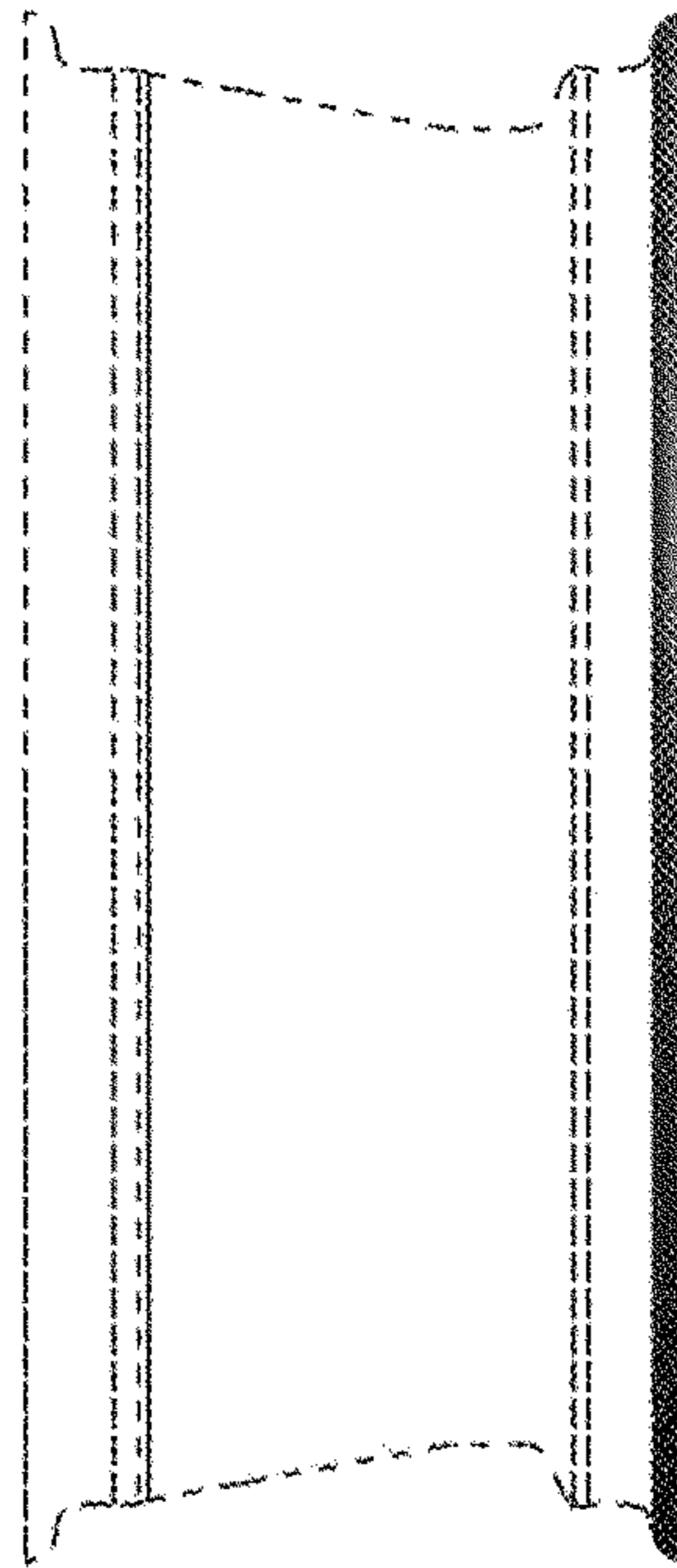


FIG. 3