



US00D918115S

(12) **United States Design Patent**
Chung

(10) **Patent No.:** **US D918,115 S**

(45) **Date of Patent:** **** May 4, 2021**

(54) **WHEEL**

(71) Applicant: **Honda Motor Co., Ltd.**, Tokyo (JP)

(72) Inventor: **Jae Chung**, Irvine, CA (US)

(73) Assignee: **HONDA MOTOR CO., LTD.**, Tokyo (JP)

(**) Term: **15 Years**

(21) Appl. No.: **29/707,869**

(22) Filed: **Oct. 1, 2019**

(51) **LOC (13) Cl.** **12-16**

(52) **U.S. Cl.**
USPC **D12/209**

(58) **Field of Classification Search**
USPC D12/204–213; D21/563
CPC B60B 7/00; B60B 7/02; B60B 7/04; B60B 7/01; B60B 7/06; B60B 3/02; B60B 3/04; B60B 3/06; B60B 3/10; B60B 1/00; B60B 1/08; B60B 1/10; B60B 1/12
See application file for complete search history.

(56) **References Cited**

U.S. PATENT DOCUMENTS

D666,958 S *	9/2012	Suzuki	D12/211
D706,194 S *	6/2014	Hanaoka	D12/209
D709,427 S *	7/2014	Clottu	D12/209
D726,086 S *	4/2015	Muntada Roura	D12/209
D748,031 S *	1/2016	Miyazawa	D12/209
D755,692 S *	5/2016	Nakahara	D12/209
D757,626 S *	5/2016	Bridan	D12/209
D763,158 S *	8/2016	Hara	D12/209
D774,434 S *	12/2016	Nakahara	D12/209
D788,003 S *	5/2017	Conforzi	D12/209
D792,306 S *	7/2017	Ishigaki	D12/209
D803,132 S *	11/2017	Okaji	D12/209
D804,388 S *	12/2017	Snyder	D12/209
D820,160 S *	6/2018	Smock et al.	D12/209
D826,126 S *	8/2018	Valencia Pollex	D12/209

D826,826 S *	8/2018	Back	D12/209
D847,694 S *	5/2019	Smock et al.	D12/209
D856,247 S *	8/2019	Smock	D12/209
D856,887 S *	8/2019	Imazato	D12/209
D858,404 S *	9/2019	Oh	D12/209
D859,268 S *	9/2019	Rosello Visa	D12/209
D867,957 S *	11/2019	Kato	D12/209
D877,025 S *	3/2020	Rosello Visa	D12/209
D877,028 S *	3/2020	Kusunoki	D12/209
D879,002 S *	3/2020	Daniel	D12/209
D881,098 S *	4/2020	Shen	D12/209
D881,775 S *	4/2020	Meng	D12/209
D881,778 S *	4/2020	Dong	D12/209
D897,259 S *	9/2020	Daniel	D12/209

(Continued)

OTHER PUBLICATIONS

Design U.S. Appl. No. 29/707,842, Jae Chung et al., filed Oct. 1, 2019.

Primary Examiner — Stacia A Cadmus
(74) *Attorney, Agent, or Firm* — Plumsea Law Group, LLC

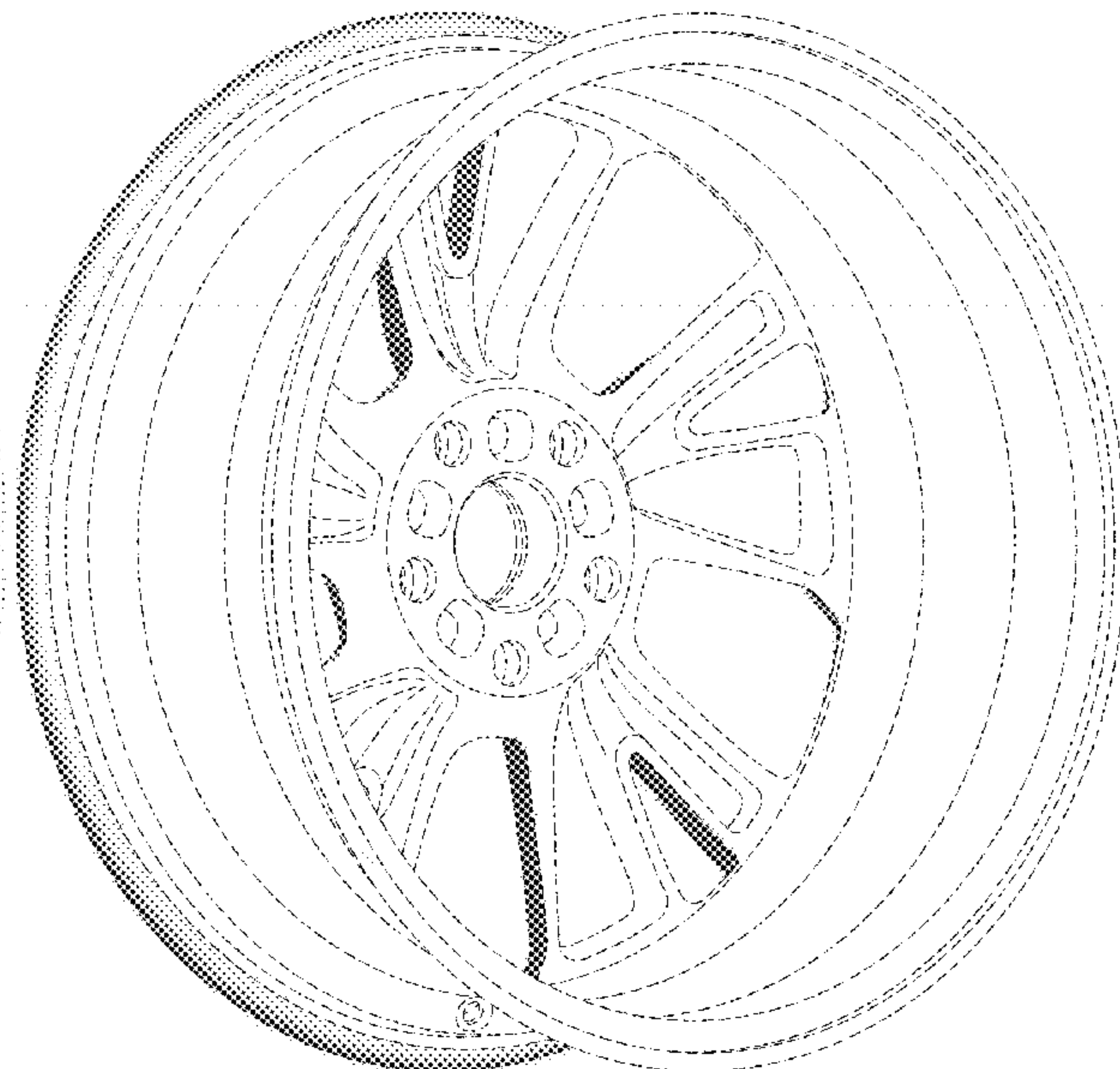
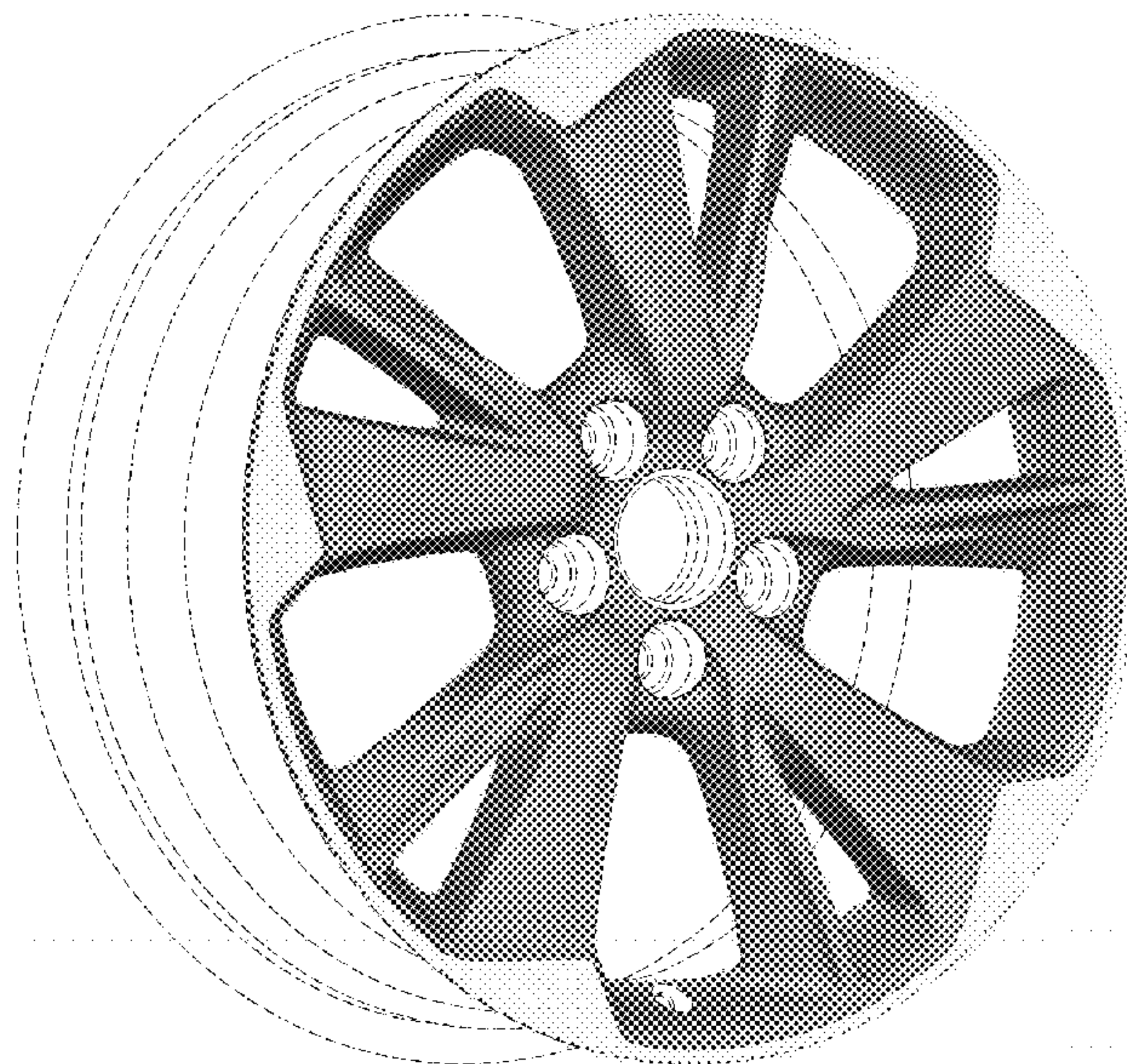
(57) **CLAIM**

The ornamental design for a wheel, as shown and described.

DESCRIPTION

FIG. 1 is a front perspective view of a wheel showing my new design.
FIG. 2 is a rear perspective view thereof.
FIG. 3 is a front elevational view thereof.
FIG. 4 is a rear elevational view thereof.
FIG. 5 is a left side elevational view thereof.
FIG. 6 is a right side elevational view thereof.
FIG. 7 is a top plan view thereof; and,
FIG. 8 is a bottom plan view thereof.
The broken line showing of portions of the wheel form no part of the claimed design.

1 Claim, 6 Drawing Sheets



(56)

References Cited

U.S. PATENT DOCUMENTS

D897,261 S * 9/2020 Valencia Pollex D12/209
D899,992 S * 10/2020 Melikian D12/209

* cited by examiner

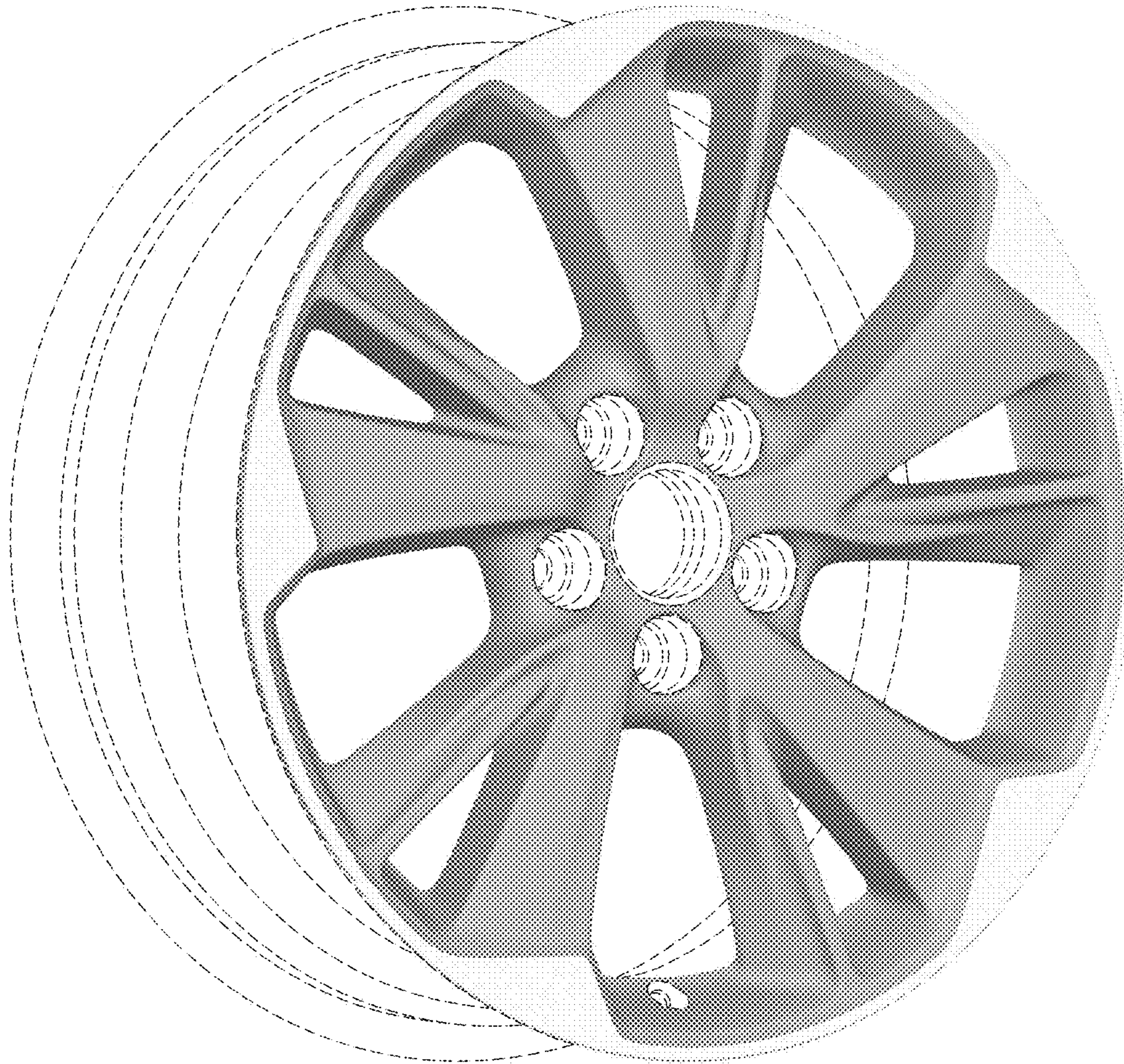


FIG. 1

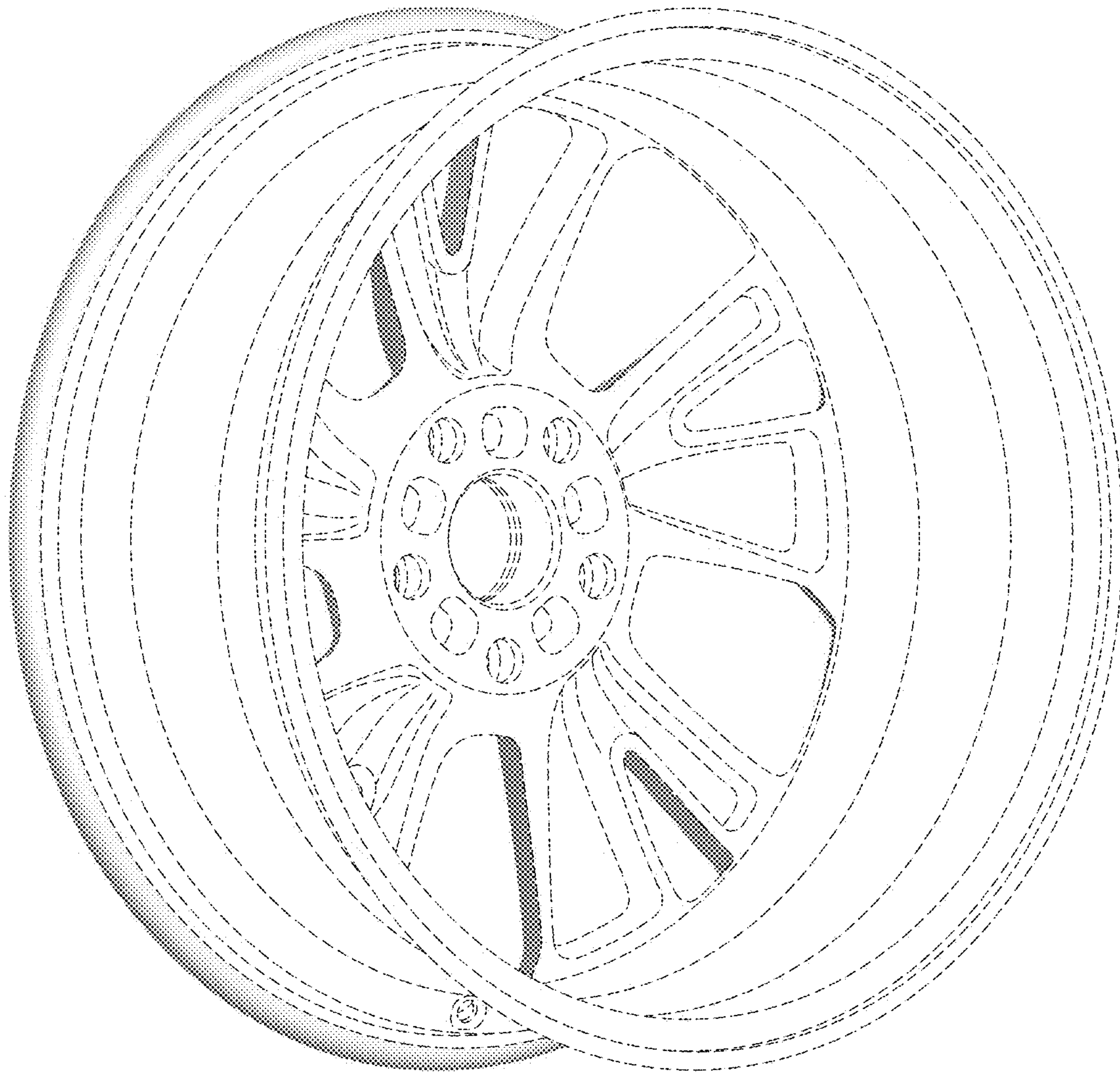


FIG. 2

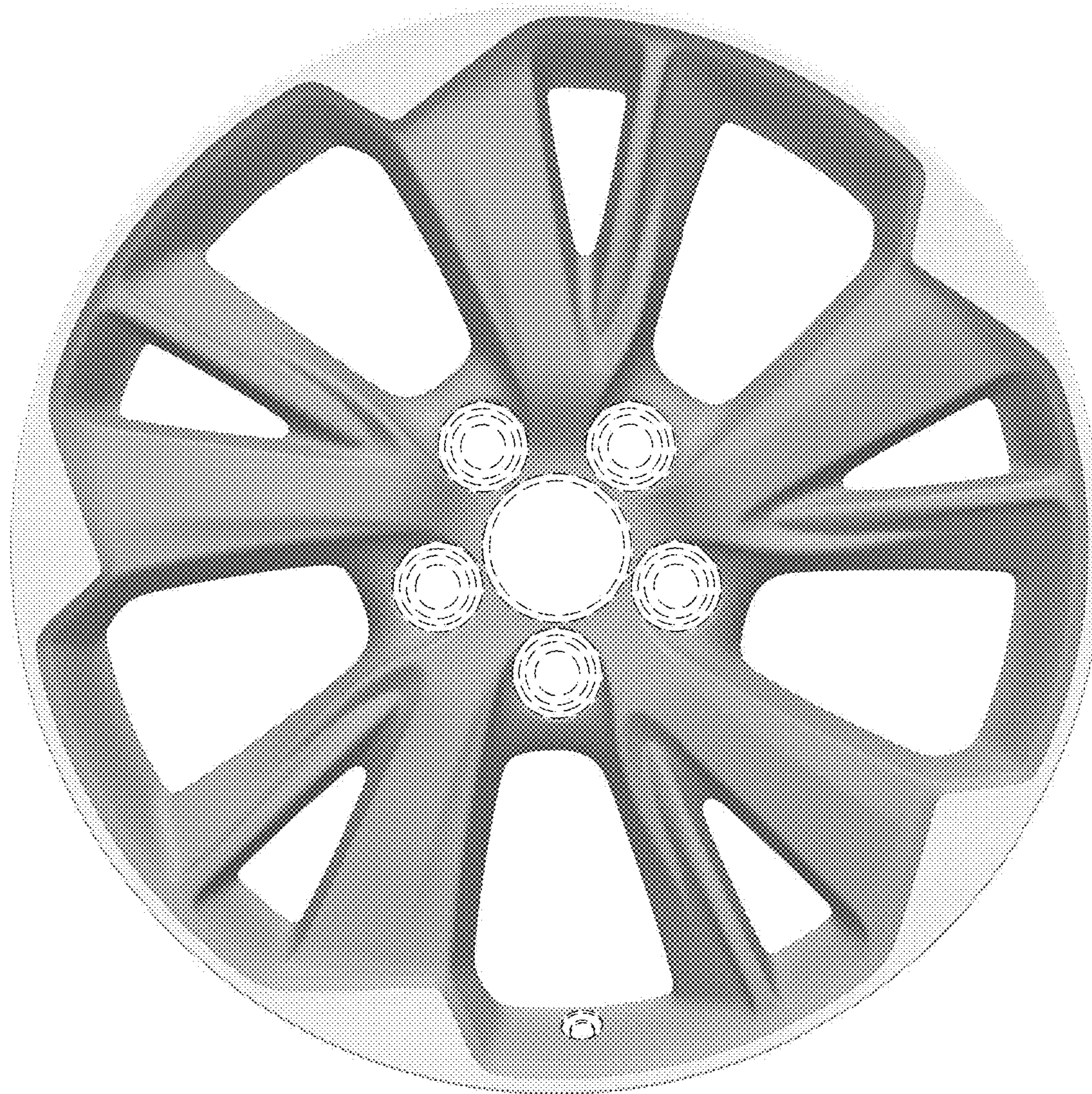


FIG. 3

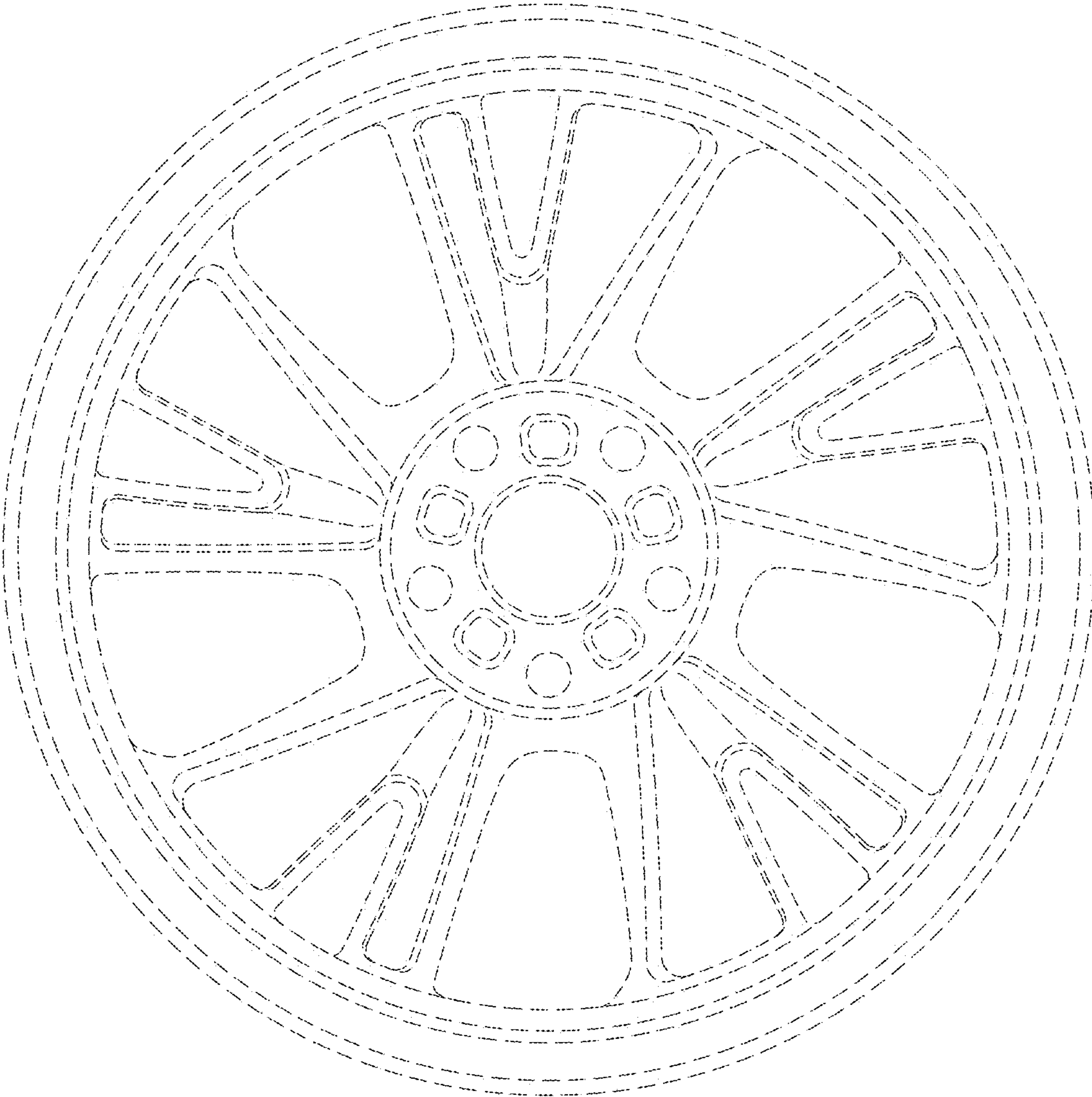


FIG. 4

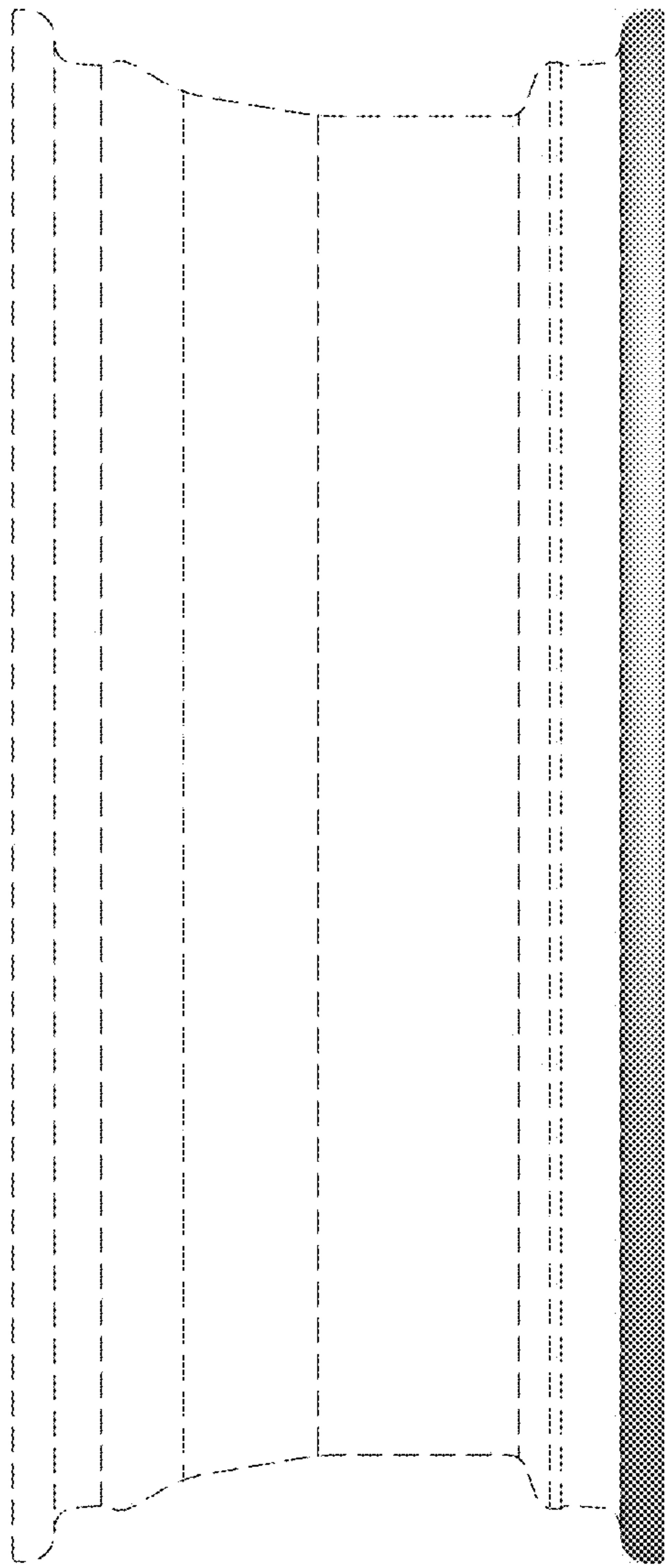


FIG. 5

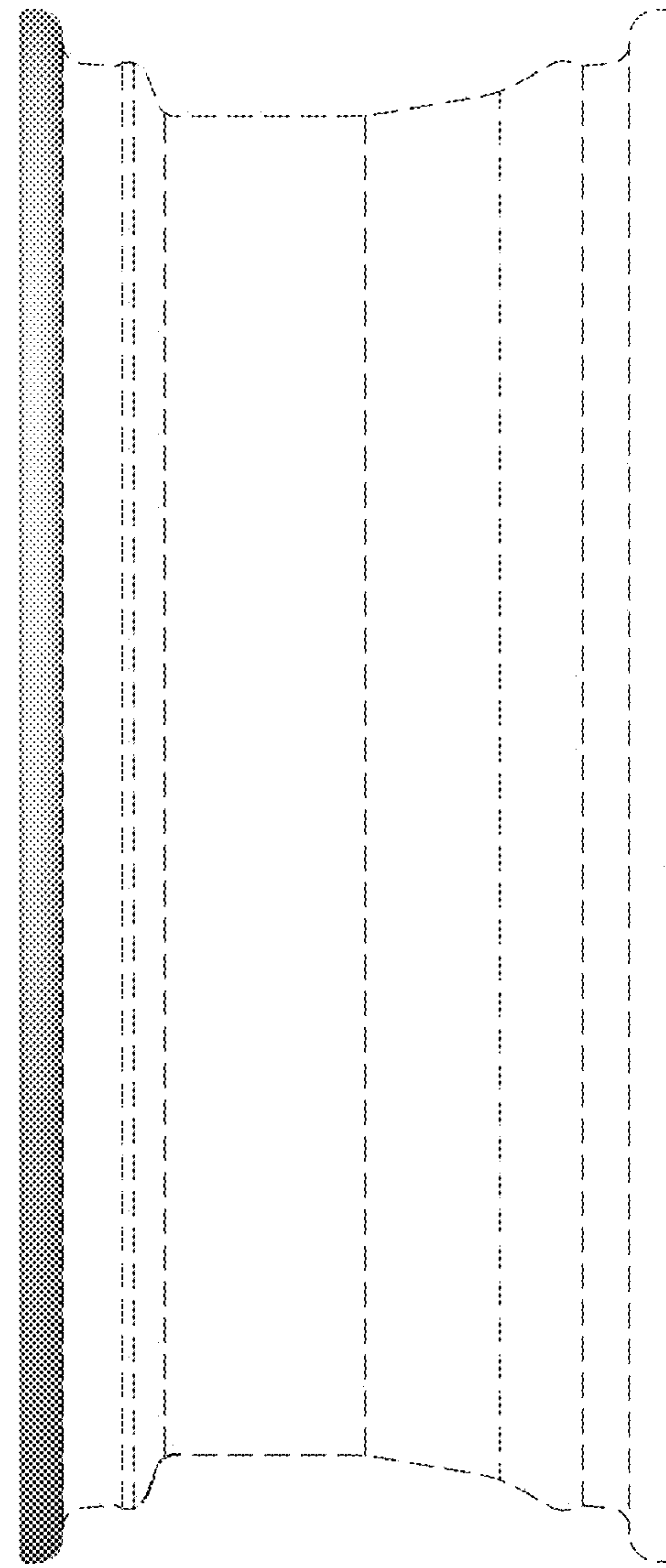


FIG. 6

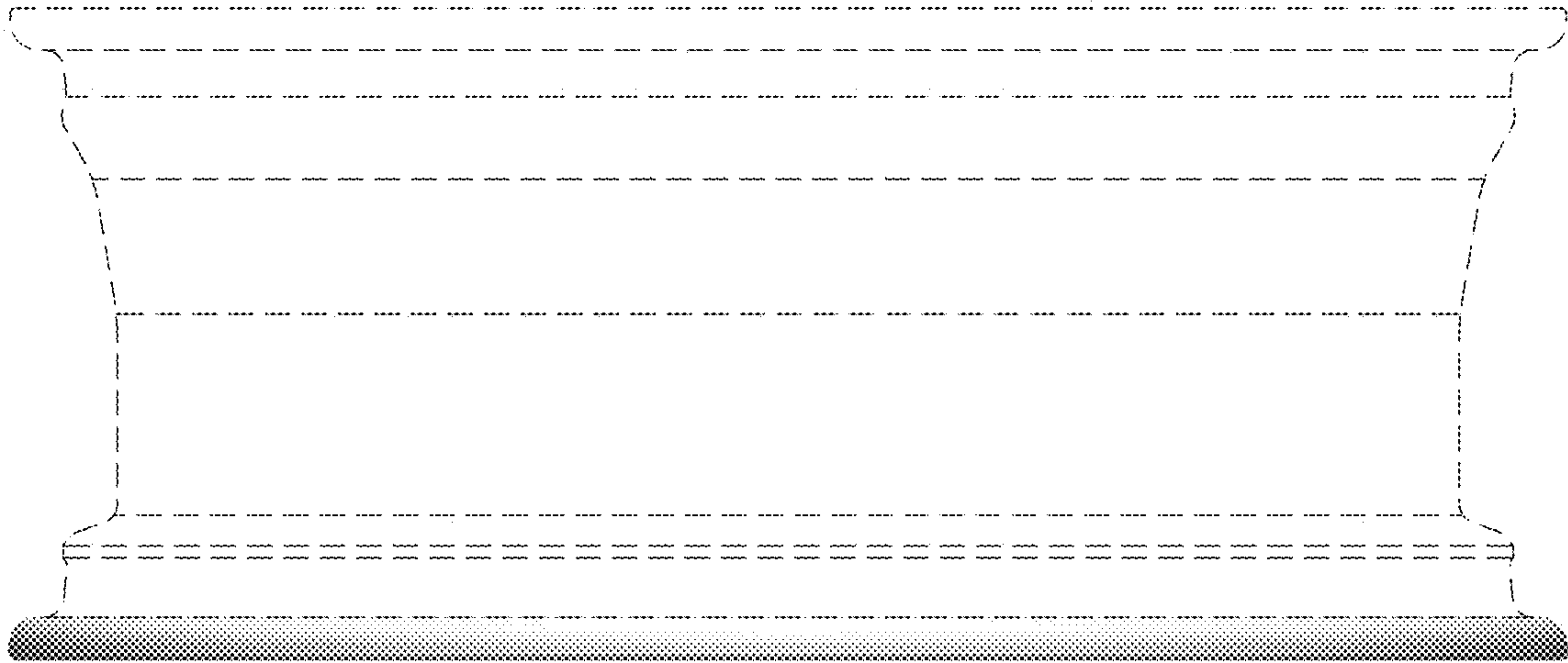


FIG. 7

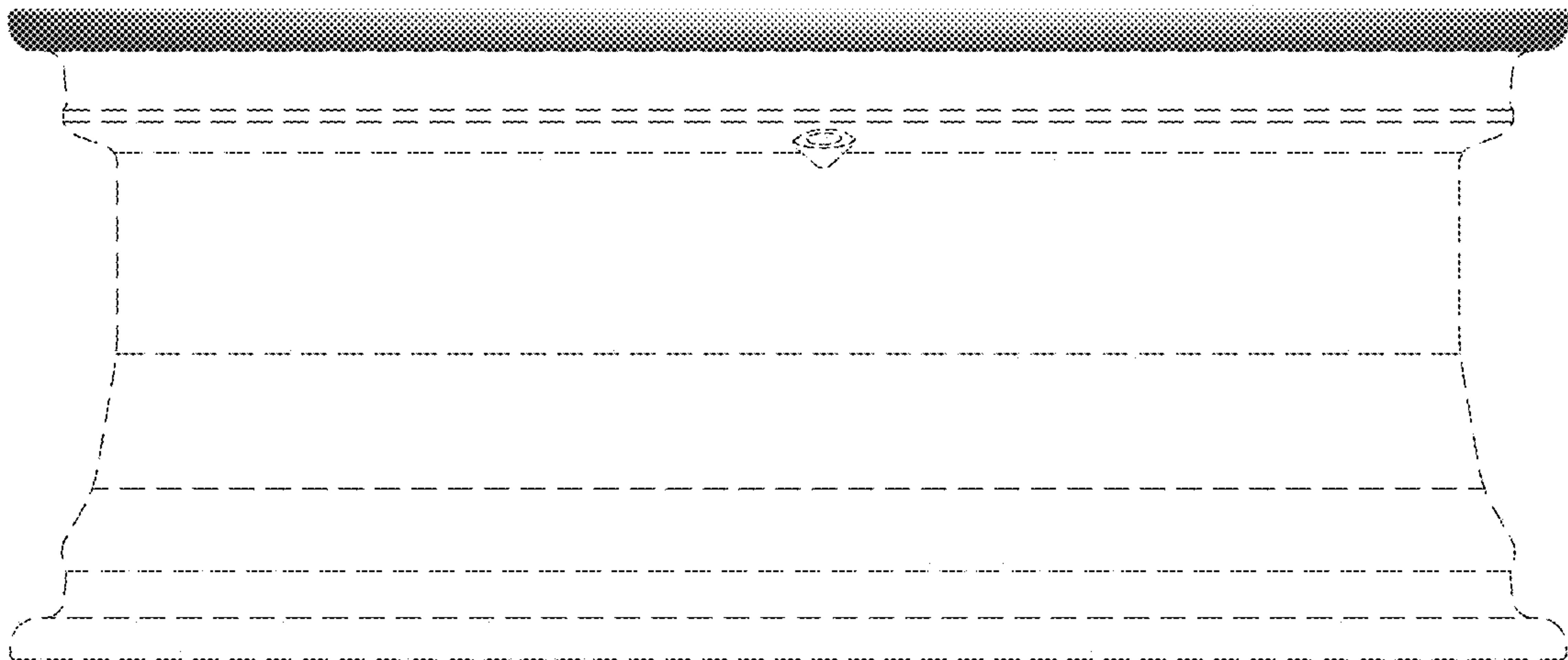


FIG. 8