



US00D918107S

(12) **United States Design Patent**  
**Zhang**

(10) **Patent No.:** **US D918,107 S**

(45) **Date of Patent:** **\*\* May 4, 2021**

(54) **RADIATOR TYPE CAR CALIPER COVER**

(71) Applicant: **Jianping Zhang**, Shanghai (CN)

(72) Inventor: **Jianping Zhang**, Shanghai (CN)

(\*\*) Term: **15 Years**

(21) Appl. No.: **29/705,268**

(22) Filed: **Sep. 11, 2019**

(30) **Foreign Application Priority Data**

Aug. 1, 2019 (CN) ..... 201930416681.3

(51) **LOC (13) Cl.** ..... **12-16**

(52) **U.S. Cl.**  
USPC ..... **D12/180**

(58) **Field of Classification Search**  
USPC ..... D12/14, 174, 180  
CPC ..... F16D 55/22; F16D 55/225; F16D 55/226;  
F16D 55/227; F16D 65/0006; F16D  
65/0031; F16D 65/0087  
See application file for complete search history.

(56) **References Cited**

**U.S. PATENT DOCUMENTS**

- D439,872 S \* 4/2001 Terasawa ..... D12/180
- D476,275 S \* 6/2003 Winkler ..... F16D 55/22  
D12/180
- D507,772 S \* 7/2005 Kozlowski ..... D12/180
- D515,484 S \* 2/2006 Winkler ..... D12/180

- D603,767 S \* 11/2009 Crippa ..... D12/180
- D630,141 S \* 1/2011 Chen ..... D12/180
- D739,319 S \* 9/2015 Montgomery ..... D12/180
- 10,228,033 B2 \* 3/2019 Barland ..... F16D 65/0087
- D890,047 S \* 7/2020 Bock ..... D12/180
- 2009/0321198 A1 \* 12/2009 Barland ..... F16D 65/0031  
188/264 A
- 2018/0231076 A1 \* 8/2018 Choi ..... F16D 65/0006

\* cited by examiner

*Primary Examiner* — Susan E Krakower

*Assistant Examiner* — Jerry Shiu-an-Hua Hsu

(74) *Attorney, Agent, or Firm* — Bayramoglu Law Offices LLC

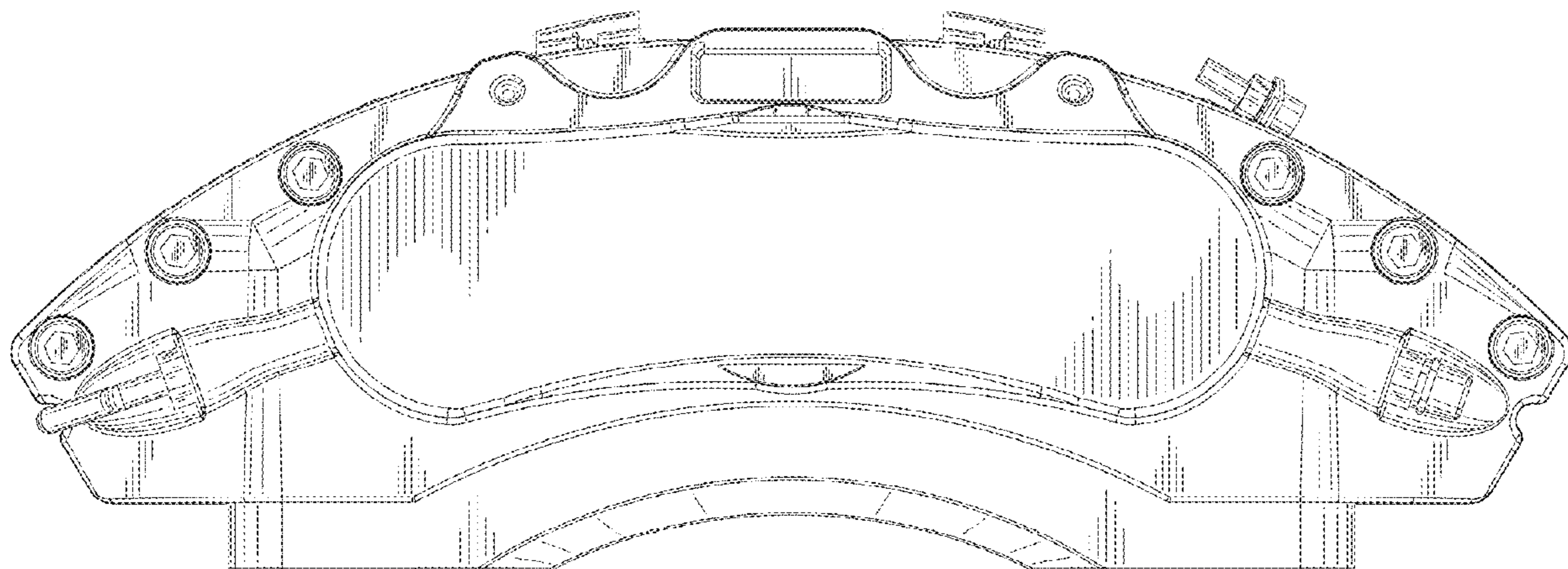
(57) **CLAIM**

The ornamental design for a radiator type car caliper cover, as shown and described.

**DESCRIPTION**

FIG. 1 is a front elevational view of a radiator type car caliper cover showing my new design;  
 FIG. 2 is a rear elevational view thereof;  
 FIG. 3 is a left side elevational view thereof;  
 FIG. 4 is a right side elevational view thereof;  
 FIG. 5 is a top plan view thereof;  
 FIG. 6 is a bottom plan view thereof;  
 FIG. 7 is a front perspective view thereof; and,  
 FIG. 8 is a rear perspective view thereof.  
 The broken lines illustrate portions of the radiator type car caliper cover that form no part of the claimed design.

**1 Claim, 8 Drawing Sheets**



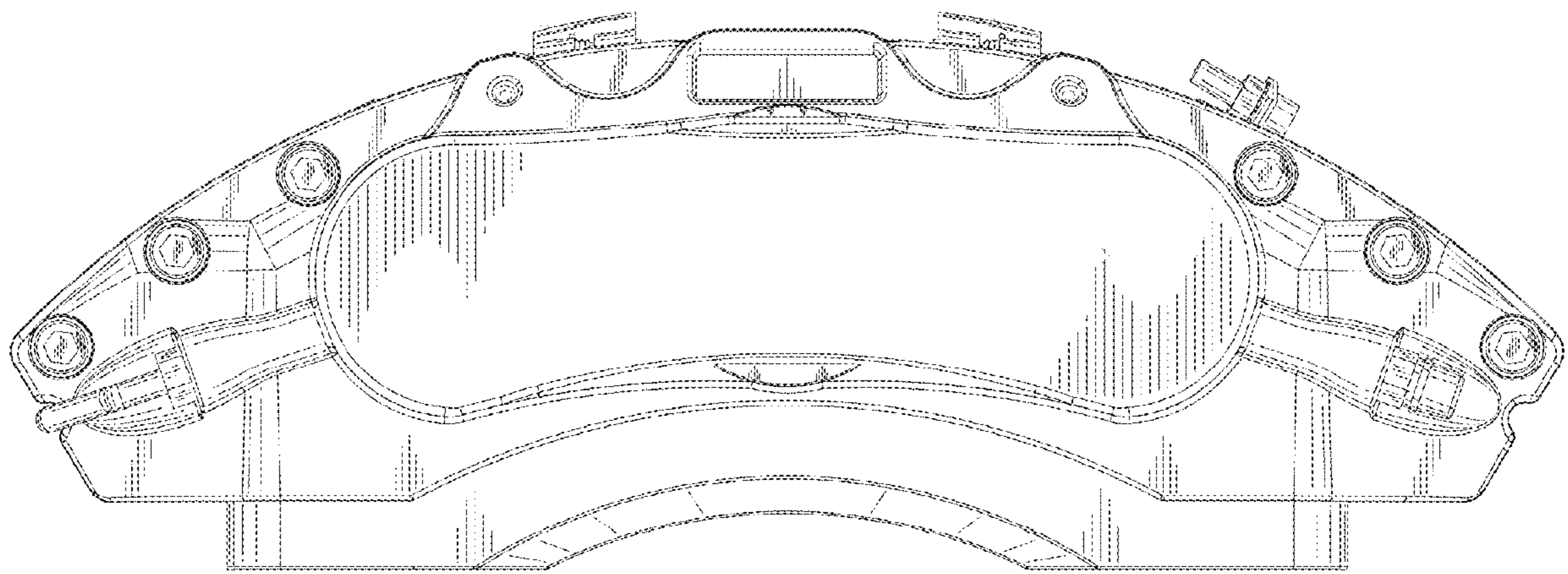


FIG. 1

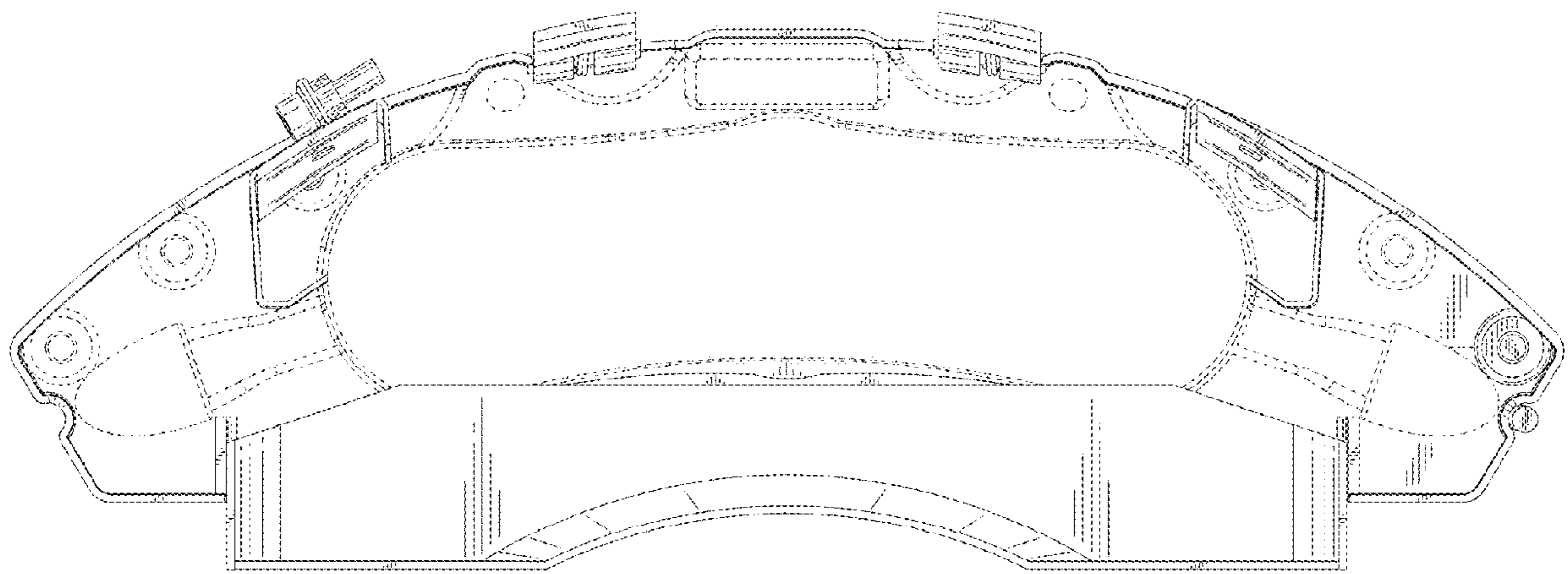


FIG. 2

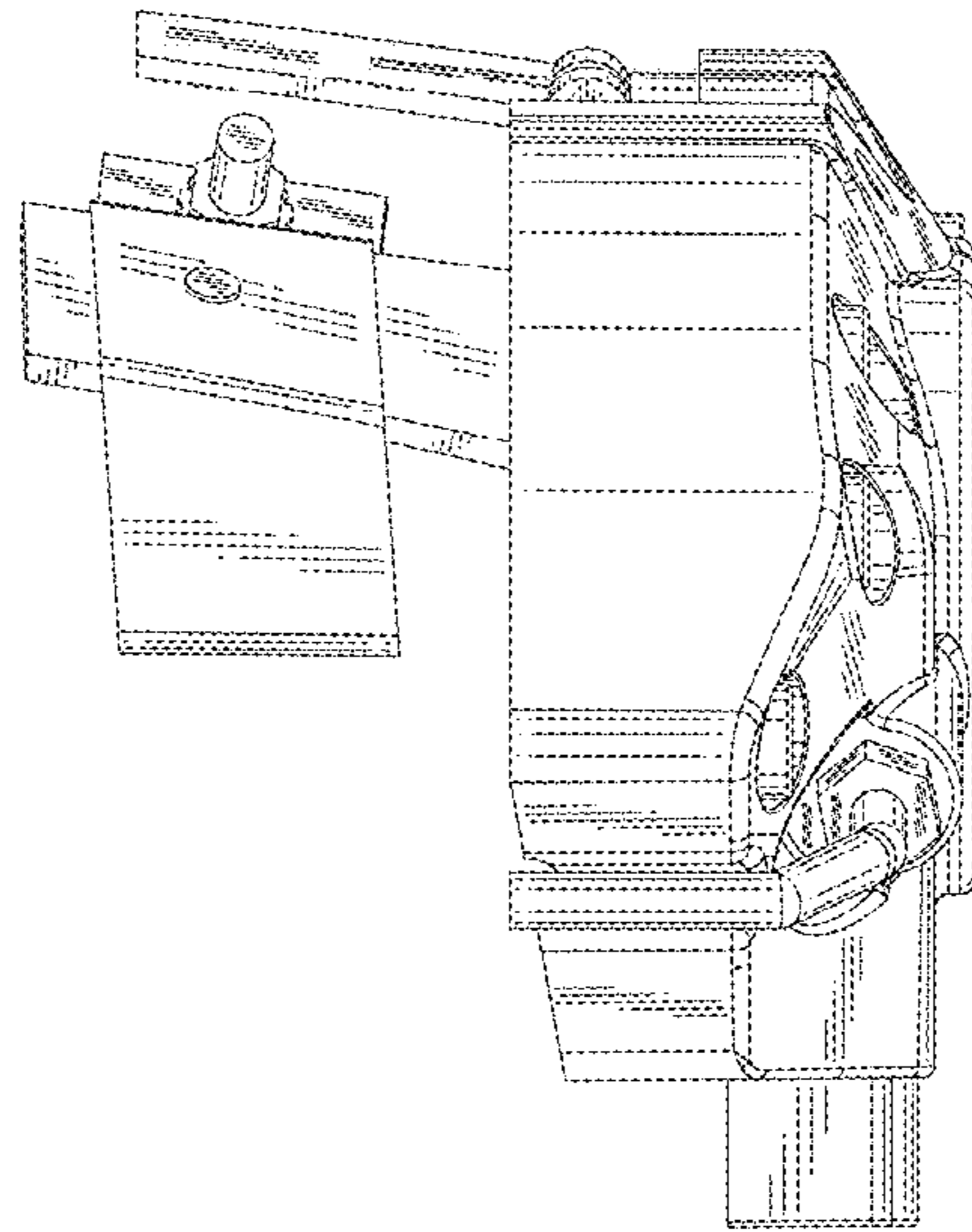


FIG. 3

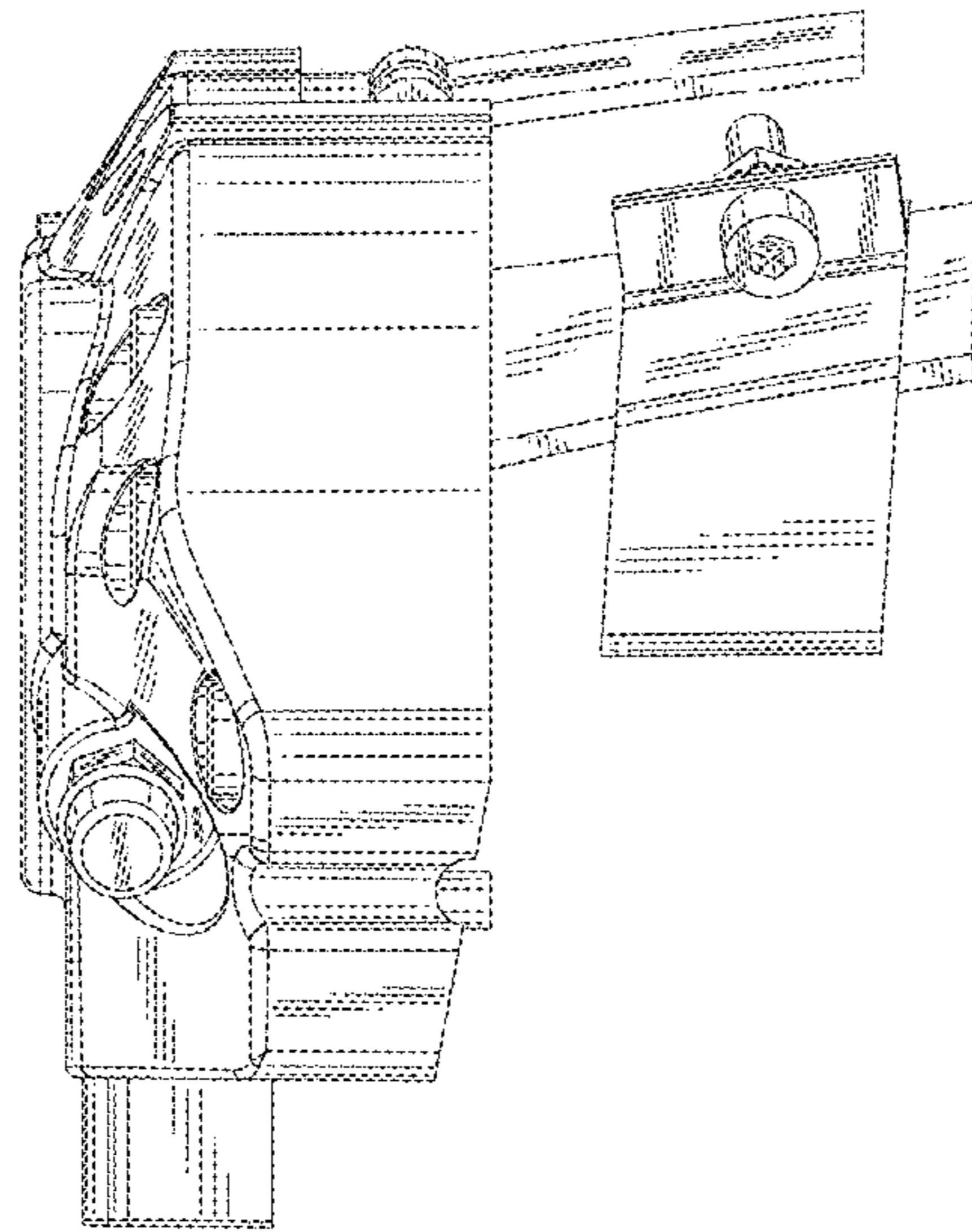


FIG. 4

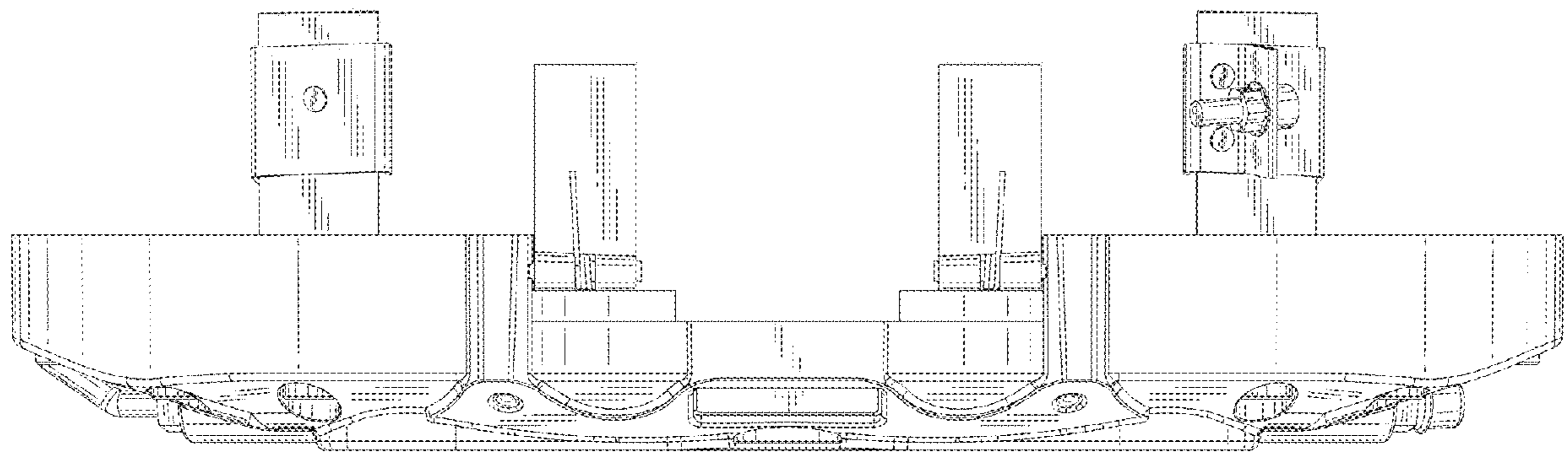


FIG. 5

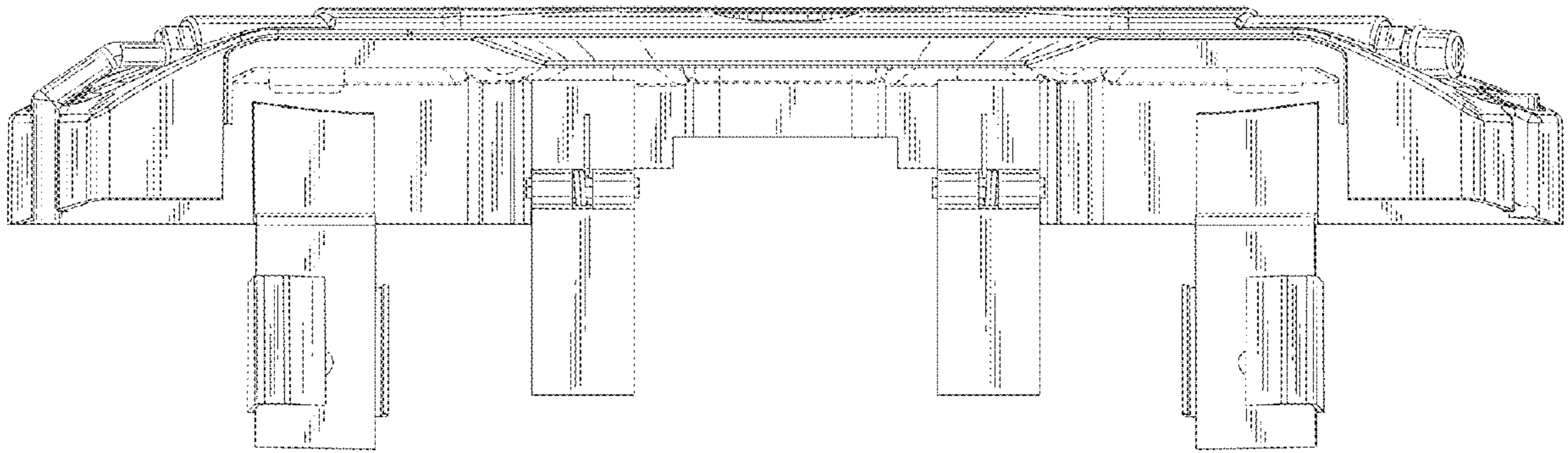


FIG. 6

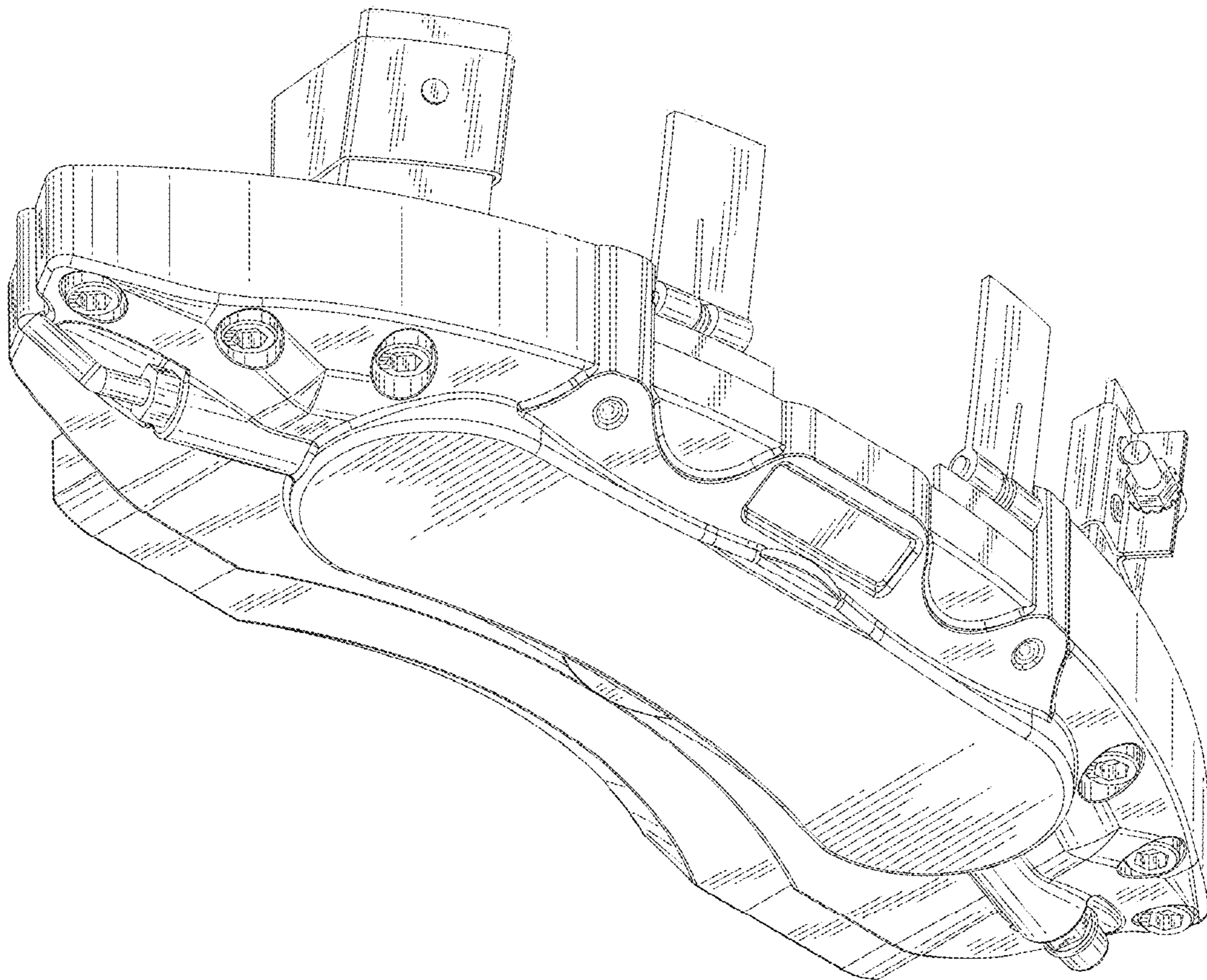


FIG. 7



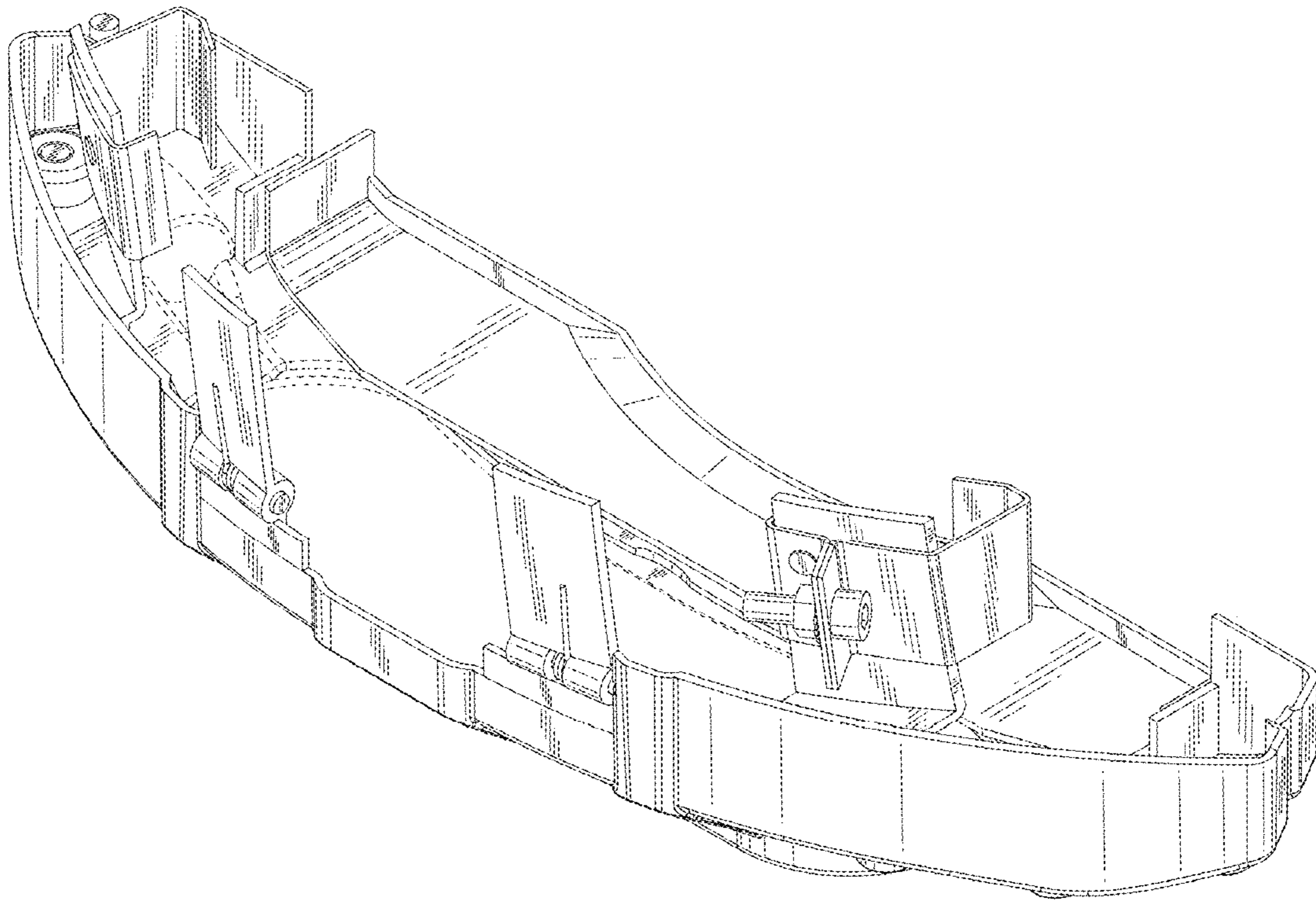


FIG. 8