

US00D918104S

(12) **United States Design Patent** (10) **Patent No.:** **US D918,104 S**
Ito (45) **Date of Patent:** **** May 4, 2021**

(54) **FRONT BUMPER FOR AN AUTOMOBILE**

D881,069 S * 4/2020 Kubo D12/91
D886,692 S * 6/2020 Yokoi D12/169
D889,316 S * 7/2020 Kido D12/91

(71) Applicant: **Kazuhiko Ito**, Toyota (JP)

(72) Inventor: **Kazuhiko Ito**, Toyota (JP)

(73) Assignee: **TOYOTA JIDOSHA KABUSHIKI KAISHA**

(**) Term: **15 Years**

(21) Appl. No.: **29/714,093**

(22) Filed: **Nov. 21, 2019**

(30) **Foreign Application Priority Data**

May 23, 2019 (JP) 2019-011169

(51) **LOC (13) Cl.** **12-16**

(52) **U.S. Cl.**
USPC **D12/169**

(58) **Field of Classification Search**
USPC D12/169, 163, 196, 86, 90-92;
296/180.1, 180.2; 293/102, 113, 115,
293/117, 120
CPC B60R 2019/25; B62D 25/084
See application file for complete search history.

(56) **References Cited**

U.S. PATENT DOCUMENTS

D835,014 S * 12/2018 Ea D12/169
D873,717 S * 1/2020 Sperling D12/92

OTHER PUBLICATIONS

Toyota, Toyota Aqua (2017), <<https://toyota.jp/aqua/>>, available as early as Mar. 12, 2019.
netcarshow.com, Ford Focus RS (2016), <https://www.netcarshow.com/ford/2016-focus_rs/>, available as early as Mar. 12, 2019.

* cited by examiner

Primary Examiner — Melody N Brown

(74) *Attorney, Agent, or Firm* — Saidman DesignLaw Group, LLC

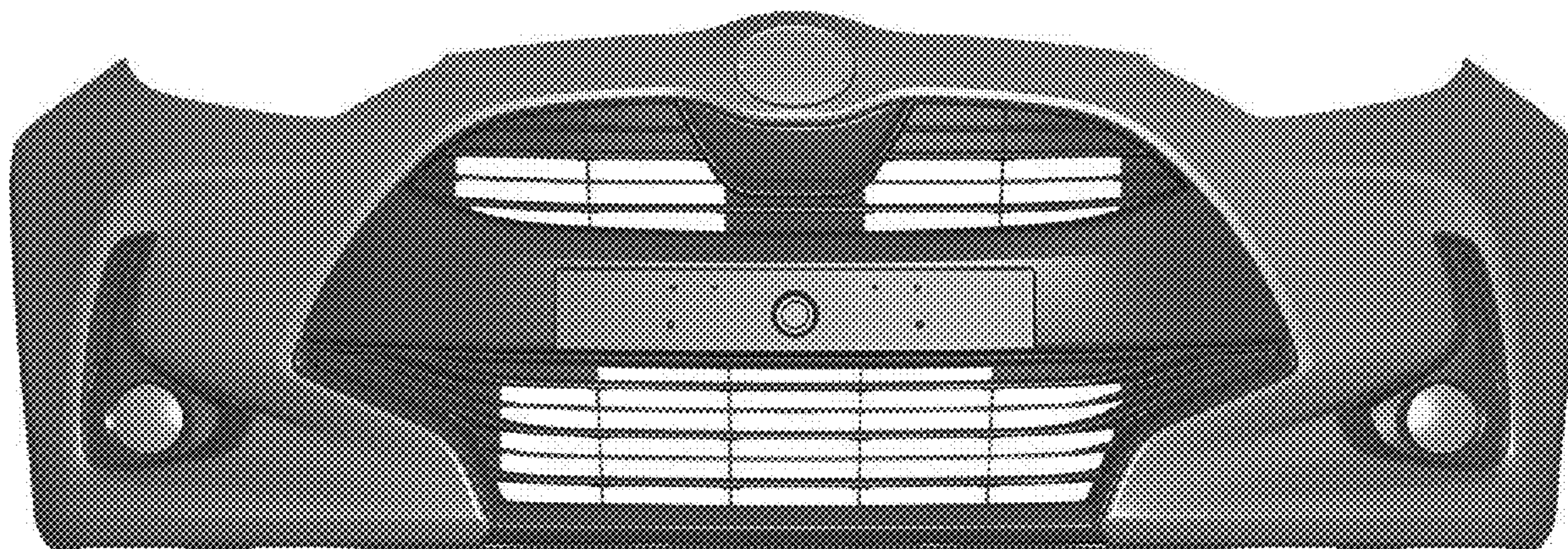
(57) **CLAIM**

The ornamental design for a front bumper for an automobile, as shown and described.

DESCRIPTION

FIG. 1 is a perspective view of a front bumper for an automobile showing my new design;
FIG. 2 is a front view thereof;
FIG. 3 is a rear view thereof;
FIG. 4 is a right side view thereof;
FIG. 5 is a left side view thereof;
FIG. 6 is a top view thereof; and,
FIG. 7 is a bottom view thereof.

1 Claim, 7 Drawing Sheets



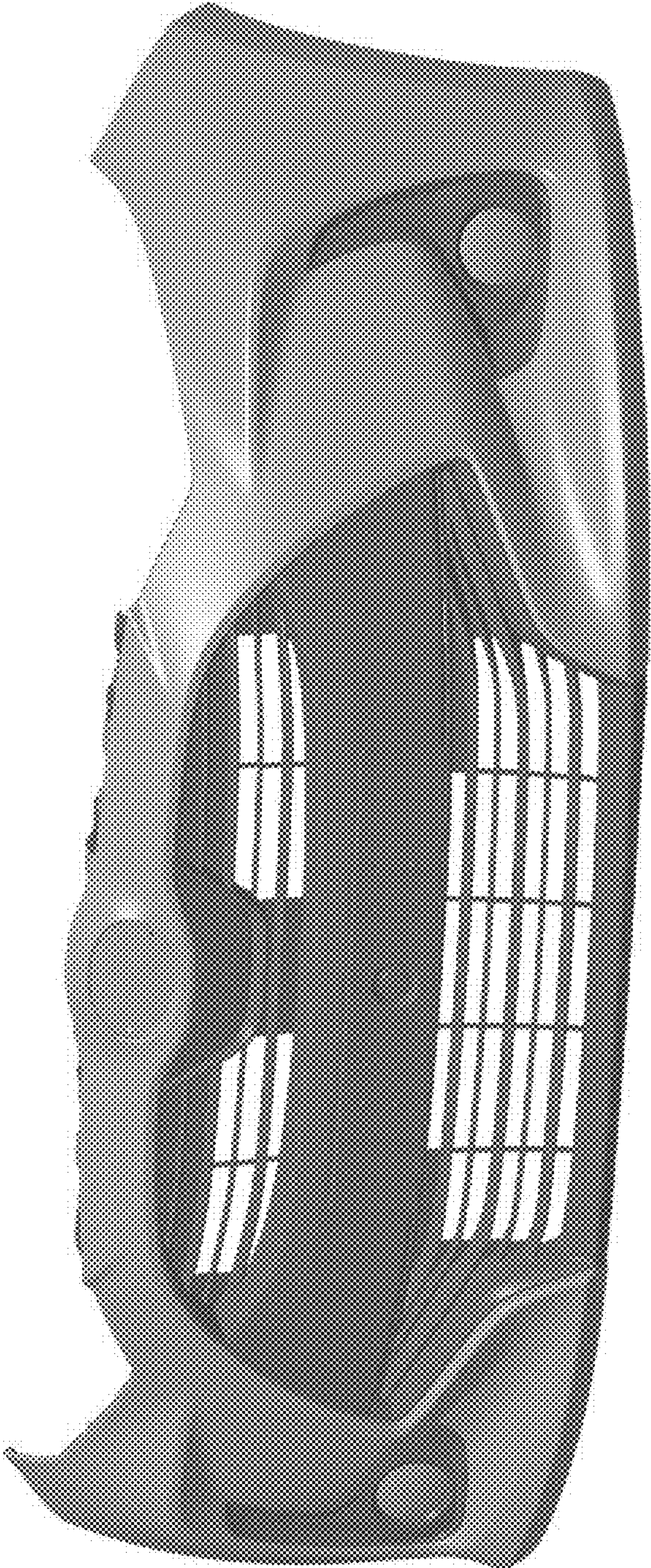


FIG. 1

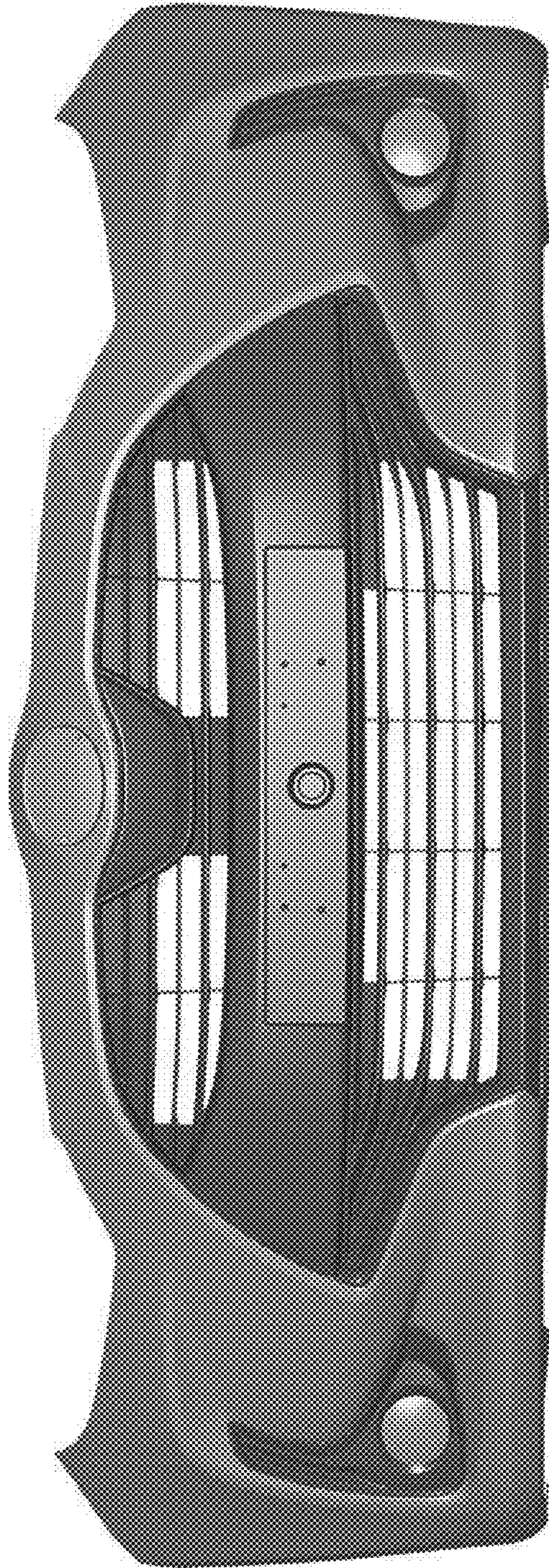


FIG. 2

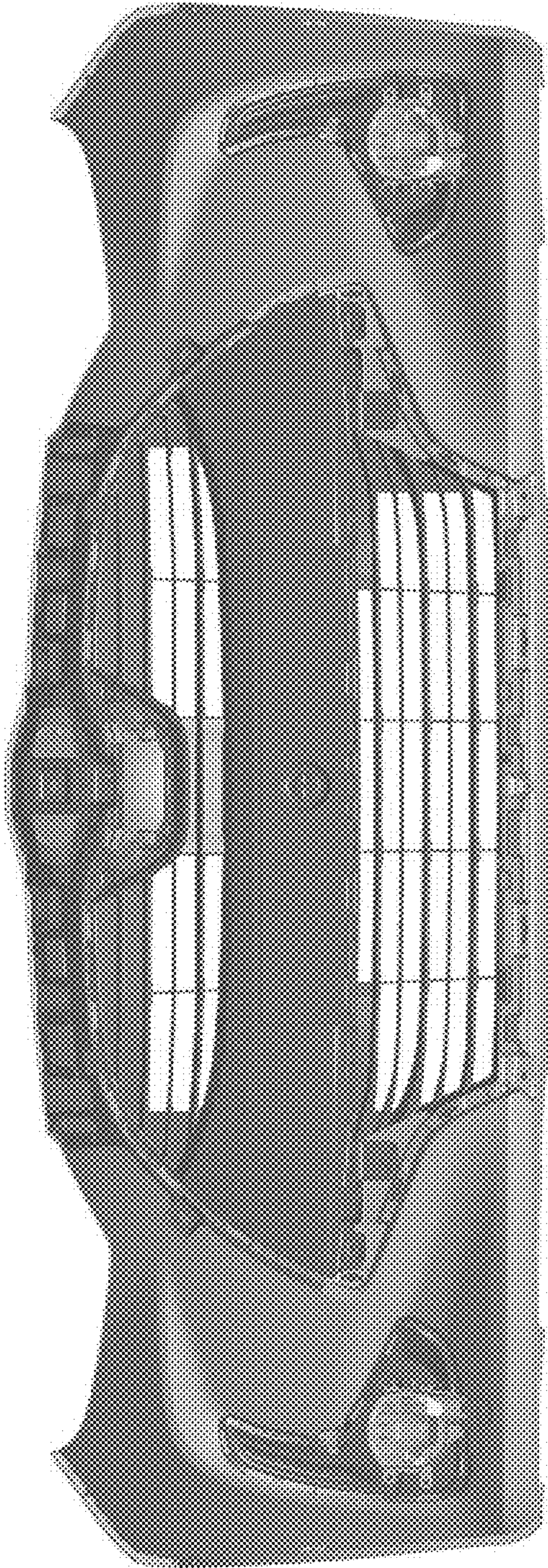


FIG. 3

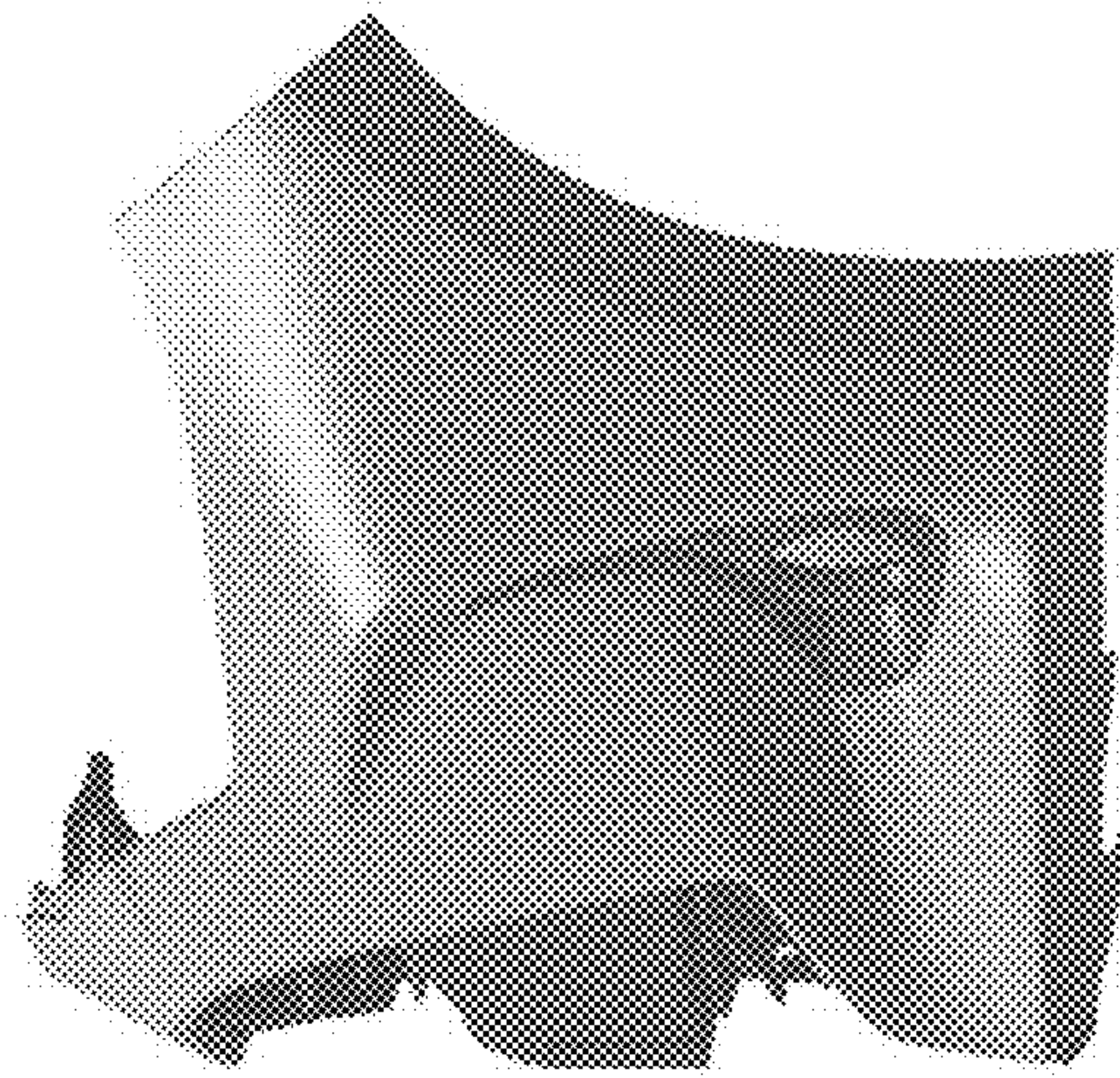


FIG. 4

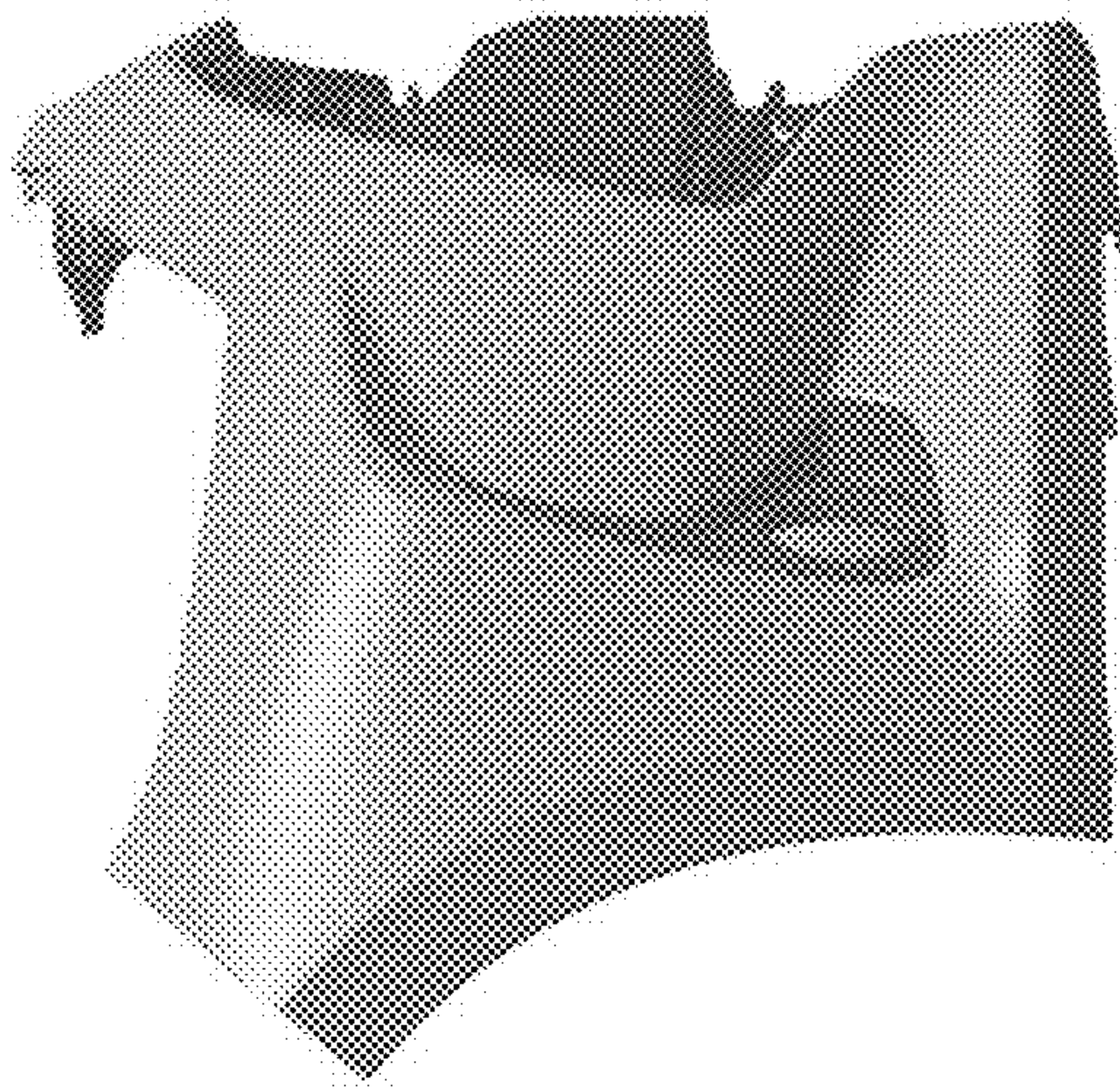


FIG. 5

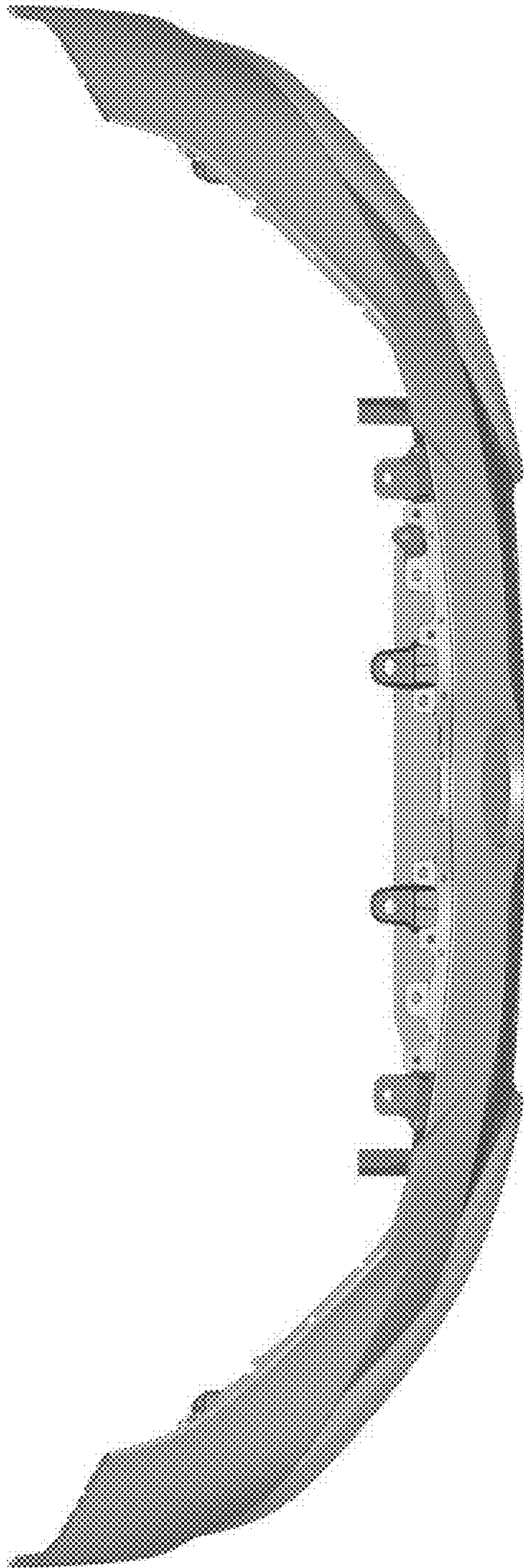


FIG. 6

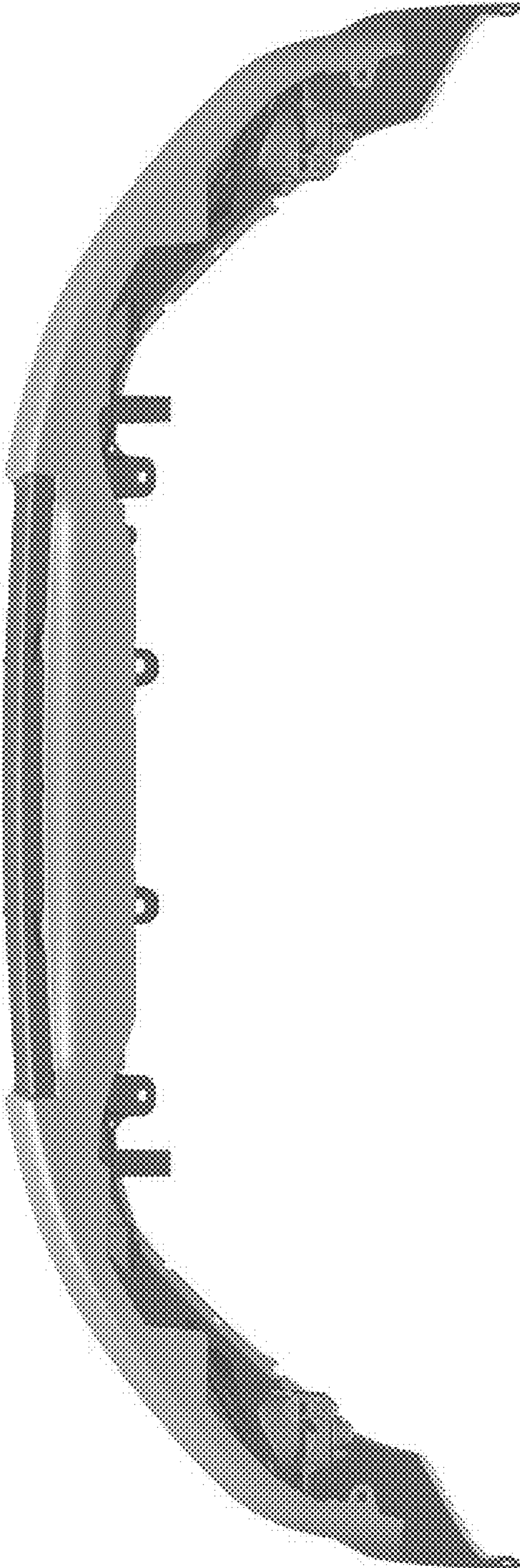


FIG. 7