



US00D918103S

(12) **United States Design Patent** (10) **Patent No.:** **US D918,103 S**
Harriton et al. (45) **Date of Patent:** **** May 4, 2021**

(54) **REAR BUMPER**

(71) Applicant: **StreetCar ORV LLC**, Wixom, MI (US)

(72) Inventors: **David Harriton**, Missoula, MT (US);
Mark Stouffer, Oakland Township, MI (US)

(73) Assignee: **StreetCar ORV LLC**, Wixom, MI (US)

(**) Term: **15 Years**

(21) Appl. No.: **29/711,914**

(22) Filed: **Nov. 4, 2019**

Related U.S. Application Data

(63) Continuation-in-part of application No. 29/624,424, filed on Oct. 31, 2017, now Pat. No. Des. 865,586.

(51) **LOC (13) Cl.** **12-16**

(52) **U.S. Cl.**
USPC **D12/169**

(58) **Field of Classification Search**
USPC D12/86, 163, 164, 167, 169–172, 216;
D21/424, 427, 433, 483, 533, 548
CPC B60R 19/02; B60R 19/04; B60R 19/18;
B60R 19/24; B60R 19/26; B60R 19/52;
B62D 25/08; B60K 11/08
See application file for complete search history.

(56) **References Cited**

U.S. PATENT DOCUMENTS

D375,067 S * 10/1996 Bronstein D12/169
D491,496 S * 6/2004 Metros D12/169
D512,351 S * 12/2005 Hattori D12/169
D744,386 S * 12/2015 Harriton D12/169

D761,166 S * 7/2016 Hare D12/169
D786,745 S * 5/2017 Zeng D12/167
D830,919 S * 10/2018 Zeng D12/167
D860,079 S * 9/2019 Sullivan D12/169
D865,585 S * 11/2019 Harriton D12/169
D865,586 S * 11/2019 Harriton D12/169
D902,797 S * 11/2020 Harriton D12/169

OTHER PUBLICATIONS

Aev conversions ram hd rear bumper <https://www.aev-conversions.com/product/ram-hd-rear-bumper/> Jul. 2020 (Year: 2020).*

(Continued)

Primary Examiner — Leanne Was-Englehart

(74) *Attorney, Agent, or Firm* — Quinn IP Law

(57) **CLAIM**

We claim the ornamental design for a rear bumper, as shown and described.

DESCRIPTION

FIG. 1 is a left, top, and rear perspective view of a rear bumper,

FIG. 2 is a bottom plan view thereof,

FIG. 3 is a rear elevation view thereof,

FIG. 4 is a right, bottom, and rear perspective view thereof,

FIG. 5 is a right side elevation view thereof,

FIG. 6 is a right, top, and front perspective view thereof,

FIG. 7 is a left side elevation view thereof,

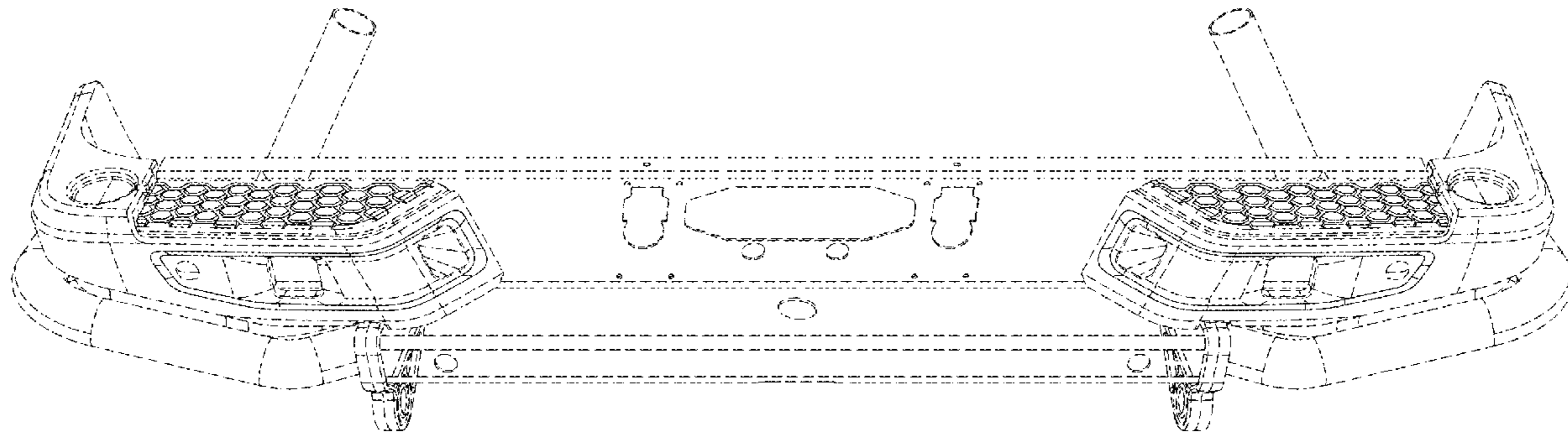
FIG. 8 is a top and rear perspective view thereof,

FIG. 9 is a top and rear-perspective view thereof; and,

FIG. 10 is a top plan view thereof.

All broken lines illustrate portions of the rear bumper to which the design is applied that form no part of the claimed design. Specifically, the dot-dash broken lines depict the limits of the claim and form no part of the claimed design.

1 Claim, 10 Drawing Sheets



(56)

References Cited

OTHER PUBLICATIONS

AEV Prospector XL First Drive Review <http://www.trucktrend.com/truck-reviews/2020-aev-prospector-xl-first-drive/> Apr. 14, 2020 (Year: 2020).*

SEMA 2019 10 New Overland & Off Road Products Exploring Elements Nov. 2019 <https://www.exploringelements.com/sema-2019-10-new-overland-off-road-products/> Dec. 21, 2019 (Year: 2019).*

<https://forum.aev-conversions.com/forum/american-expedition-vehicles/aev-news-events-and-forum-rules/246547-the-sema-show-2017> Oct. 31, 2017 (Year: 2017).

<https://ok4wd.com/aev-rear-bumper-for-jeep-wrangler-jk> Mar. 22, 2015 (Year: 2015).

* cited by examiner

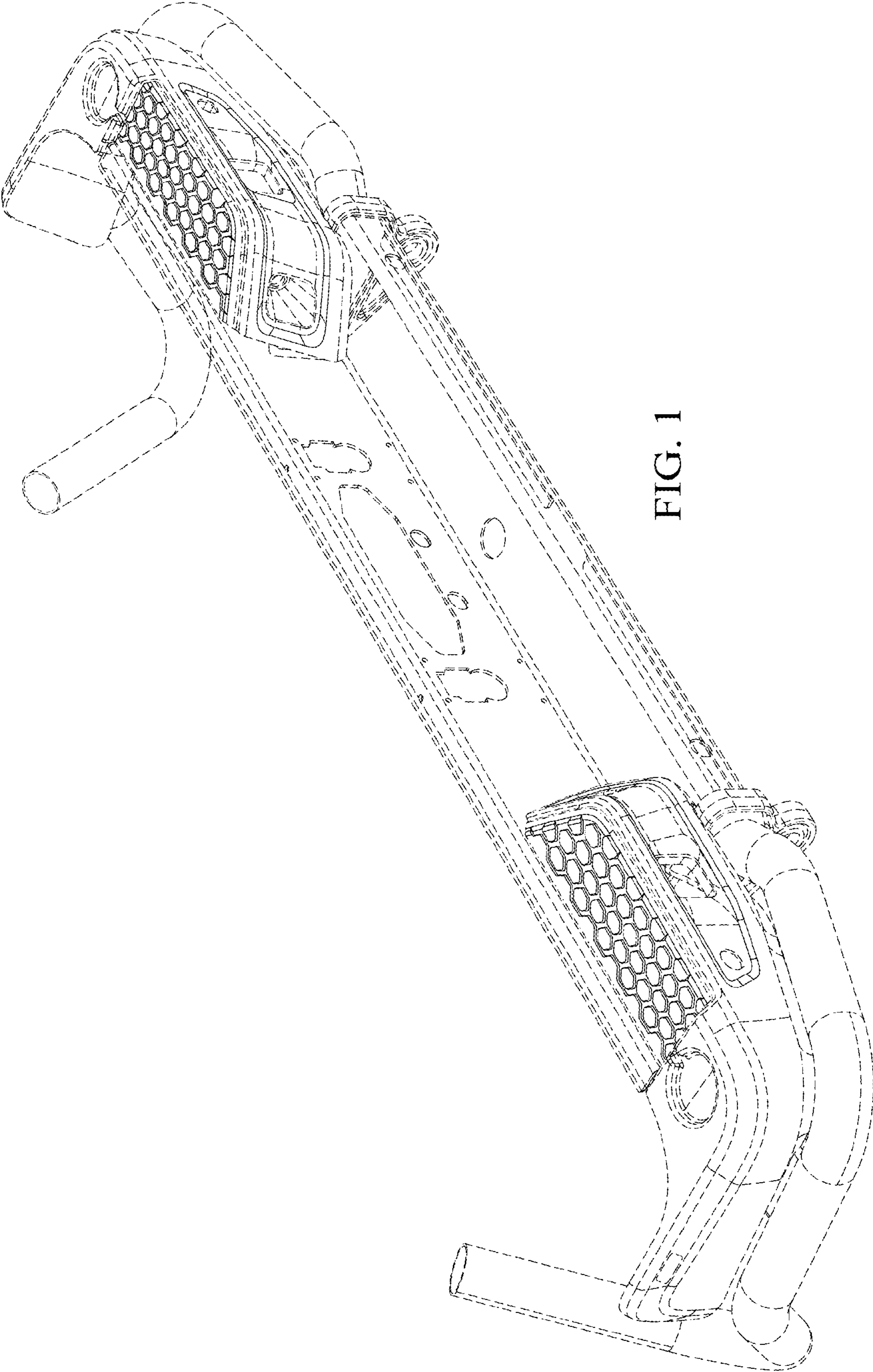


FIG. 1

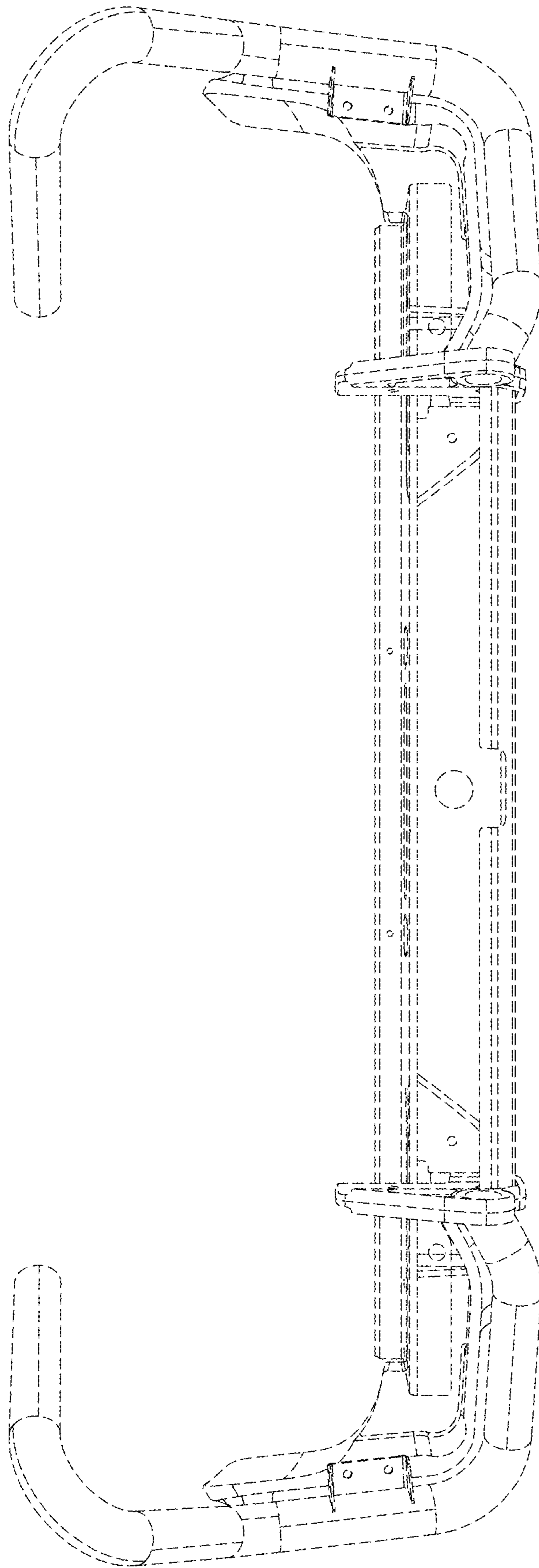


FIG. 2

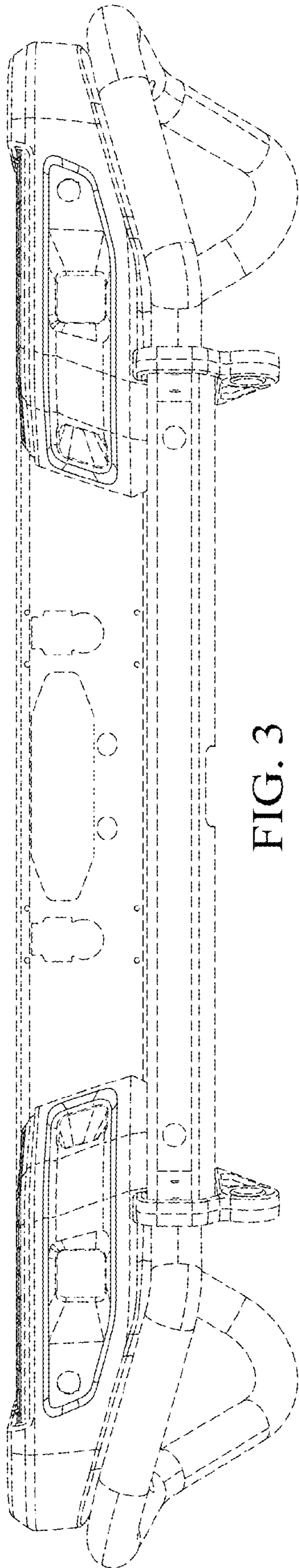


FIG. 3

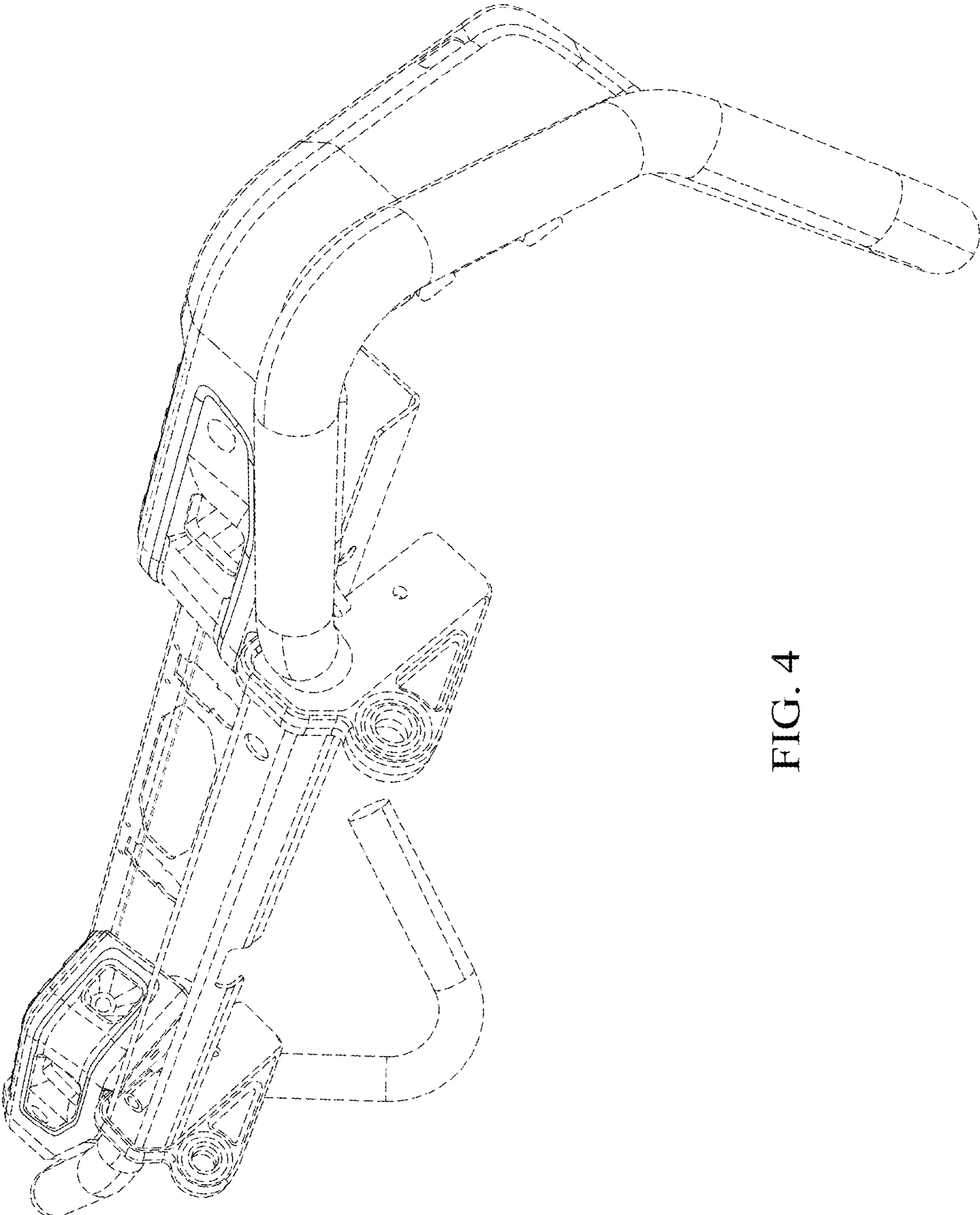


FIG. 4

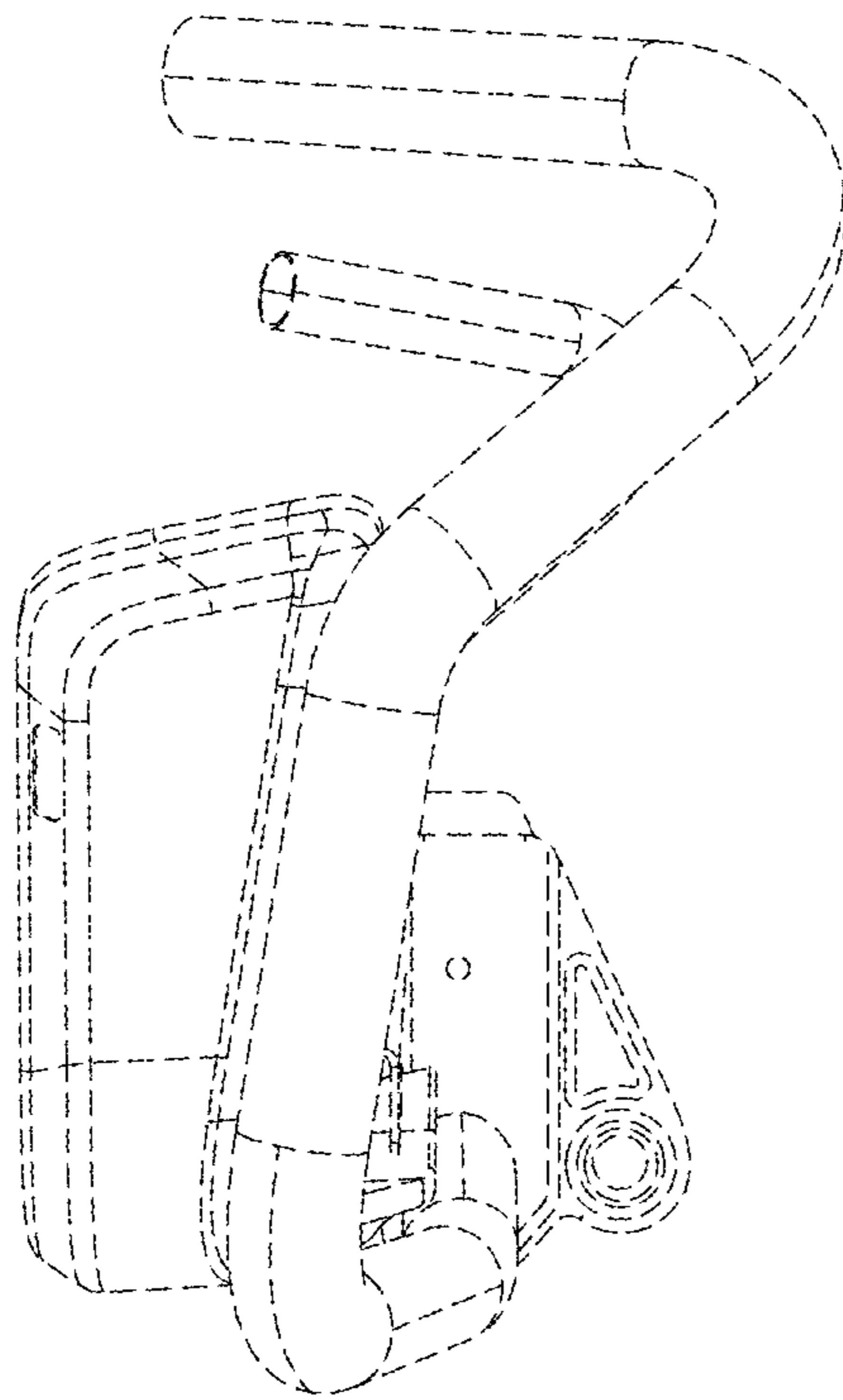


FIG. 5

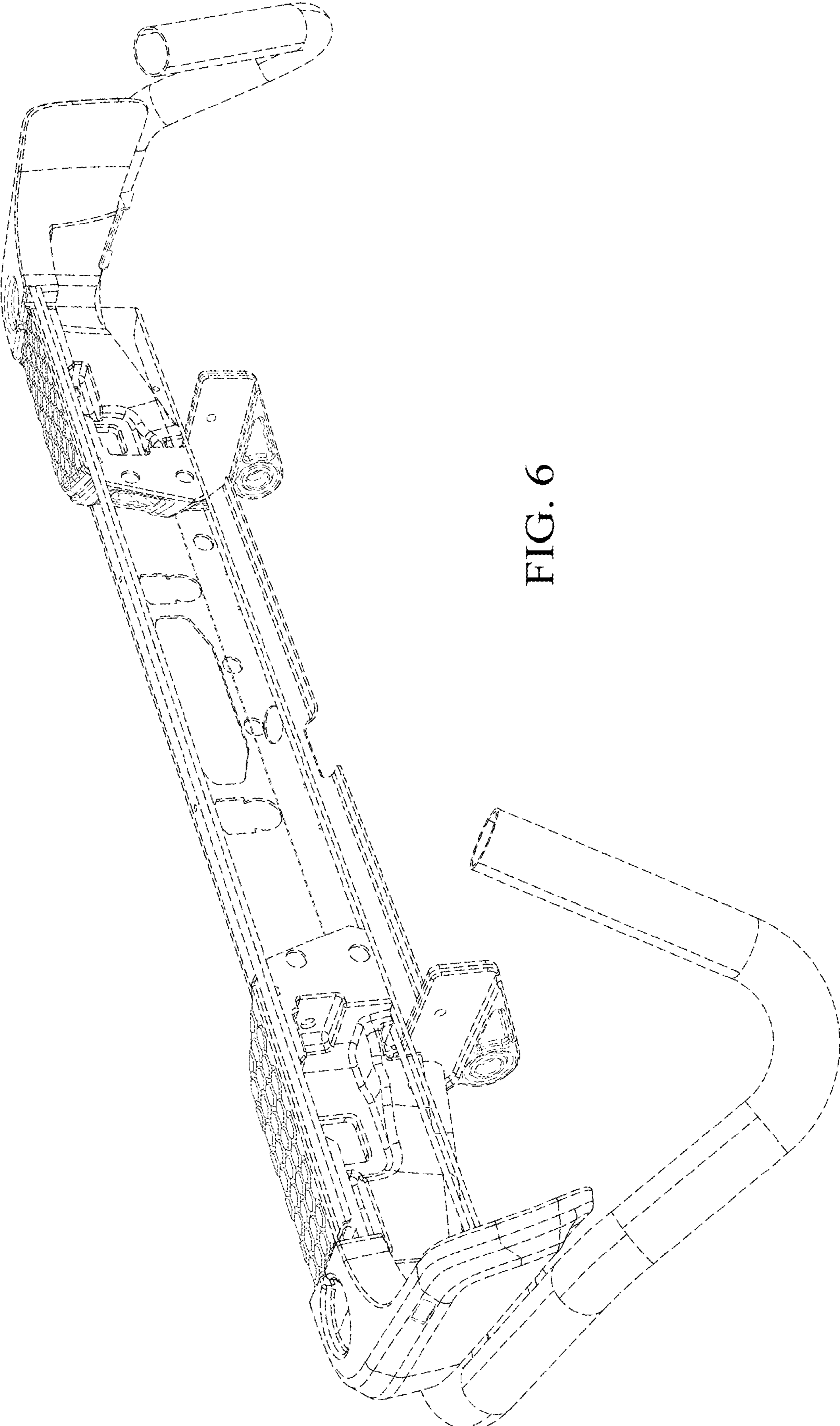


FIG. 6

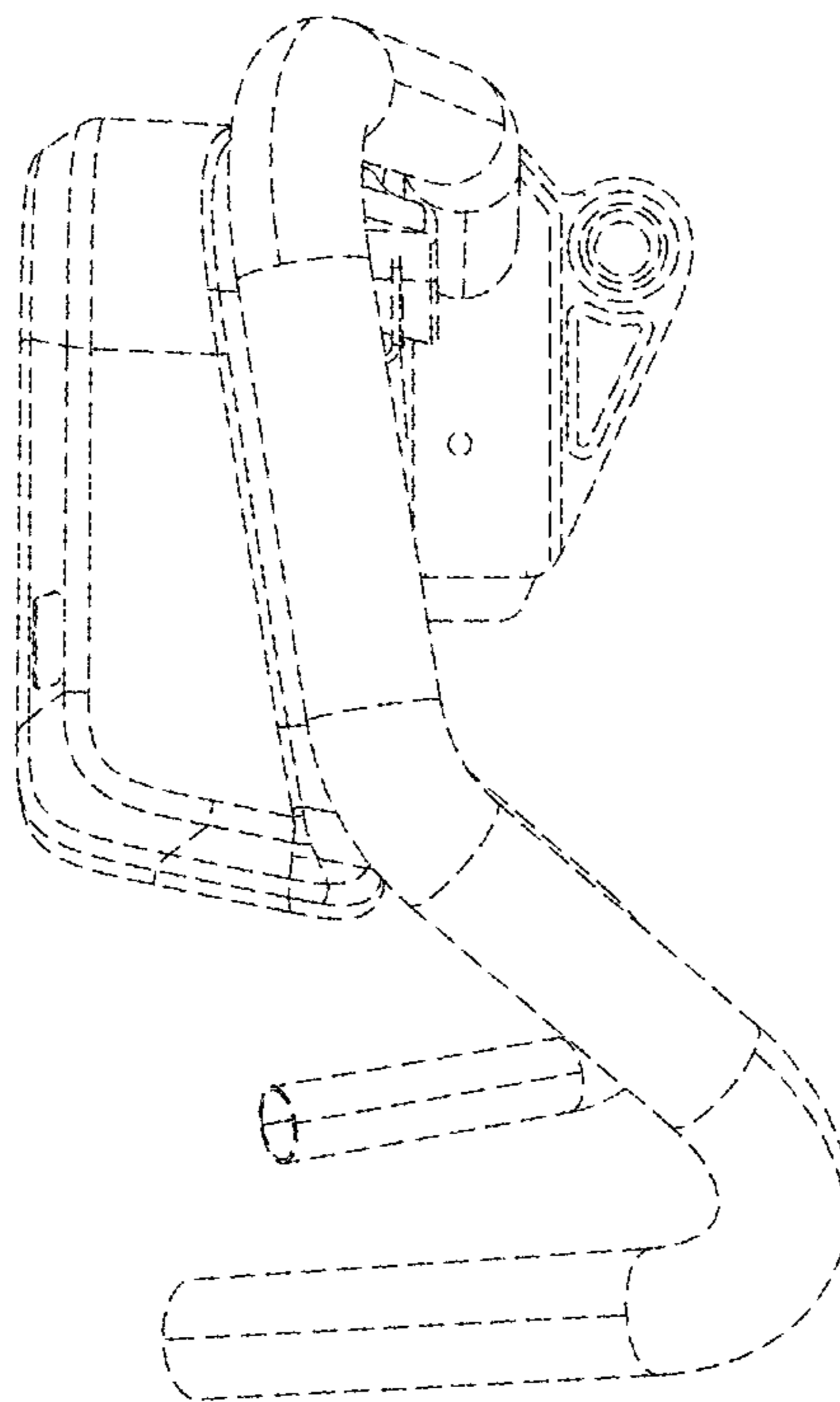


FIG. 7

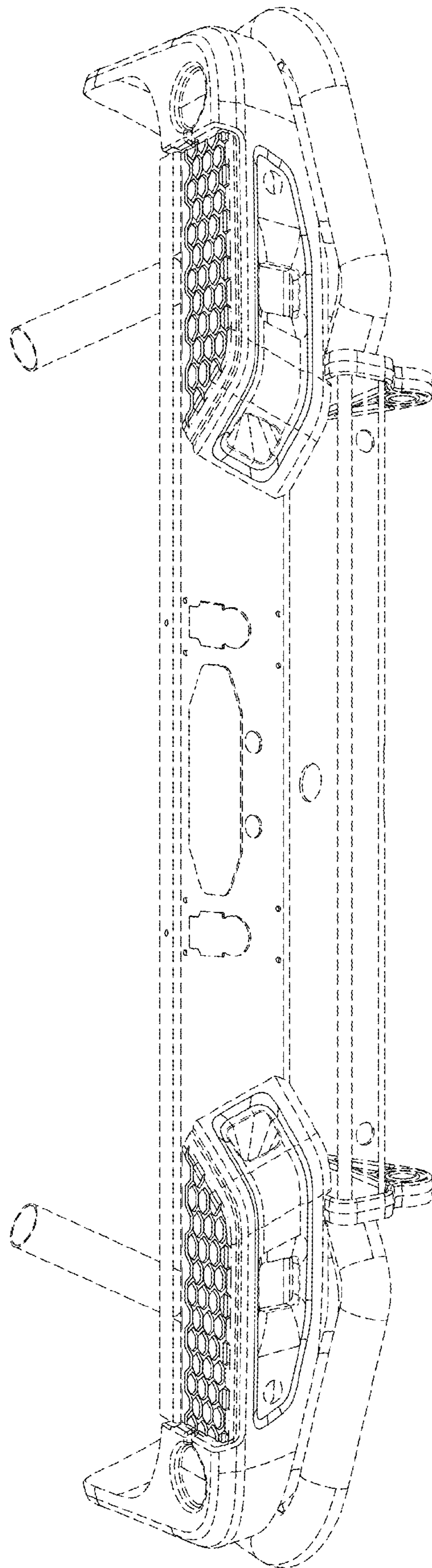


FIG. 8

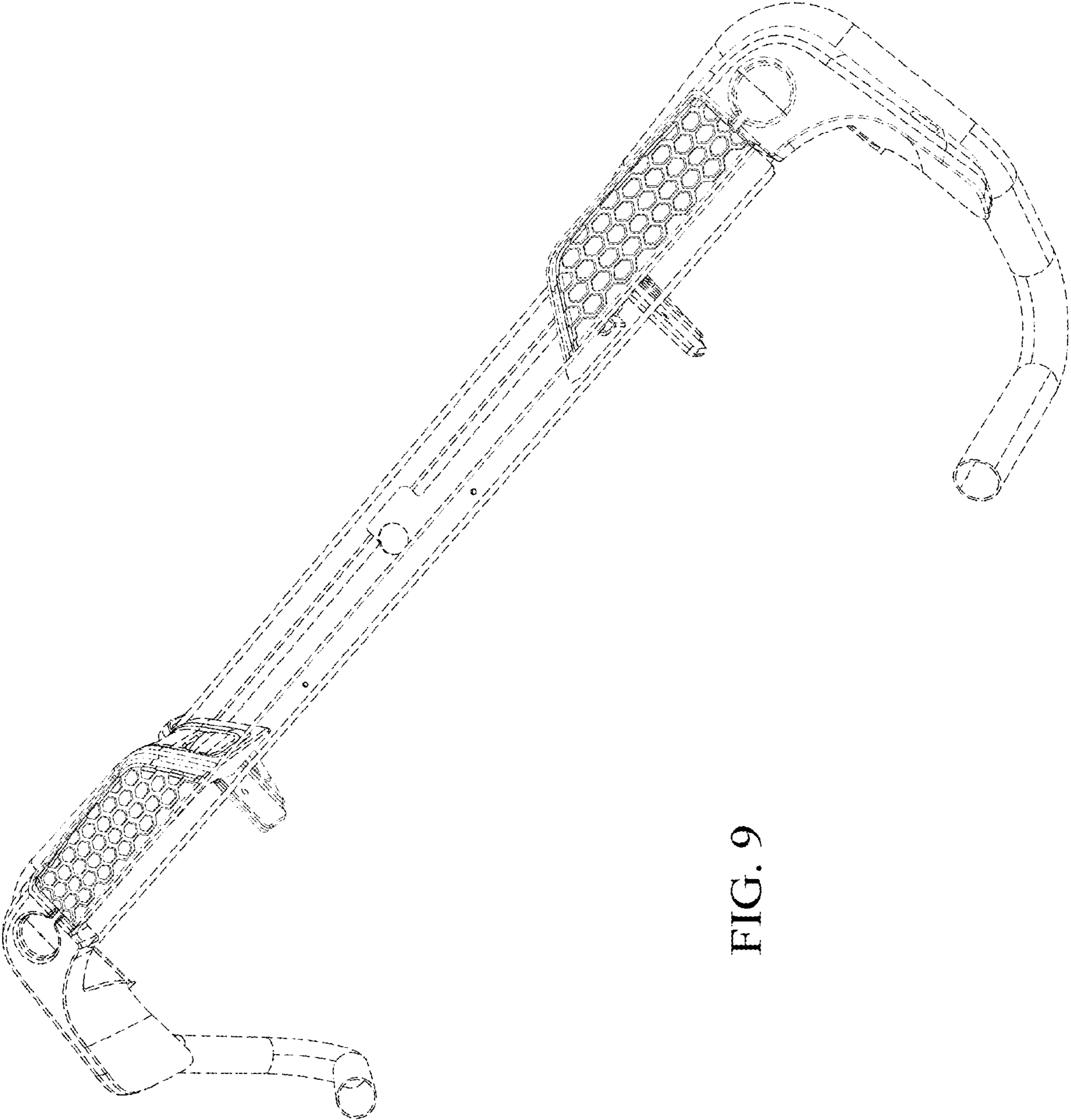


FIG. 9

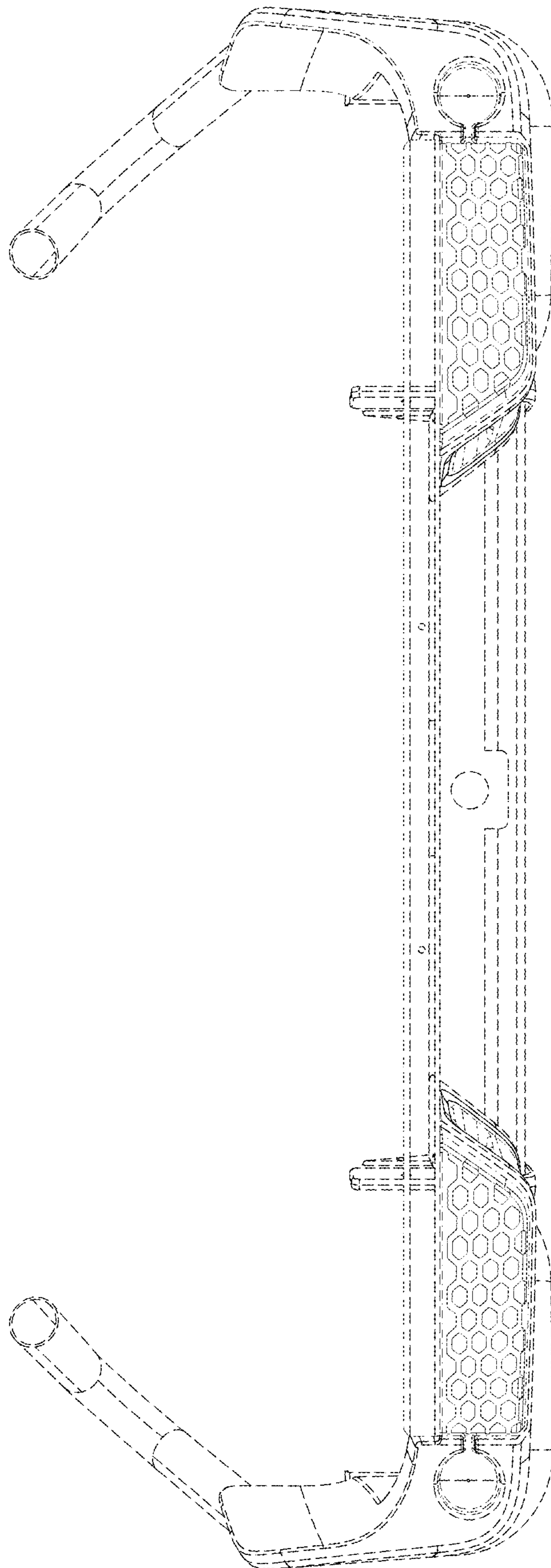


FIG. 10