



US00D918099S

(12) **United States Design Patent**
Frank et al.

(10) **Patent No.:** **US D918,099 S**

(45) **Date of Patent:** **** May 4, 2021**

(54) **FRONT END OF MOTOR VEHICLE**

(71) Applicant: **Factory Five Licensing, Inc.**,
Wareham, MA (US)

(72) Inventors: **Phil Frank**, Wareham, MA (US);
James Schenck, Wareham, MA (US)

(73) Assignee: **Factory Five Licensing, INC.**,
Wareham, MA (US)

(**) Term: **15 Years**

(21) Appl. No.: **29/722,435**

(22) Filed: **Jan. 29, 2020**

(51) **LOC (13) Cl.** **12-16**

(52) **U.S. Cl.**
USPC **D12/164**

(58) **Field of Classification Search**
USPC D12/86, 90-92, 88, 164; D21/424, 433,
D21/434; 296/181.1-181.5, 183.1
CPC B62D 25/00; B62D 25/06; B62D 33/00;
B62D 35/00
See application file for complete search history.

(56) **References Cited**

U.S. PATENT DOCUMENTS

D790,399 S	*	6/2017	Perini	D12/88
D805,435 S	*	12/2017	Baum	D12/92
D805,437 S	*	12/2017	Varga	D12/92
D820,165 S	*	6/2018	Borkert	D12/92
D820,166 S	*	6/2018	Borkert	D12/92
D823,727 S	*	7/2018	Hauser	D12/92

D824,288 S	*	7/2018	Hauser	D12/92
D826,784 S	*	8/2018	Hauser	D12/92
D833,331 S	*	11/2018	Yamashita	D12/92
D839,786 S	*	2/2019	Baum	D12/92
D842,759 S	*	3/2019	Baum	D12/92
D861,539 S	*	10/2019	Schmolz	D12/92

* cited by examiner

Primary Examiner — Melody N Brown

(74) *Attorney, Agent, or Firm* — McInnes & McLane,
LLP

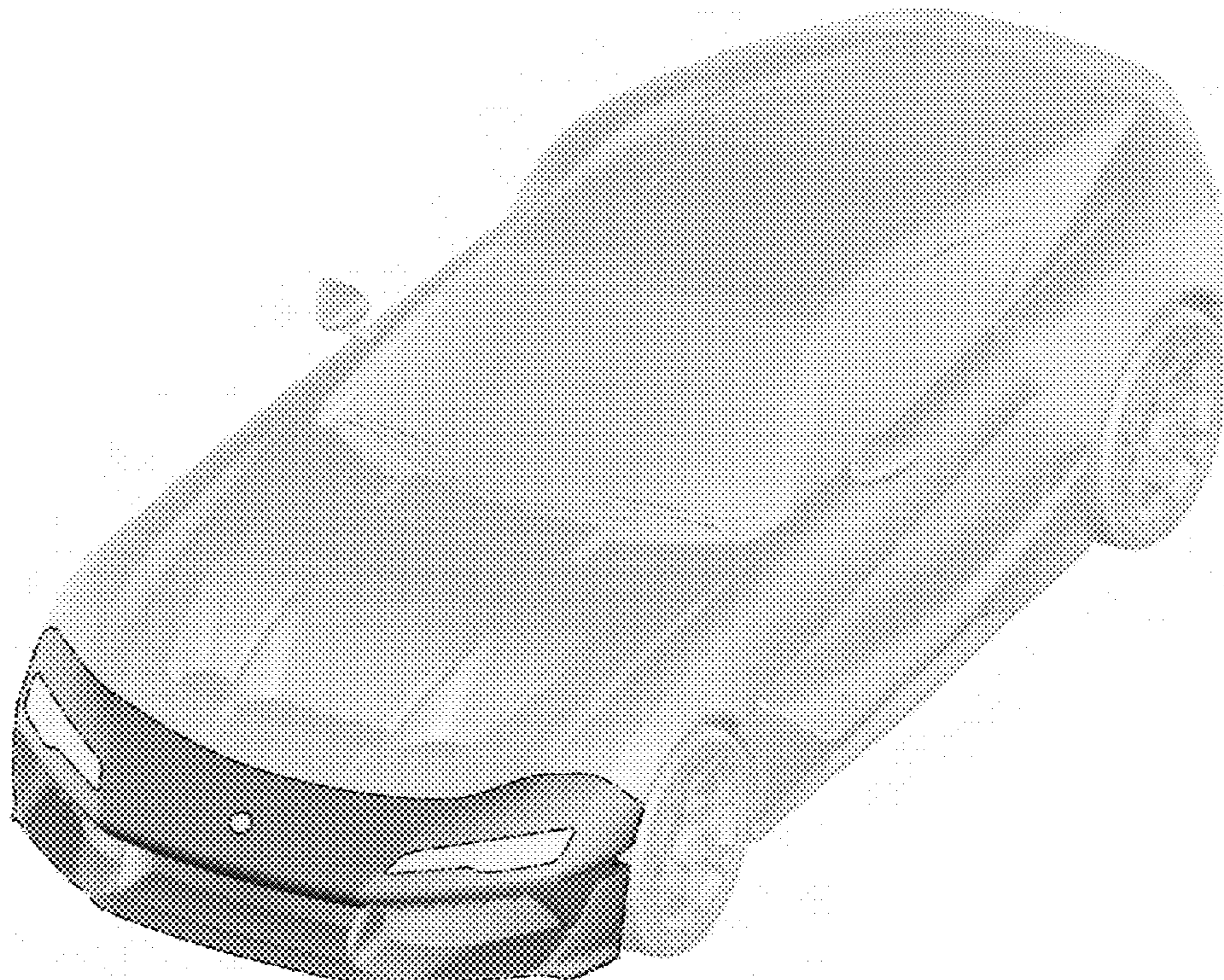
(57) **CLAIM**

The ornamental design for a front end of motor vehicle, as shown and described.

DESCRIPTION

FIG. 1 is a top, front and left side perspective view of a front end of a motor vehicle showing our new design; FIG. 2 is a top, rear and right side perspective view thereof; FIG. 3 is a front elevational view thereof; FIG. 4 is a rear elevational view thereof; FIG. 5 is a left side elevational view thereof and; FIG. 6 is a right side elevational view thereof; FIG. 7 is a top plan view thereof; and, FIG. 8 is a bottom plan view thereof. The portions of the motor vehicle shown throughout the drawing views in de-emphasized faded out half-tone form outside the broken lines and the broken lines representing the boundary and configuration of what is claimed as the design are for illustrative and environmental purposes and form no part of the claimed design.

1 Claim, 7 Drawing Sheets



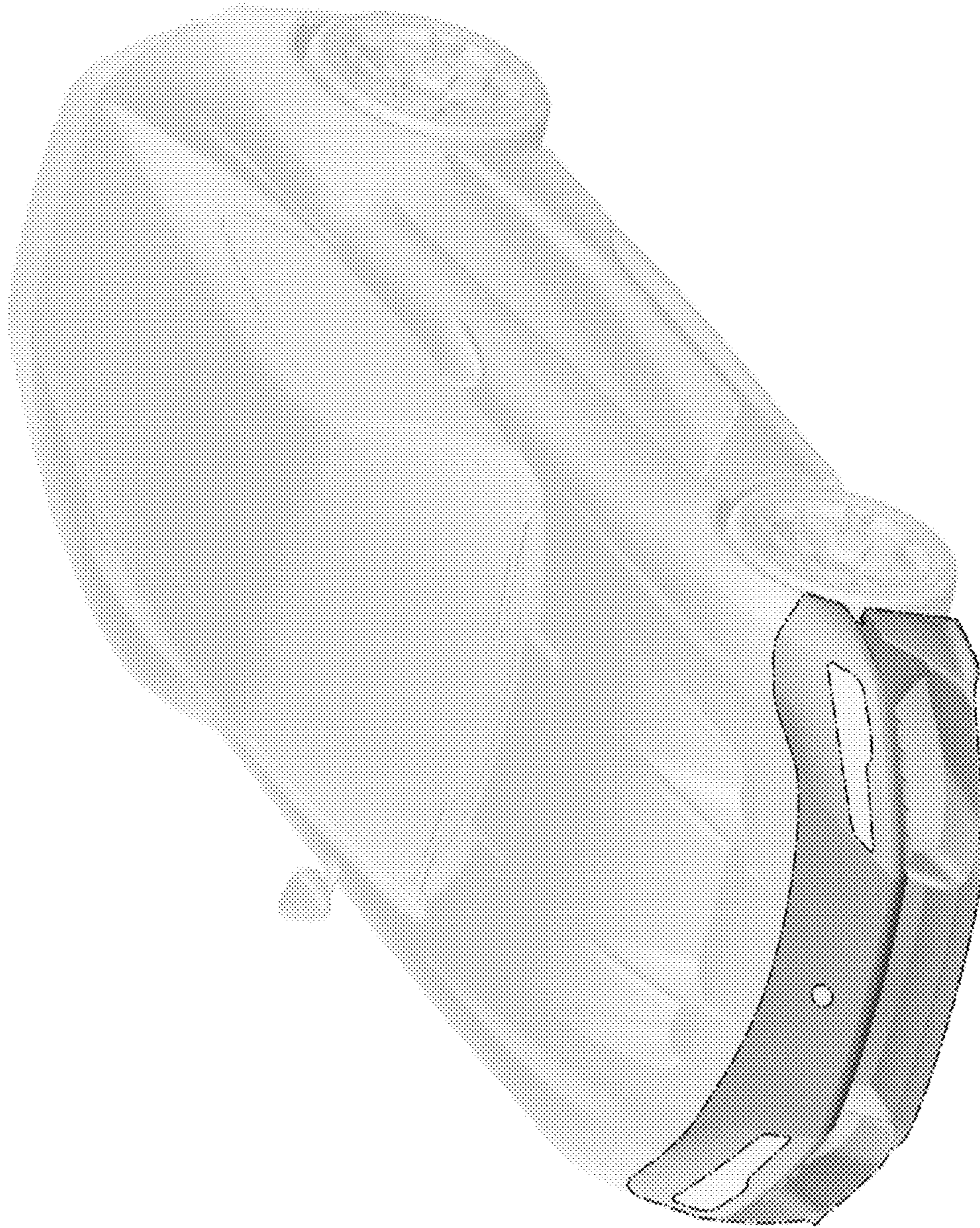


Fig. 1

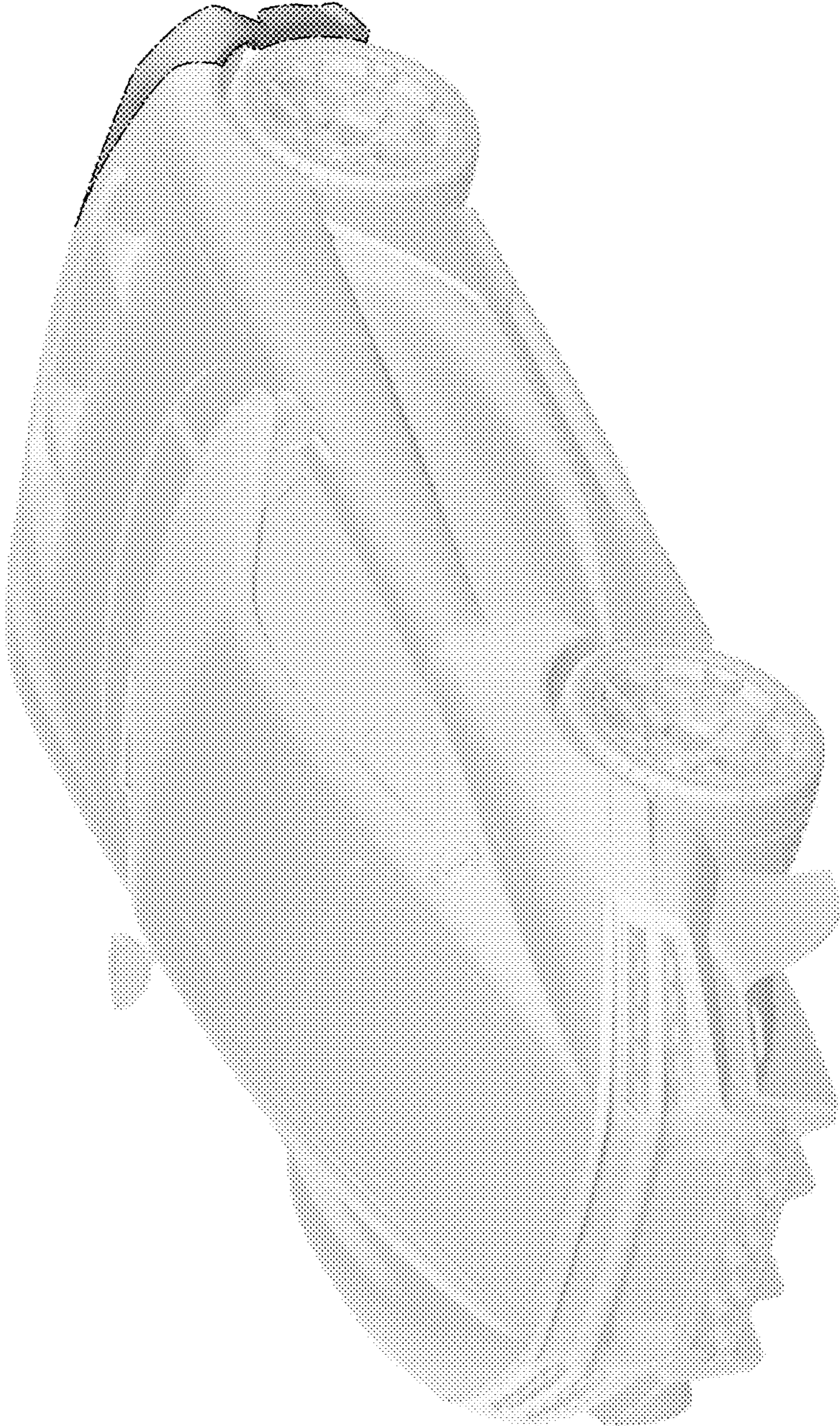


Fig. 2

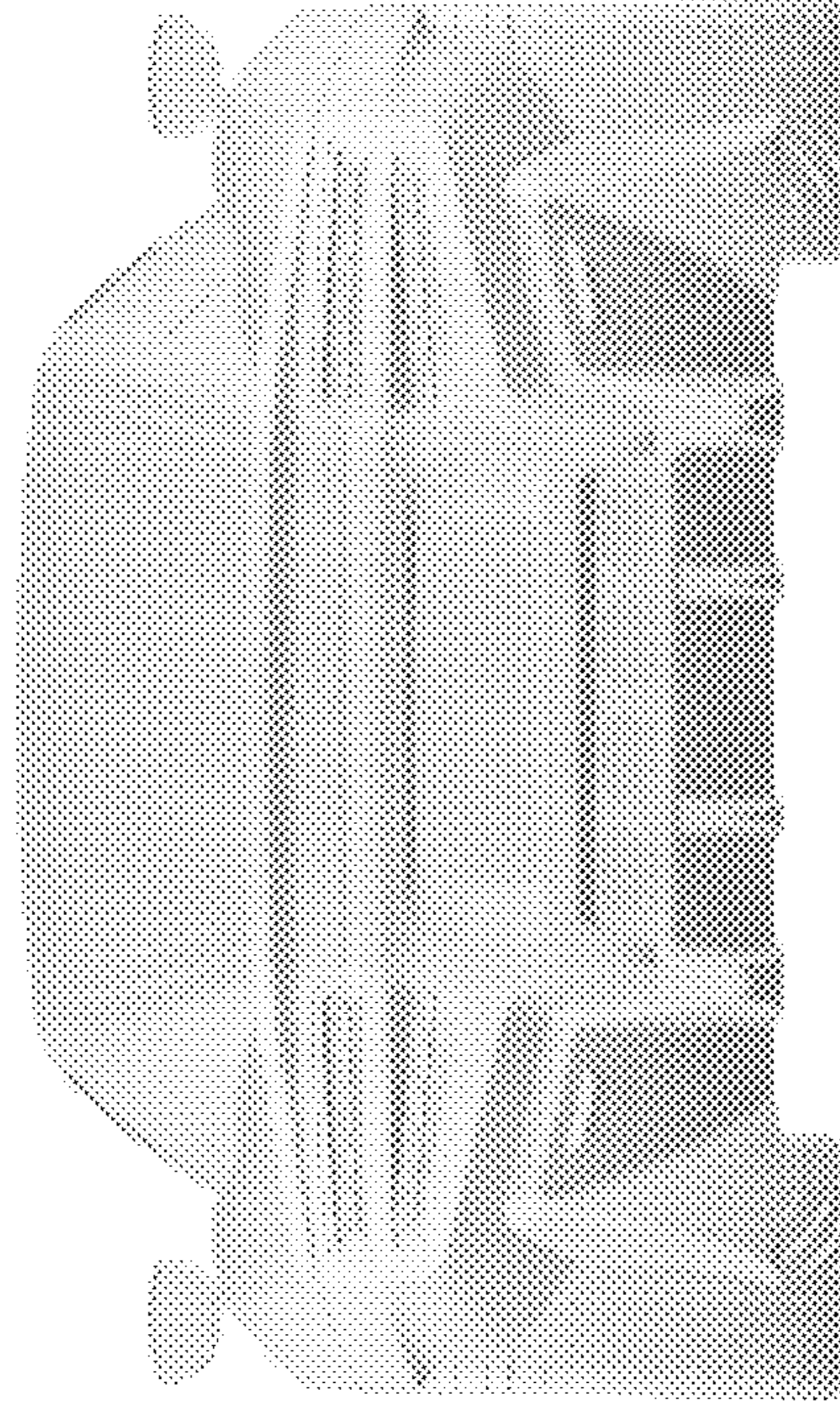


Fig. 3

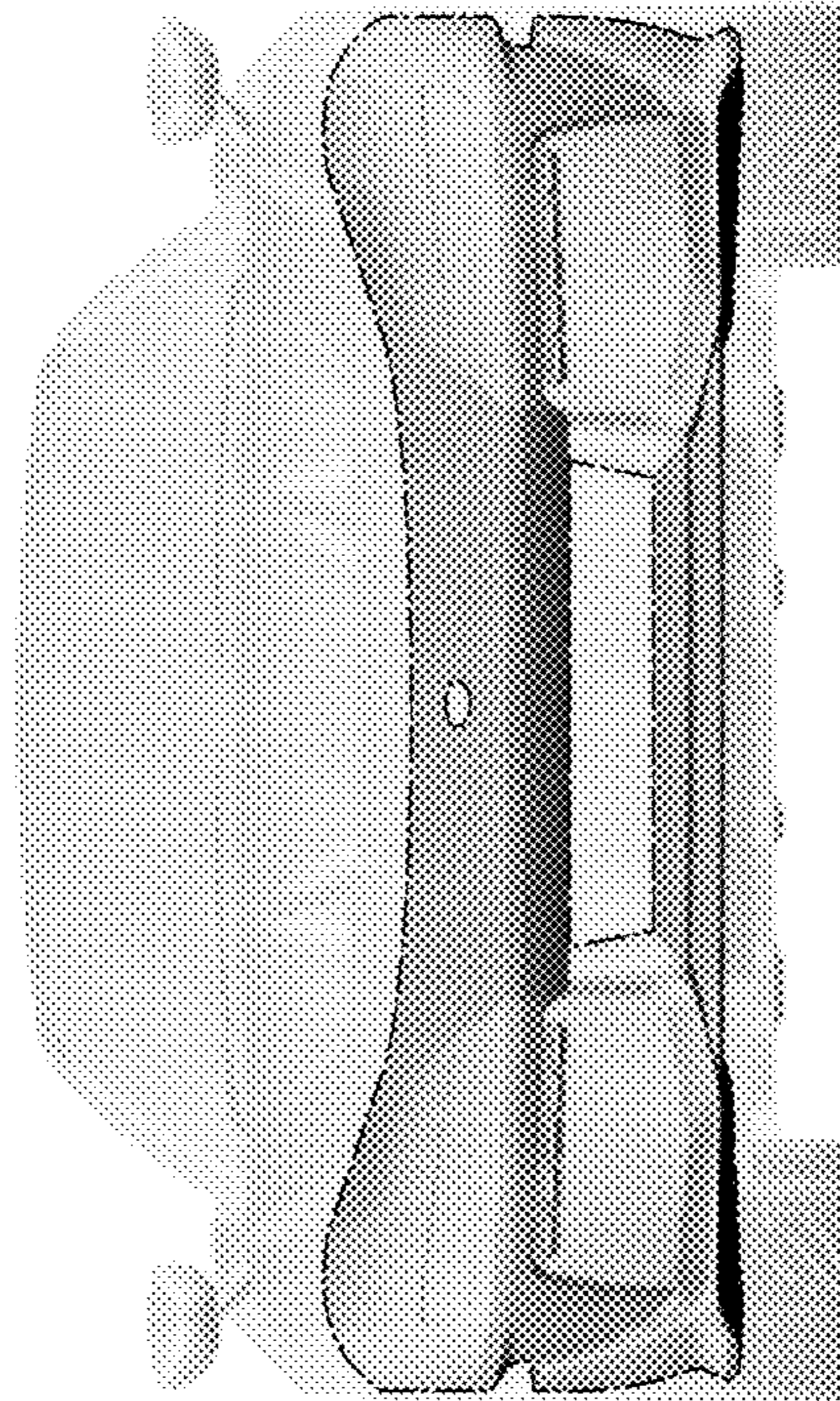


Fig. 4

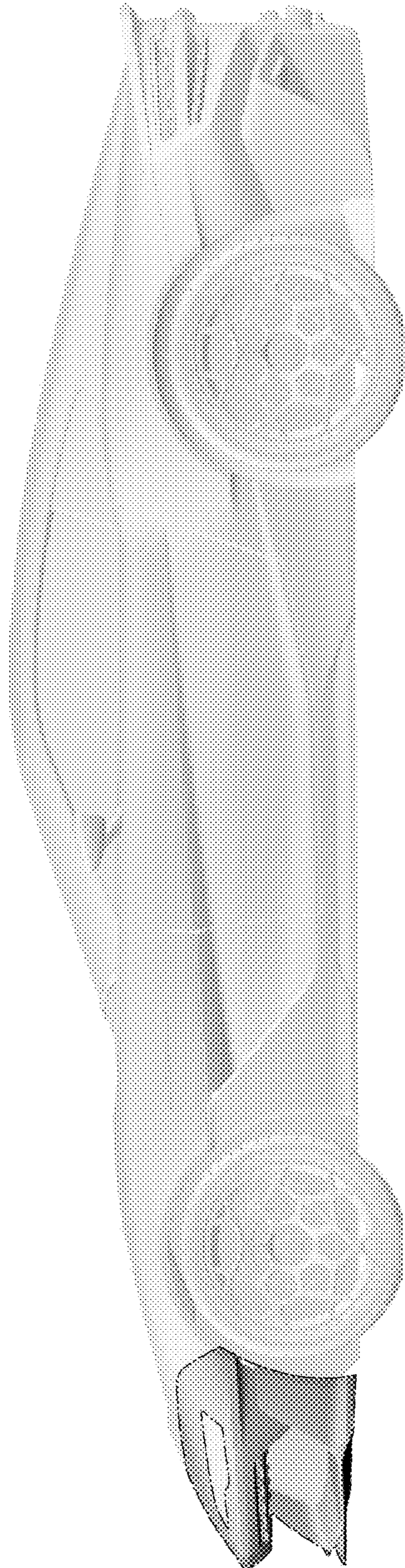


Fig. 5

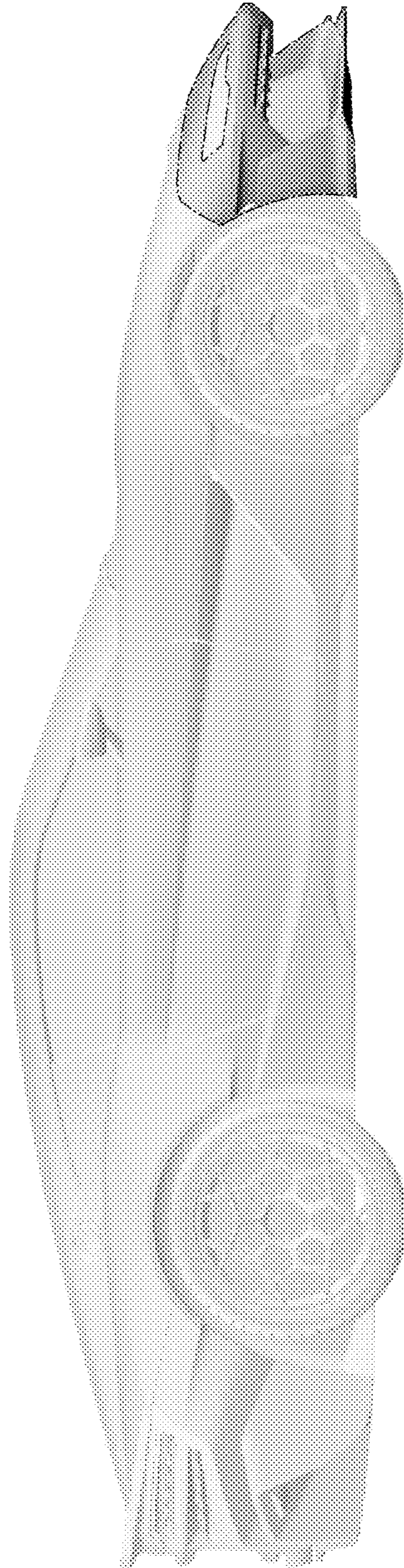


Fig. 6

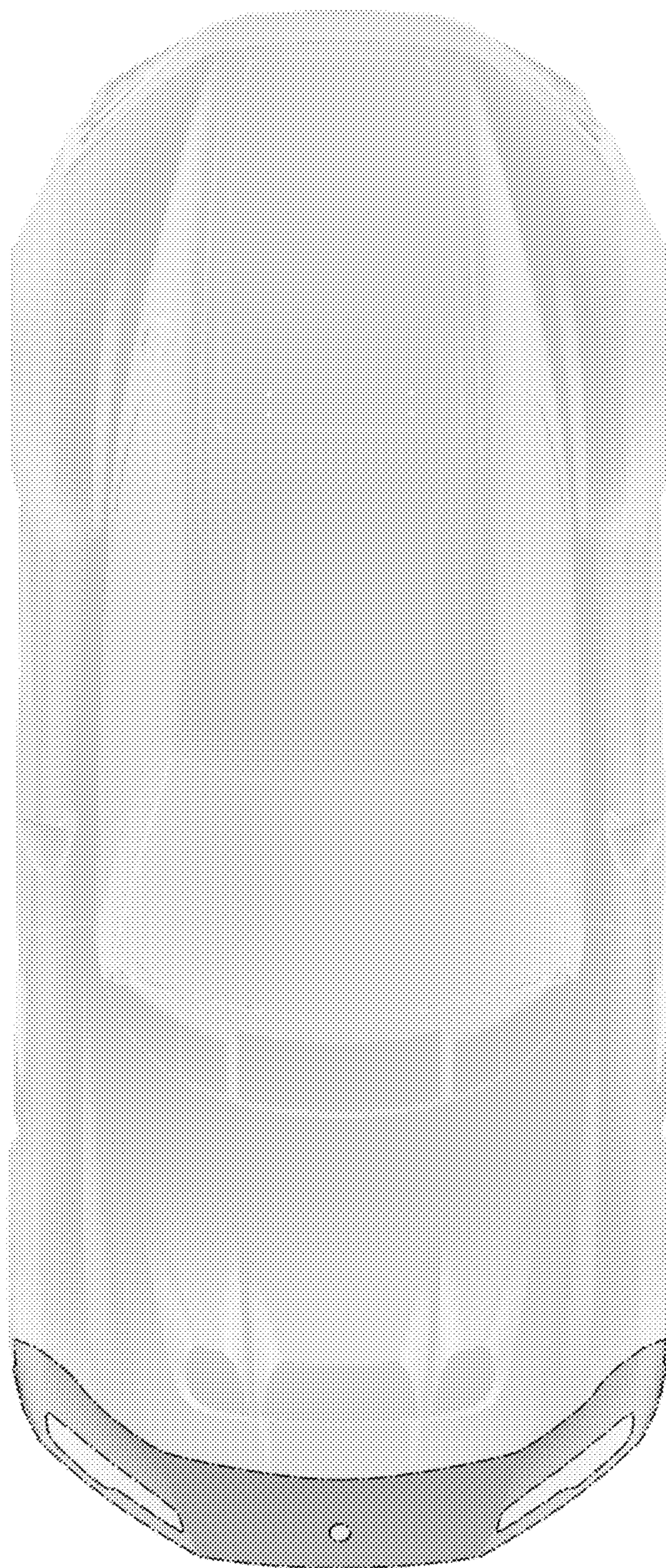


Fig. 7

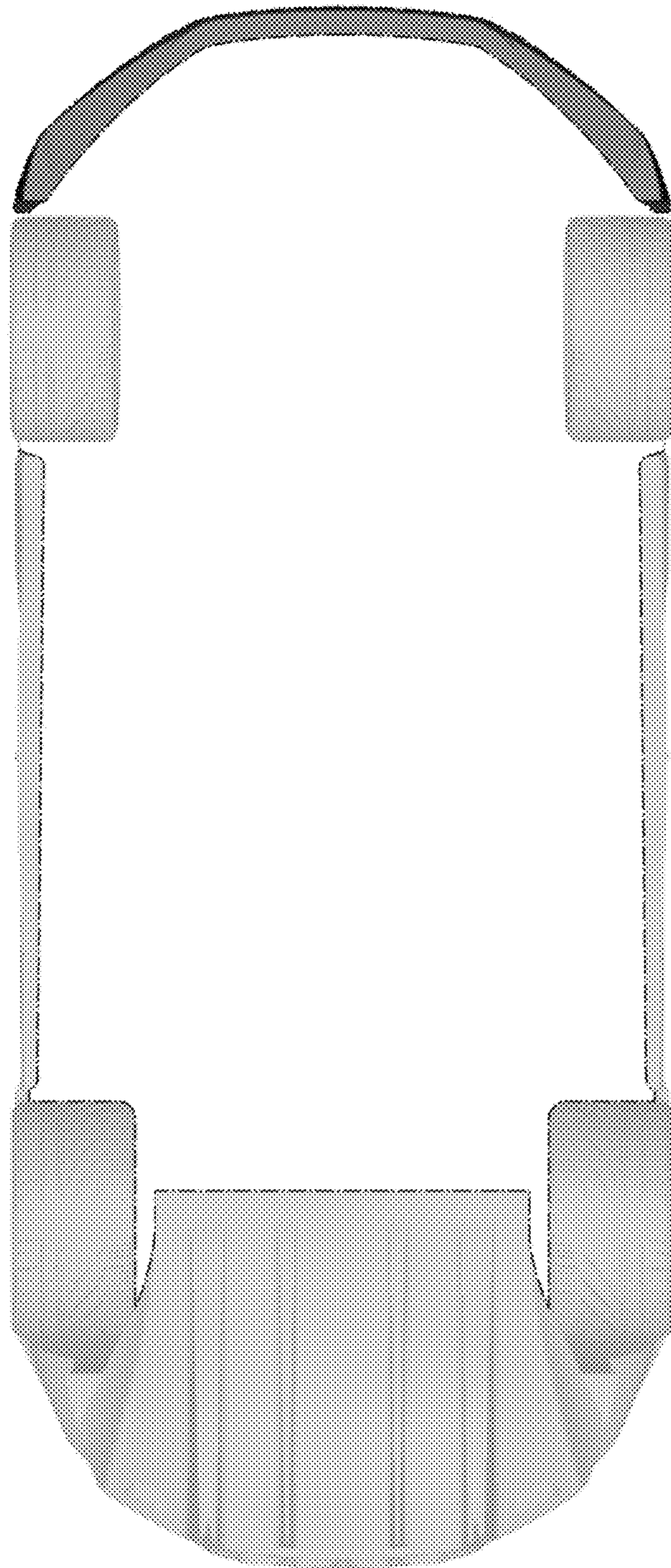


Fig. 8