



US00D918098S

(12) **United States Design Patent**
Frank et al.

(10) **Patent No.:** **US D918,098 S**

(45) **Date of Patent:** **** May 4, 2021**

(54) **FRONT END OF A MOTOR VEHICLE**

D839,786 S * 2/2019 Baum D12/92
D842,759 S * 3/2019 Baum D12/92
D861,539 S * 10/2019 Schmolz D12/92

(71) Applicant: **Factory Five Licensing, Inc.**,
Wareham, MA (US)

* cited by examiner

(72) Inventors: **Phil Frank**, Wareham, MA (US);
James Schenck, Wareham, MA (US)

Primary Examiner — Melody N Brown
(74) *Attorney, Agent, or Firm* — McInnes & McLane,
LLP

(73) Assignee: **FACTORY FIVE LICENSING, INC.**,
Wareham, MA (US)

(**) Term: **15 Years**

(57) **CLAIM**

(21) Appl. No.: **29/716,421**

The ornamental design for a front end of a motor vehicle, as shown and described.

(22) Filed: **Dec. 10, 2019**

DESCRIPTION

(51) **LOC (13) Cl.** **12-16**

(52) **U.S. Cl.**
USPC **D12/164**

(58) **Field of Classification Search**
USPC D12/86, 90–92, 88, 164; D21/424, 433,
D21/434; 296/181.1–181.5, 183.1
CPC B62D 25/00; B62D 25/06; B62D 33/00;
B62D 35/00
See application file for complete search history.

FIG. 1 is a top, front and left side perspective view of a front end of a motor vehicle showing our new design; FIG. 2 is a top, rear and right side perspective view thereof; FIG. 3 is a front elevational view thereof; FIG. 4 is a rear elevational view thereof; FIG. 5 is a left side elevational view thereof and; FIG. 6 is a right side elevational view thereof; FIG. 7 is a top plan view thereof; and, FIG. 8 is a bottom plan view thereof.

(56) **References Cited**

U.S. PATENT DOCUMENTS

D805,435 S * 12/2017 Baum D12/92
D805,437 S * 12/2017 Varga D12/92
D820,165 S * 6/2018 Borkert D12/92
D820,166 S * 6/2018 Borkert D12/92
D833,331 S * 11/2018 Yamashita D12/92

The portions of the motor vehicle shown throughout the drawing views in de-emphasized faded out half-tone form outside the broken lines and the broken lines representing the boundary and configuration of what is claimed as the design are for illustrative and environmental purposes and form no part of the claimed design.

1 Claim, 7 Drawing Sheets

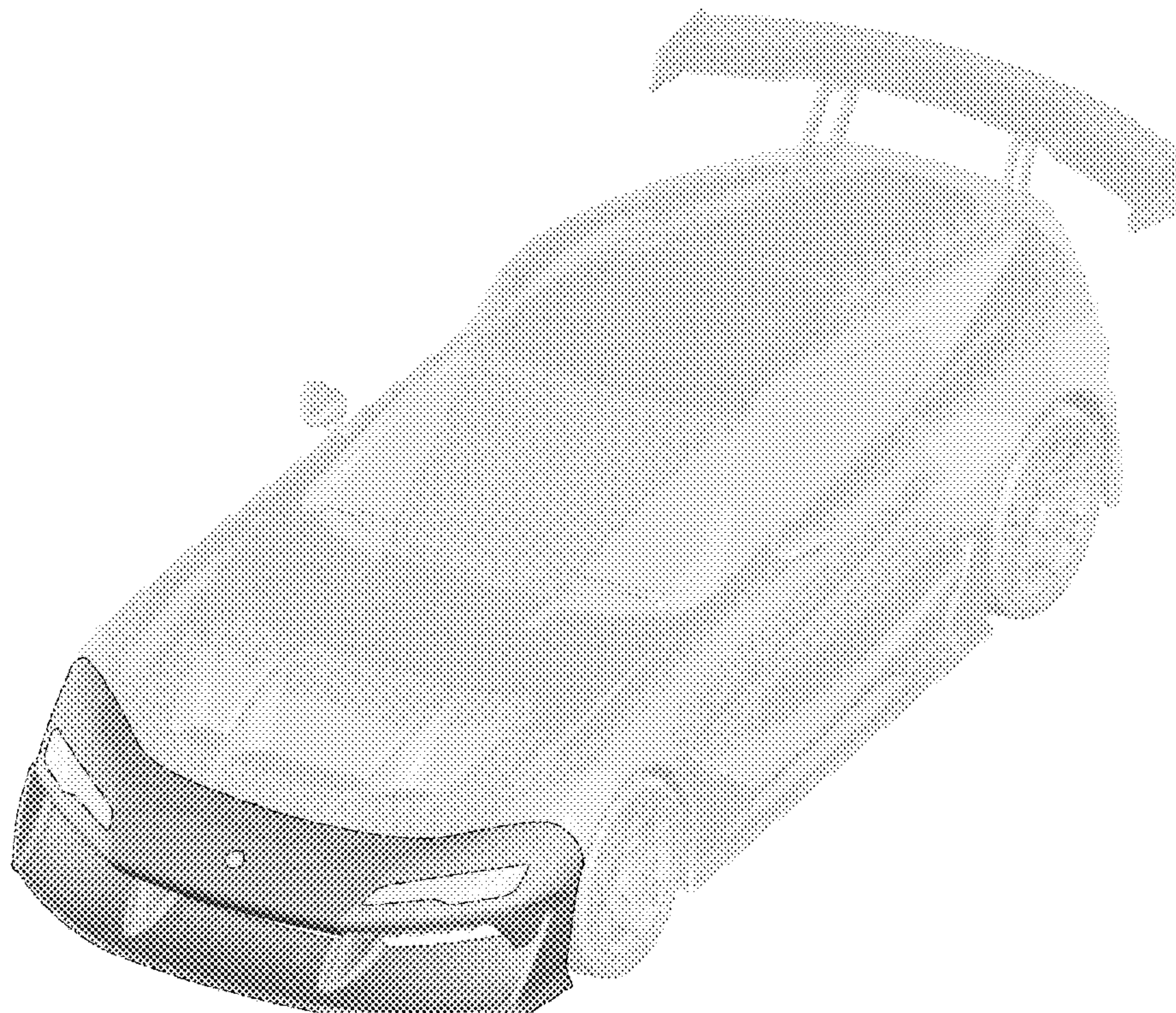




Fig. 1

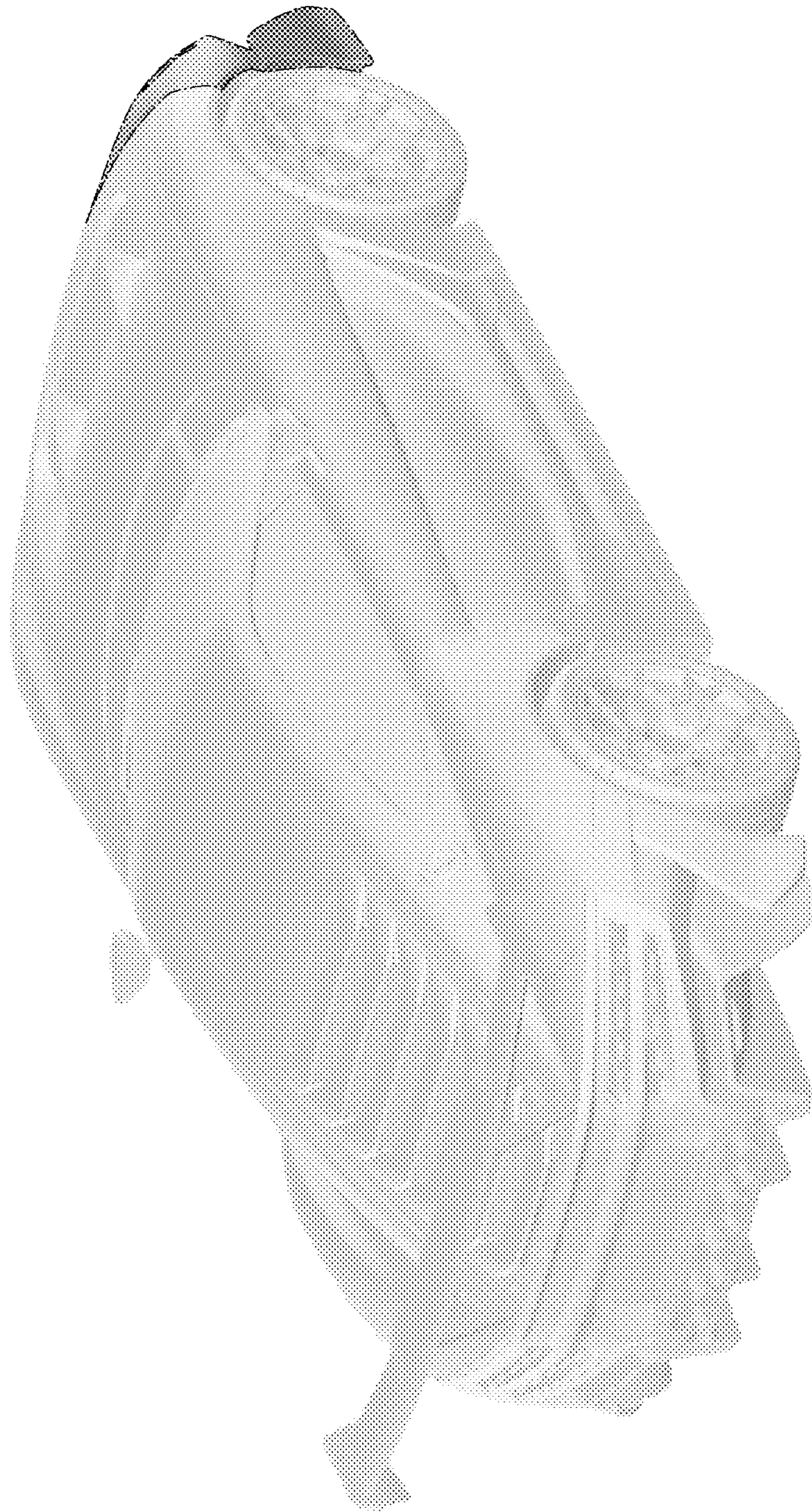


Fig. 2

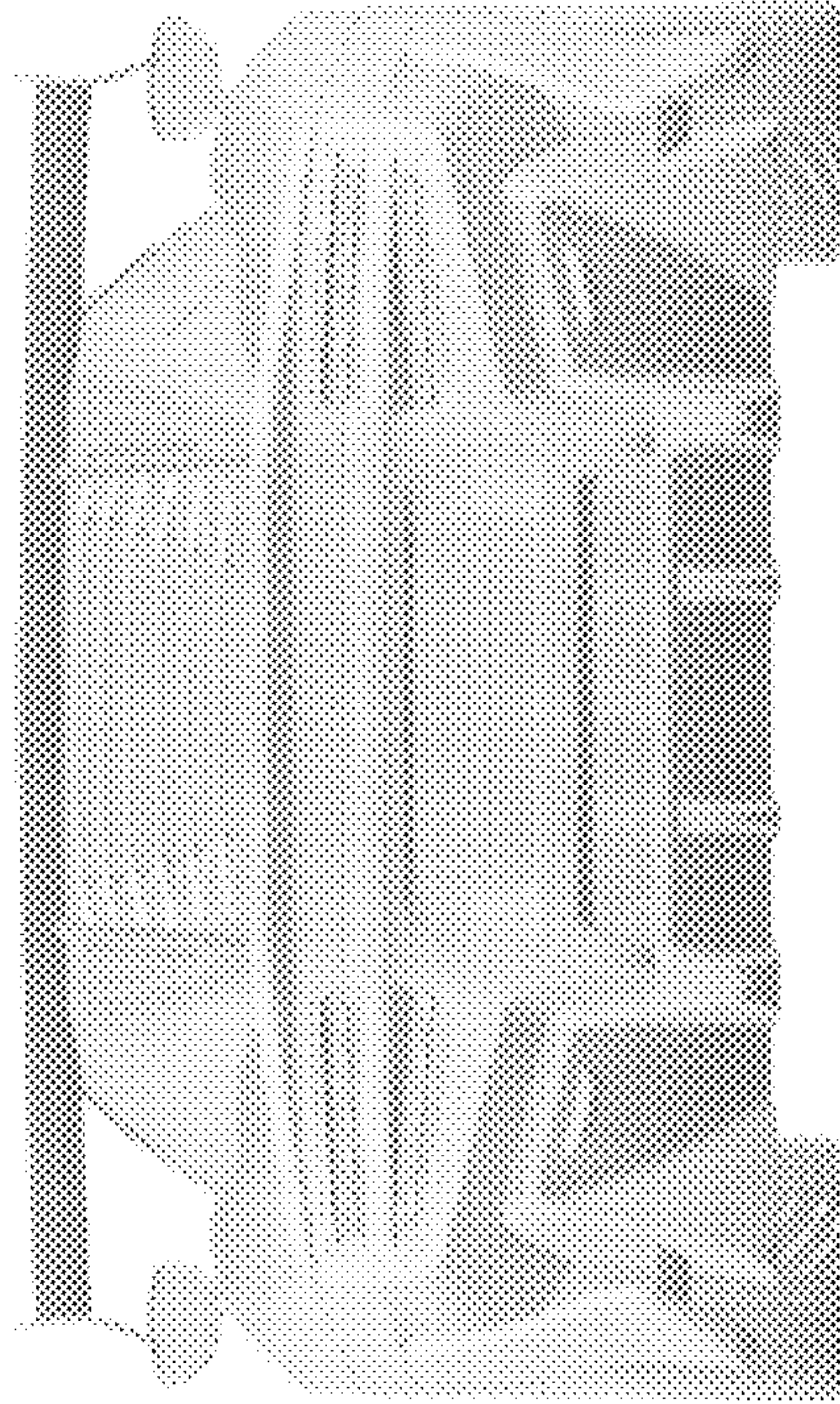


Fig. 4

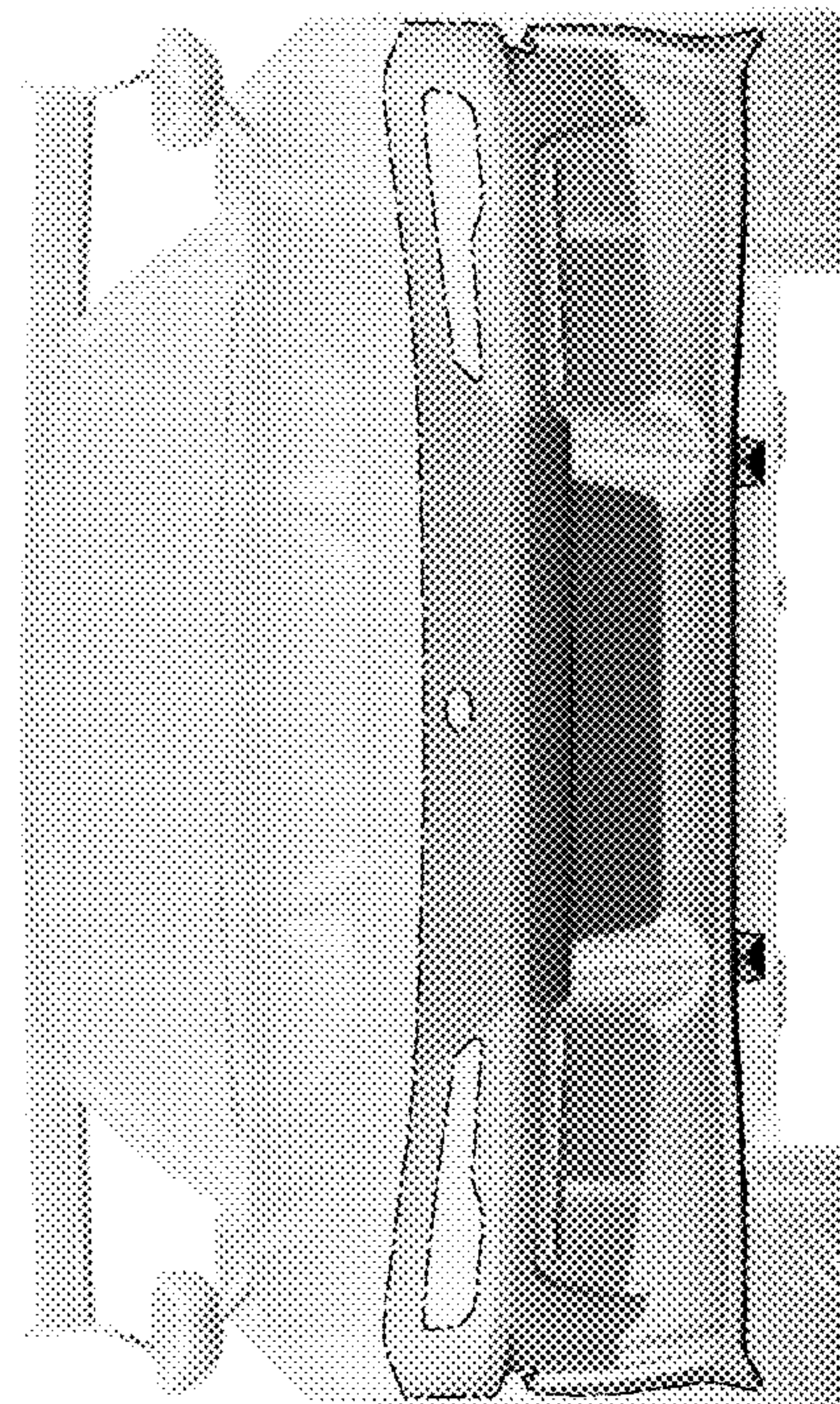


Fig. 3

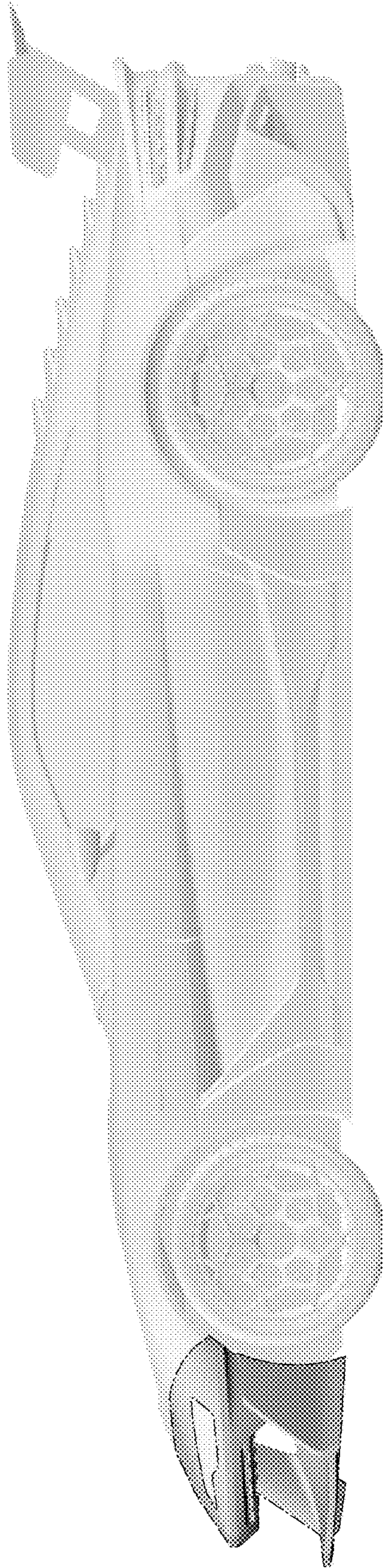


Fig. 5

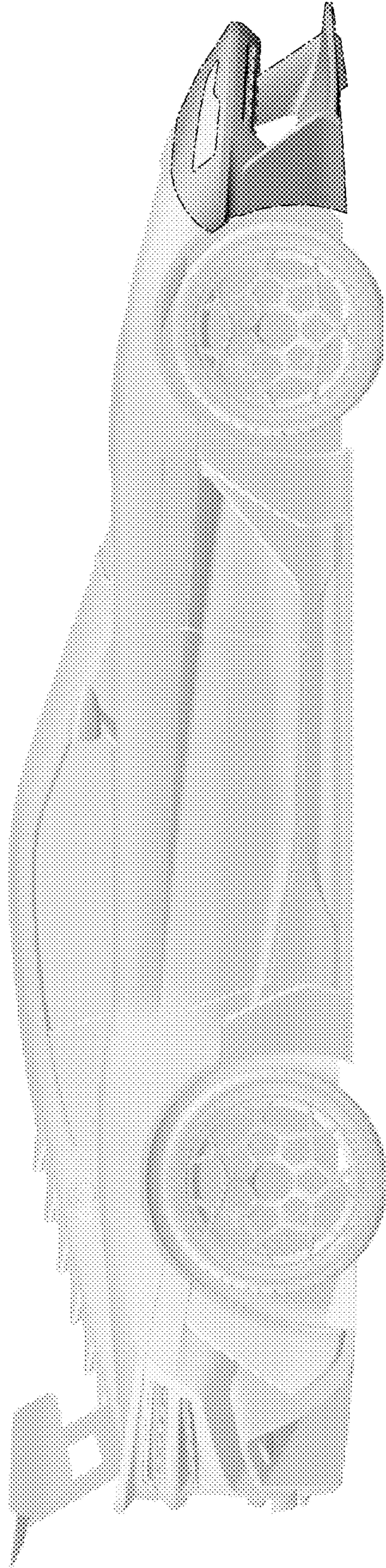


Fig. 6

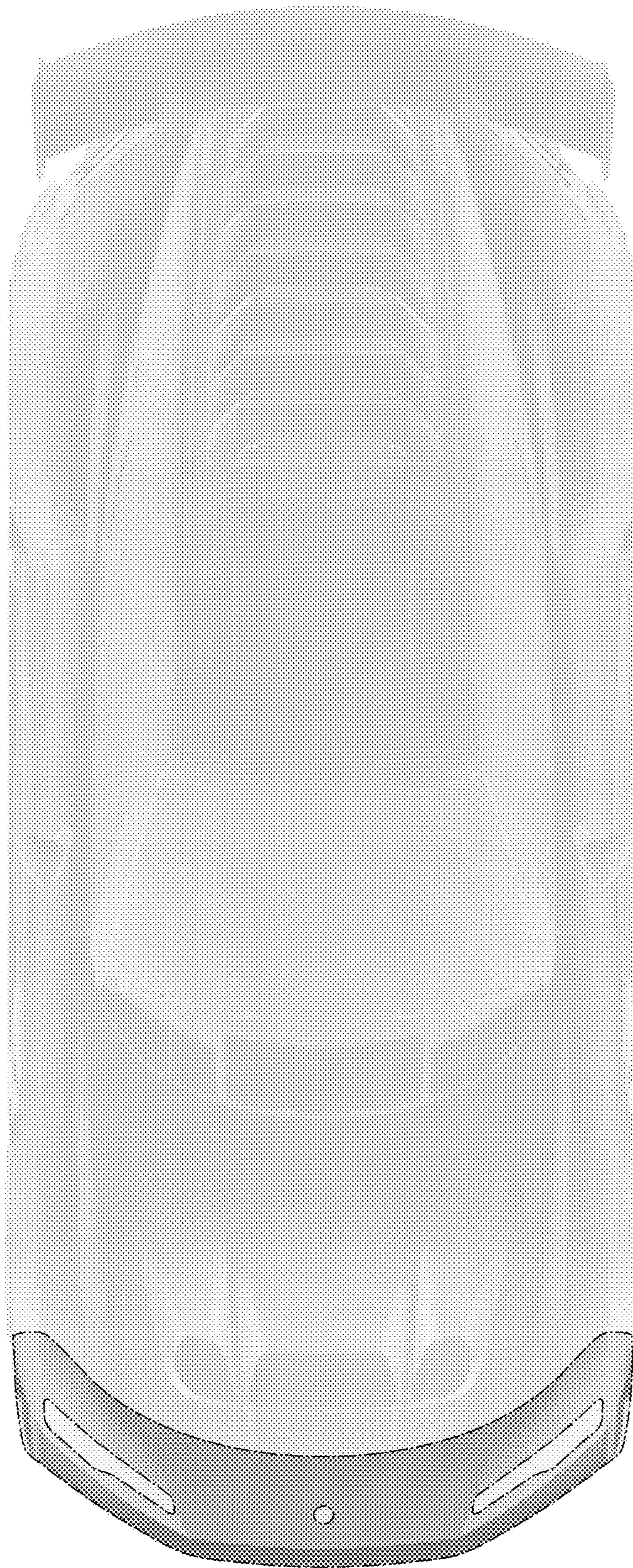


Fig. 7

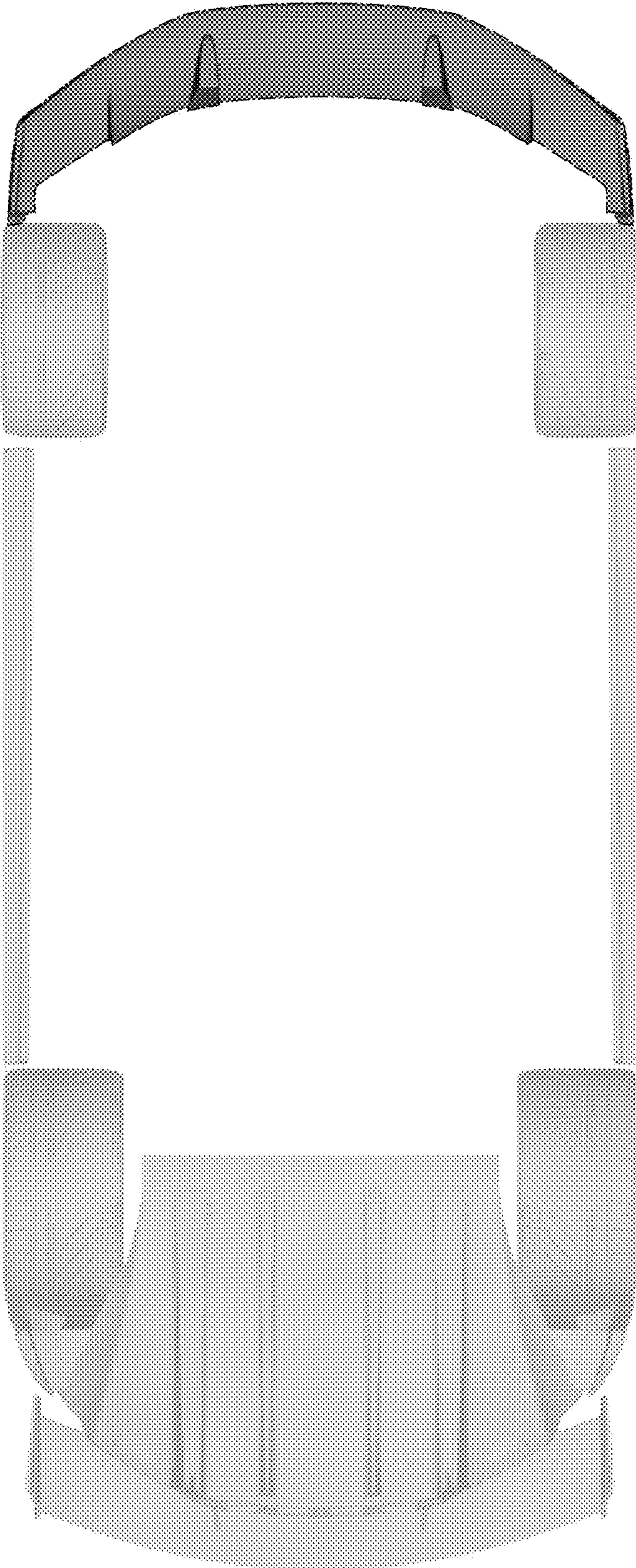


Fig. 8