



US00D918097S

(12) **United States Design Patent** (10) **Patent No.:** **US D918,097 S**
Janikowski et al. (45) **Date of Patent:** **** May 4, 2021**

(54) **WHEELCHAIR HANDGRIP** 7,427,105 B2 * 9/2008 Knoblock A47C 7/14
 297/322
 (71) Applicants: **Carla J. Janikowski**, Hatley, WI (US); 7,497,456 B2 3/2009 Willems et al.
Randy Janikowski, Hatley, WI (US) D597,329 S * 8/2009 Tanaka D6/366
 D665,587 S * 8/2012 Lloyd D6/335
 (72) Inventors: **Carla J. Janikowski**, Hatley, WI (US); D674,729 S * 1/2013 Goldstein D12/133
Randy Janikowski, Hatley, WI (US) D679,513 S * 4/2013 Braverman D6/335
 8,505,946 B2 8/2013 Joo
 8,544,865 B1 10/2013 Janikowski
 (**) Term: **15 Years** (Continued)

(21) Appl. No.: **29/653,846**
 (22) Filed: **Jun. 19, 2018**

(51) **LOC (13) Cl.** **12-12**
 (52) **U.S. Cl.**
 USPC **D12/133**
 (58) **Field of Classification Search**
 USPC D12/128-133
 CPC A61G 5/00-14
 See application file for complete search history.

(56) **References Cited**
 U.S. PATENT DOCUMENTS

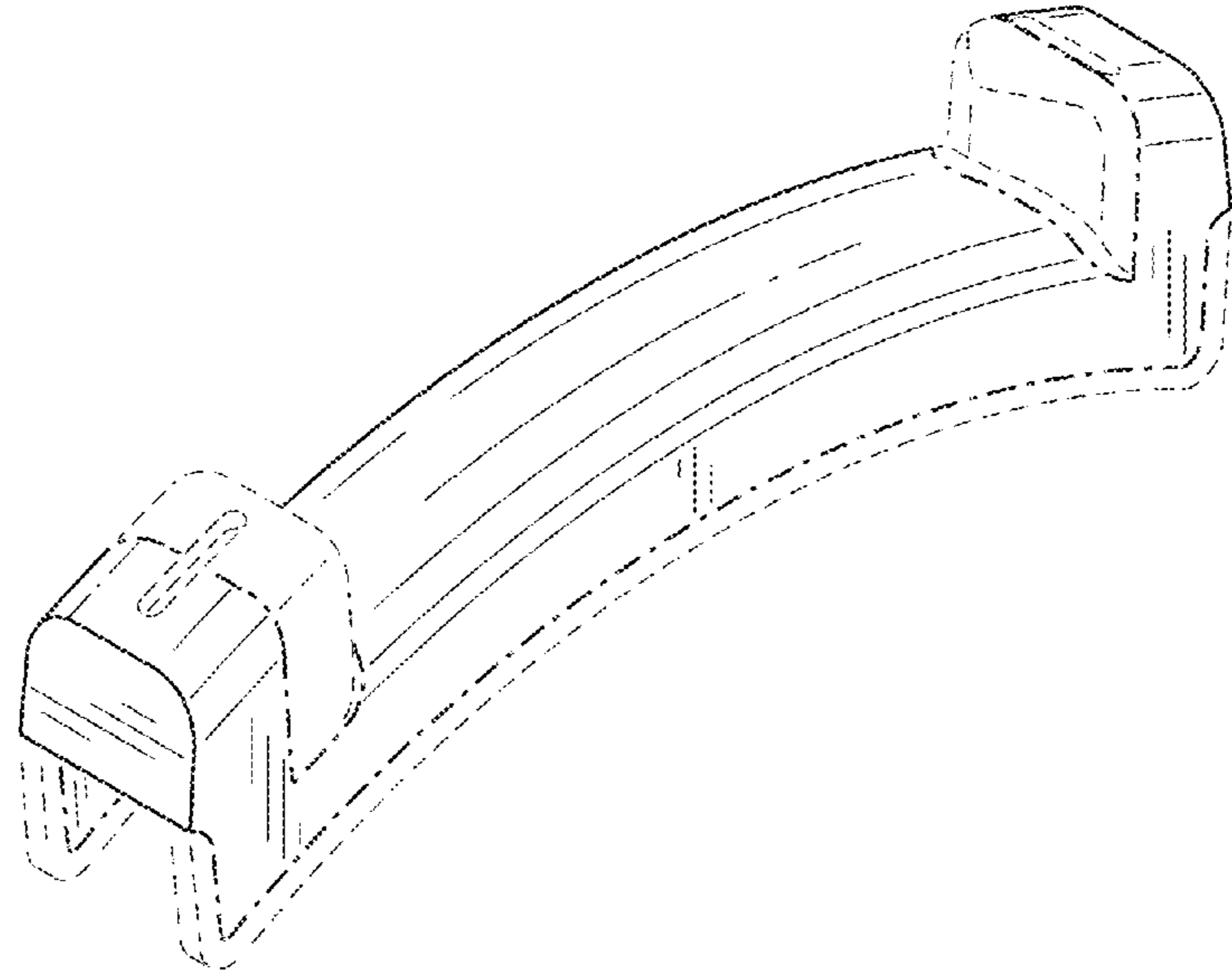
2,876,486	A	3/1959	Lindstrom	
3,189,368	A	6/1965	Petersen	
3,623,748	A	11/1971	Haynes	
3,869,146	A	3/1975	Bulmer	
5,988,661	A	11/1999	Garfinkle	
D418,779	S *	1/2000	Greaves	D12/128
6,203,101	B1 *	3/2001	Chou	A47C 7/543 297/115
D439,869	S *	4/2001	Kjell	D12/128
6,241,268	B1	6/2001	Niklasson	
6,276,705	B1	8/2001	Baldwin et al.	
6,352,307	B1 *	3/2002	Engman	A61G 5/1059 297/284.1
6,439,281	B1	8/2002	Hogg	
6,634,663	B2	10/2003	Mitchell	
6,722,680	B2	4/2004	DeLong et al.	
7,040,642	B2	5/2006	Lowry	
7,234,717	B1	6/2007	Thomas	
D552,856	S *	10/2007	Chan	D6/366
7,296,811	B2	11/2007	Pettit	

FOREIGN PATENT DOCUMENTS
 JP 2013-13698 1/2013
 Primary Examiner — Charles D Hanson
 (74) Attorney, Agent, or Firm — Andrus Intellectual Property Law, LLP

(57) **CLAIM**
 The ornamental design for wheelchair handgrip, as shown and described.

DESCRIPTION
 FIG. 1 is a top perspective view of a wheelchair handgrip according to our new design;
 FIG. 2 is a bottom perspective view thereof;
 FIG. 3 is a left side elevation view thereof;
 FIG. 4 is a right side elevation view thereof;
 FIG. 5 is a front elevation view thereof;
 FIG. 6 is a rear elevation view thereof;
 FIG. 7 is a top plan view thereof; and,
 FIG. 8 is a bottom plan view thereof.
 The evenly spaced broken lines in the Figures illustrate portions of the wheelchair handgrip that form no part of the claimed design. The dash-dot broken lines in the Figures between the solid line portions and the evenly spaced broken line portions of the wheelchair handgrip show the boundaries of the claimed design and form no part of the claimed design.

1 Claim, 3 Drawing Sheets



(56)

References Cited

U.S. PATENT DOCUMENTS

D705,134	S	*	5/2014	Childs	D12/133
D732,439	S	*	6/2015	Childs	D12/133
9,597,241	B2		3/2017	Zondervan	
D829,137	S	*	9/2018	Hommen	D12/131
D873,183	S	*	1/2020	Gabriely	D12/131
2001/0007389	A1		7/2001	Frauwirth	
2002/0125711	A1		9/2002	Calhoun	
2006/0261571	A1		11/2006	Mitchell	
2011/0175329	A1	*	7/2011	Gingras	A61G 5/1064 280/647
2019/0151168	A1		5/2019	Jones	

* cited by examiner

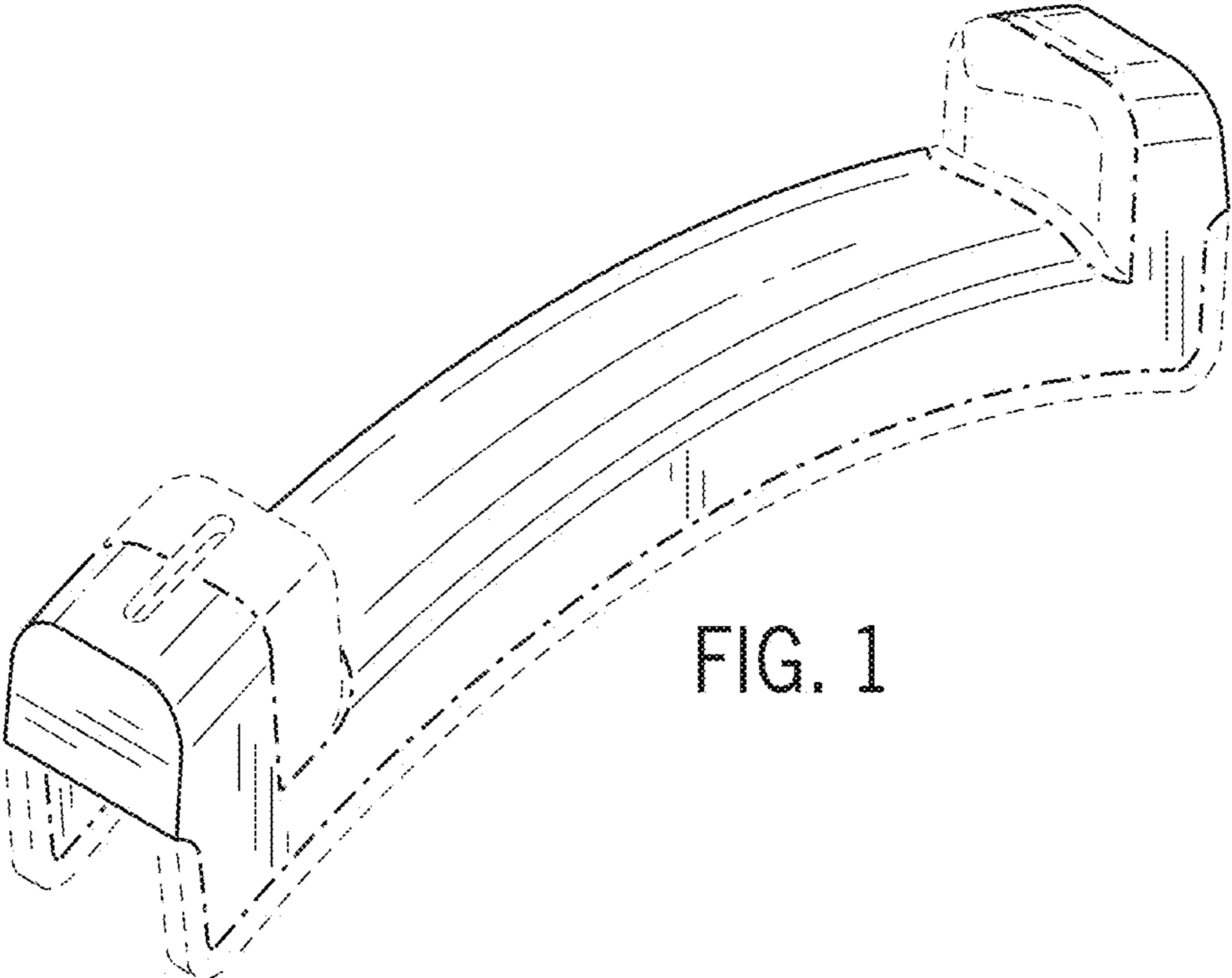


FIG. 1

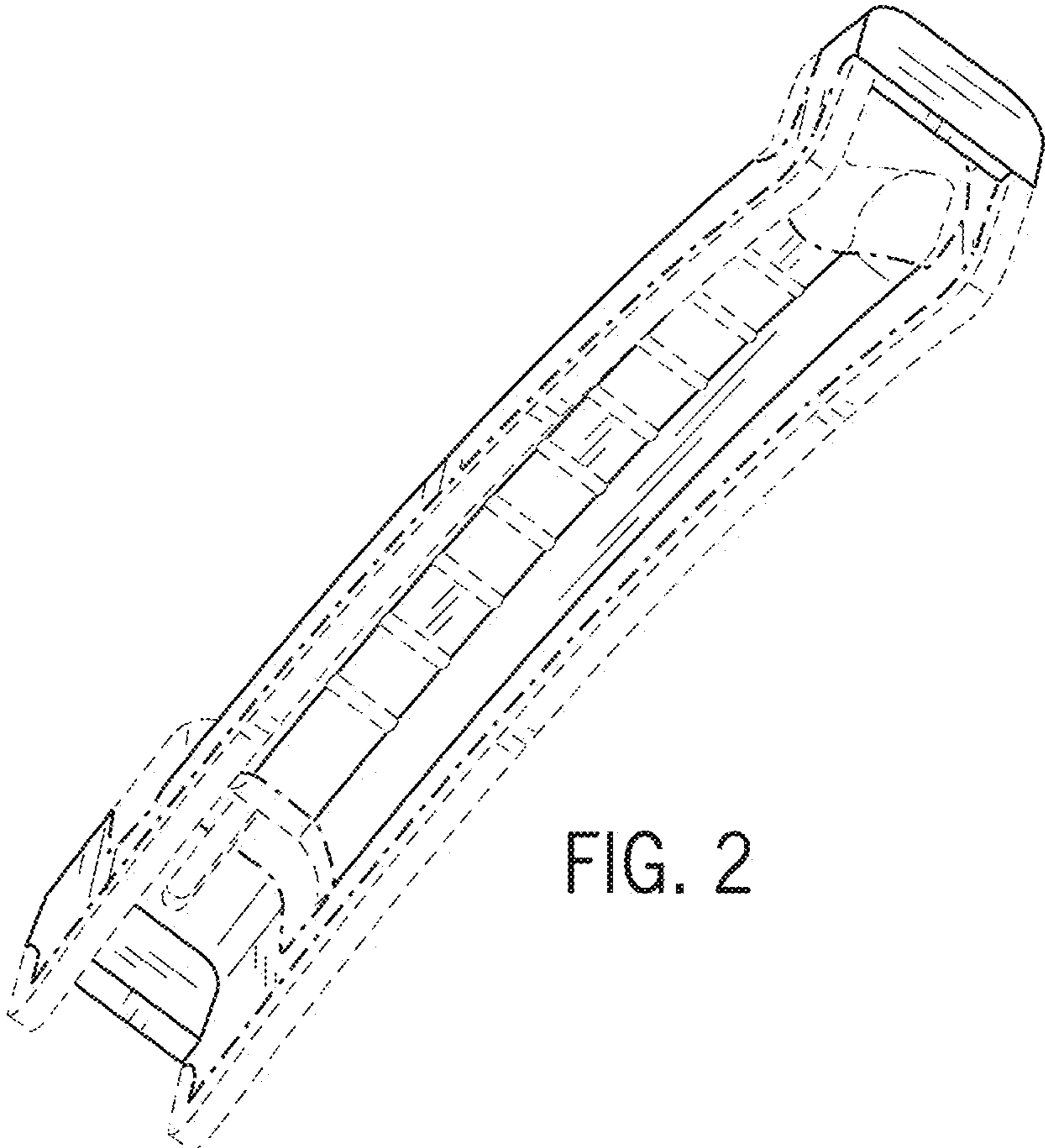


FIG. 2

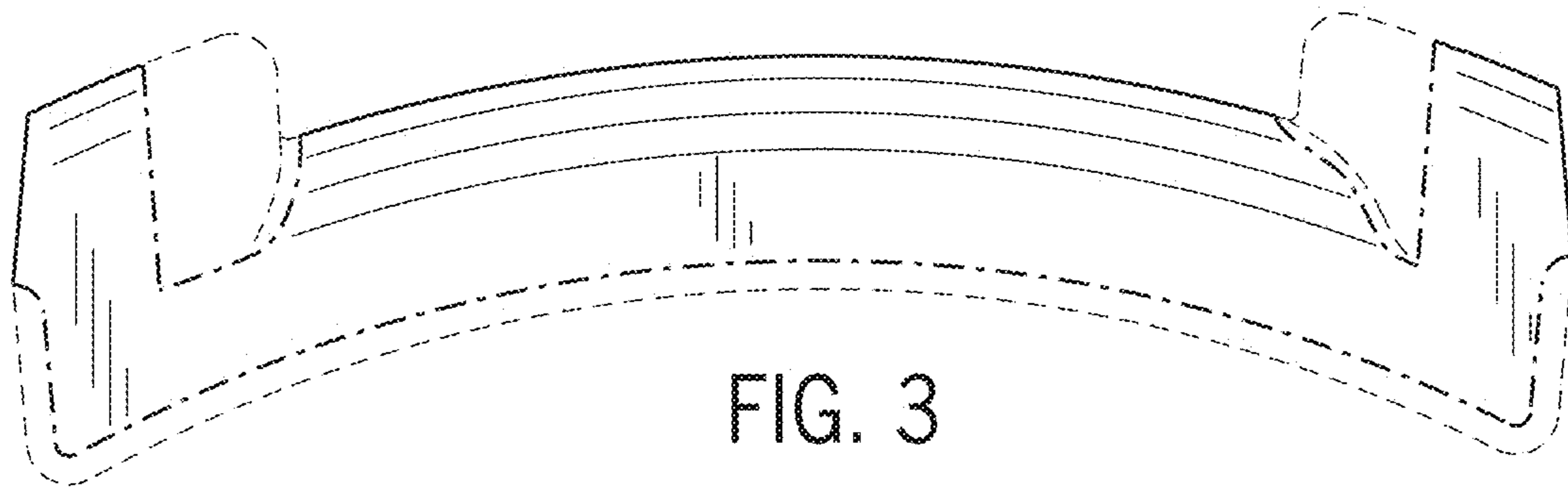


FIG. 3

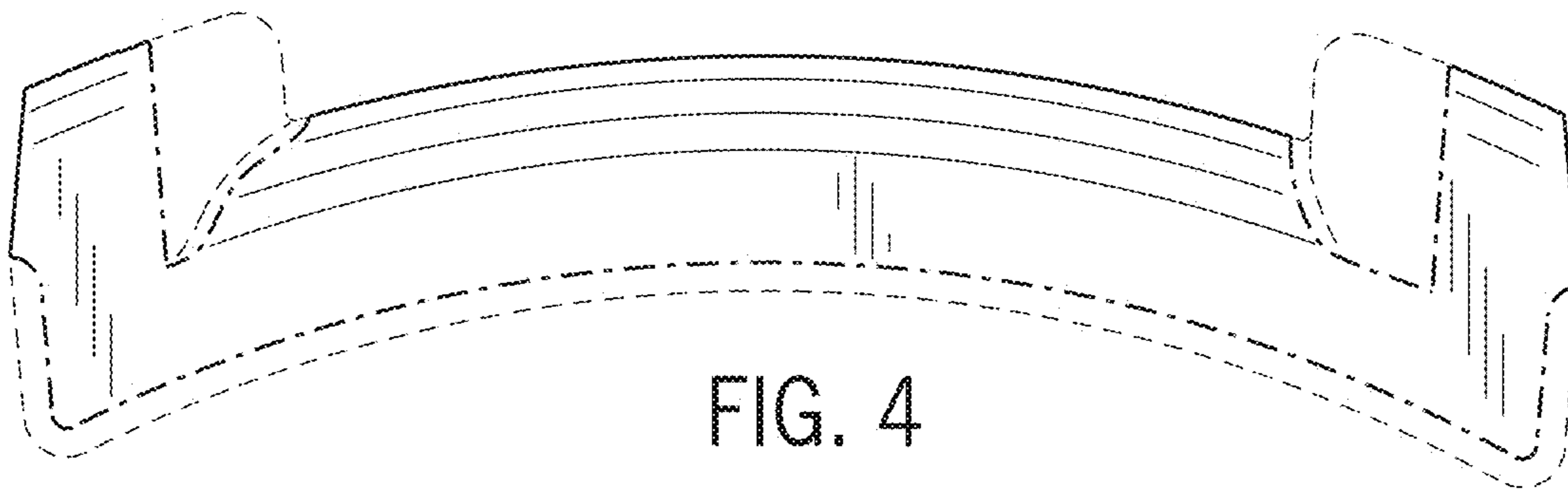


FIG. 4

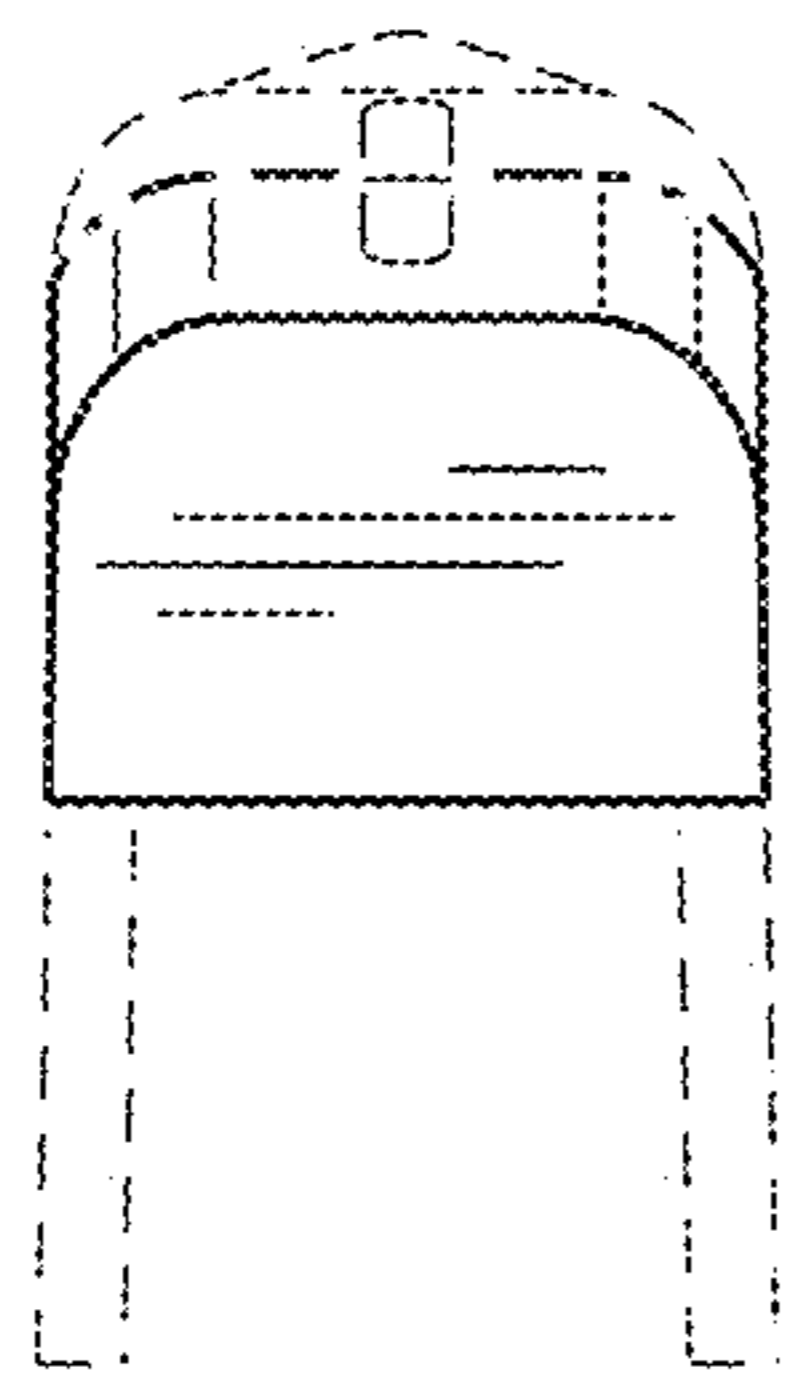


FIG. 5

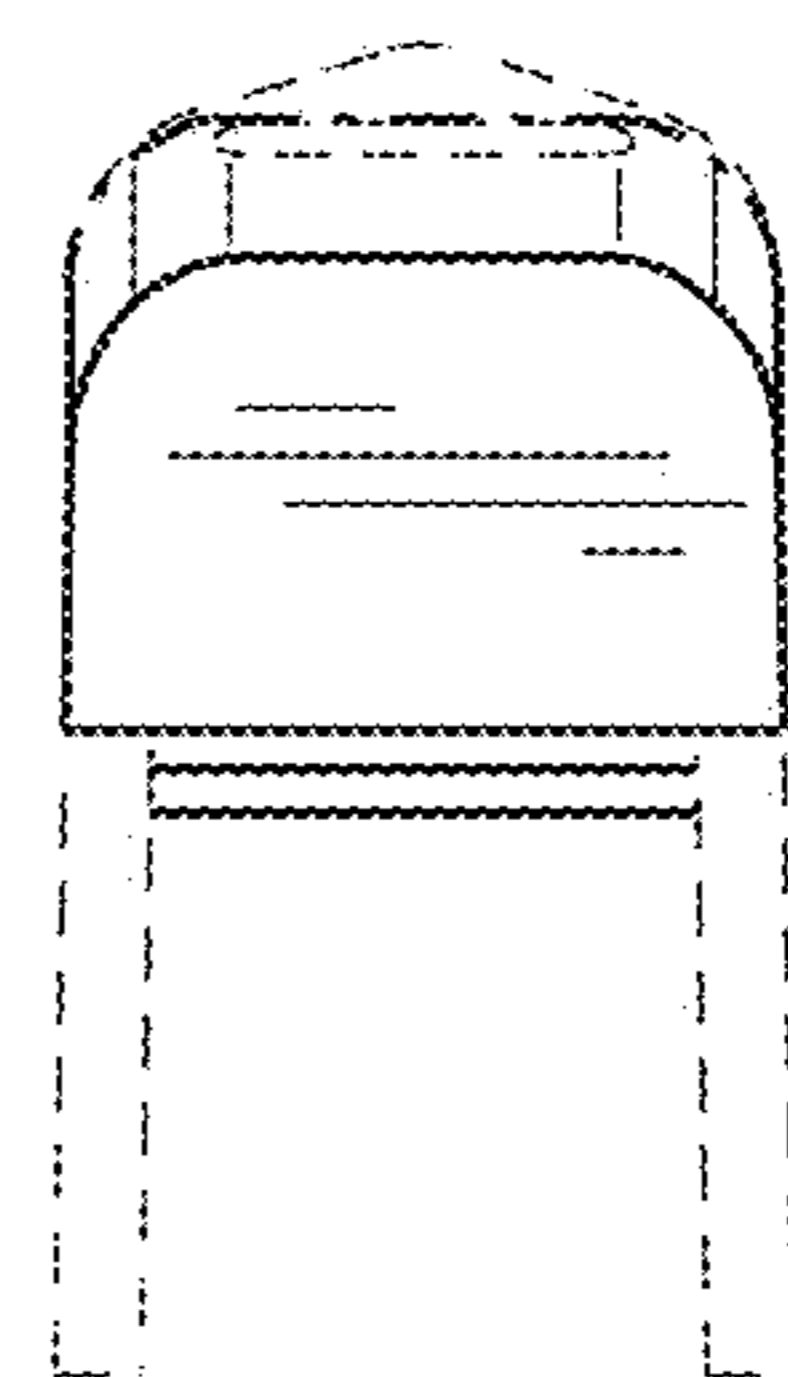


FIG. 6

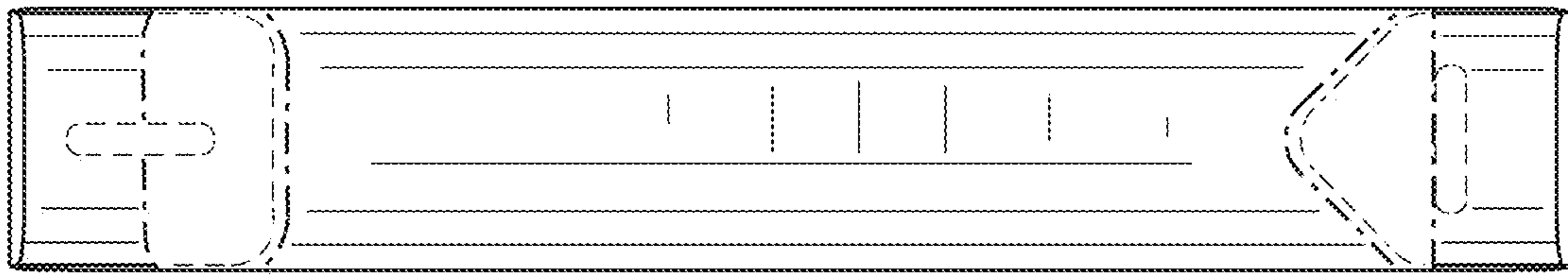


FIG. 7

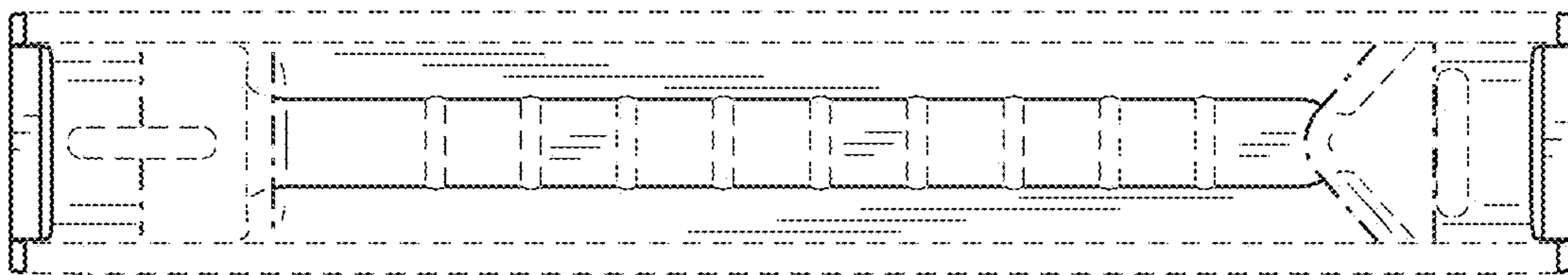


FIG. 8