



US00D918095S

(12) **United States Design Patent** (10) **Patent No.:** **US D918,095 S**
Chambers et al. (45) **Date of Patent:** **** May 4, 2021**

(54) **MOTORBIKE FRONT FORK WITH FENDER**

<URL: <https://www.sovereigncycle.com/21-fox-38-36-front-fender.html>> (Year: 2021).*

(71) Applicant: **Super73, Inc.**, Irvine, CA (US)

(Continued)

(72) Inventors: **Ian Chambers**, Irvine, CA (US);
Legrand Crewse, Irvine, CA (US)

Primary Examiner — Darlington Ly

Assistant Examiner — Nasim Abdulaziz Ali

(73) Assignee: **Super73, Inc.**, Irvine, CA (US)

(74) *Attorney, Agent, or Firm* — Stradling Yocca; Carlson & Rauth

(**) Term: **15 Years**

(57) **CLAIM**

(21) Appl. No.: **29/722,039**

The ornamental design for a motorbike front fork with fender, as shown and described.

(22) Filed: **Jan. 24, 2020**

DESCRIPTION

(51) **LOC (13) Cl.** **12-11**

(52) **U.S. Cl.**
USPC **D12/118**

(58) **Field of Classification Search**
USPC D12/111, 112, 113, 114, 117, 118, 126,
D12/184, 186, 107
CPC . B62J 15/00; B62J 15/02; B62J 17/02; B62K
5/06

See application file for complete search history.

(56) **References Cited**

U.S. PATENT DOCUMENTS

D252,458 S *	7/1979	Laine	D12/184
D252,459 S *	7/1979	Laine	D12/184
5,112,071 A *	5/1992	Jones	B62J 15/00 280/152.3
D456,329 S *	4/2002	Thomas	D12/186
D461,150 S *	8/2002	Myers	D12/186
D481,980 S *	11/2003	Song	D12/186
D496,614 S *	9/2004	Everitt	D12/186
D512,354 S *	12/2005	Grove	D12/186

(Continued)

OTHER PUBLICATIONS

“2021 Fox 38/36 Fender” Sovereign Cycle., posted date 2021 [online], [retrieved on Jan. 22, 2021], Retrieved from the Internet

FIG. 1 is a top perspective view showing environmental structure of the top, rear, and right sides of a motorbike front fork with fender;

FIG. 2 is a top perspective view showing environmental structure of the top, front, and left sides of the motorbike front fork with fender;

FIG. 3 is a top perspective view showing the top, front, and left sides of the motorbike front fork with fender;

FIG. 4 is a top perspective view showing the top, rear, and right sides of the motorbike front fork with fender;

FIG. 5 is a right side elevation view of the motorbike front fork with fender;

FIG. 6 is a left side elevation view of the motorbike front fork with fender;

FIG. 7 is a front elevation view of the motorbike front fork with fender;

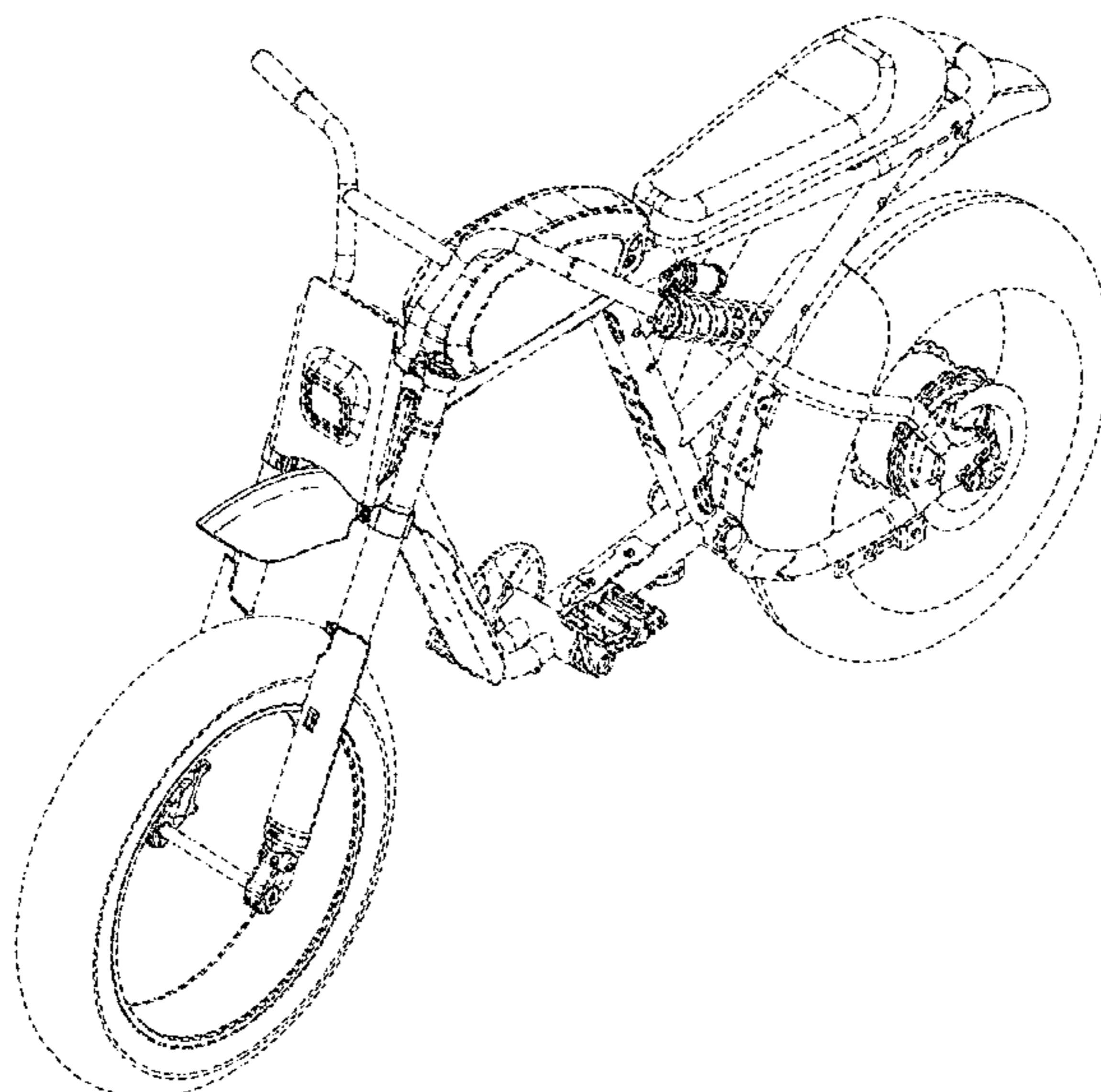
FIG. 8 is a rear elevation view of the motorbike front fork with fender;

FIG. 9 is a top plan view of the motorbike front fork with fender; and,

FIG. 10 is a bottom plan view of the motorbike front fork with fender.

The broken line showing of portions of the motorbike are provided for the purpose of illustrating environmental structure and form no part of the claimed design.

1 Claim, 6 Drawing Sheets



(56)

References Cited

U.S. PATENT DOCUMENTS

D622,194 S * 8/2010 Serbinski D12/186
D694,686 S * 12/2013 Deluy D12/186
D731,936 S * 6/2015 Darwin D12/186
D827,503 S * 9/2018 Talios D12/114
D866,404 S * 11/2019 Spagnotti D12/114

OTHER PUBLICATIONS

“Large Black Mountain Bike Mud Fork Fender” One Ball., posted date Dec. 16, 2016 [online], [retrieved on Jan. 22, 2021], Retrieved from the Internet <URL: <https://one-ball.com/products/large-black-mountain-bike-mud-fork-fender>> (Year: 2016).*

“Mudwar Front White Yeti” Assault Bike Wear., posted date Apr. 24, 2017 [online], [retrieved on Jan. 22, 2021], Retrieved from the Internet <URL: <https://www.assaultbikewear.com/en/product/mudwar-front-white-yeti/>> (Year: 2017).*

* cited by examiner

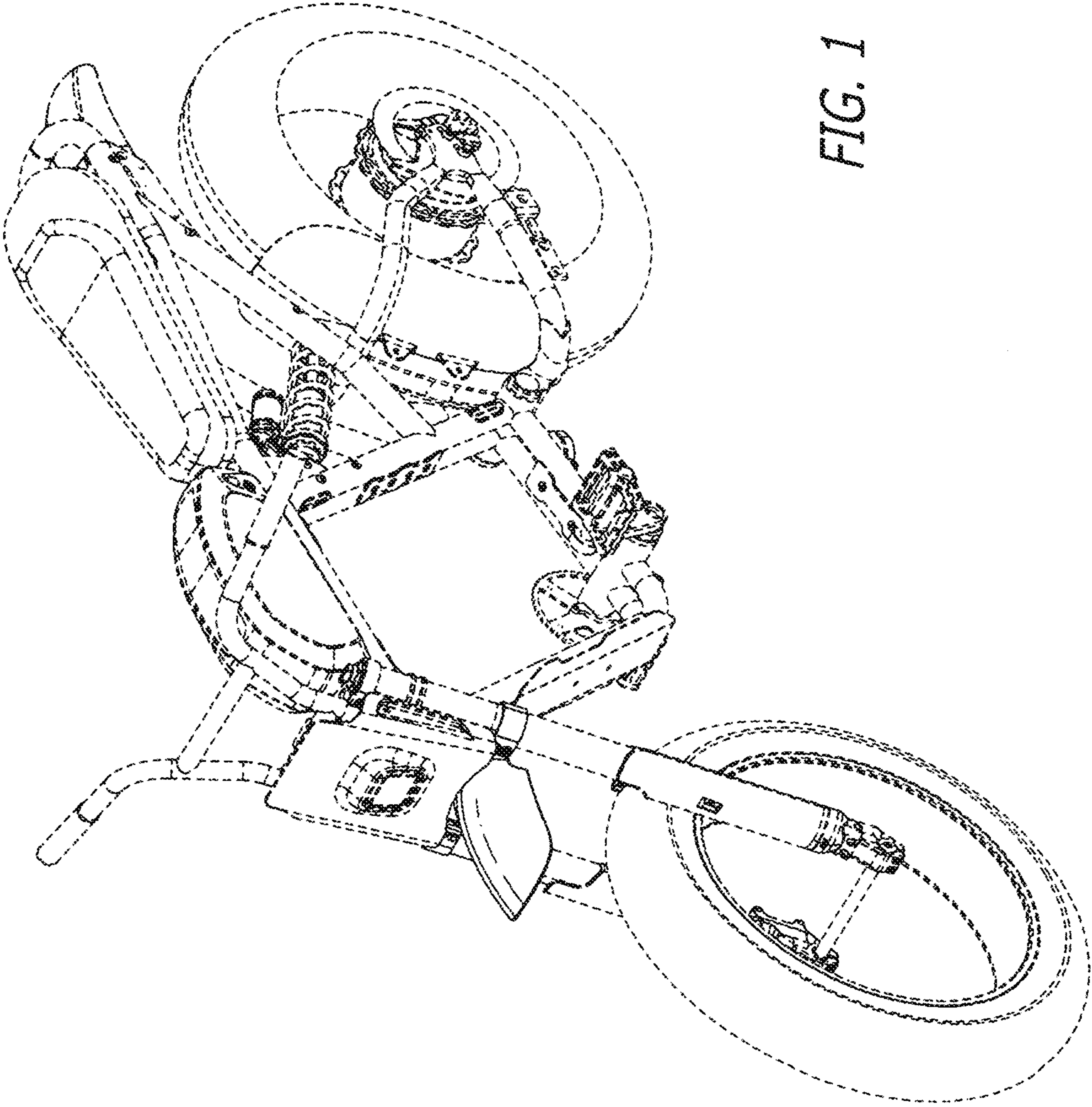


FIG. 1

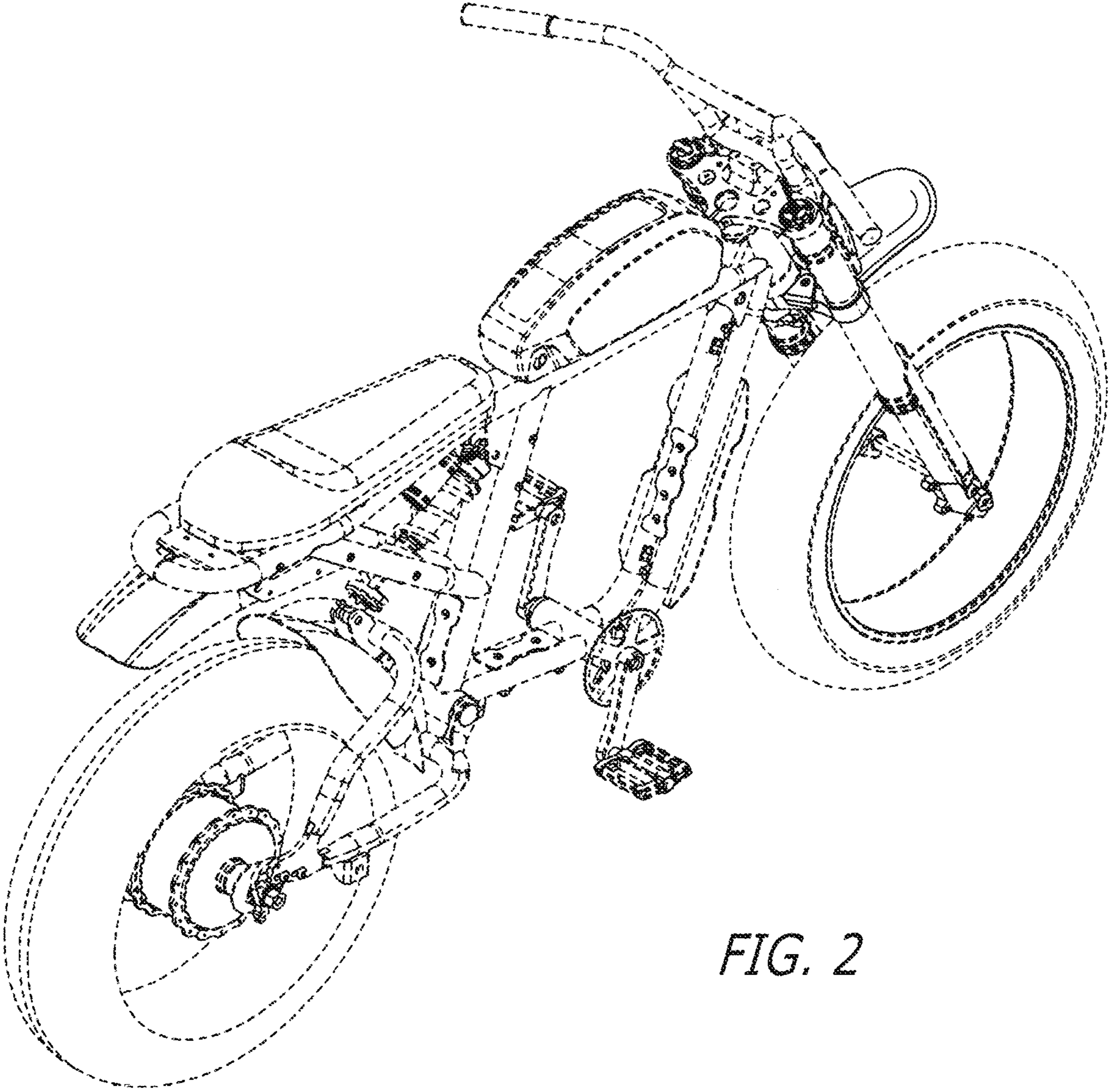


FIG. 2

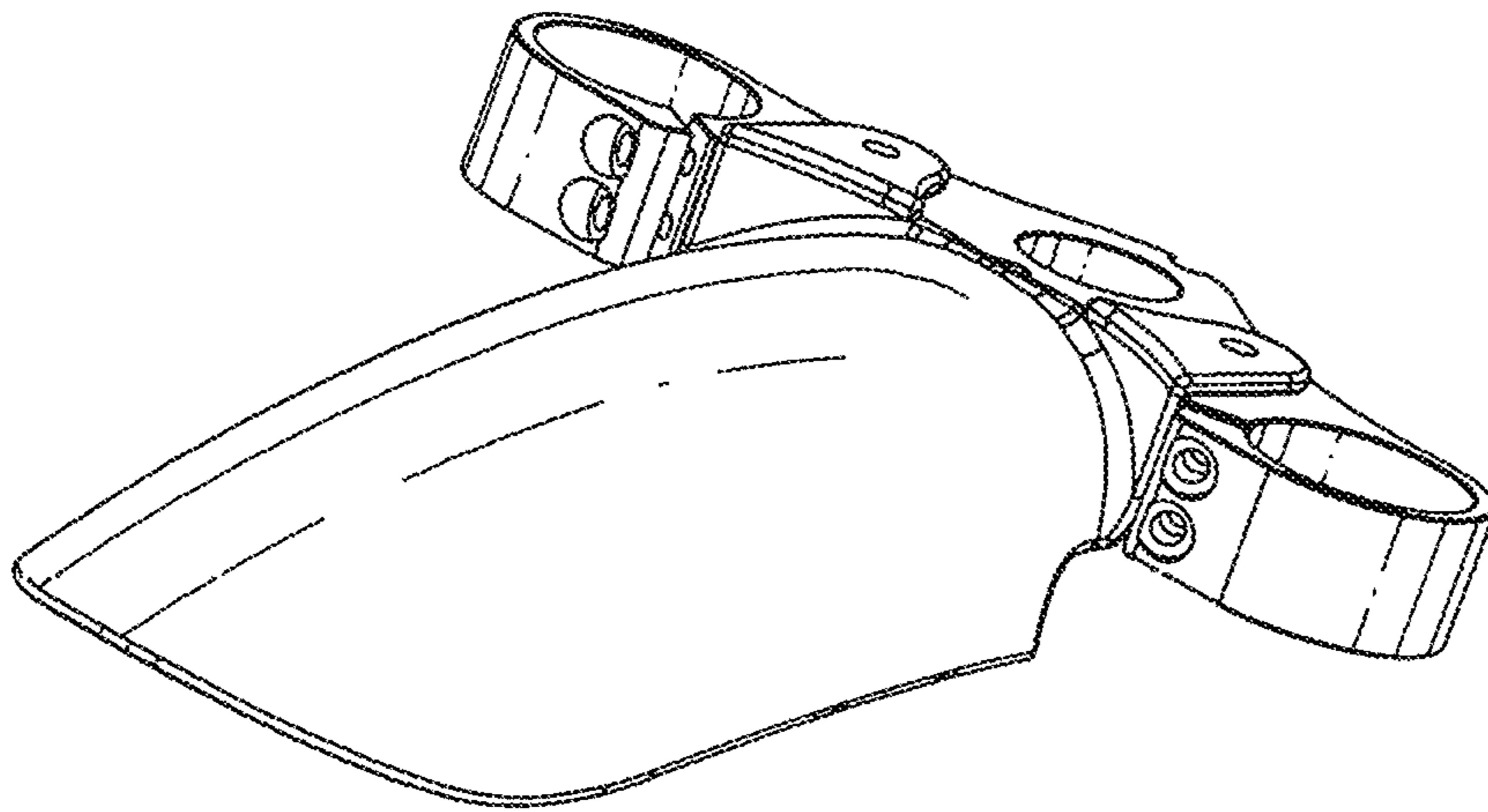


FIG. 3

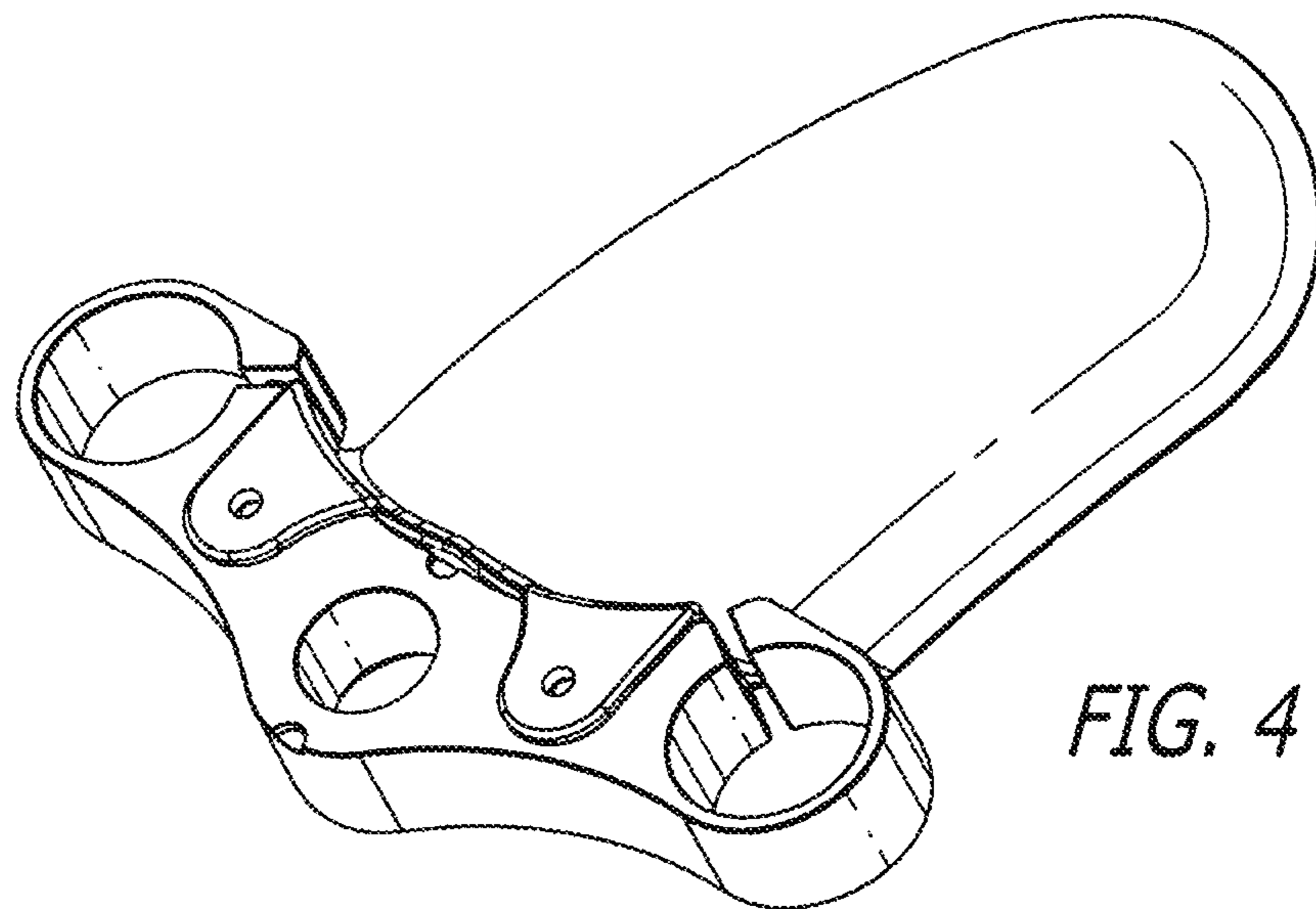


FIG. 4

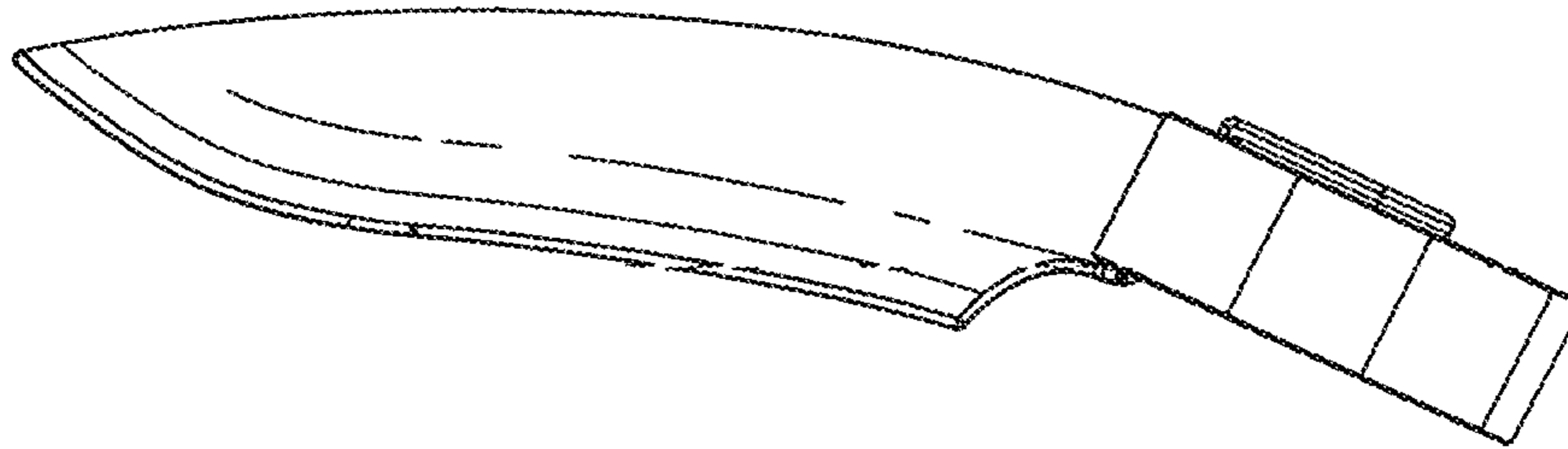


FIG. 5

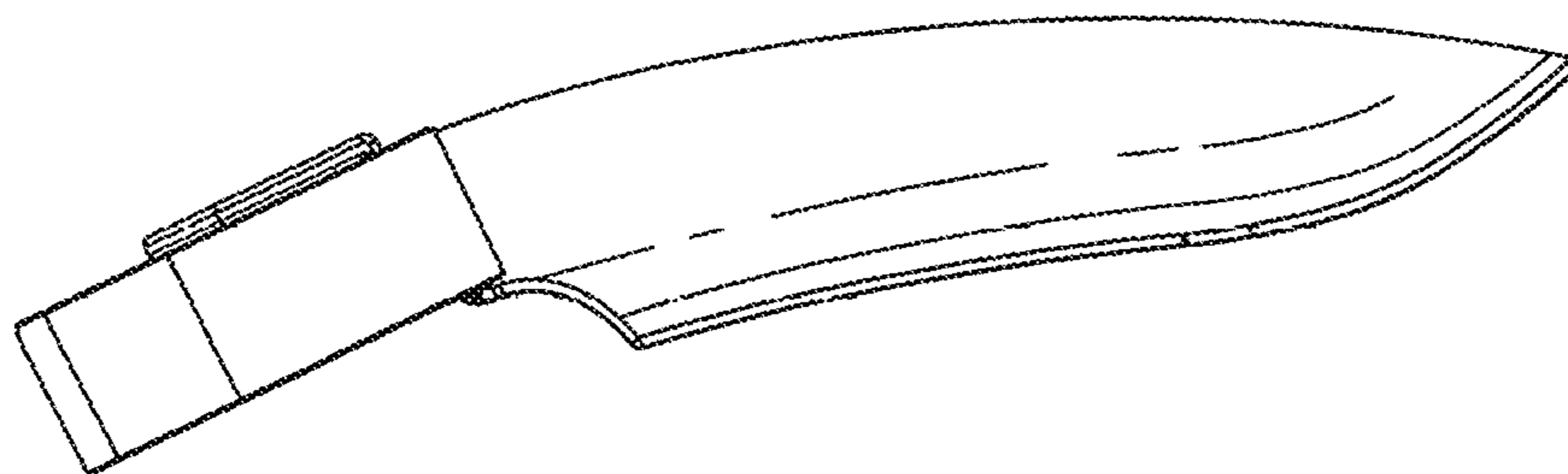


FIG. 6

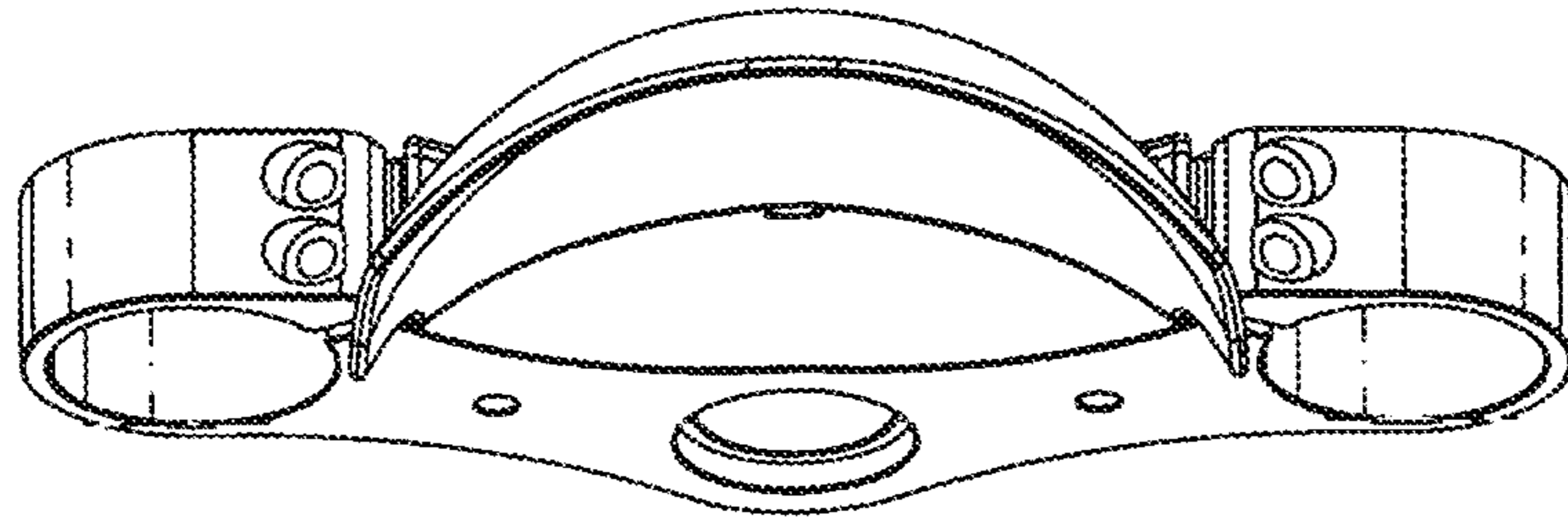


FIG. 7

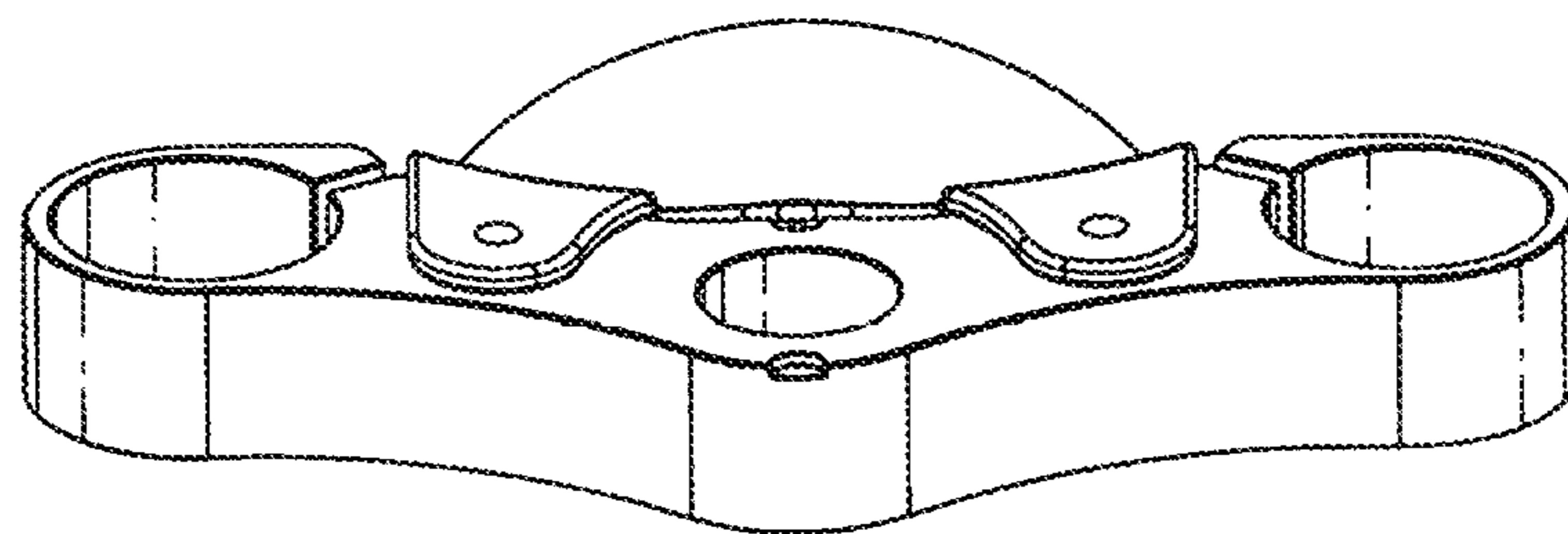


FIG. 8

FIG. 9

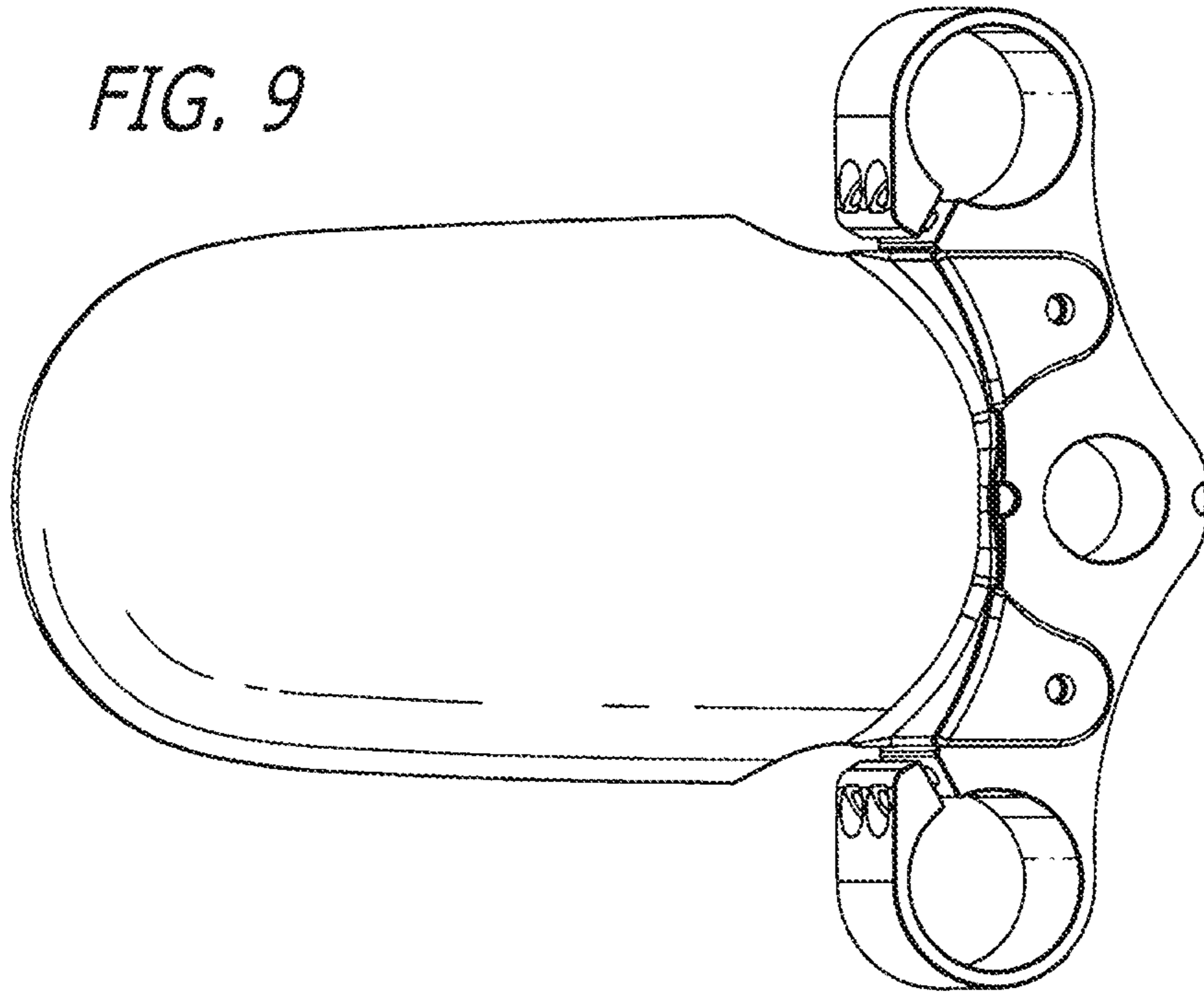


FIG. 10

