



US00D918094S

(12) **United States Design Patent** (10) **Patent No.:** **US D918,094 S**
Wu (45) **Date of Patent:** **** May 4, 2021**

(54) **BUILT-IN OUTRIGGER**
(71) Applicant: **GUANGDONG FUWA EQUIPMENT MANUFACTURING CO., LTD.,**
Guangdong (CN)
(72) Inventor: **Zhiqiang Wu,** Guangdong (CN)
(73) Assignee: **GUANGDONG FUWA EQUIPMENT MANUFACTURING CO., LTD.,**
Guangdong (CN)

(**) Term: **15 Years**

(21) Appl. No.: **29/614,388**

(22) Filed: **Aug. 18, 2017**

(51) **LOC (13) Cl.** **12-10**

(52) **U.S. Cl.**
USPC **D12/106**

(58) **Field of Classification Search**
USPC D8/355, 499; D12/106, 415; D14/251;
D15/138; D22/22, 23, 27, 134, 147;
D25/133
CPC B66C 23/78; B66F 11/044
See application file for complete search history.

(56) **References Cited**

U.S. PATENT DOCUMENTS

D269,420 S *	6/1983	McClure, Jr.	D12/106
D291,017 S *	7/1987	Magness	D12/106
D332,789 S *	1/1993	Rak	D12/415
D376,336 S *	12/1996	Unruh	D12/101
D390,167 S *	2/1998	Dionisio	D12/106
D396,669 S *	8/1998	Wilson	D12/106
D419,700 S *	1/2000	Shaw	D25/199
D516,164 S *	2/2006	Roth	D22/147
D636,297 S *	4/2011	Wu	D12/106
D744,379 S *	12/2015	Penner	D12/106
D822,148 S *	7/2018	DeBerry	D22/147
D837,272 S *	1/2019	Hewitt	D15/138
D863,113 S *	10/2019	Carrithers	D12/106
D871,973 S *	1/2020	Christensen	D12/106

D871,974 S *	1/2020	Downs	D12/106
D871,975 S *	1/2020	Downs	D12/106
D873,181 S *	1/2020	Leonardi	D12/106

FOREIGN PATENT DOCUMENTS

EP 3628553 A1 * 4/2020 B60S 9/02

* cited by examiner

Primary Examiner — Michael C Stout

Assistant Examiner — Fritzgerald L Butac

(74) *Attorney, Agent, or Firm* — Yue (Robert) Xu; Apex Attorneys at Law, LLP

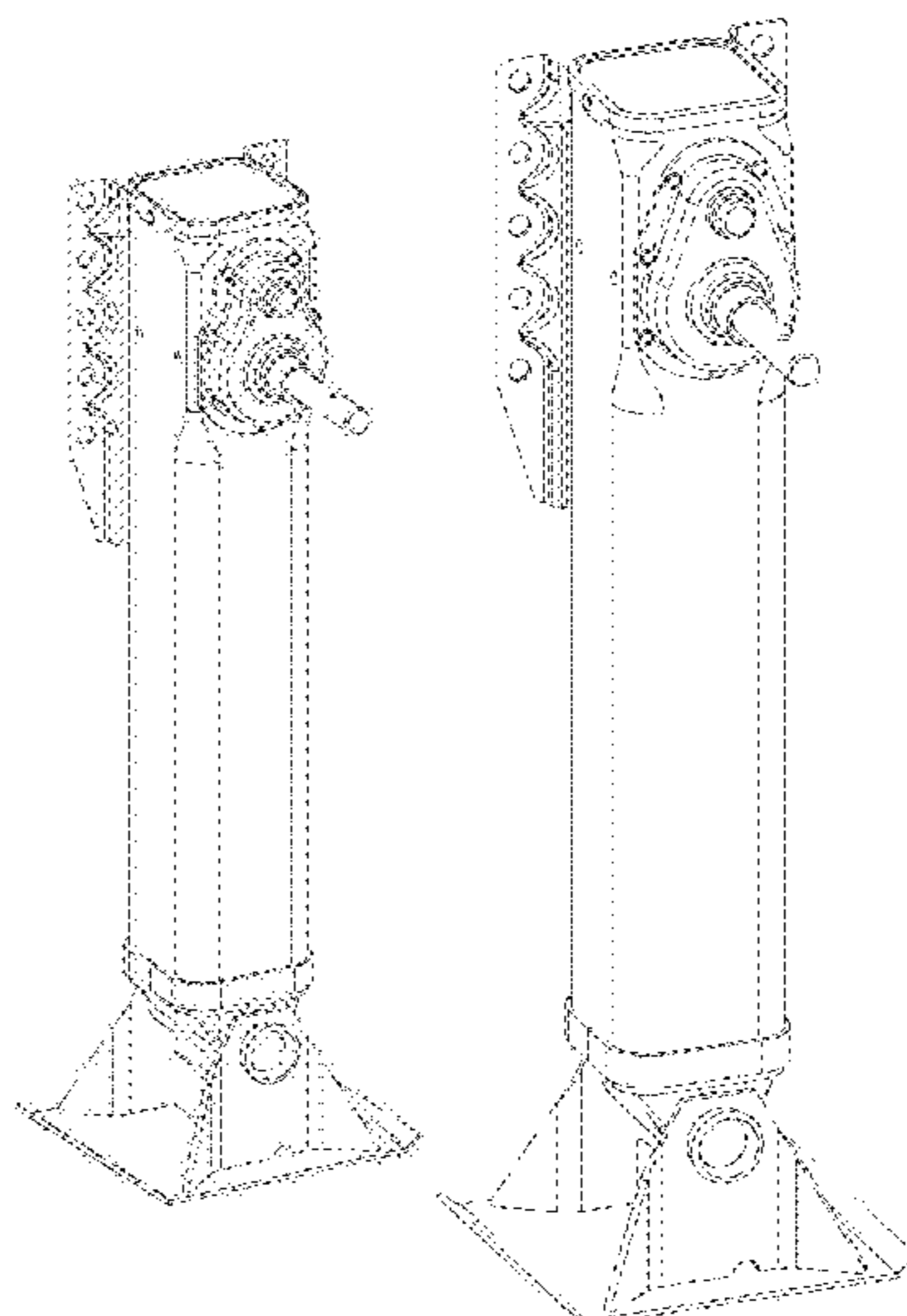
(57) **CLAIM**

The ornamental design for a built-in outrigger, as shown and described.

DESCRIPTION

FIG. 1 is a front view of a built-in outrigger according to an embodiment, showing my new design; FIG. 2 is a rear view thereof; FIG. 3 is a left view thereof; FIG. 4 is a right view thereof; FIG. 5 is an enlarged top view thereof; FIG. 6 is an enlarged bottom view thereof; FIG. 7 is a front perspective view thereof; FIG. 8 is a rear perspective view thereof; FIG. 9 is a front view of a built-in outrigger according to another embodiment, showing my new design; FIG. 10 is a rear view thereof; FIG. 11 is a left view thereof; FIG. 12 is a right view thereof; FIG. 13 is an enlarged top view thereof; FIG. 14 is an enlarged bottom view thereof; FIG. 15 is a front perspective view thereof; and, FIG. 16 is a rear perspective view thereof. The broken lines present in the figures are included for the purpose of illustrating portions of the built-in outrigger which form no part of the claimed design.

1 Claim, 16 Drawing Sheets



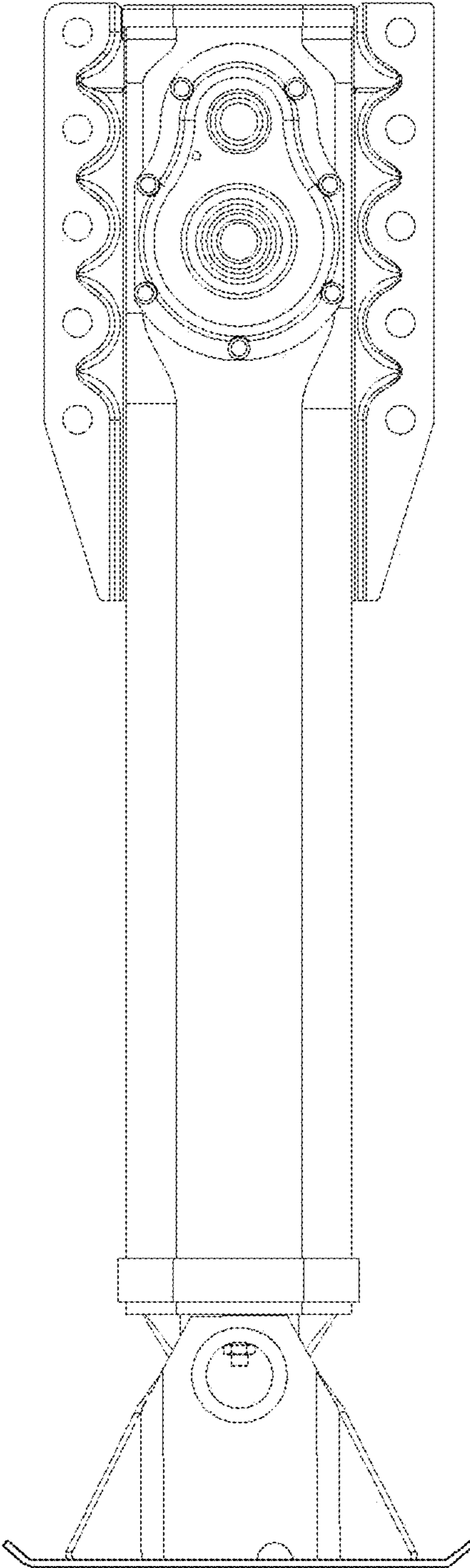


Figure 1

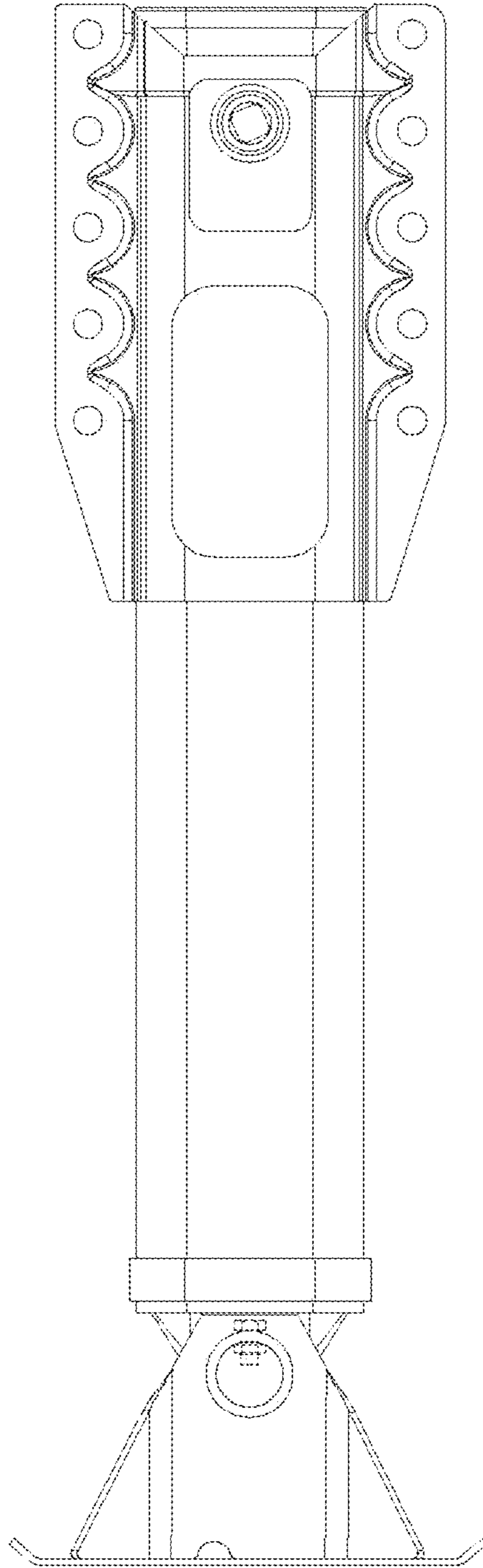


Figure 2

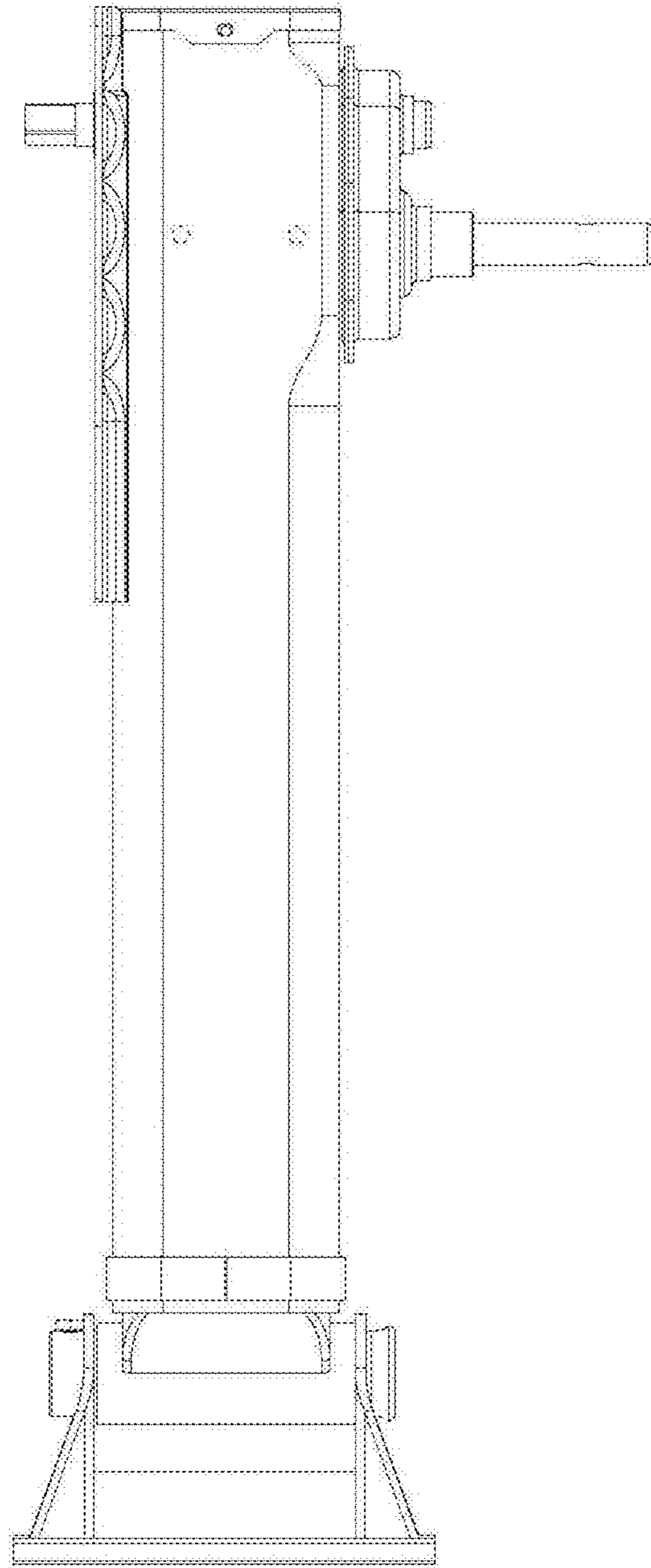


Figure 3

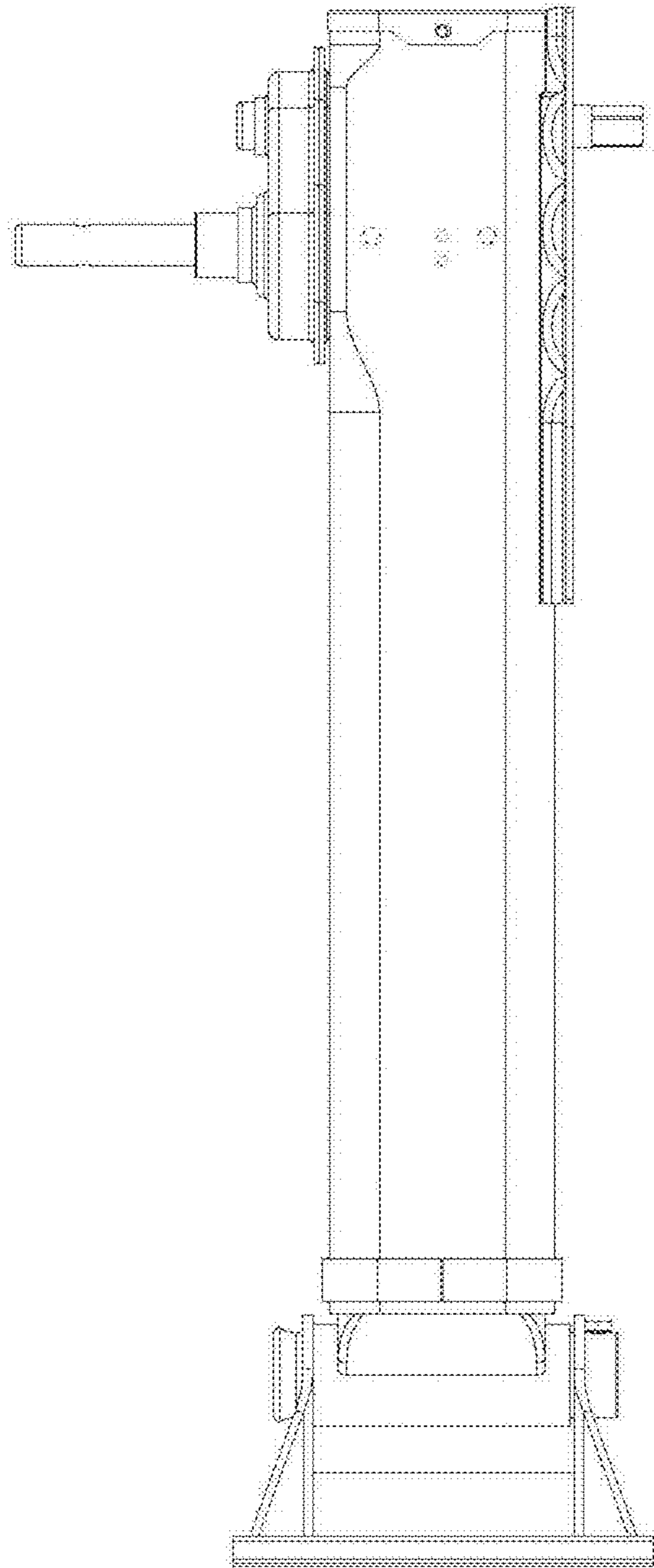


Figure 4

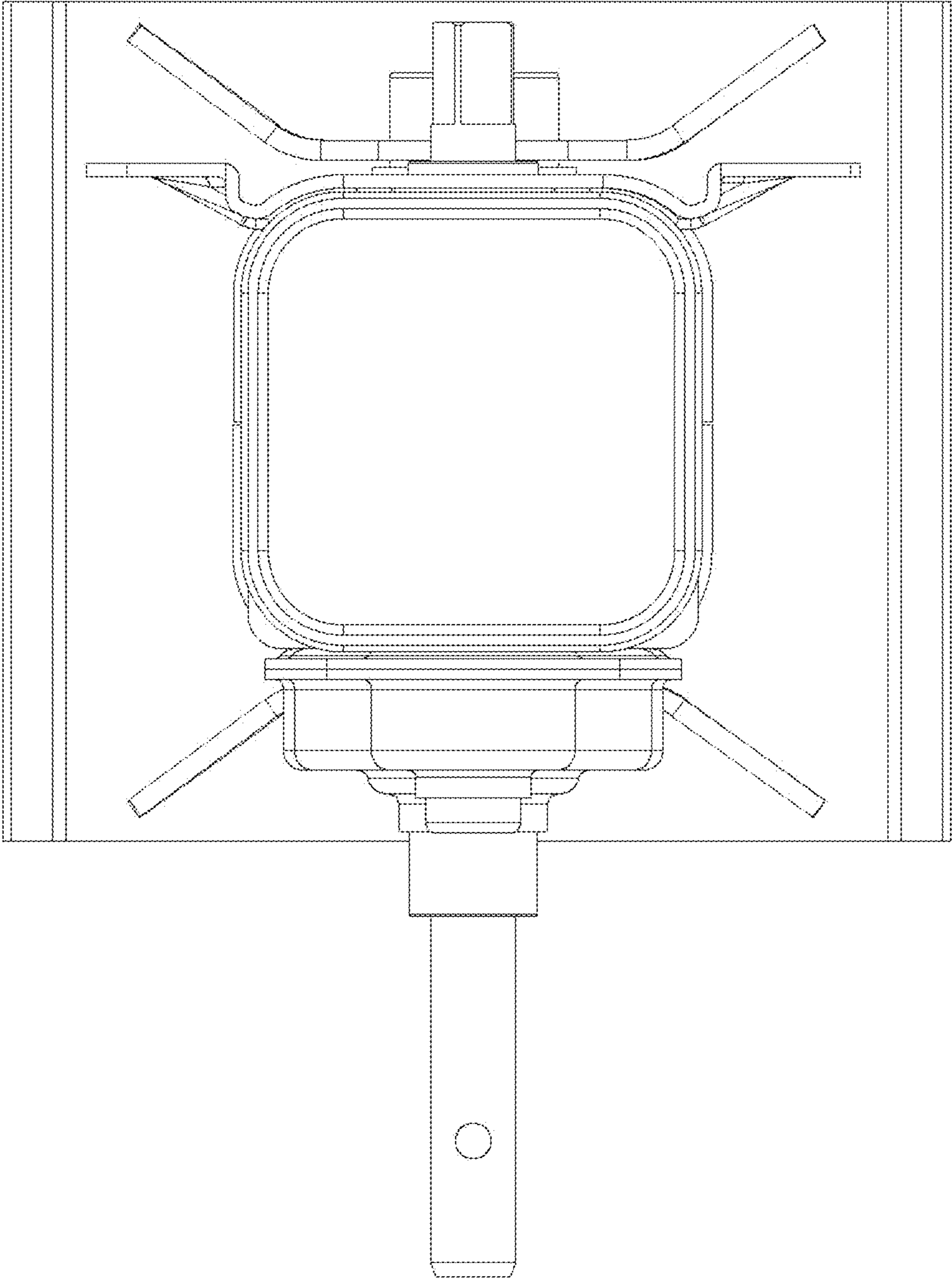


Figure 5

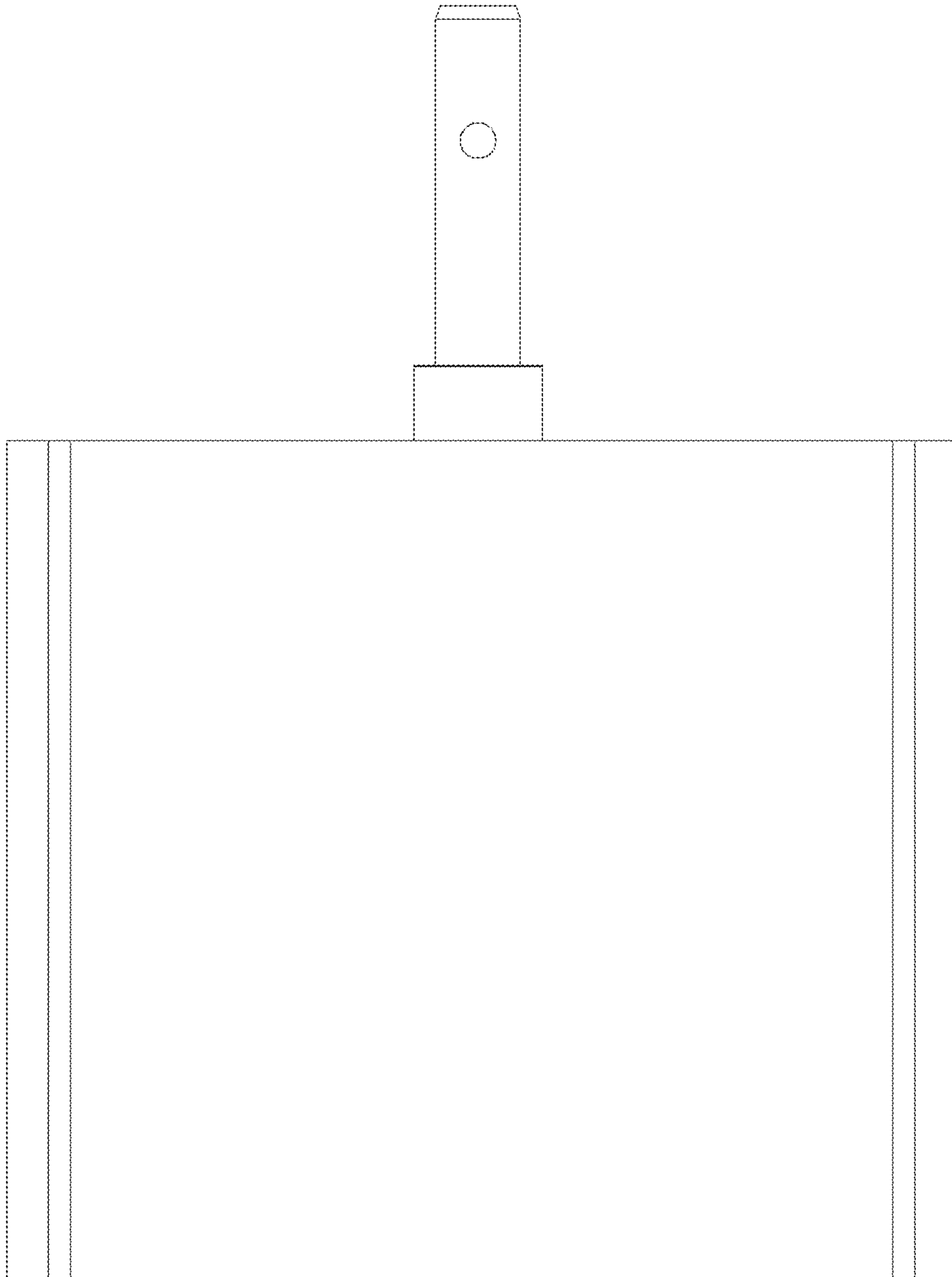


Figure 6

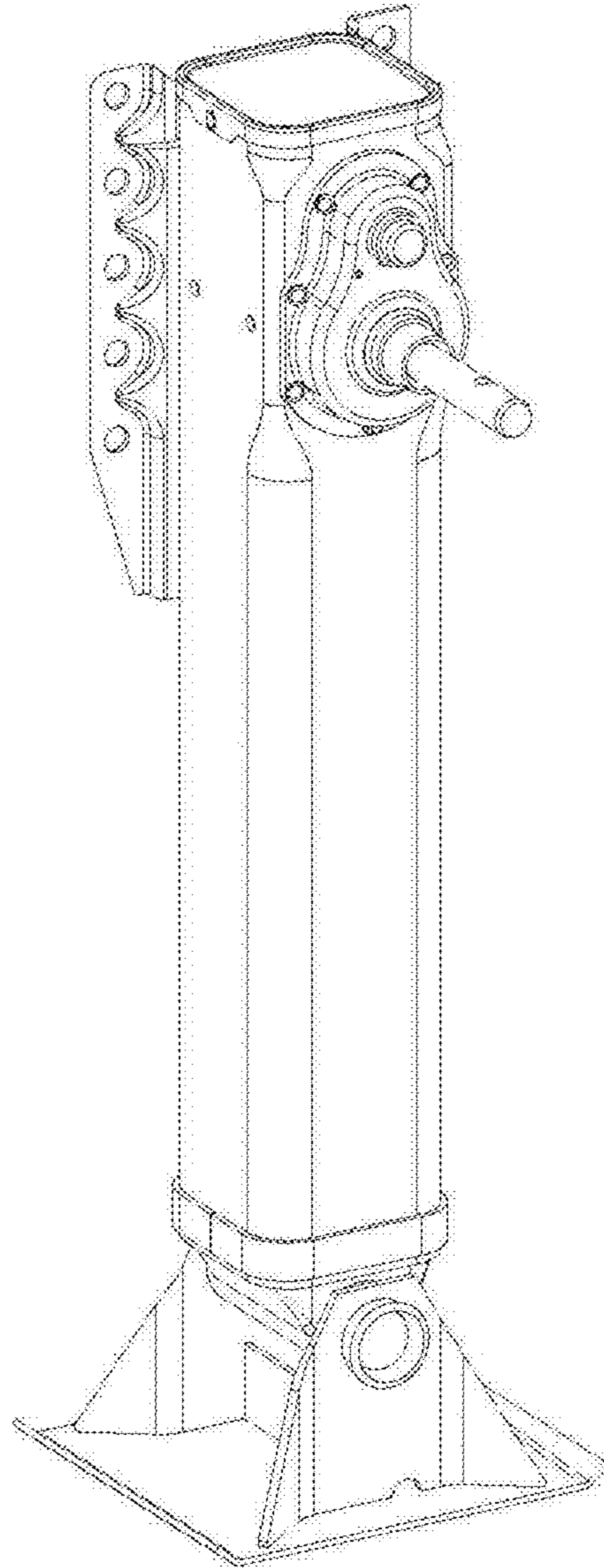


Figure 7

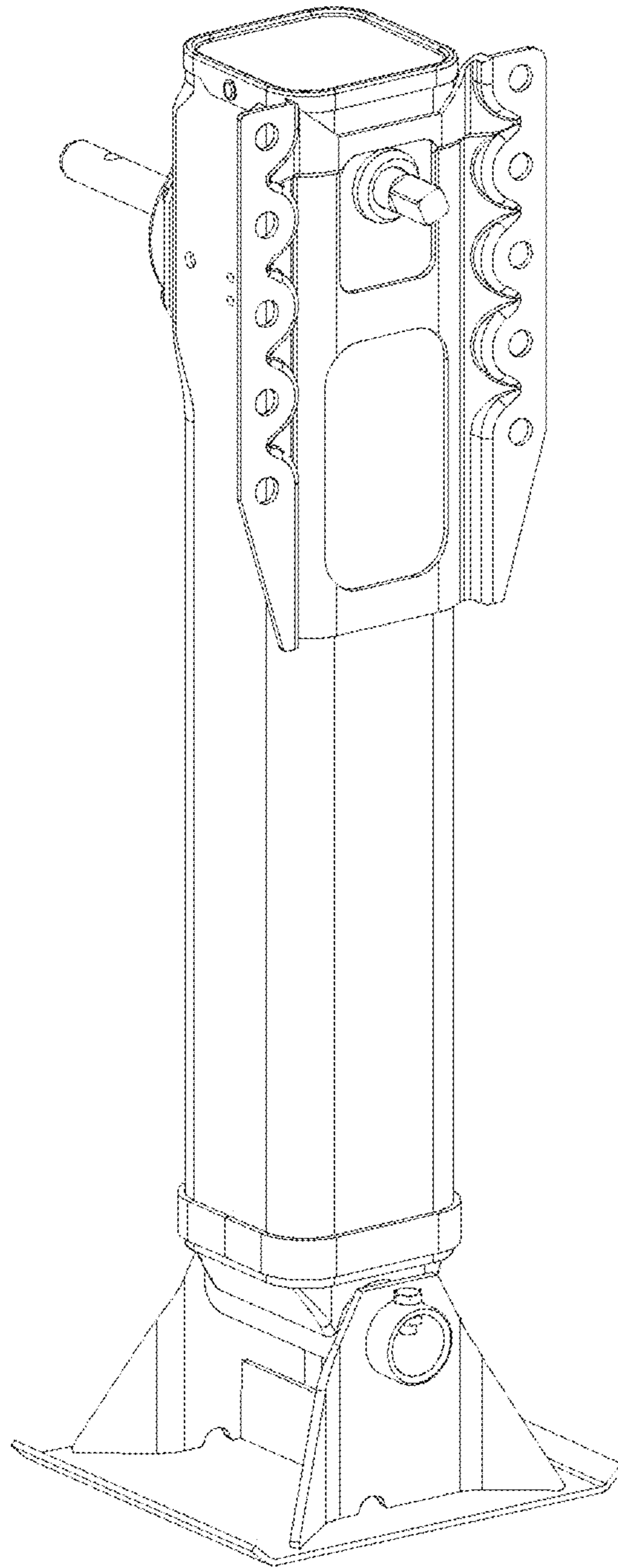


Figure 8

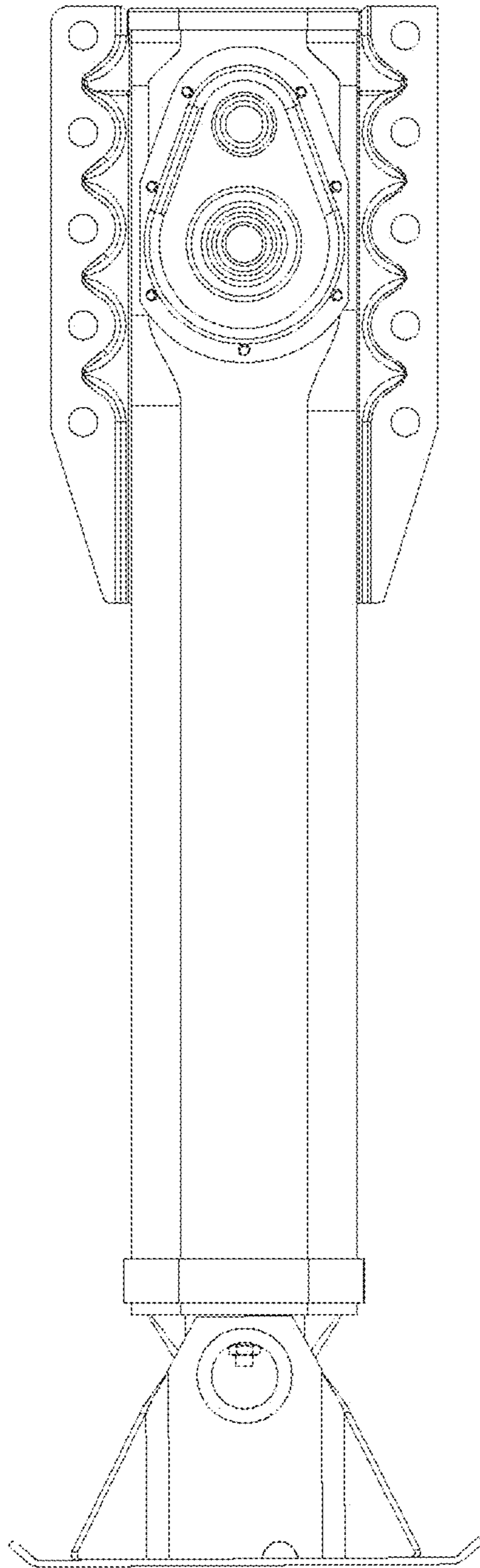


Figure 9

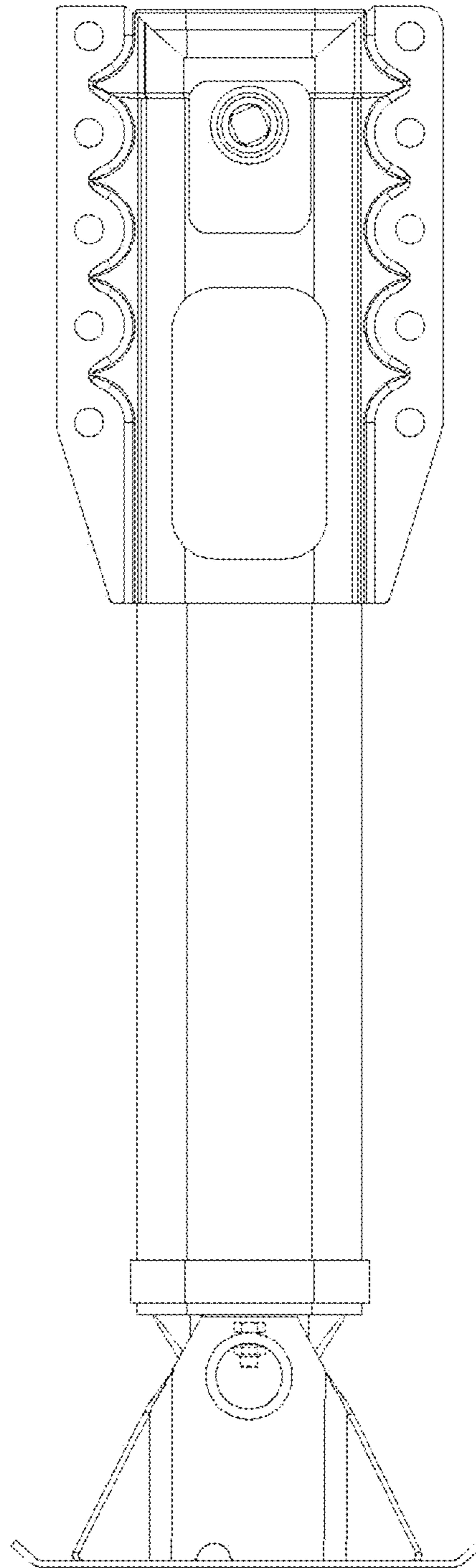


Figure 10

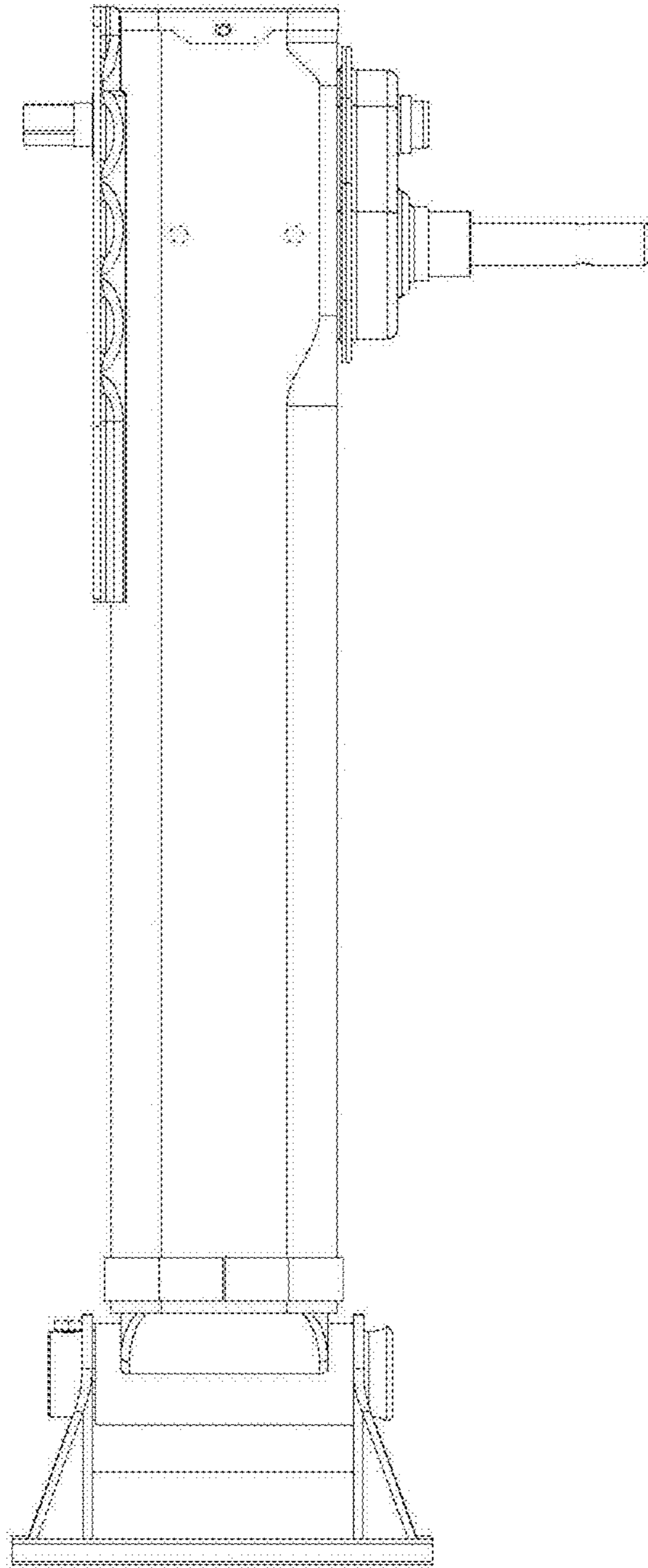


Figure 11

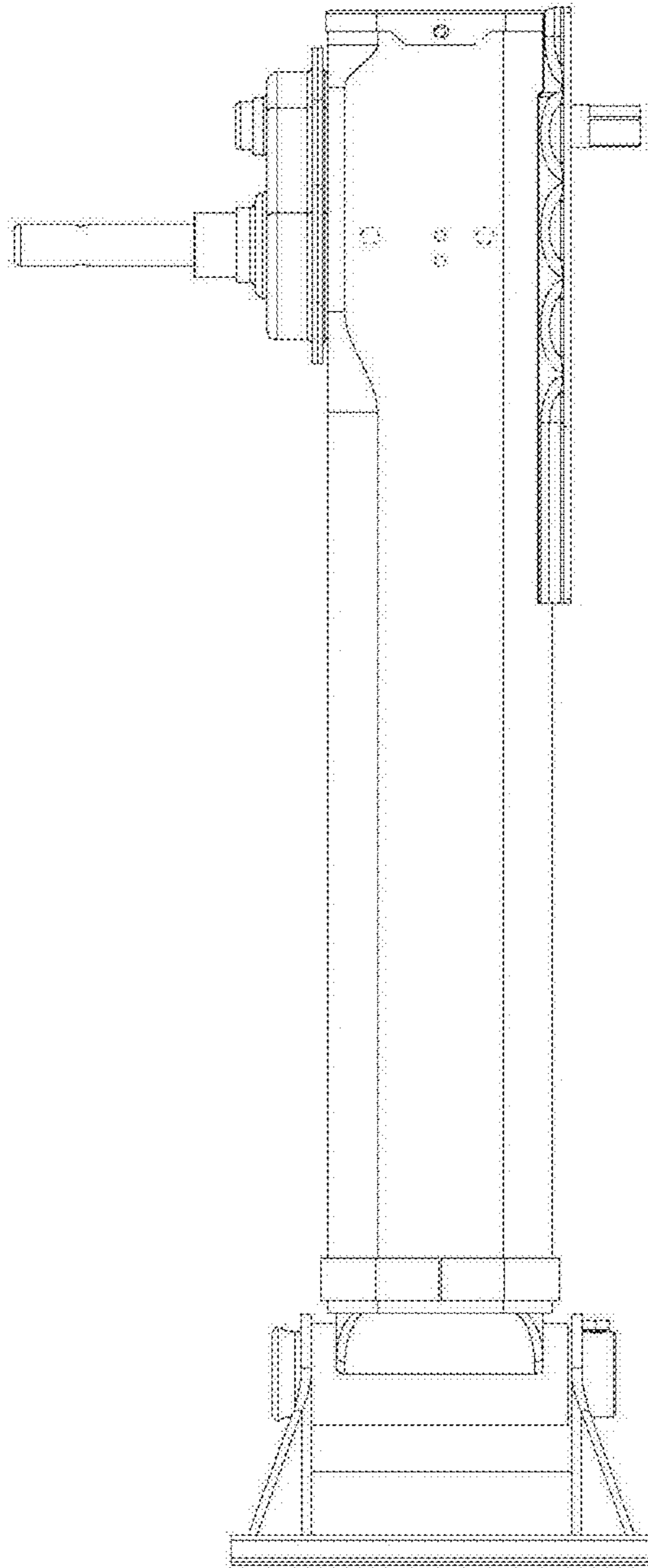


Figure 12

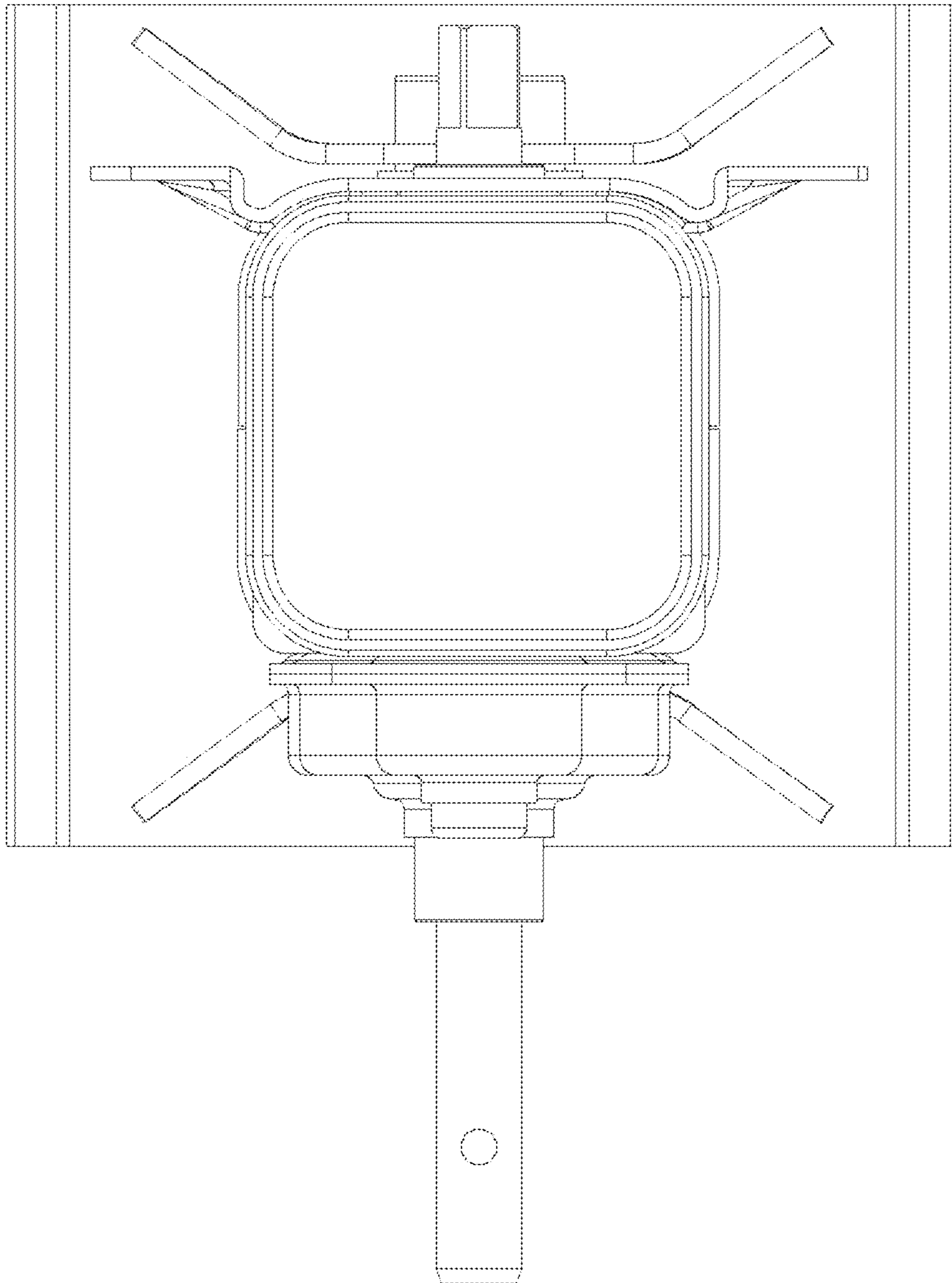


Figure 13

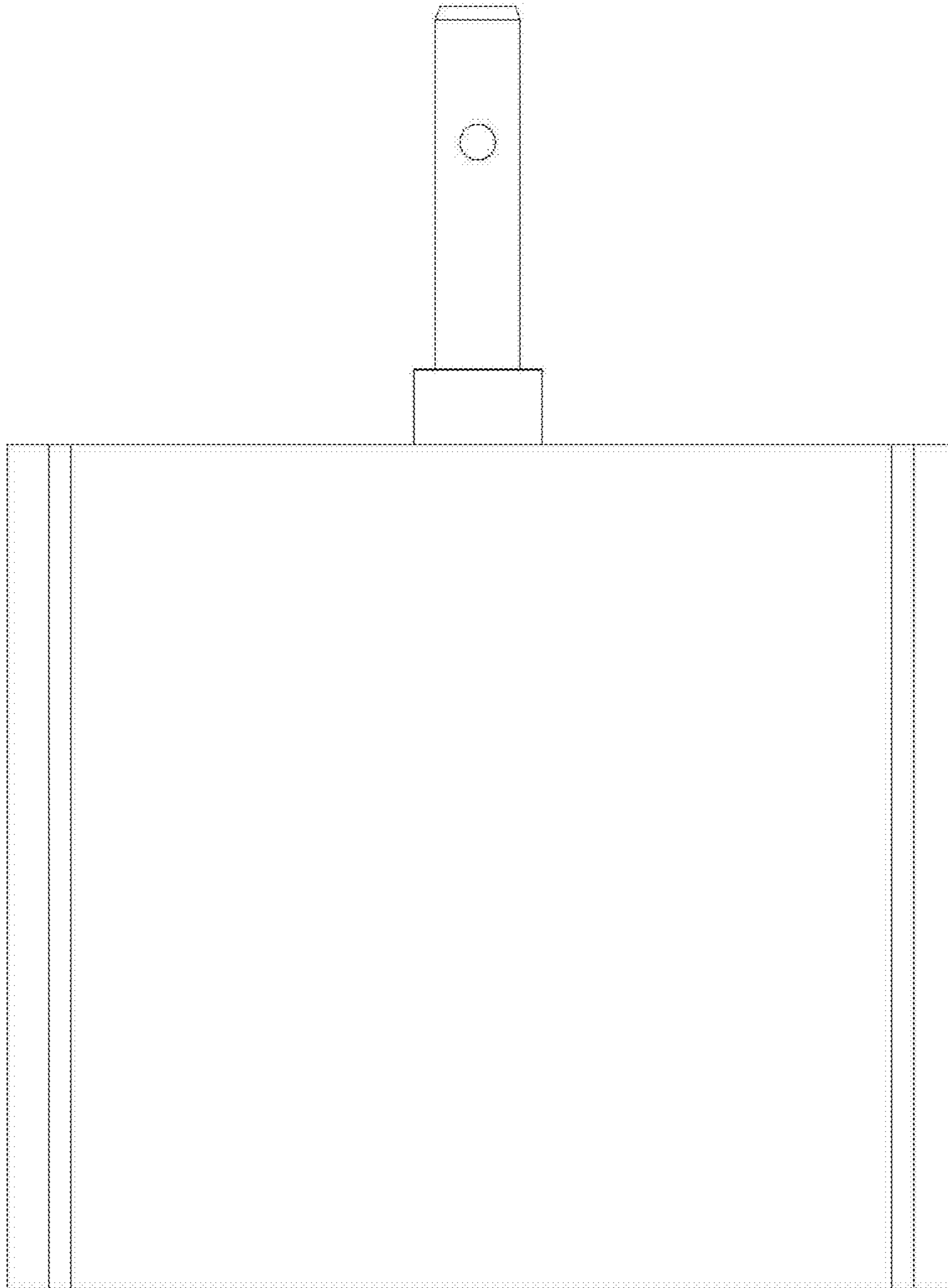


Figure 14

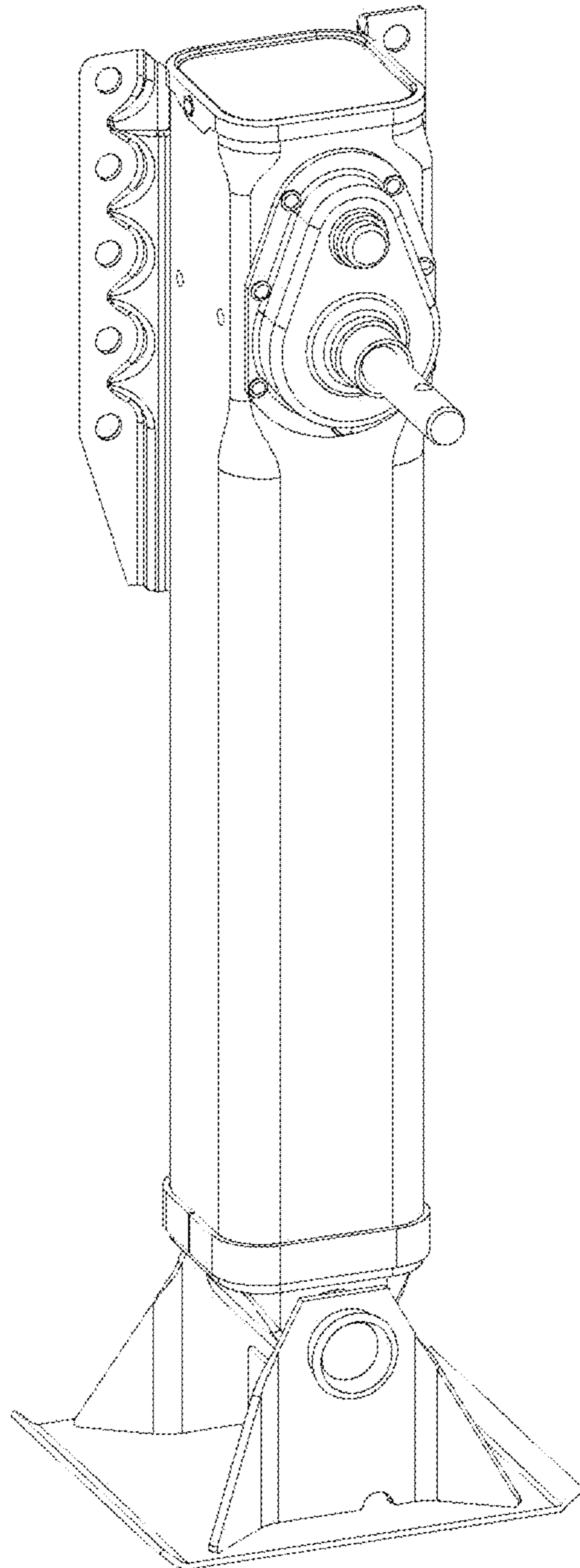


Figure 15

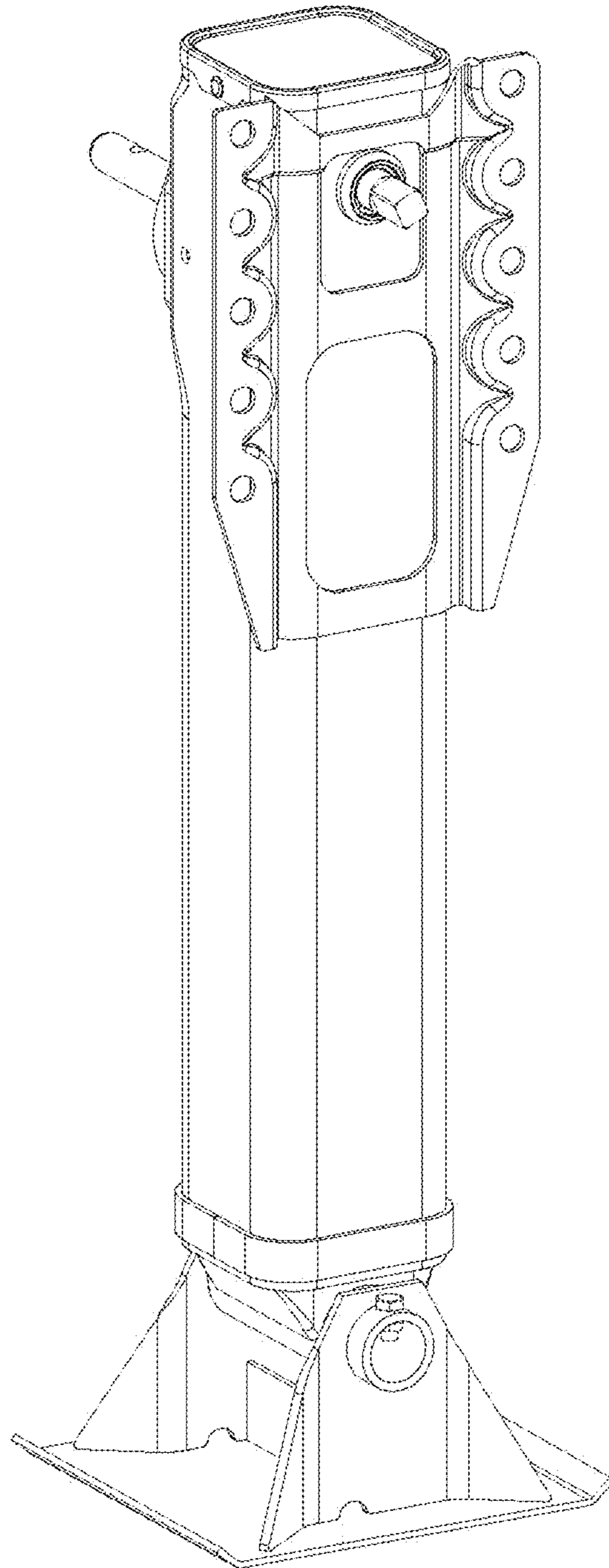


Figure 16