



US00D918093S

(12) **United States Design Patent**  
**Torone**

(10) **Patent No.:** **US D918,093 S**

(45) **Date of Patent:** **\*\* May 4, 2021**

(54) **MOTOR CAR**

(71) Applicant: **ARES PERFORMANCE AG**, Baar (CH)

(72) Inventor: **Arnaldo Torone**, Baar (CH)

(73) Assignee: **ARES PERFORMANCE AG**, Baar (CH)

(\*\*) Term: **15 Years**

(21) Appl. No.: **35/507,715**

(22) Filed: **Jun. 3, 2019**

(80) **Hague Agreement Data**

Int. Filing Date: **Jun. 3, 2019**

Int. Reg. No.: **DM/203806**

Int. Reg. Date: **Jun. 3, 2019**

Int. Reg. Pub. Date: **Nov. 8, 2019**

(30) **Foreign Application Priority Data**

Dec. 6, 2018 (IT) ..... 402018000003368

(51) **LOC (13) Cl.** ..... **12-08**

(52) **U.S. Cl.**  
USPC ..... **D12/92**

(58) **Field of Classification Search**  
USPC ..... D12/86, 90, 91, 92, 98; D21/424, 433, D21/434  
CPC ..... B62D 25/00; B62D 25/06; B62D 33/00; B62D 35/00  
See application file for complete search history.

(56) **References Cited**

**U.S. PATENT DOCUMENTS**

D680,030 S \* 4/2013 Rodriguez ..... D12/92  
D703,585 S \* 4/2014 Scheinhutte ..... D12/92

D710,260 S \* 8/2014 Villarreal ..... D12/92  
9,073,410 B2 \* 7/2015 Bruant ..... B60J 7/028  
D738,259 S \* 9/2015 Ohnuma ..... D12/92  
D763,737 S \* 8/2016 Varga ..... D12/92  
D786,134 S \* 5/2017 Varga ..... D12/92  
D790,405 S \* 6/2017 Christensen ..... D12/92  
9,725,020 B2 \* 8/2017 Fainello ..... B60N 2/882  
D796,998 S \* 9/2017 Christensen ..... D12/92  
D797,606 S \* 9/2017 Oh ..... D12/92  
D808,302 S \* 1/2018 Oh ..... D12/92  
D809,971 S \* 2/2018 Lee ..... D12/92  
D809,972 S \* 2/2018 Fisker ..... D12/92  
D825,388 S \* 8/2018 Karras ..... D12/92  
D831,542 S \* 10/2018 Russo ..... D12/92  
D836,031 S \* 12/2018 Lim ..... D12/92  
D840,874 S \* 2/2019 Fisker ..... D12/92  
D845,174 S \* 4/2019 Iwao ..... D12/92  
D847,028 S \* 4/2019 Loeb ..... D12/92

\* cited by examiner

*Primary Examiner* — Darlington Ly

(74) *Attorney, Agent, or Firm* — Merchant & Gould P.C.

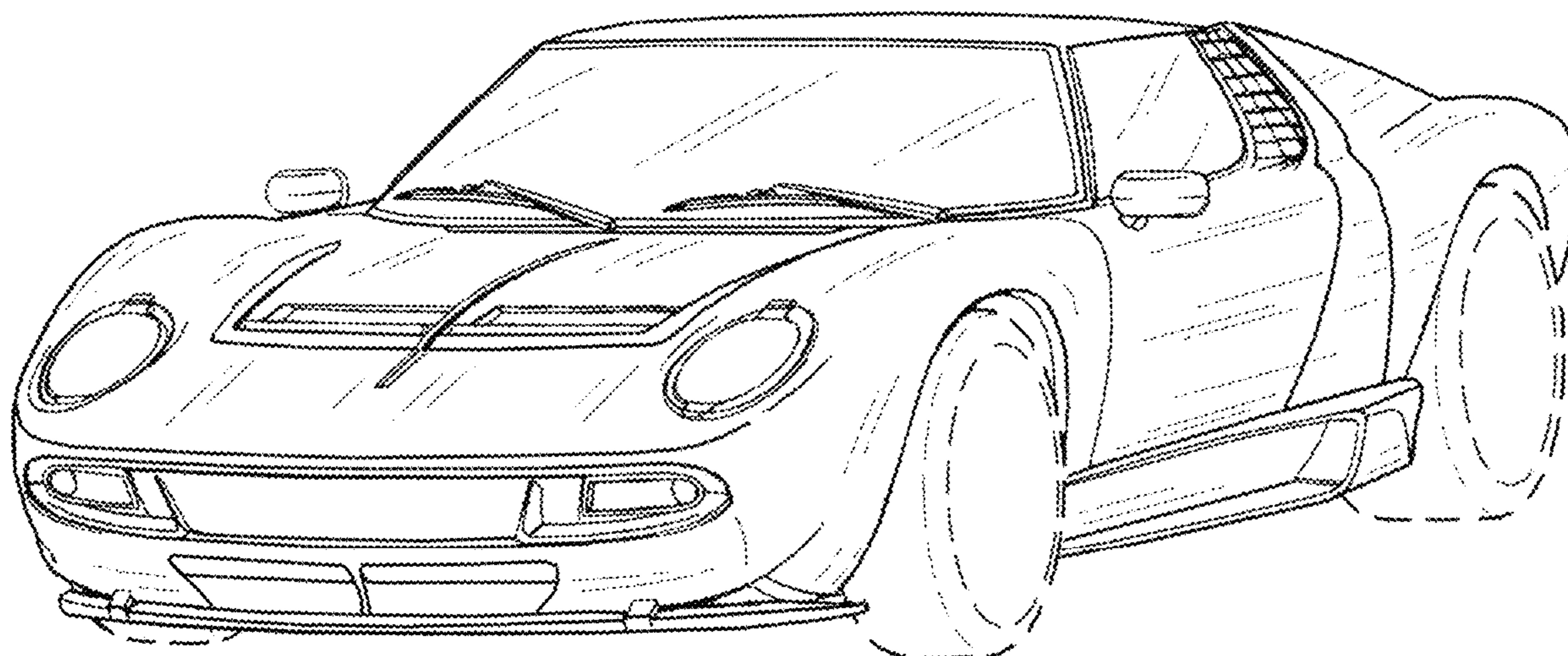
(57) **CLAIM**

The ornamental design for a motor car, as shown and described.

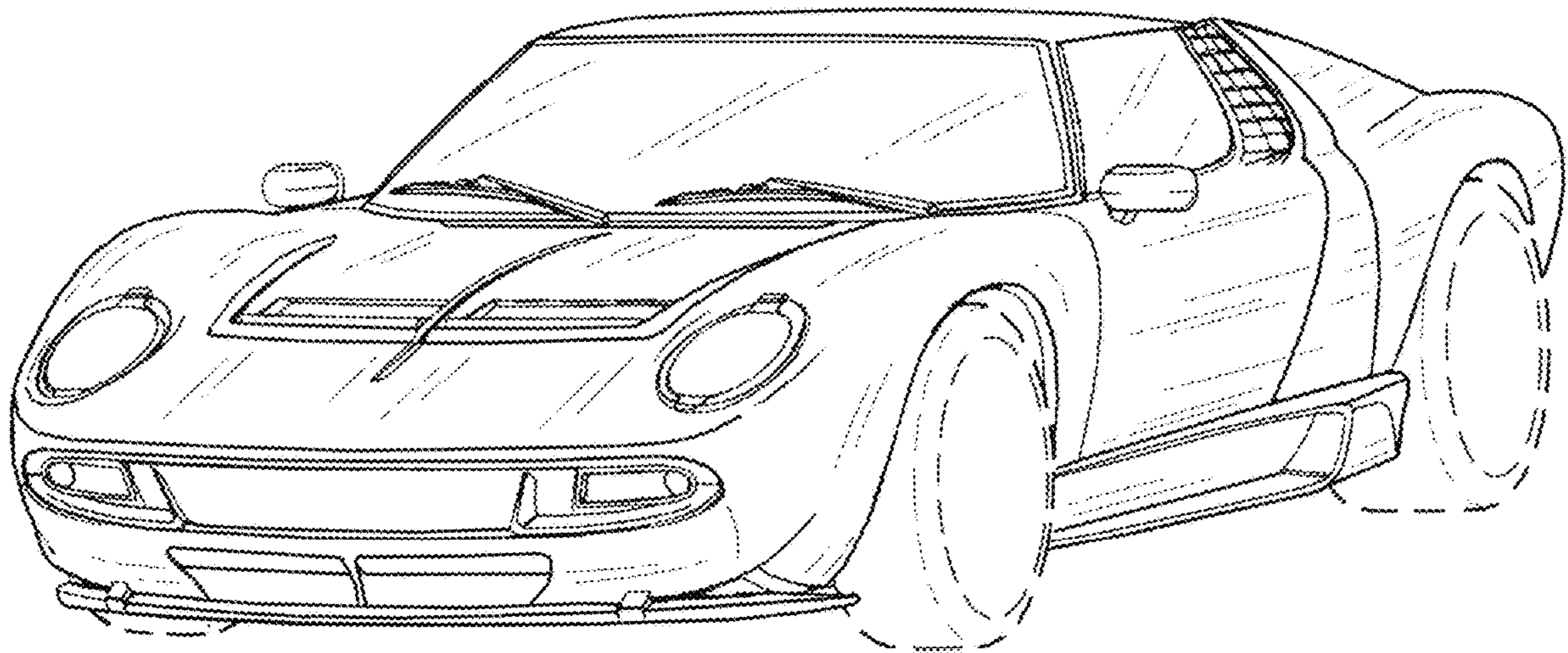
**DESCRIPTION**

1. Motor car  
The design regards motor cars;  
fig. 1.1 is a front perspective view of the product;  
fig. 1.2 is a rear perspective view thereof;  
fig. 1.3 is a left view thereof;  
fig. 1.4 is a front view thereof;  
fig. 1.5 is a rear view thereof; and  
fig. 1.6 is a top view thereof.  
The broken lines in the drawings illustrate portions of the motor car that form no part of the claimed design.

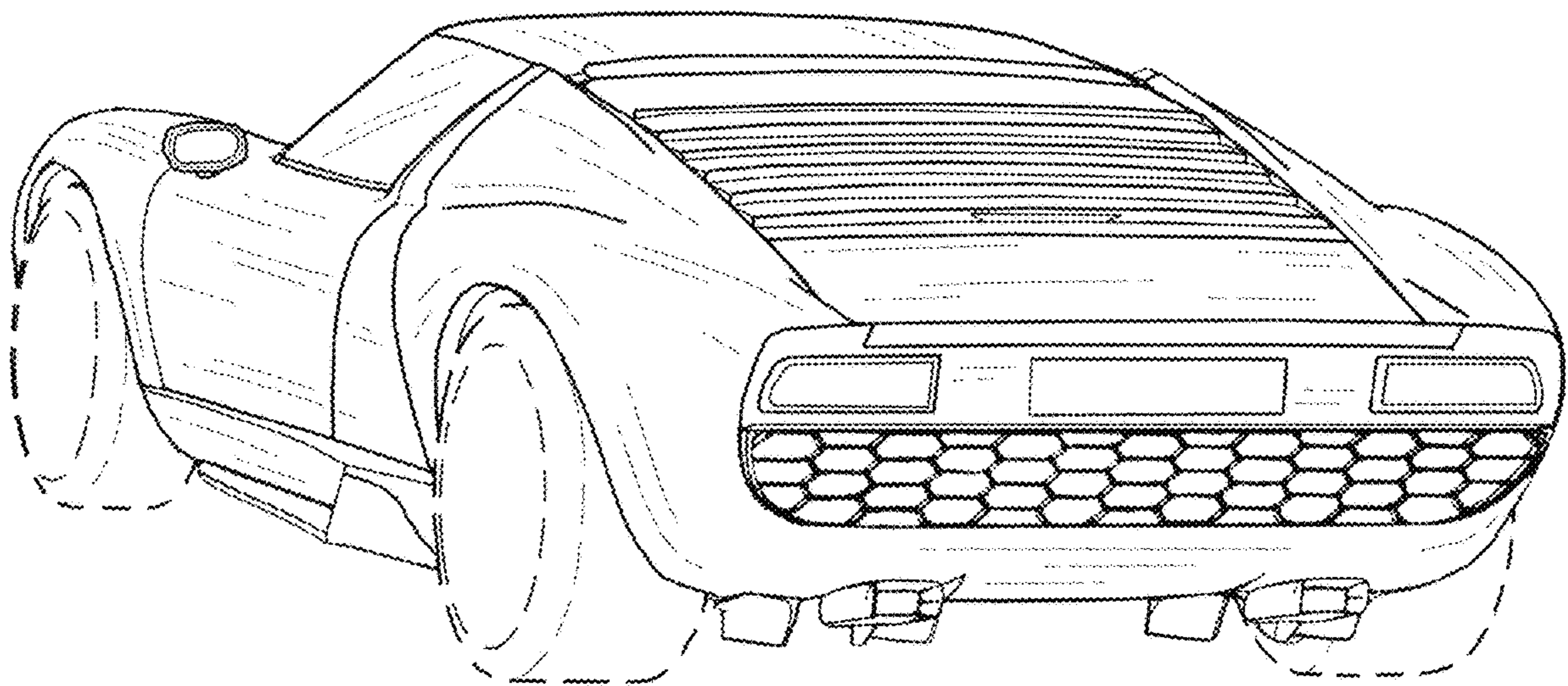
**1 Claim, 6 Drawing Sheets**



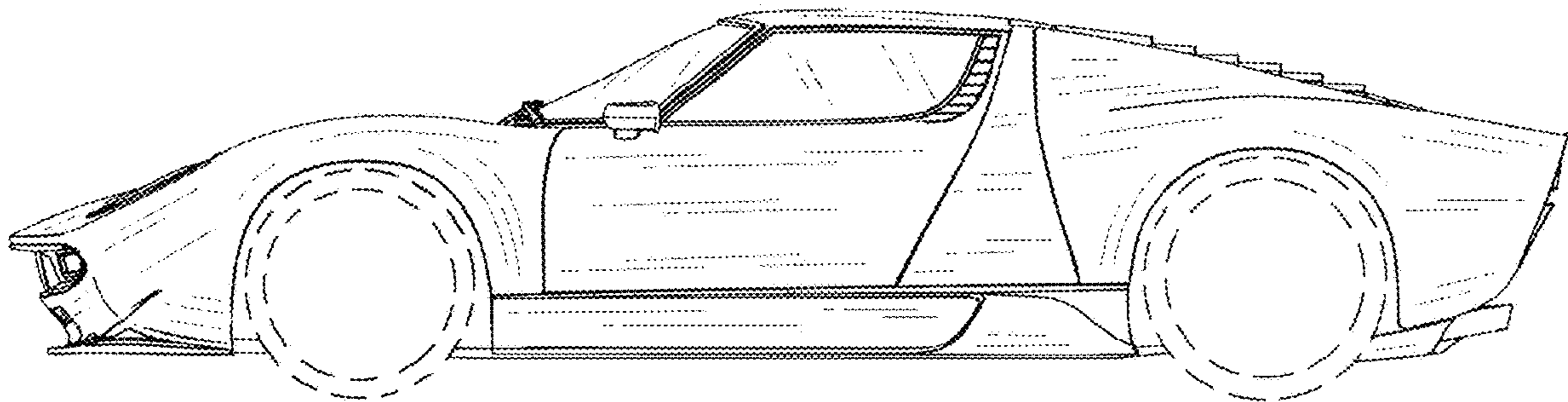
1.1



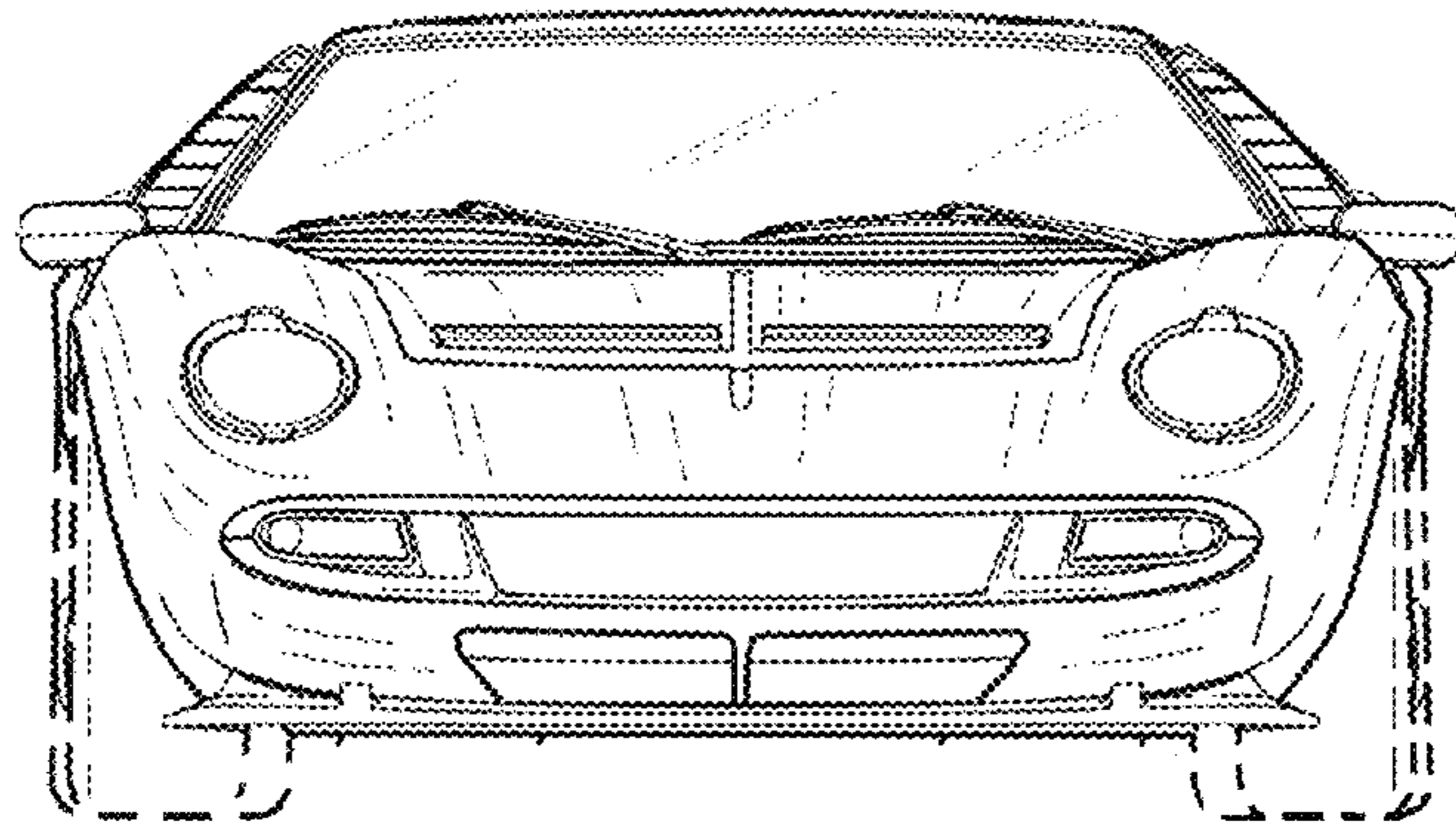
1.2



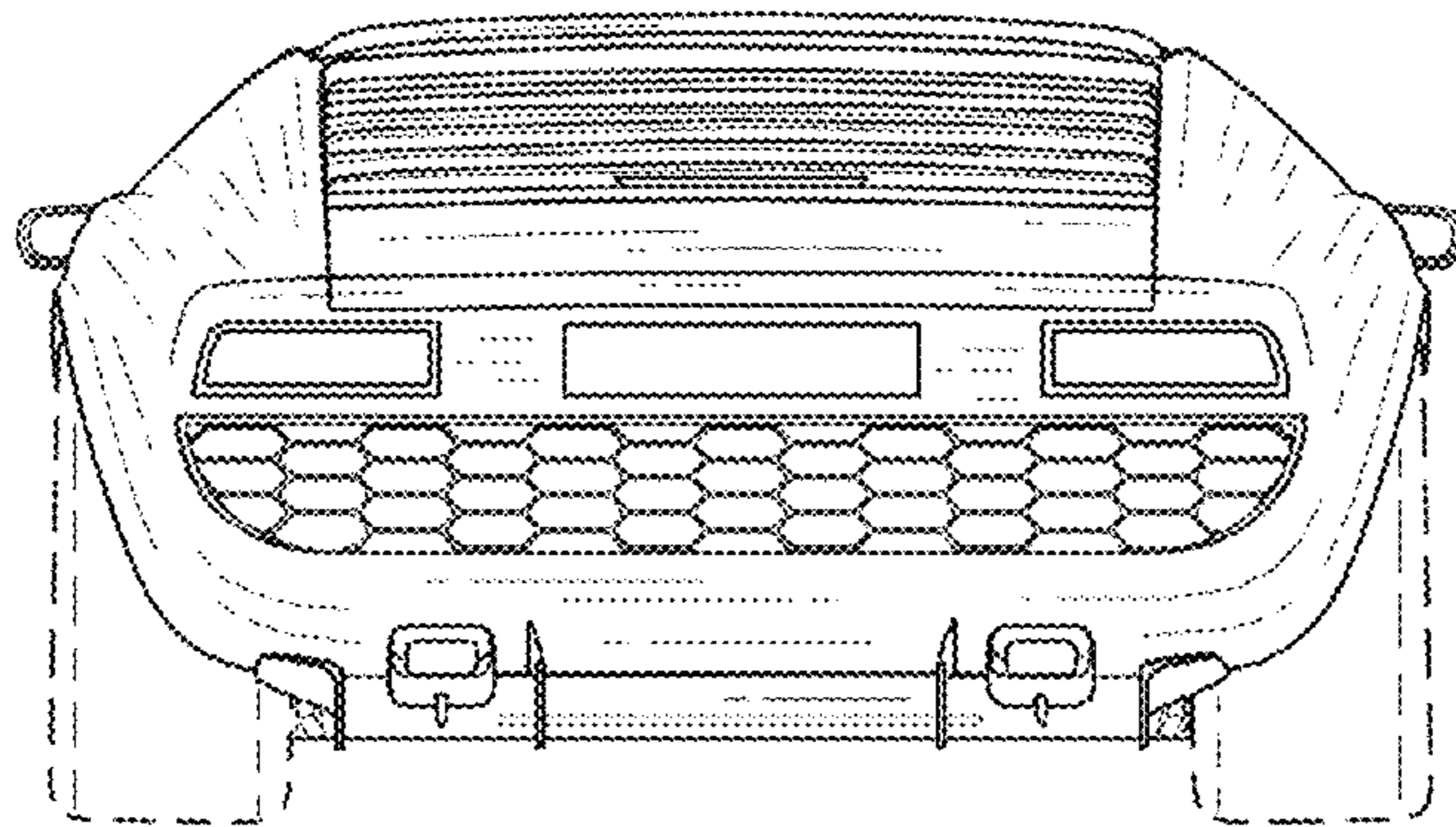
1.3



1.4



1.5



1.6

