



US00D918086S

(12) **United States Design Patent**
Midolo

(10) **Patent No.:** **US D918,086 S**
(45) **Date of Patent:** **** May 4, 2021**

(54) **BRACELET FASTENER**
(71) Applicant: **David Midolo**, Gales Ferry, CT (US)
(72) Inventor: **David Midolo**, Gales Ferry, CT (US)
(**) Term: **15 Years**
(21) Appl. No.: **29/665,318**
(22) Filed: **Oct. 2, 2018**
(51) **LOC (13) Cl.** **02-07**
(52) **U.S. Cl.**
USPC **D11/206**
(58) **Field of Classification Search**
USPC D11/200, 201, 206, 204, 202, 213, 207,
D11/238, 241, 86, 87, 88, 99, 115, 184;
D9/631, 982
CPC A44B 9/00; A44B 9/02; A44B 9/04; A44B
9/06; A44B 9/12; A44B 9/14; A44B 9/16;
A44B 9/18; A44B 9/20
See application file for complete search history.

2,941,269 A * 6/1960 Keller A44B 9/12
24/709.8
3,328,855 A * 7/1967 Benoit A44B 9/12
24/710
3,744,099 A * 7/1973 McCoy A44B 9/14
24/708.9
6,438,995 B1 8/2002 Kuptzin
D776,567 S * 1/2017 Kelly D11/206

OTHER PUBLICATIONS

Amazon, Top Plaza Safety Pin, posted Dec. 29, 2016, [online],
[visited May 11, 2020]. Internet, <URL: https://www.amazon.com/Top-Plaza-Rhinstone-Accented-Breastpin/dp/B01MZ4GMAF?ref=fsclp_pl_dp_3> (Year: 2016).*
Amazon, Zhichengbosi Vintage safety pins, posted Sep. 21, 2017,
[online], [visited May 11, 2020]. Internet, <URL: <https://www.amazon.co.uk/Zhichengbosi-Vintage-Safety-Pattern-Clothes/dp/B075T6N9B1/ref=>> (Year: 2017).*

(Continued)

Primary Examiner — Sheryl Lane
Assistant Examiner — Samantha N Wood
(74) *Attorney, Agent, or Firm* — Vitale, Vickrey, Niro,
Solon & Gasey LLP

(56) **References Cited**

U.S. PATENT DOCUMENTS

460,296 A * 9/1891 Wattie A44B 9/02
24/706
D21,690 S * 7/1892 Fuchs D11/63
921,684 A * 5/1909 Farmer A44B 9/14
24/710
D41,780 S * 9/1911 Mulcahy D11/207
1,145,003 A * 7/1915 De Long A44B 9/14
24/710
1,415,476 A * 5/1922 Puc A44B 9/14
24/710
1,565,397 A * 12/1925 Richardson A44B 9/14
24/710.1
1,623,532 A * 4/1927 Dudas A44B 9/14
24/710
D102,113 S * 11/1936 Levine D2/631

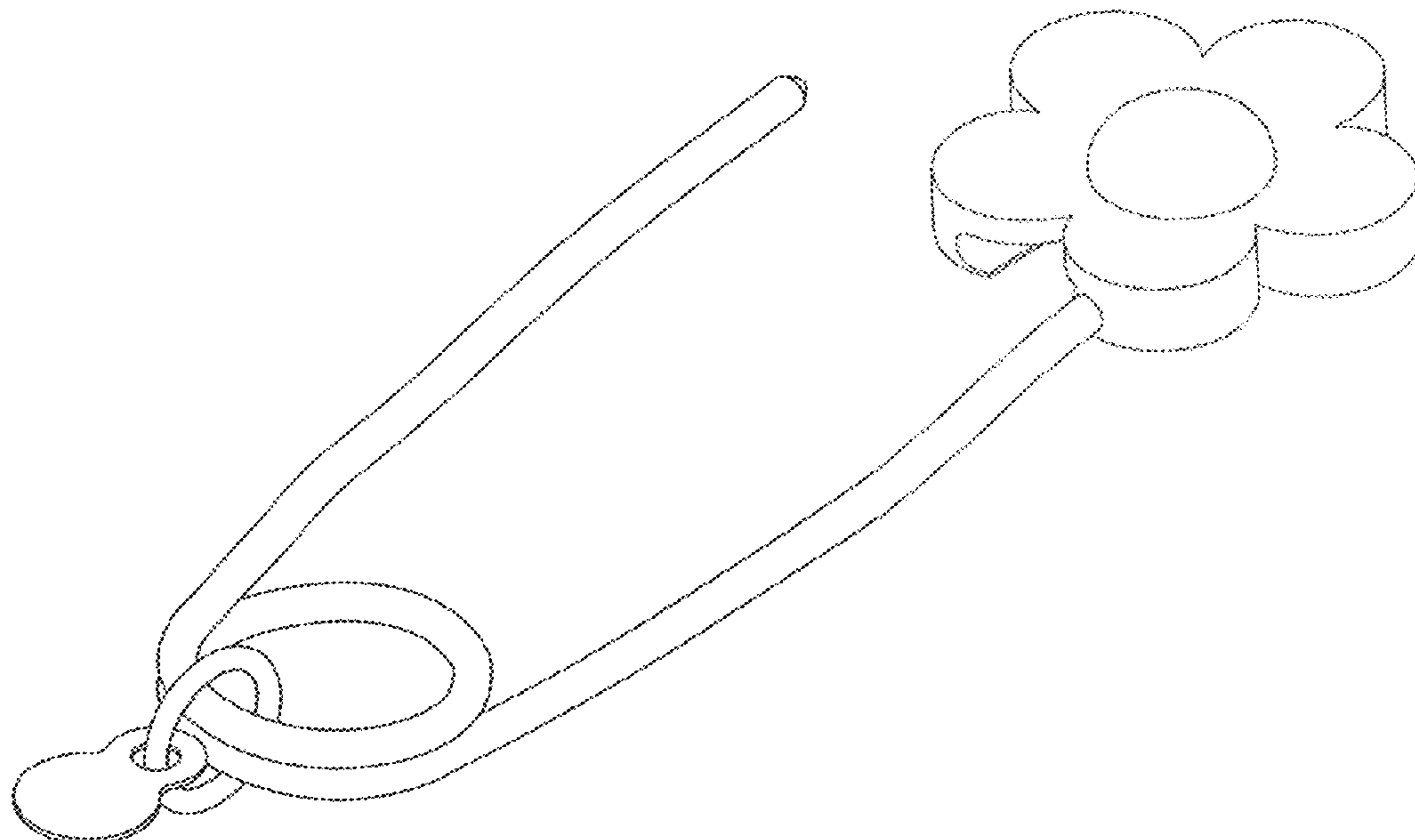
(57) **CLAIM**

I claim the ornamental design for a bracelet fastener, as shown and described.

DESCRIPTION

FIG. 1 is a top view of a bracelet fastener;
FIG. 2 is a bottom view of thereof;
FIG. 3 is a top view of the bracelet fastener in an open position;
FIG. 4 is a bottom view thereof; and,
FIG. 5 is a perspective view thereof.

1 Claim, 5 Drawing Sheets



(56)

References Cited

OTHER PUBLICATIONS

Amazon, Kissfriday Cat Head pins, posted Jun. 6, 2018, [online], [visited May 11, 2020]. Internet, <URL: <https://www.amazon.co.uk/KISSFRIDAY-Cartoon-Animal-Children-T-Shirt/dp/B07FB9SN95/ref=>> (Year: 2018).*

iStockphoto, Beautiful Cute Baby Safety Pin, uploaded Mar. 14, 2018, [online], [visited May 11, 2020]. Internet, <URL: <https://www.istockphoto.com/photo/beautiful-cute-baby-kid-safety-pin-brooch-jewelry-with-the-safety-pin-design-features-gm931702930-255380501>> (Year: 2018).*

* cited by examiner

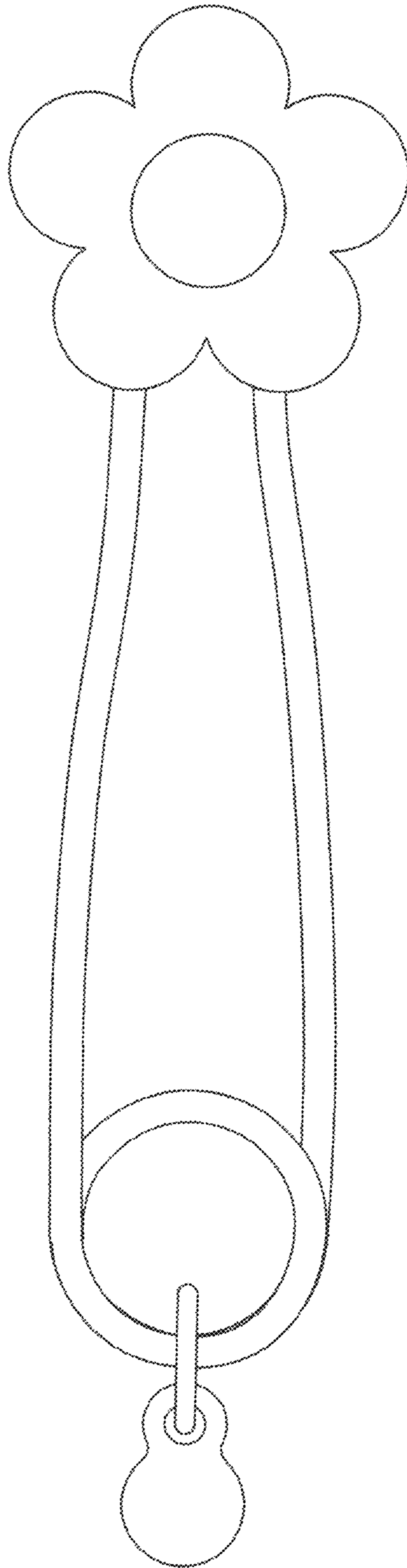


Figure 1

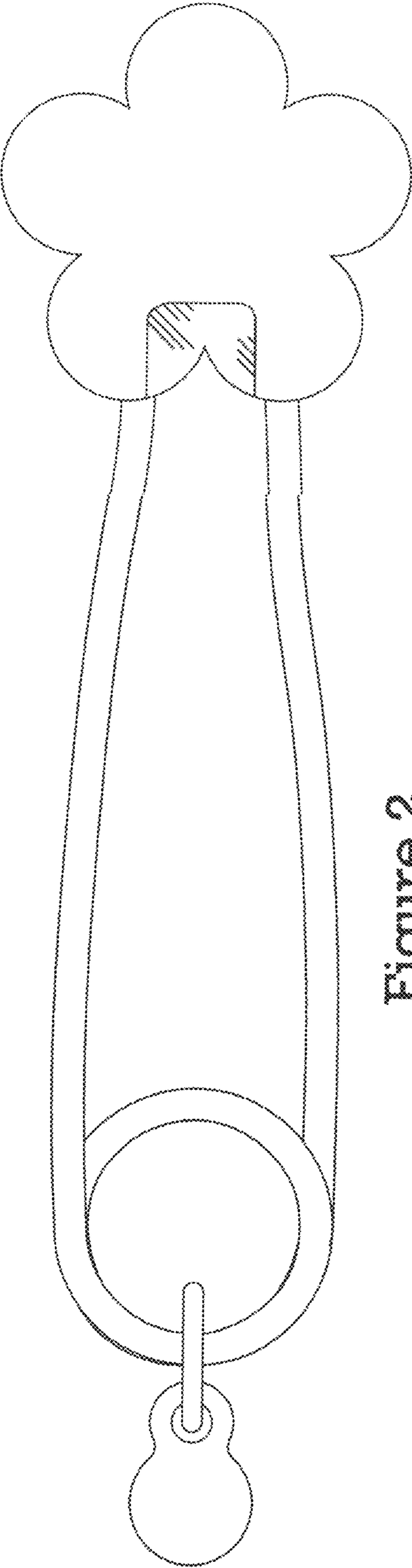


Figure 2

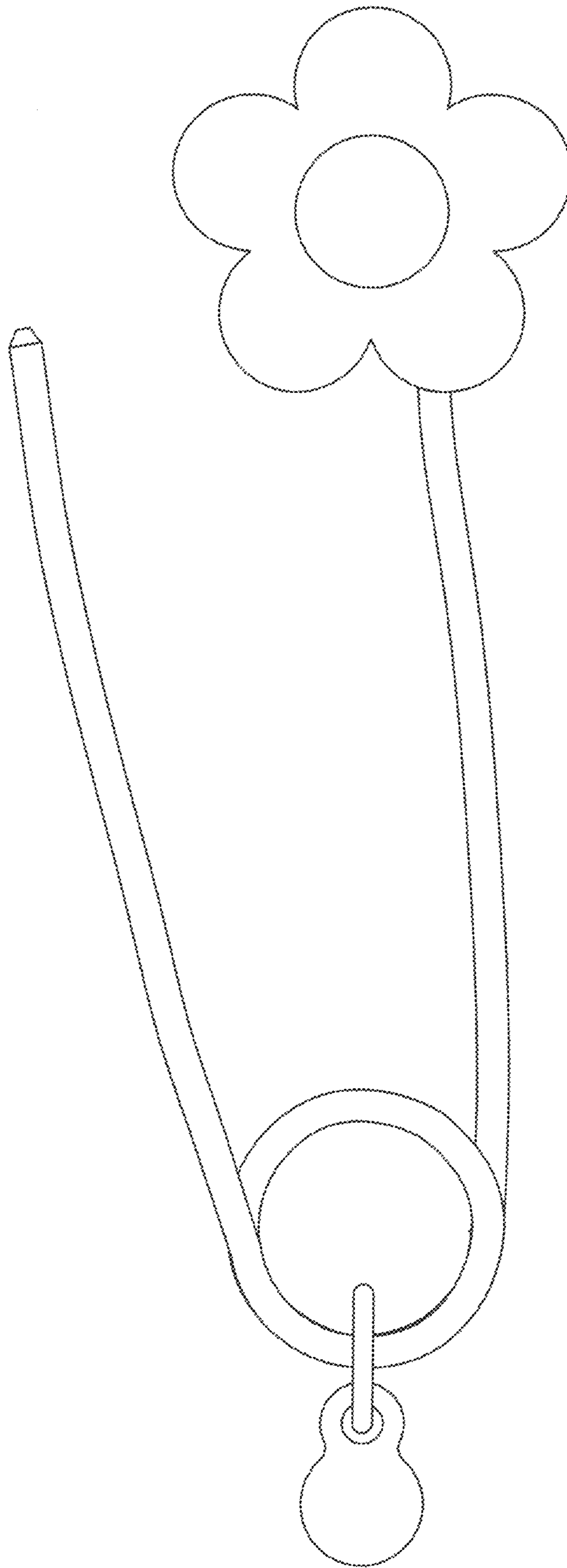


Figure 3

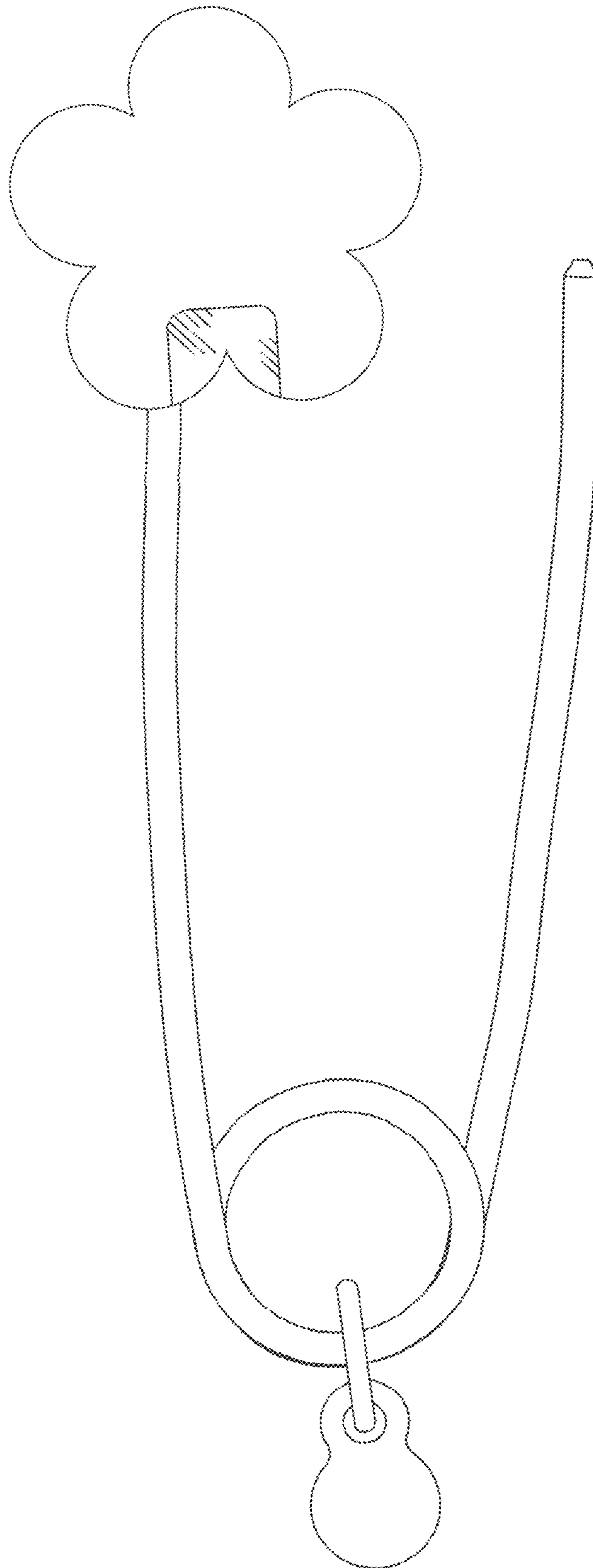


Figure 4

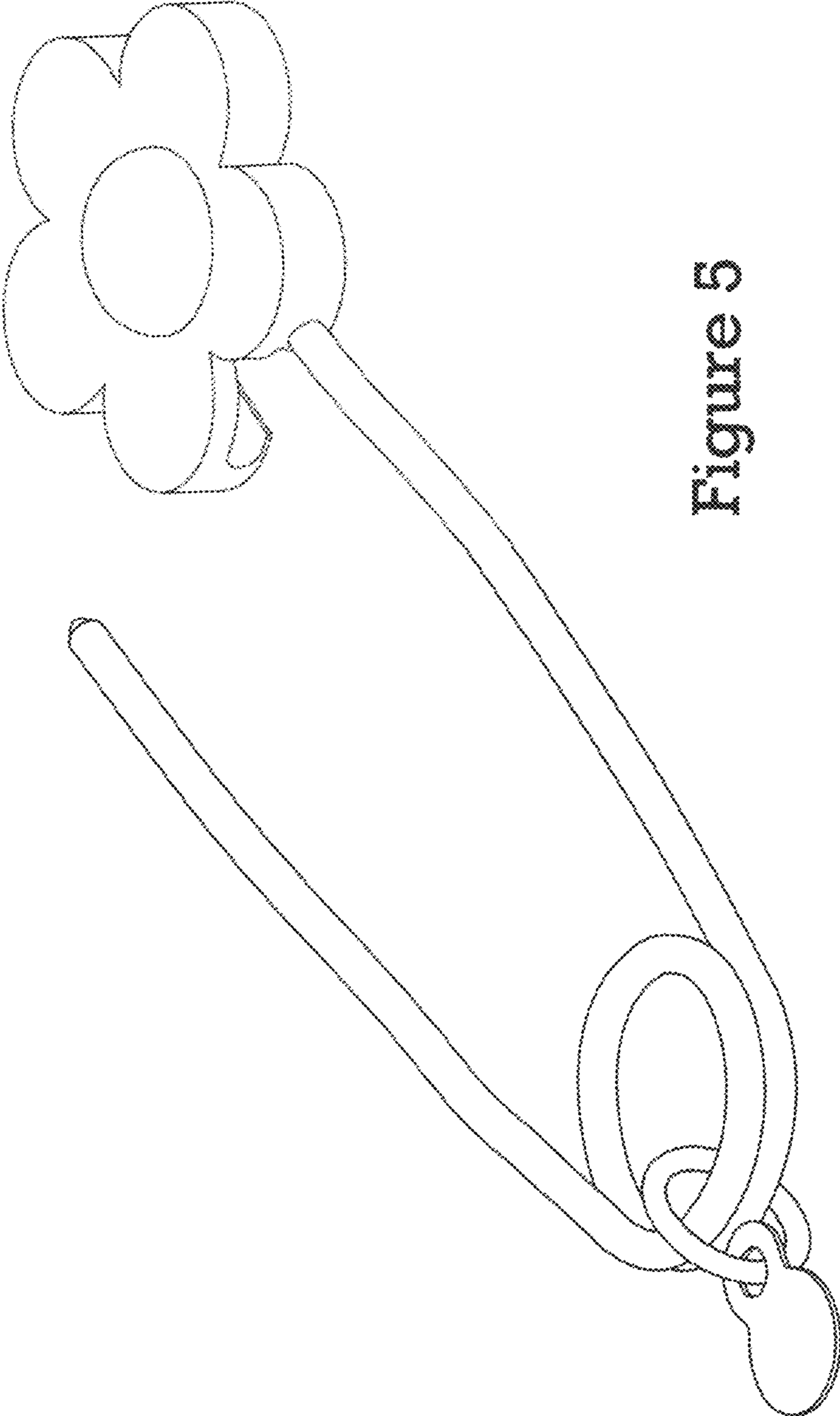


Figure 5

UNITED STATES PATENT AND TRADEMARK OFFICE
CERTIFICATE OF CORRECTION

PATENT NO. : D918,086 S
APPLICATION NO. : 29/665318
DATED : May 4, 2021
INVENTOR(S) : David Midolo et al.

Page 1 of 1

It is certified that error appears in the above-identified patent and that said Letters Patent is hereby corrected as shown below:

On the Title Page

Item (12) "Midolo" should read -- Midolo et al. --

Item (72) add to Inventor:

"Robert Van Eman, Cape May, NJ (US)"

Signed and Sealed this
Twenty-seventh Day of December, 2022



Katherine Kelly Vidal
Director of the United States Patent and Trademark Office