



US00D918083S

(12) **United States Design Patent** (10) **Patent No.:** **US D918,083 S**
Yamada (45) **Date of Patent:** **** May 4, 2021**

(54) **JEWELLERY**
(71) Applicant: **TASAKI & Co., Ltd.**, Kobe (JP)
(72) Inventor: **Yoshikazu Yamada**, Tokyo (JP)
(73) Assignee: **TASAKI & Co., Ltd.**, Kobe (JP)
(**) Term: **15 Years**
(21) Appl. No.: **35/508,162**

D146,762 S * 5/1947 Chernow D11/40
D147,448 S * 9/1947 Katz D11/40
D150,930 S * 9/1948 Chernow D11/40
D151,176 S * 9/1948 Philippe D11/40
D152,364 S * 1/1949 Philippe D11/40
D156,270 S * 11/1949 Philippe D11/40
2,502,386 A * 3/1950 Mailand A44C 7/009
63/14.2
D165,496 S * 12/1951 Trott D11/43
D171,791 S * 3/1954 Katz D11/40
D292,560 S * 11/1987 Di Maria D11/27

(Continued)

(22) Filed: **Jun. 4, 2019**

OTHER PUBLICATIONS

(80) **Hague Agreement Data**

Int. Filing Date: **Jun. 4, 2019**
Int. Reg. No.: **DM/204744**
Int. Reg. Date: **Jun. 4, 2019**
Int. Reg. Pub. Date: **Dec. 20, 2019**

[Online] "Danger" <https://www.tasaki-global.com/jewellery/collectionline/danger/danger/R-4787-18KYG/>. Retrieved Nov. 18, 2020.*

(Continued)

(51) **LOC (13) Cl.** **11-01**

Primary Examiner — Melanie Pellegrini
(74) *Attorney, Agent, or Firm* — Rankin, Hill & Clark LLP

(52) **U.S. Cl.**
USPC **D11/42**

(58) **Field of Classification Search**
USPC D11/1, 2, 3, 4, 26–39, 40–48, 79–86
CPC A44C 1/00; A44C 5/00; A44C 5/0084;
A44C 5/02; A44C 5/022; A44C 5/025;
A44C 5/027; A44C 7/00; A44C 7/002;
A44C 7/003; A44C 7/004; A44C 7/005;
A44C 7/006; A44C 7/007; A44C 7/008;
A44C 7/009; A44C 9/00; A44C 9/0007;
A44C 9/0015; A44C 9/0023; A44C
9/003; A44C 9/0038; A44C 9/0046; A44C
9/0053; A44C 9/0061; A44C 9/0069;
A44C 9/0076; A44C 9/0092; A44C 9/02;
A44C 25/00; A44C 25/001; A44C
25/002; A44C 25/007

(57) **CLAIM**

The ornamental design for jewellery, as shown and described.

See application file for complete search history.

DESCRIPTION

- 1. Jewellery
- 1.1 : Perspective view 1
- 1.2 : Perspective view 2
- 1.3 : Front
- 1.4 : Right
- 1.5 : Left
- 1.6 : Top
- 1.7 : Bottom
- 1.8 : Back
- 1.9 : Referential view

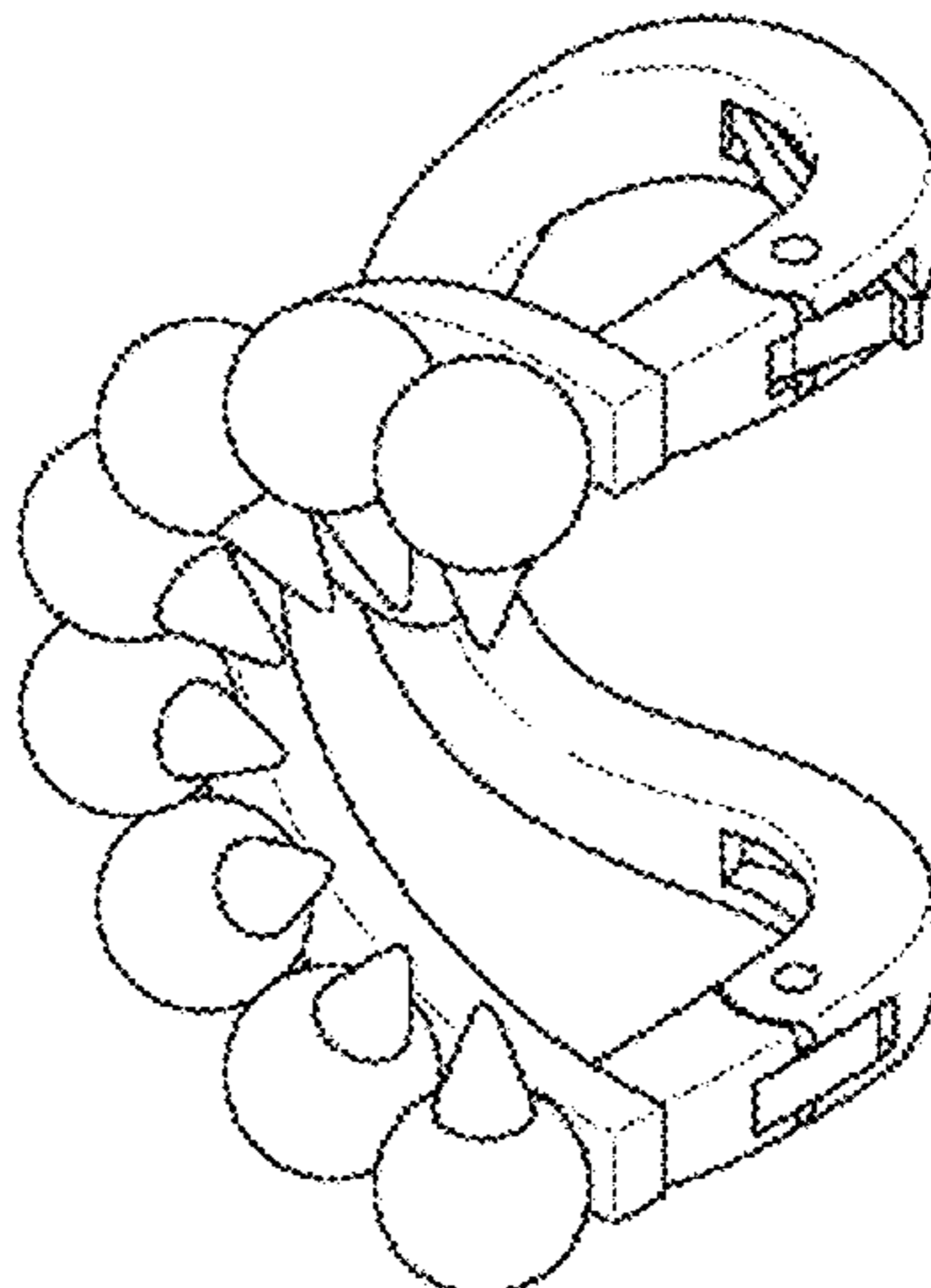
The thin lines on the article show a three-dimensional shape of the article surface.

(56) **References Cited**

U.S. PATENT DOCUMENTS

D32,523 S * 4/1900 Zell D11/43
D137,311 S * 2/1944 Rubel D11/42

(Continued)



The broken line showing of an ear in Fig. 1.9 represent environment and form no part of the claimed design.

1 Claim, 9 Drawing Sheets

(56)

References Cited

U.S. PATENT DOCUMENTS

D325,543 S	*	4/1992	Gueit	D11/42
D545,716 S	*	7/2007	Bulgari	D11/40
D780,034 S	*	2/2017	Kwon	D11/40
D834,987 S	*	12/2018	Morin	D11/34
D896,120 S	*	9/2020	Messika	D11/40
D902,771 S	*	11/2020	Tashjian	D11/42

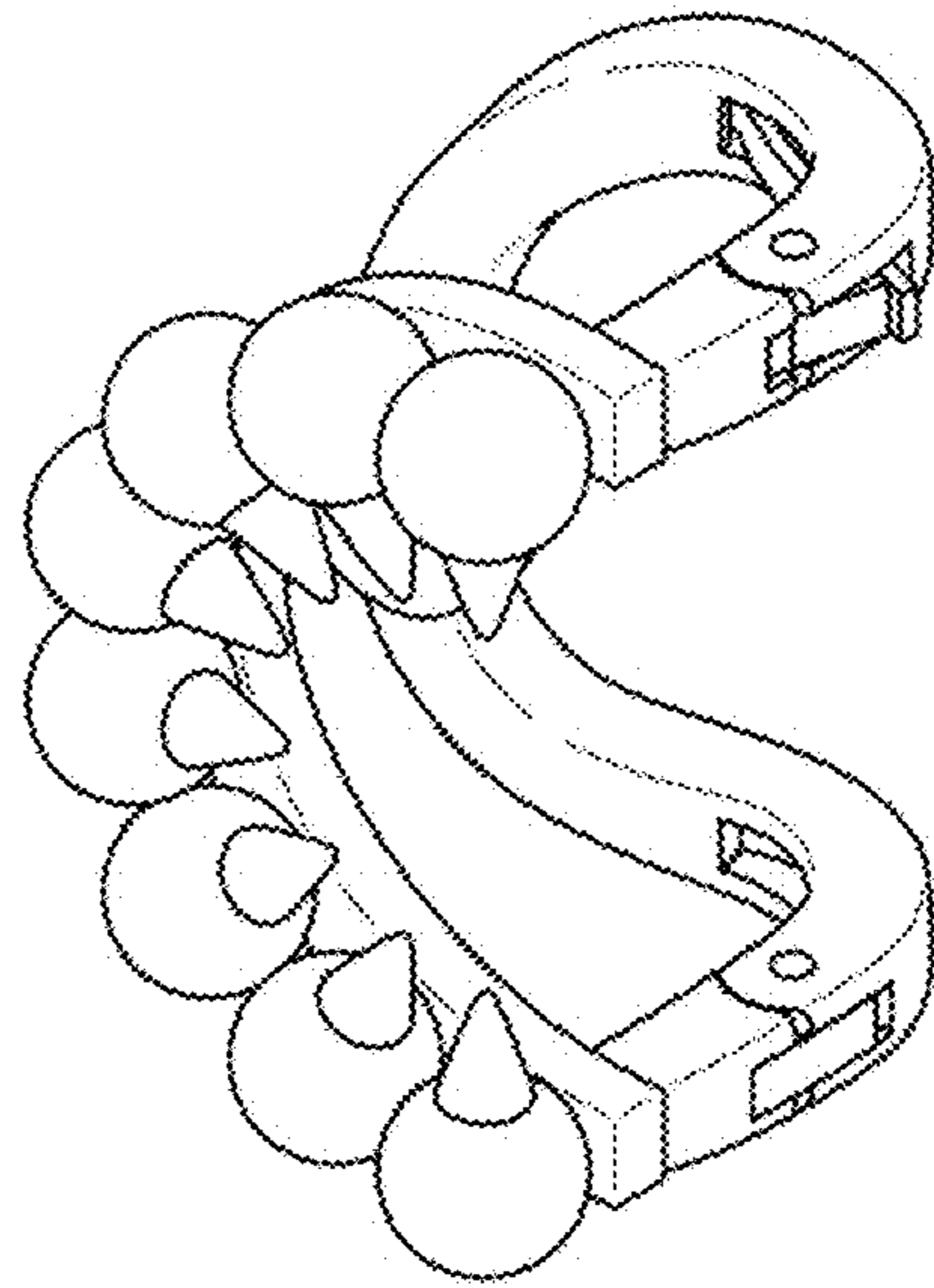
OTHER PUBLICATIONS

[Online] "Danger Earring" <https://www.tasaki-global.com/jewellery/collectionline/danger/danger/E-4224-18KYG/?jewellery=earrings>. Retrieved Nov. 18, 2020.*

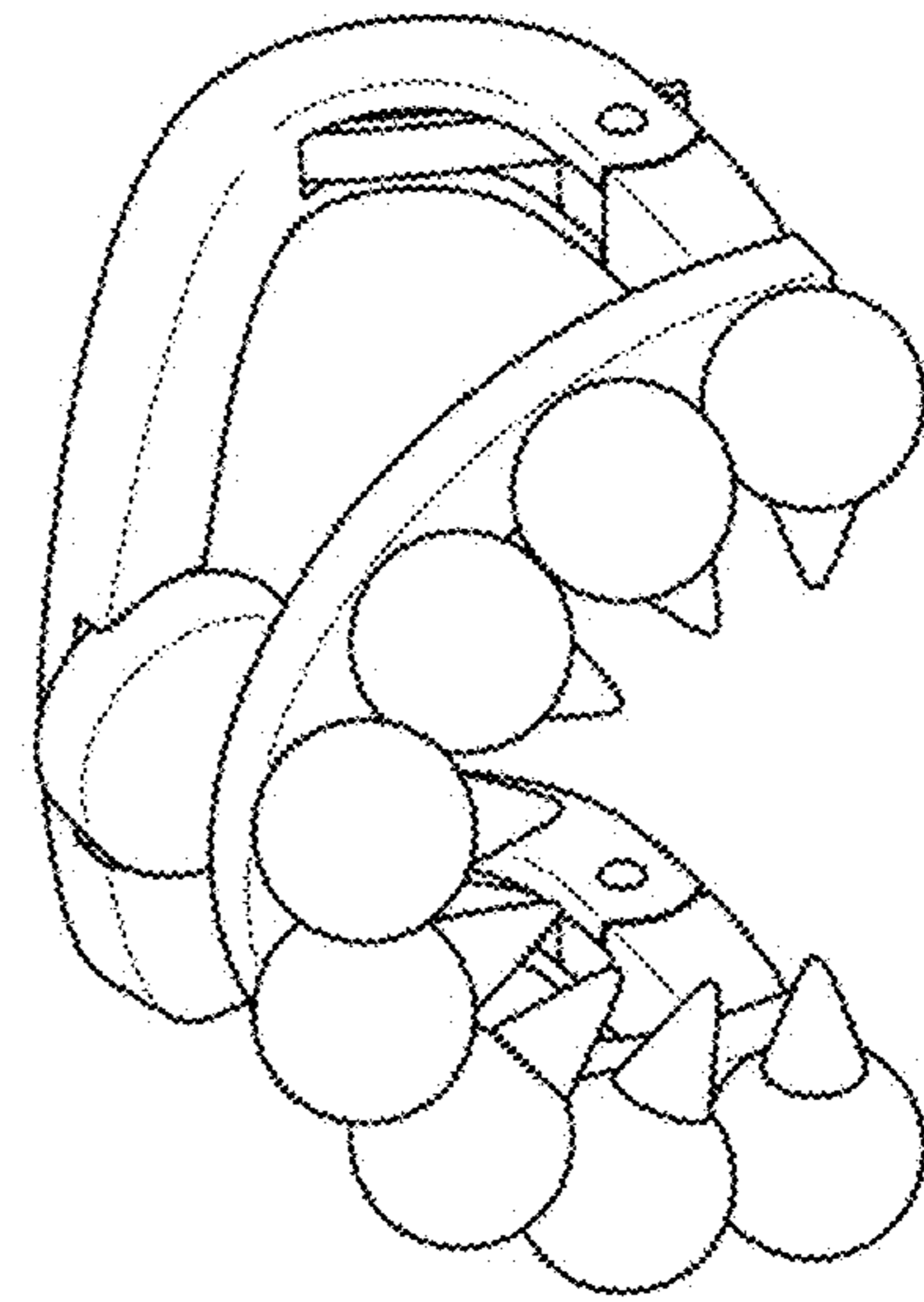
[Online] https://www.farfetch.com/shopping/women/tasaki-18kt-yellow-gold-danger-collection-line-akoya-pearl-ear-clip-item-14738113.aspx?storeid=12602&rtype=portal_pdp_generic_c&rpos=9&rid=183eba82-9435-4763-9845-04a805488c2c. Retrieved Jan. 2, 2021.*

* cited by examiner

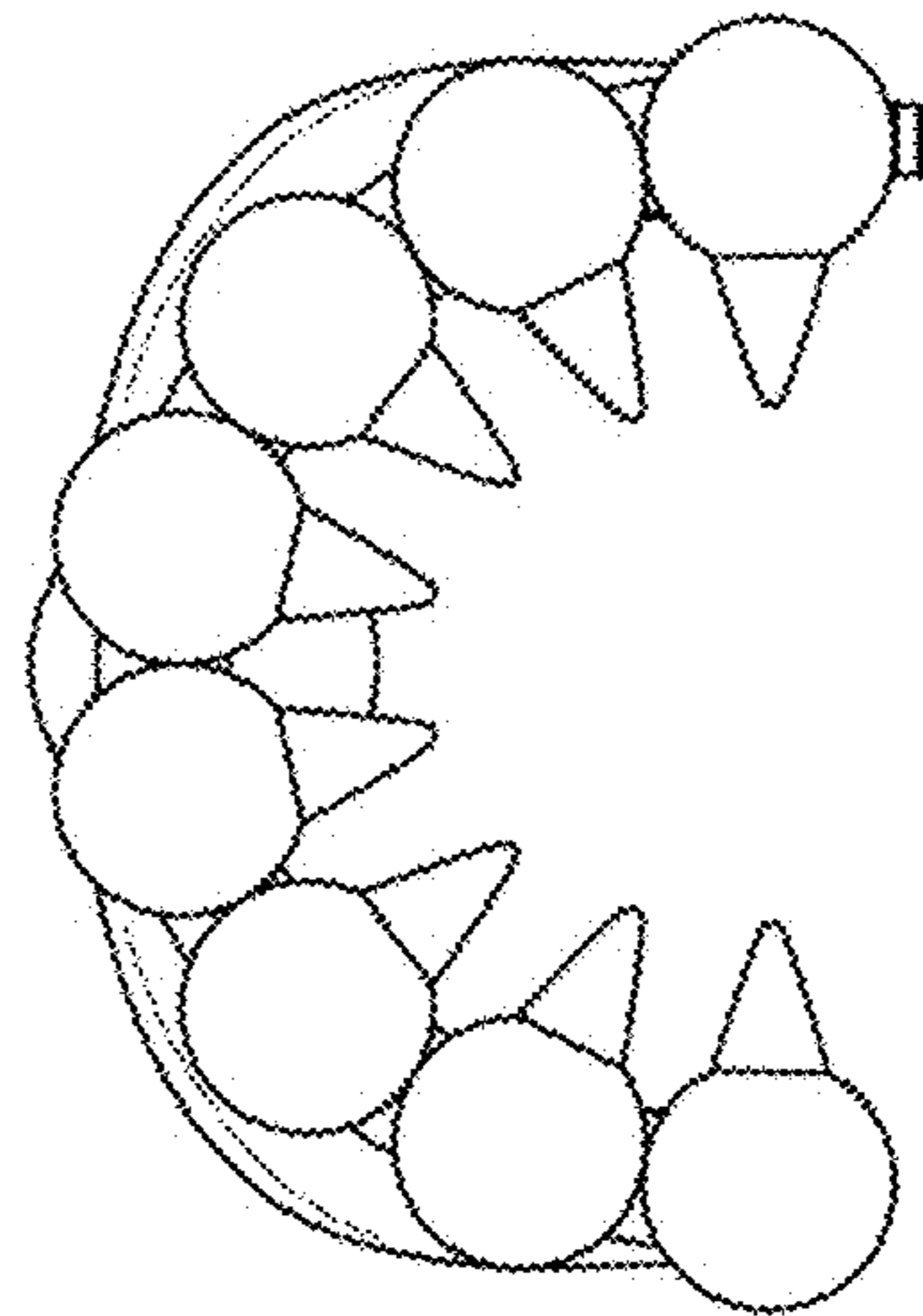
1.1



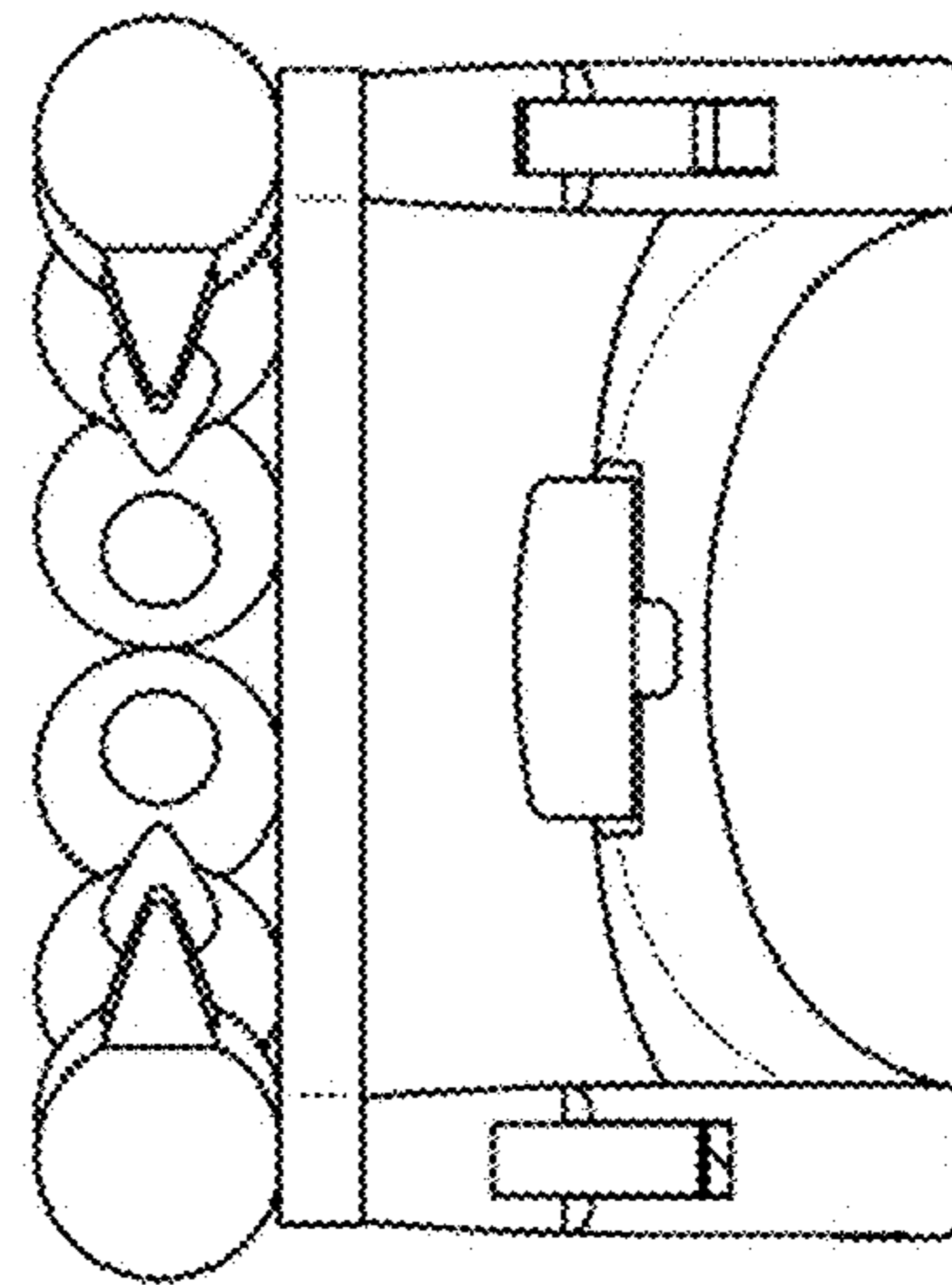
1.2



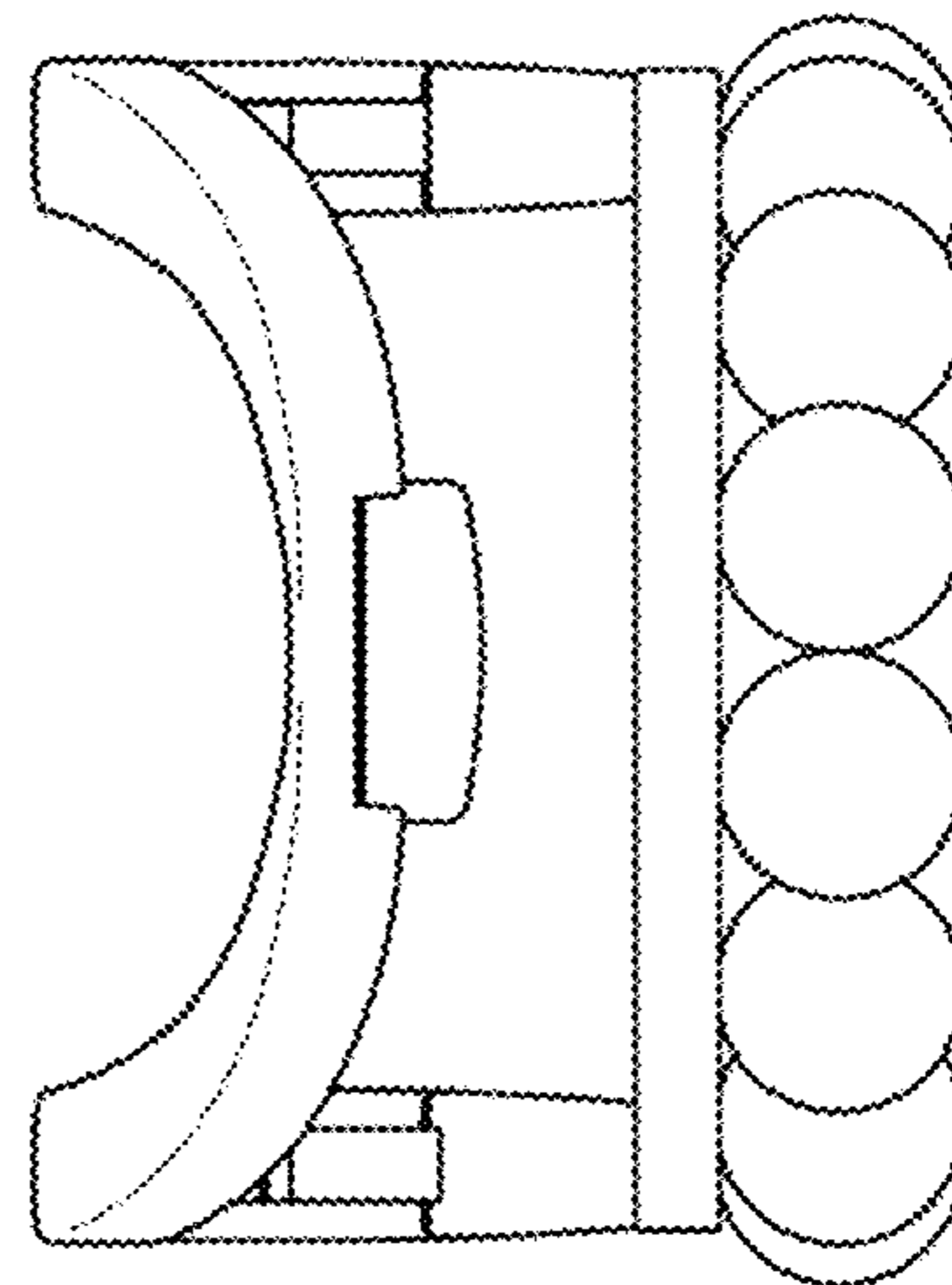
1.3



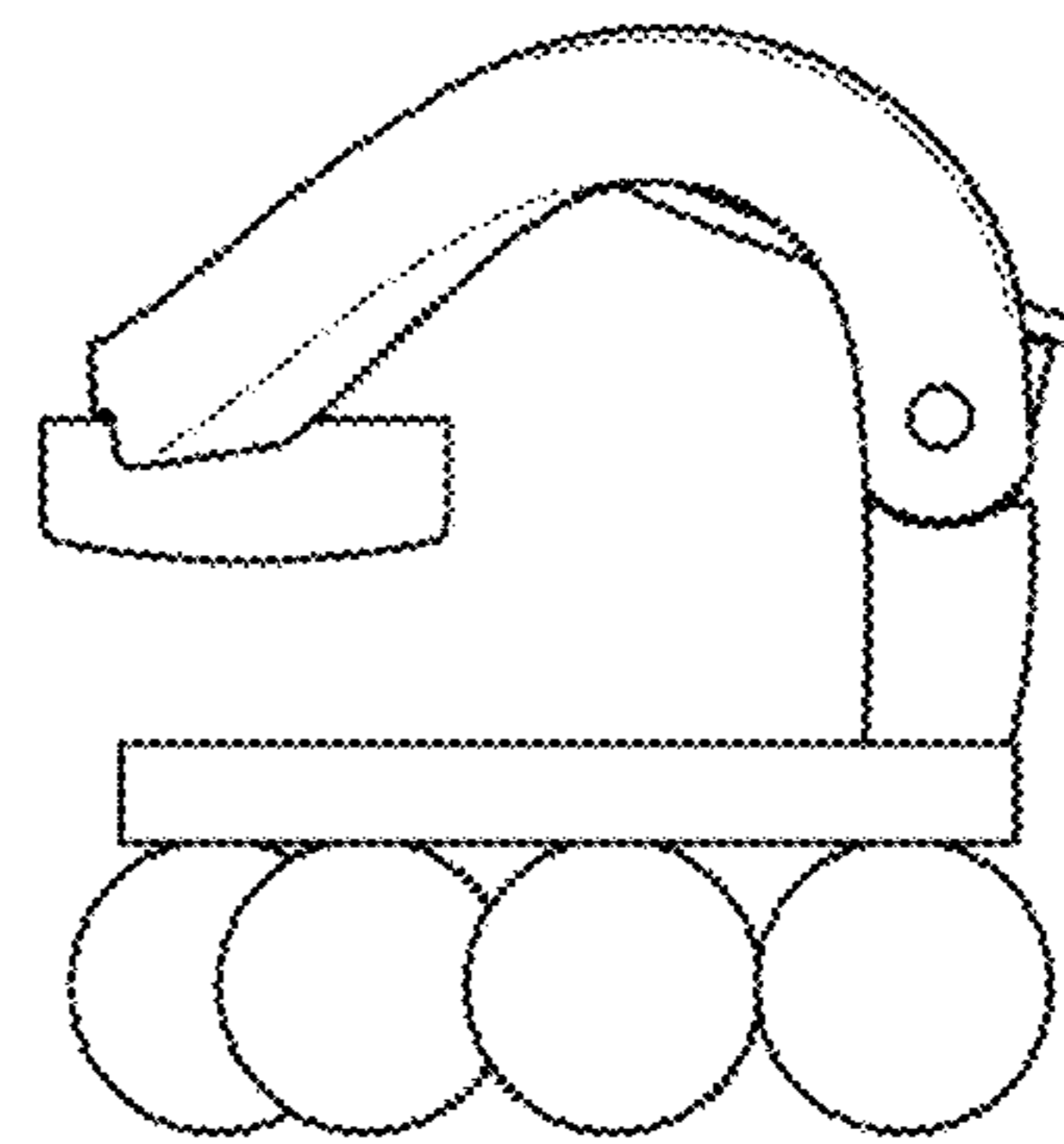
1.4



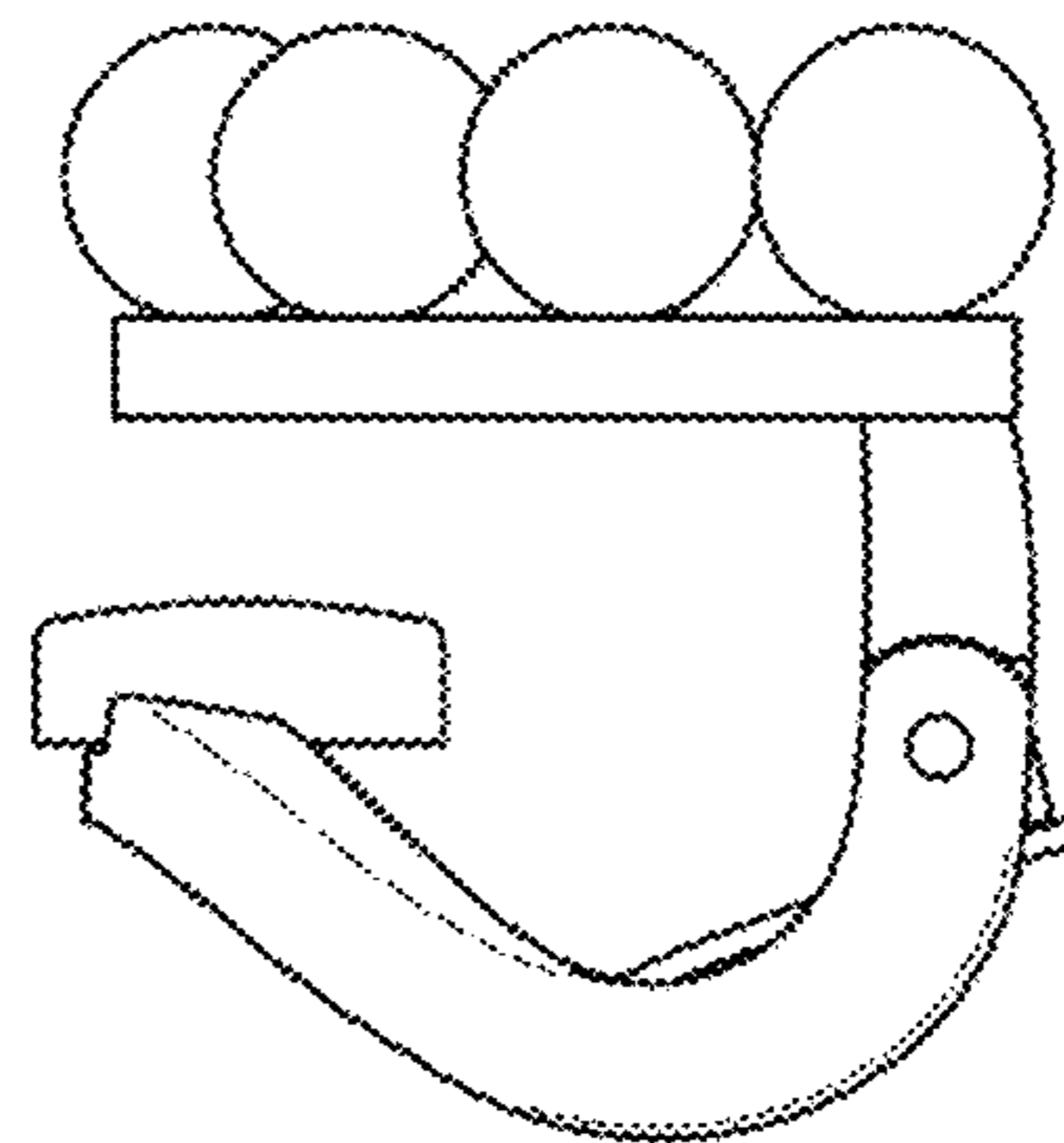
1.5



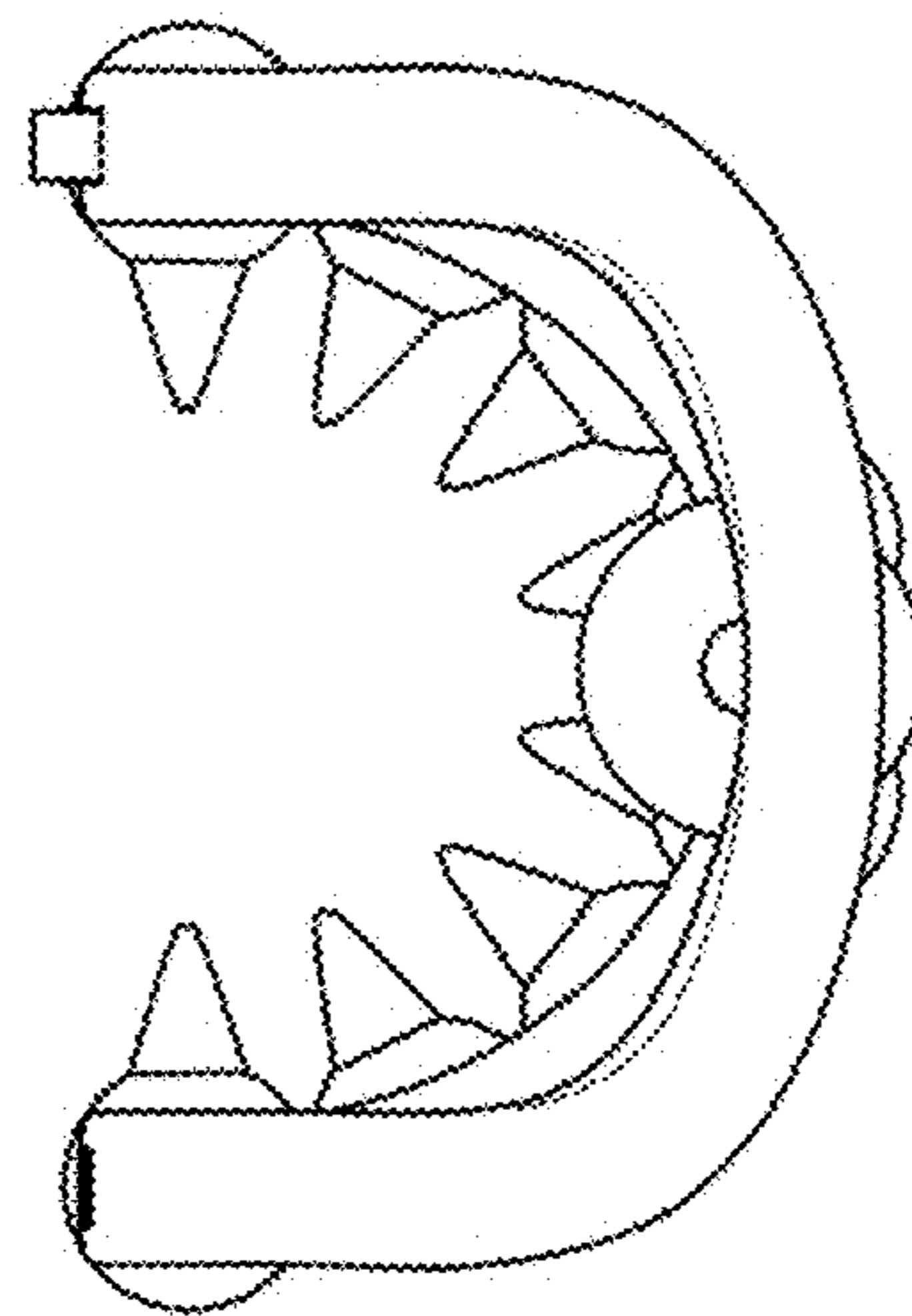
1.6



1.7



1.8



1.9

