



US00D918082S

(12) **United States Design Patent**
Dandridge

(10) **Patent No.:** **US D918,082 S**

(45) **Date of Patent:** **** May 4, 2021**

(54) **COMBINED WRISTBAND AND HAIR CARE RECEPTACLE**

(71) Applicant: **Unique LaDra Dandridge**, Gardena, CA (US)

(72) Inventor: **Unique LaDra Dandridge**, Gardena, CA (US)

(**) Term: **15 Years**

(21) Appl. No.: **29/704,912**

(22) Filed: **Sep. 9, 2019**

(51) **LOC (13) Cl.** **11-01**

(52) **U.S. Cl.**
USPC **D11/2; D3/215**

(58) **Field of Classification Search**
USPC D11/1-6, 26, 40-43, 79, 86; D28/41, 73, D28/77; D3/201, 215
CPC A44C 5/0007; A44C 5/0023; A44C 5/003; A44C 15/002
See application file for complete search history.

(56) **References Cited**

U.S. PATENT DOCUMENTS

- 1,508,940 A * 9/1924 Sedransky A44C 5/003
224/221
- 1,584,205 A * 5/1926 Zaldo A44C 5/003
224/219
- 1,609,481 A * 12/1926 McCarthy A44C 5/003
224/219
- 1,714,732 A * 5/1929 Schneider A44C 5/003
132/295
- 1,982,248 A * 11/1934 Gebhardt A44C 5/003
132/296
- 3,157,326 A * 11/1964 Murphy A44C 5/003
224/219
- 6,425,506 B1 * 7/2002 Wu A44C 5/003
132/293
- D597,436 S * 8/2009 Bowdish D11/4

- D670,189 S * 11/2012 Puglisi D11/3
- 8,651,346 B1 * 2/2014 Williams A44C 5/003
224/222
- 2005/0022554 A1 * 2/2005 Davidson A44C 5/003
63/1.14
- 2005/0242137 A1 * 11/2005 Fishman A44C 5/003
224/221
- 2006/0126444 A1 * 6/2006 Ellner A44C 5/003
368/246
- 2008/0245104 A1 * 10/2008 Steele A44C 5/003
63/1.12
- 2014/0117060 A1 * 5/2014 Colone A44C 5/003
224/219
- 2014/0366778 A1 * 12/2014 Van Veen A44C 15/002
63/32
- 2015/0158042 A1 * 6/2015 Parker A44C 5/003
222/175
- 2015/0216285 A1 * 8/2015 Grainger A44C 5/003
206/581
- 2016/0044997 A1 * 2/2016 Horgan A44C 5/003
222/175

(Continued)

Primary Examiner — Llorellys Martinez

(74) *Attorney, Agent, or Firm* — Fraline J. Allgaier

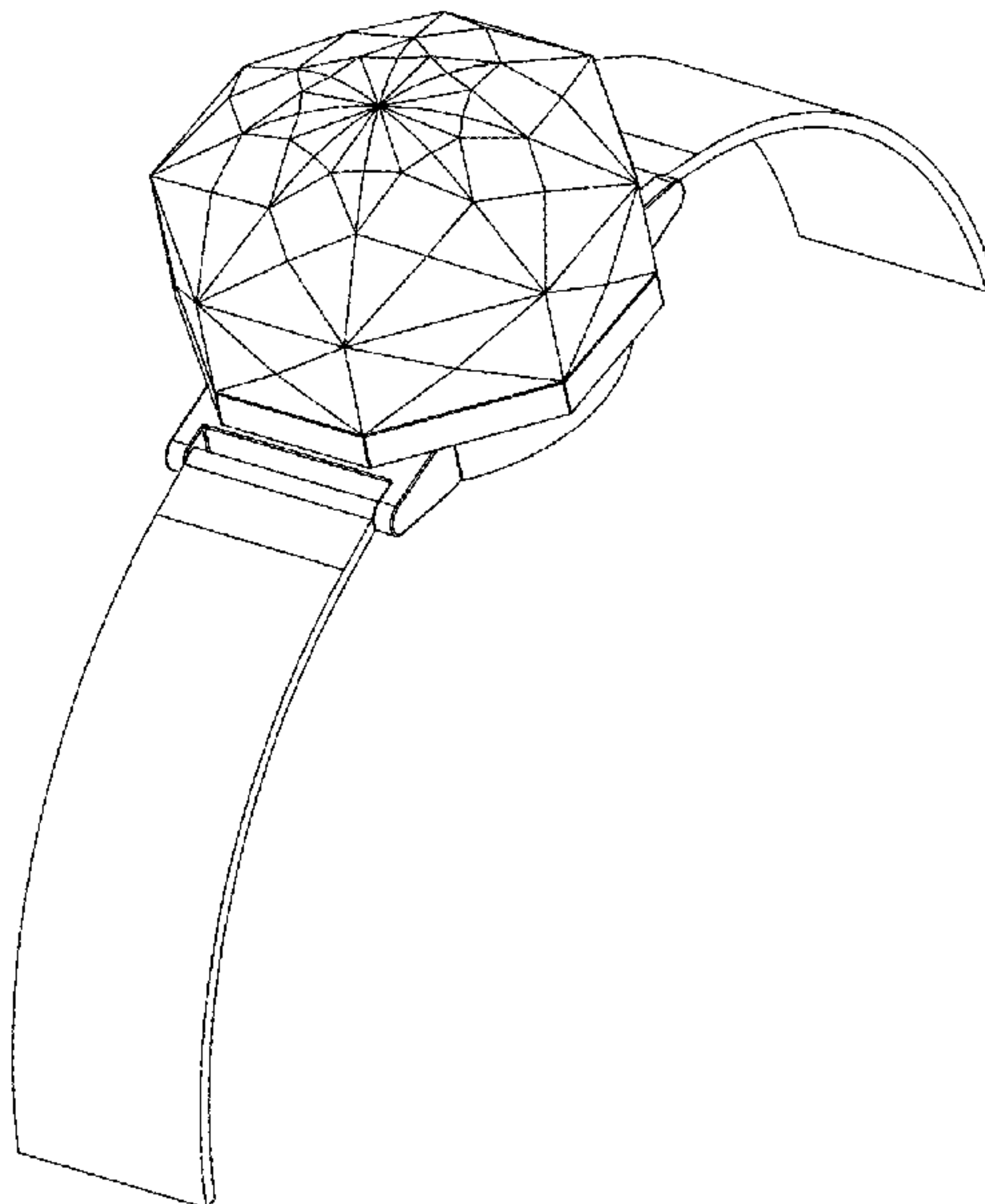
(57) **CLAIM**

The ornamental design for a combined wristband and hair care receptacle, as shown and described.

DESCRIPTION

FIG. 1 is a perspective view of a combined wristband and hair care receptacle showing my new design.
FIG. 2 is a top view thereof.
FIG. 3 is a bottom view thereof.
FIG. 4 is a front view thereof.
FIG. 5 is a back view thereof.
FIG. 6 is a left side view thereof.
FIG. 7 is a right side view thereof; and,
FIG. 8 is an interior view thereof.

1 Claim, 8 Drawing Sheets



(56)

References Cited

U.S. PATENT DOCUMENTS

2018/0368541 A1* 12/2018 Burr A44C 5/003
2020/0245822 A1* 8/2020 Chacon, Jr. A44C 5/0007

* cited by examiner

FIG. 1

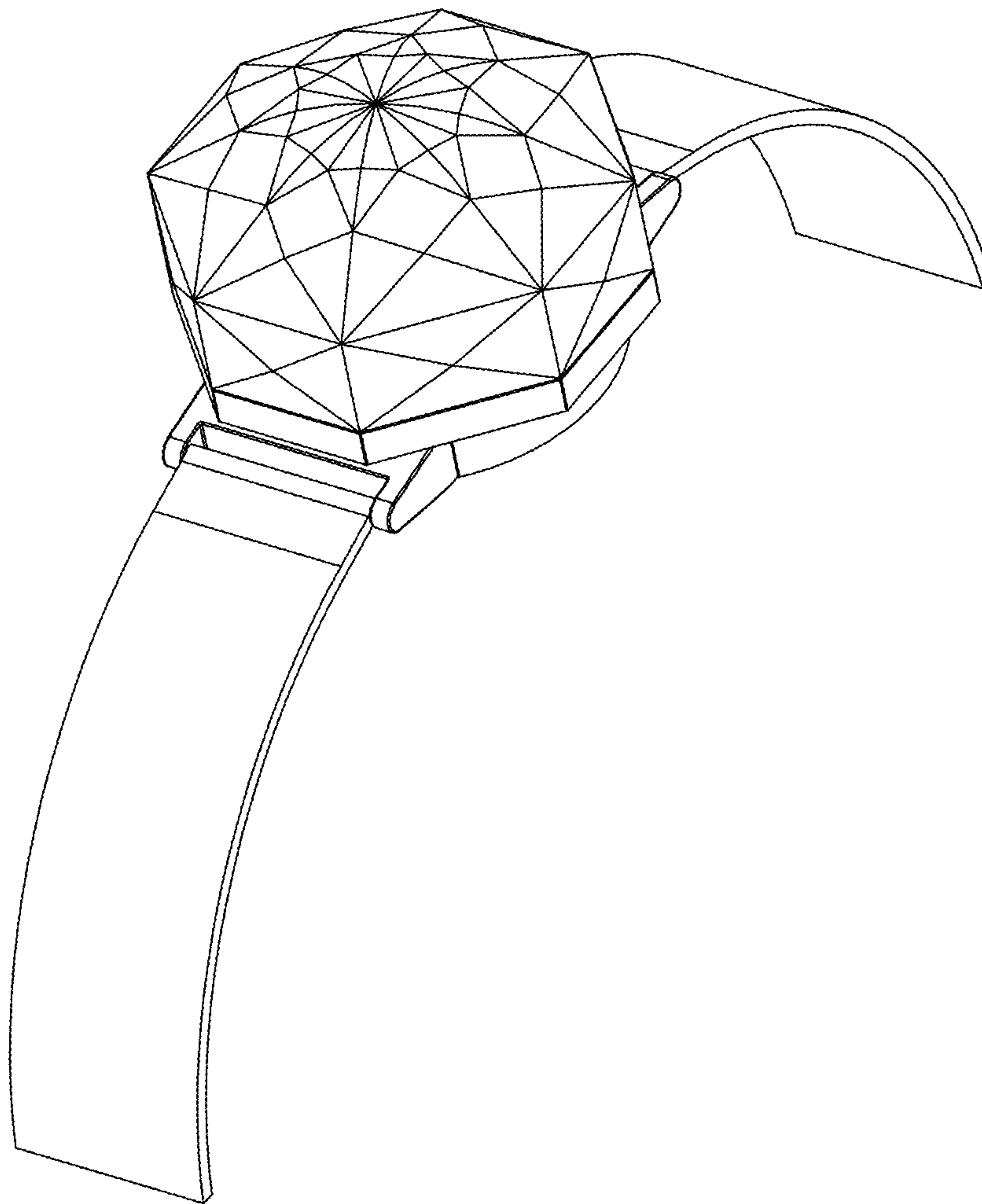


FIG. 2

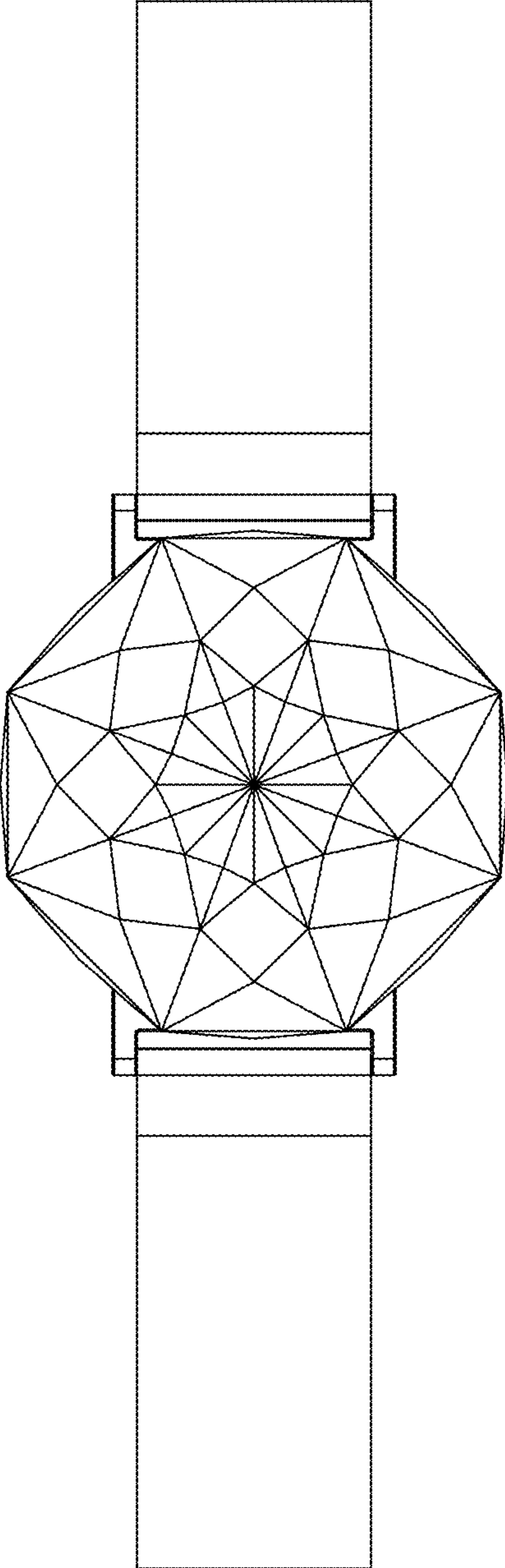


FIG. 3

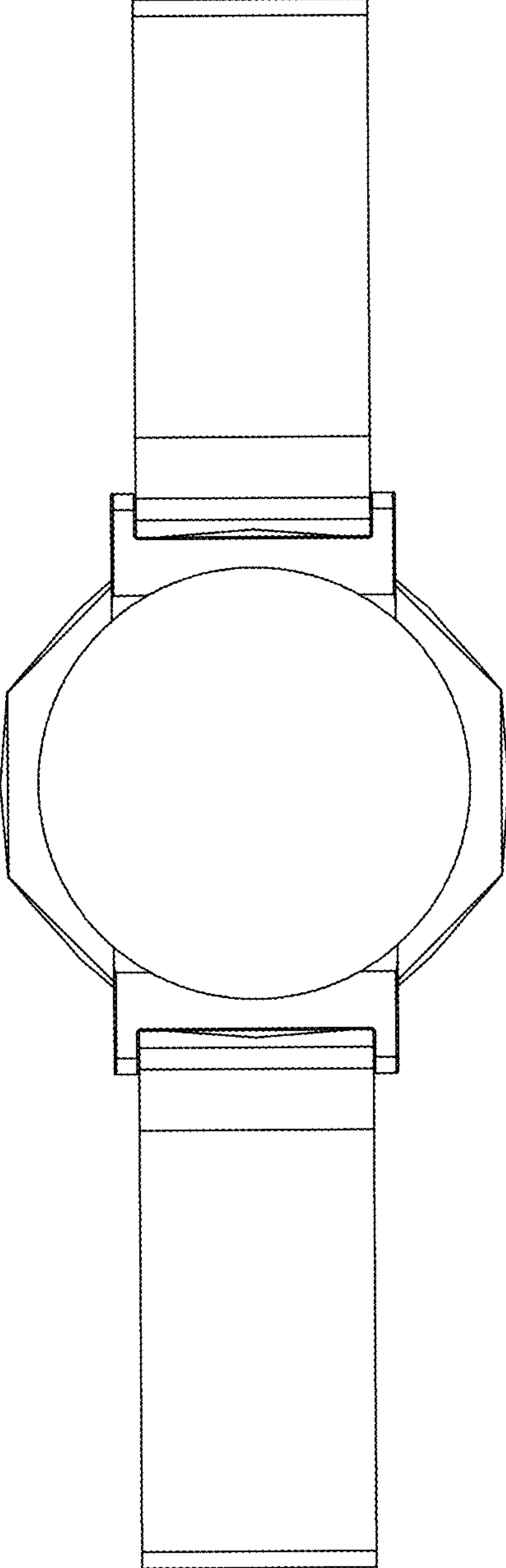


FIG. 4

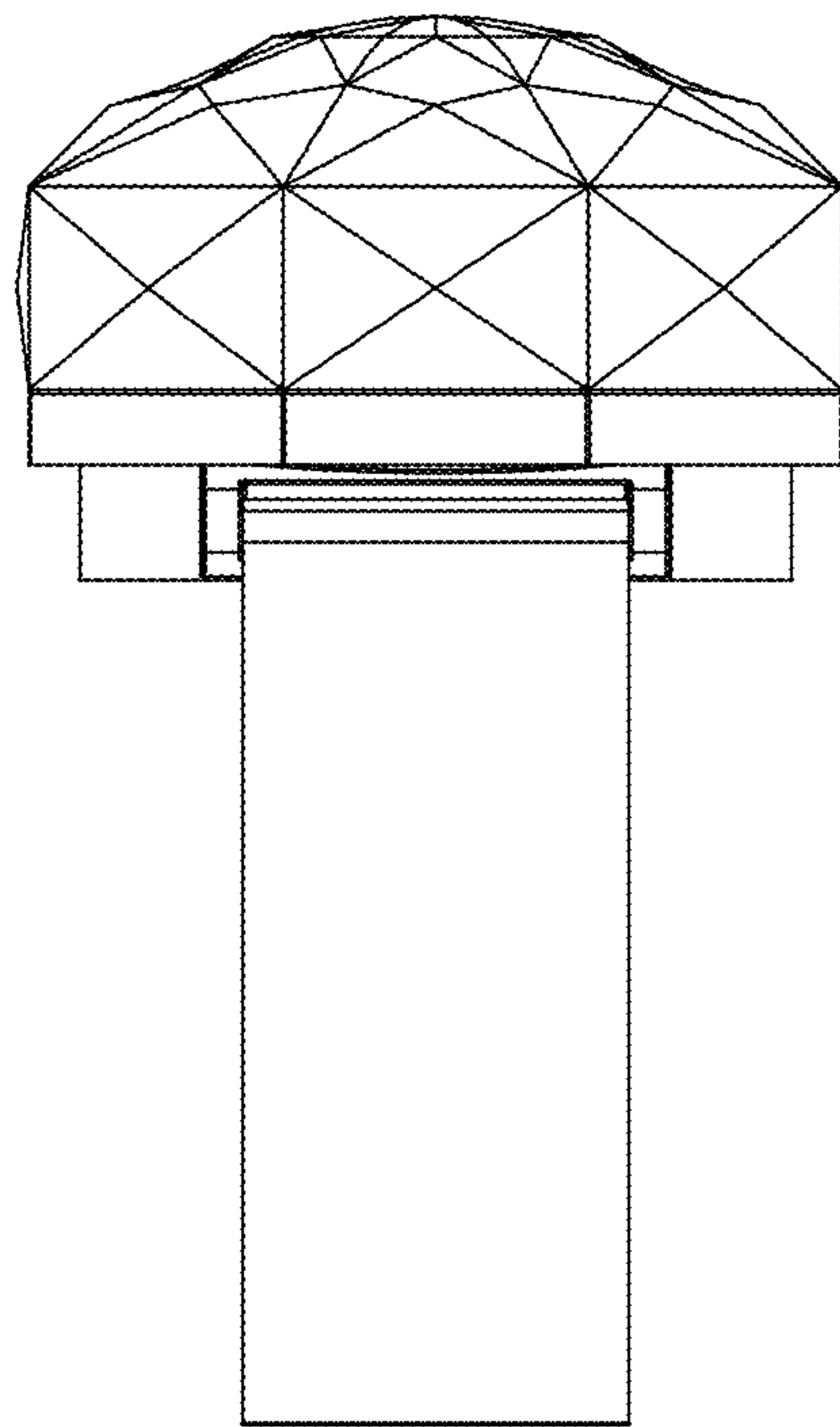


FIG. 5

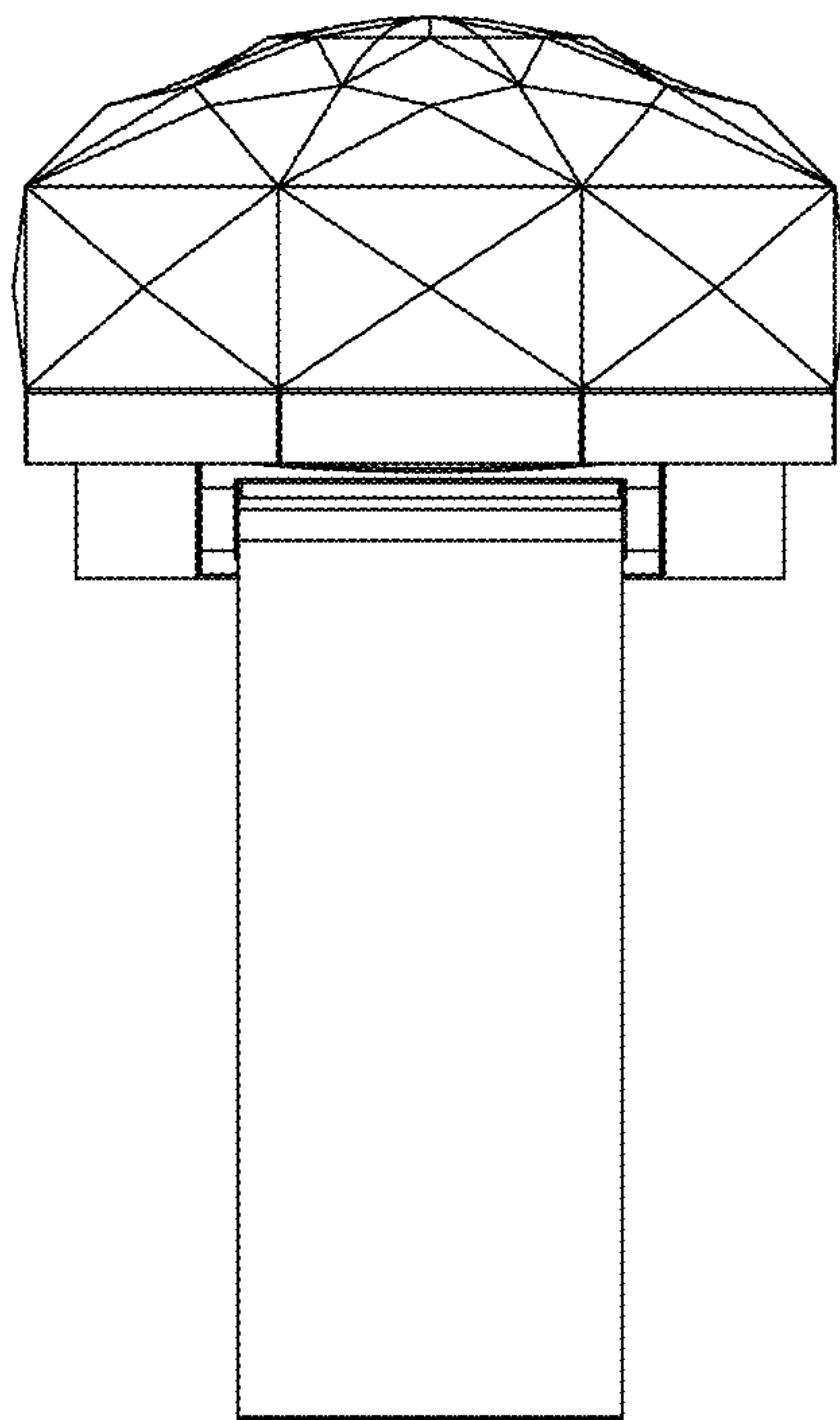


FIG. 6

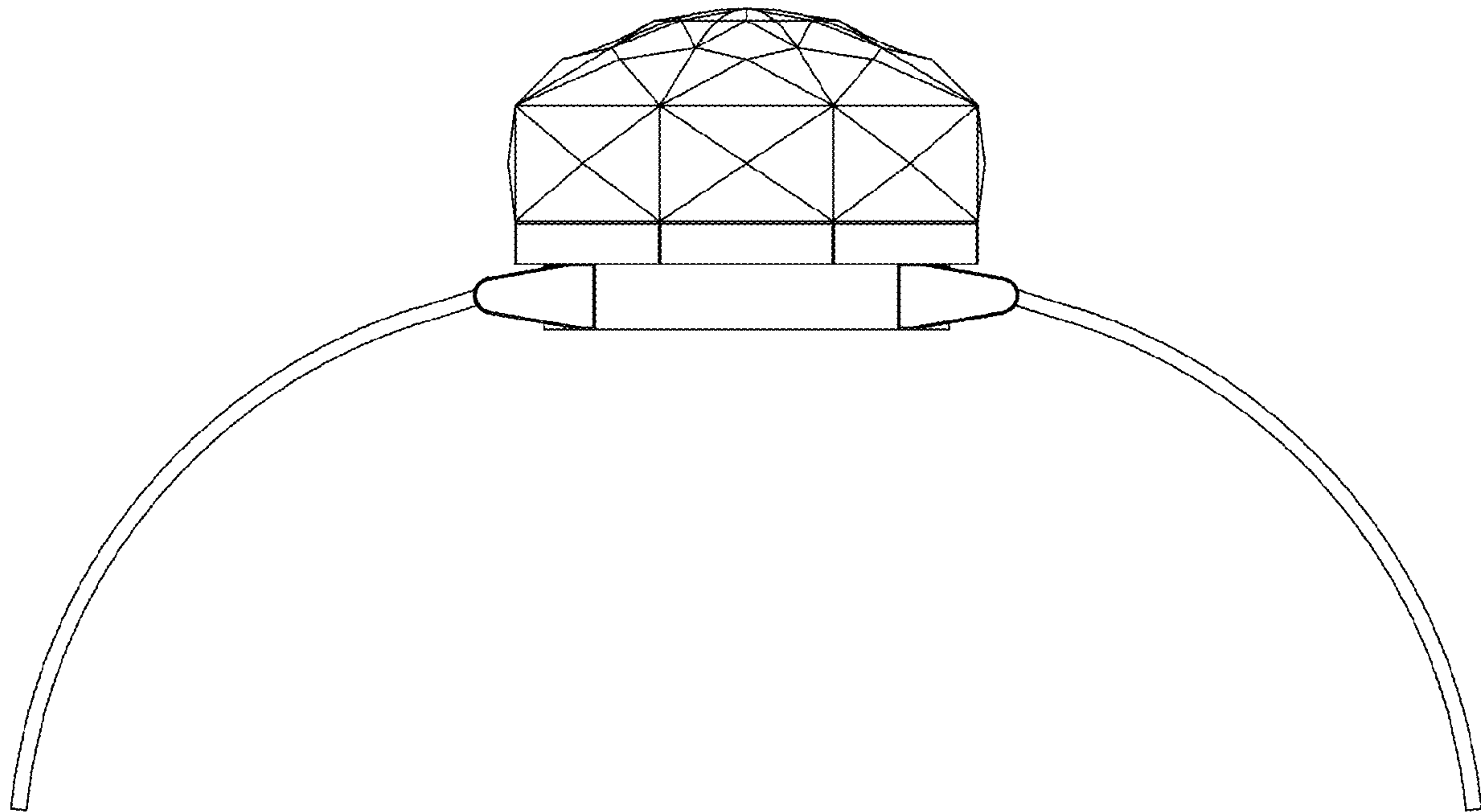


FIG. 7

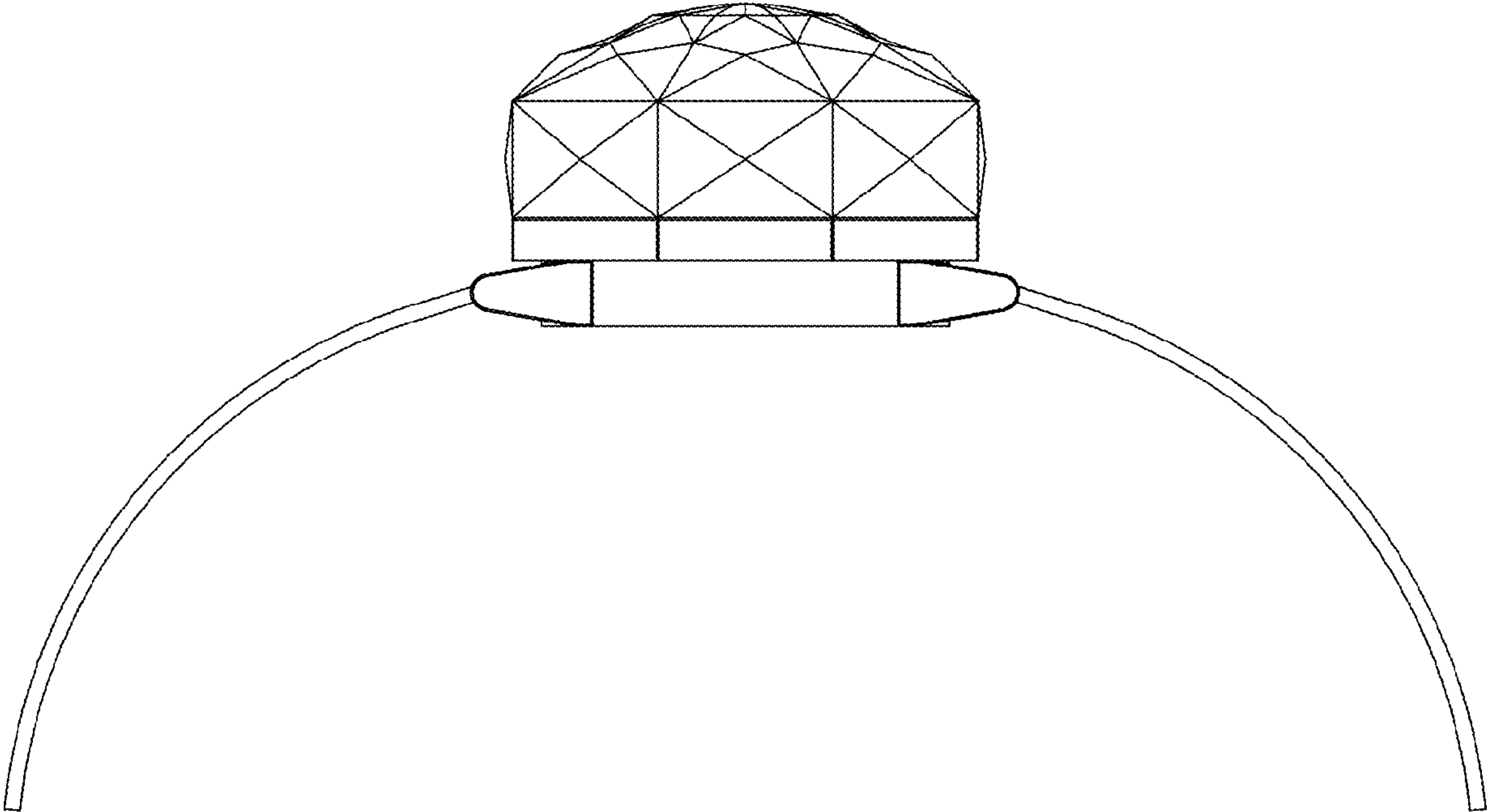


FIG. 8

