



US00D918080S

(12) **United States Design Patent**
Chatelain et al.

(10) **Patent No.:** **US D918,080 S**

(45) **Date of Patent:** **** May 4, 2021**

(54) **MOVEMENT FOR CLOCKS AND WATCHES**

(71) Applicant: **SOPROD SA**, Les Reussilles (CH)

(72) Inventors: **Christian Chatelain**, Tramelan (CH);
Sébastien Gigon, Thiébouhans (CH)

(**) Term: **15 Years**

(21) Appl. No.: **35/508,755**

(22) Filed: **Sep. 2, 2019**

(80) **Hague Agreement Data**

Int. Filing Date: **Sep. 2, 2019**

Int. Reg. No.: **DM/204468**

Int. Reg. Date: **Sep. 2, 2019**

Int. Reg. Pub. Date: **Mar. 6, 2020**

(51) **LOC (13) Cl.** **10-07**

(52) **U.S. Cl.**
USPC **D10/129**

(58) **Field of Classification Search**
USPC D10/128-131
CPC G04B 11/04; G04B 5/00; G04B 17/063
See application file for complete search history.

(56) **References Cited**

U.S. PATENT DOCUMENTS

D748,517 S * 2/2016 Fazio D10/129
9,557,713 B2 * 1/2017 Peters G04B 5/00

9,989,922 B2 * 6/2018 Zaugg G04B 17/063
D891,284 S * 7/2020 Ugarte D10/129
D894,777 S * 9/2020 Ugarte D10/129
D894,778 S * 9/2020 Ugarte D10/129
D894,779 S * 9/2020 Galvani D10/129
10,890,877 B2 * 1/2021 Guffond G04B 11/04

* cited by examiner

Primary Examiner — George D. Kirschbaum

(57) **CLAIM**

The ornamental design for a movement for clocks and watches, as shown and described.

DESCRIPTION

1.-2. Movement for clocks and watches

1.1 : Front

1.2 : Top

1.3 : Left

1.4 : Back

1.5 : Right

1.6 : Bottom

1.7 : Exploded

2.1 : Front

2.2 : Top

2.3 : Left

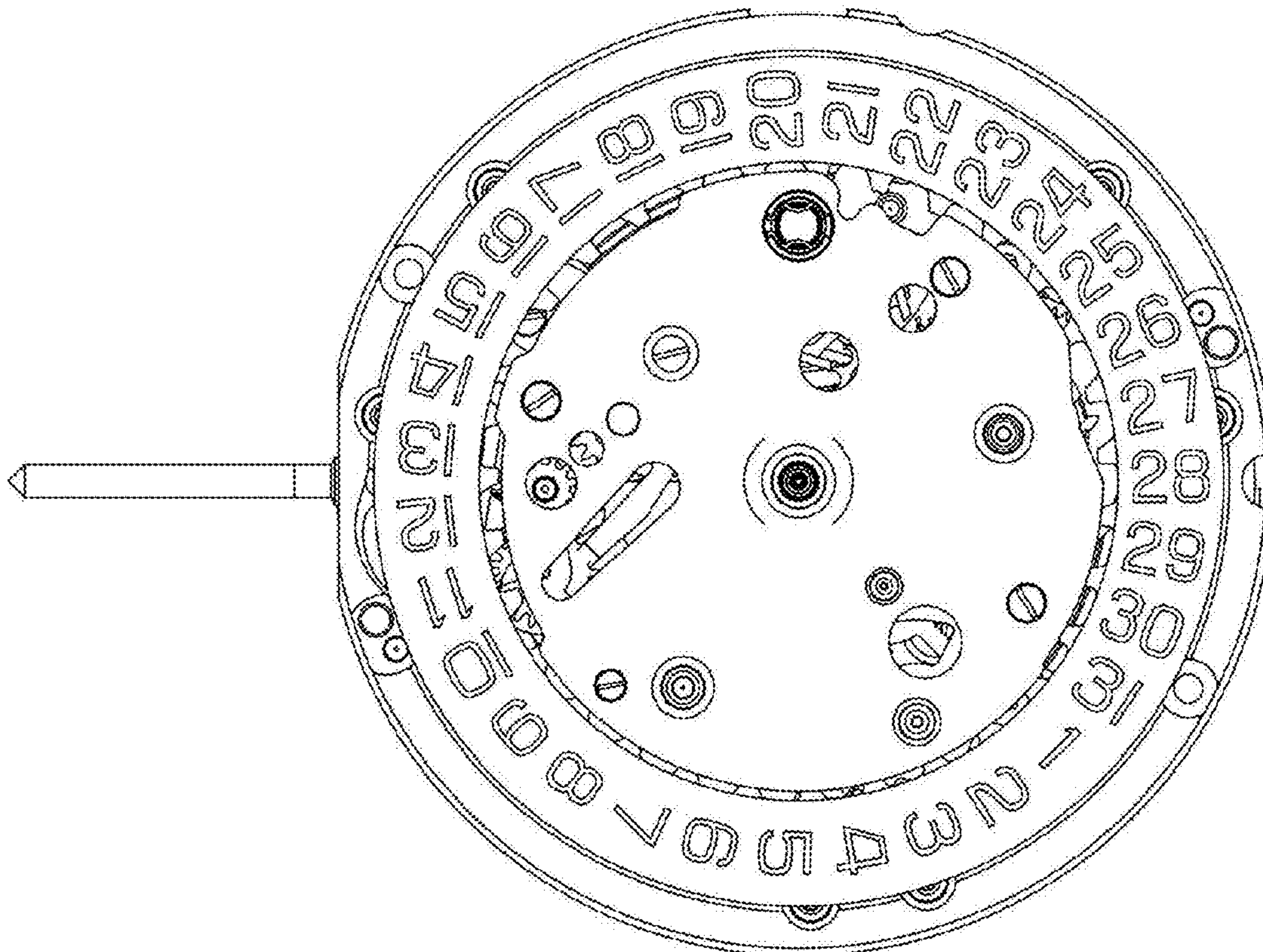
2.4 : Back

2.5 : Right

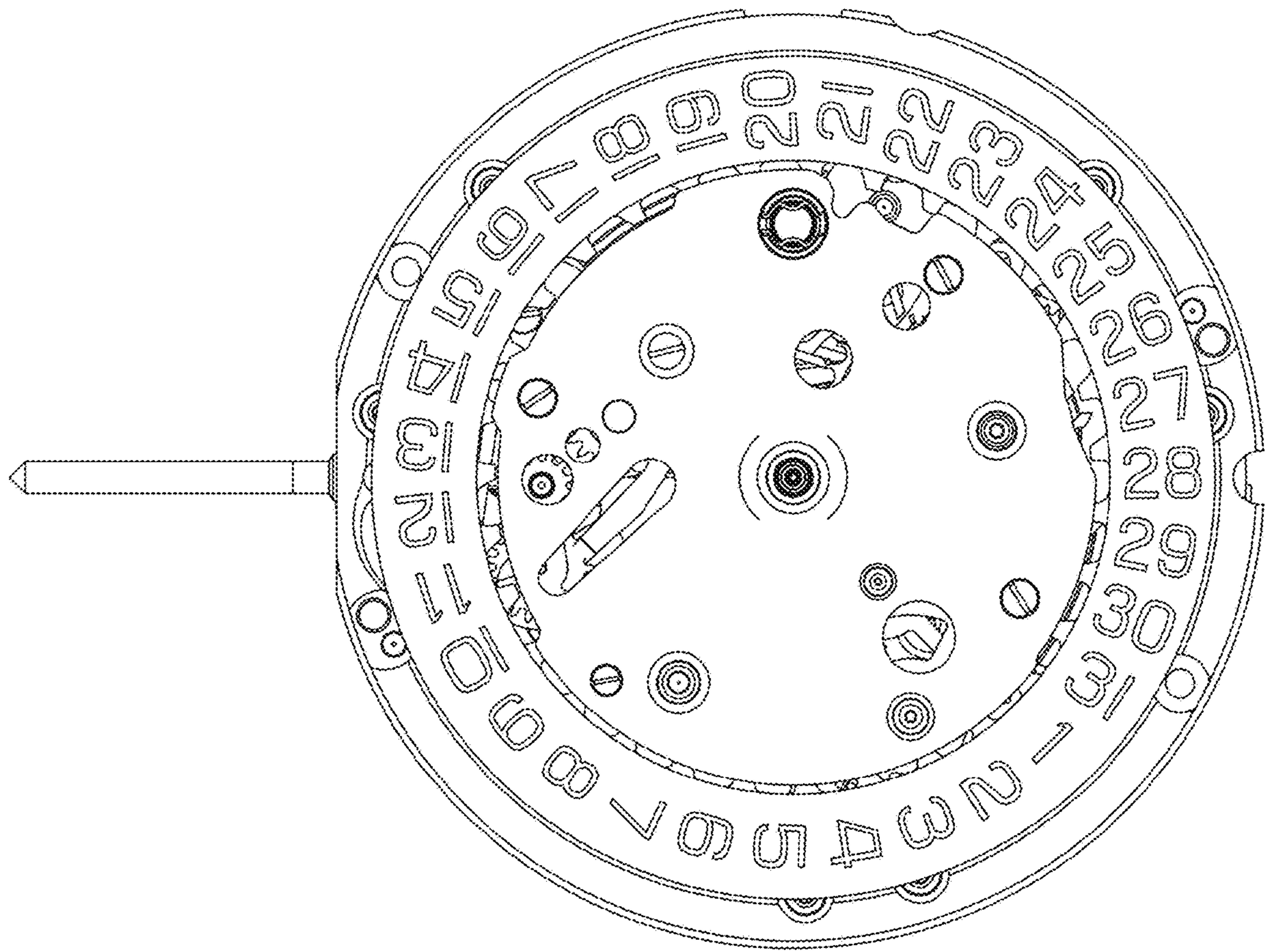
2.6 : Bottom

2.7 : Exploded

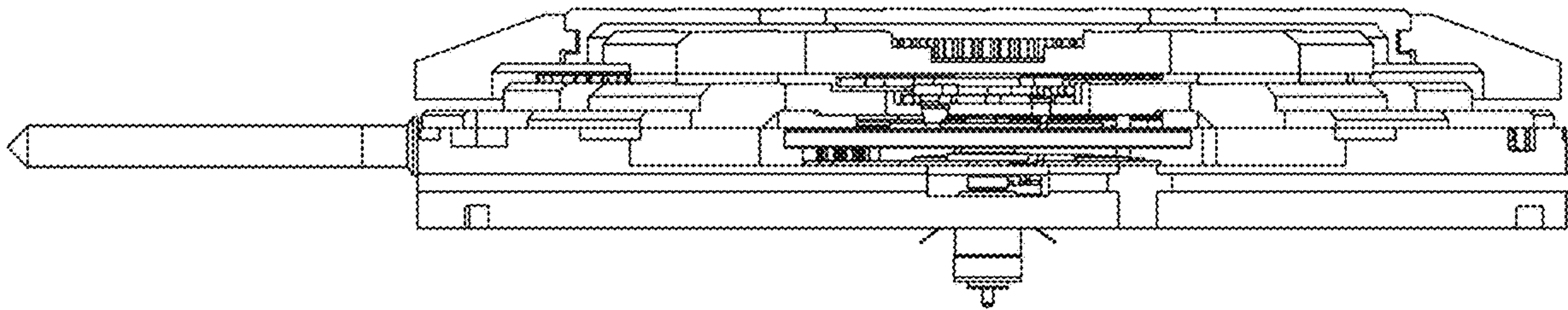
1 Claim, 14 Drawing Sheets



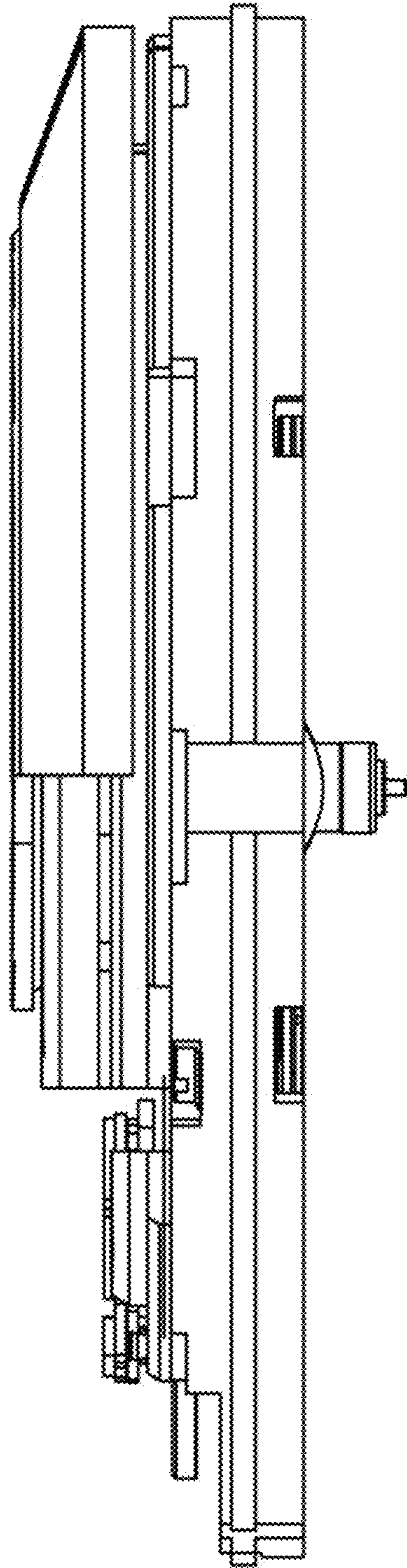
1.1



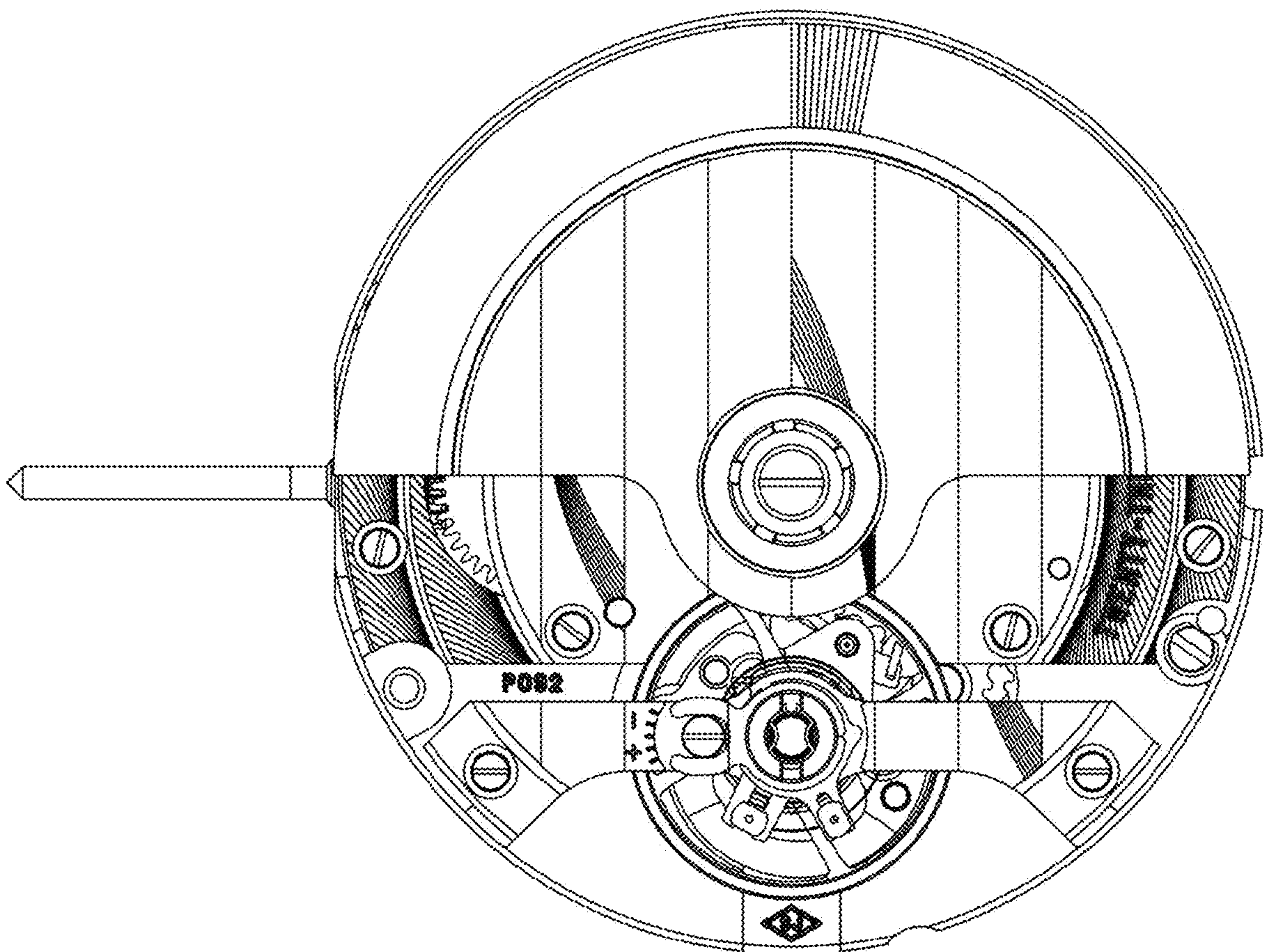
1.2



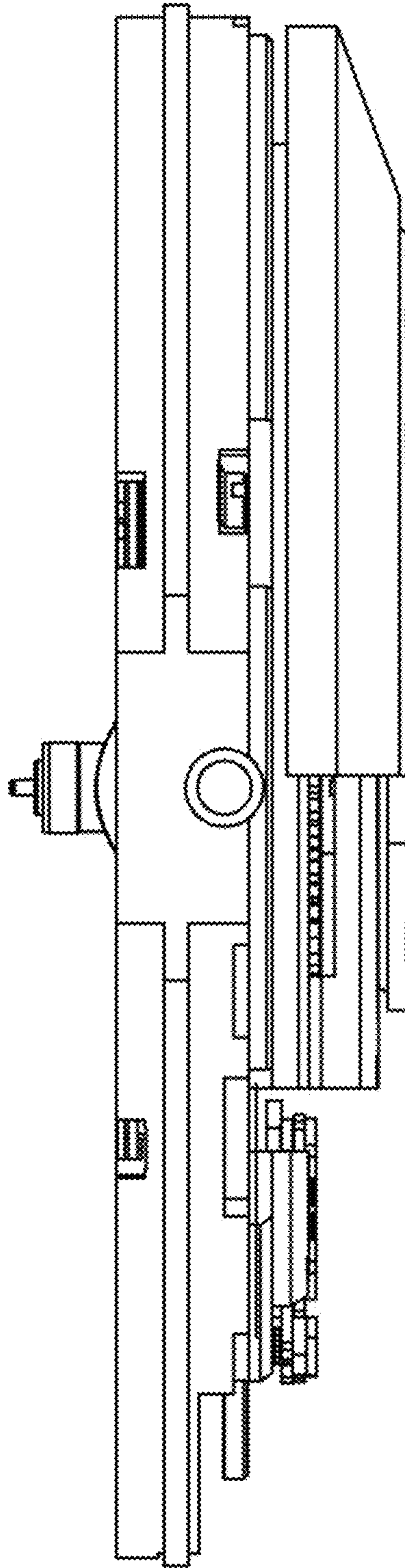
1.3



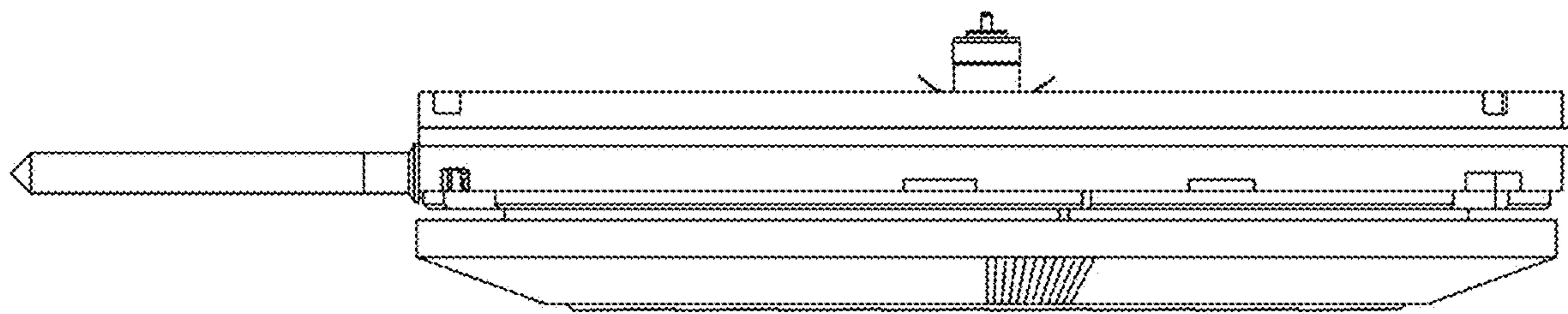
1.4



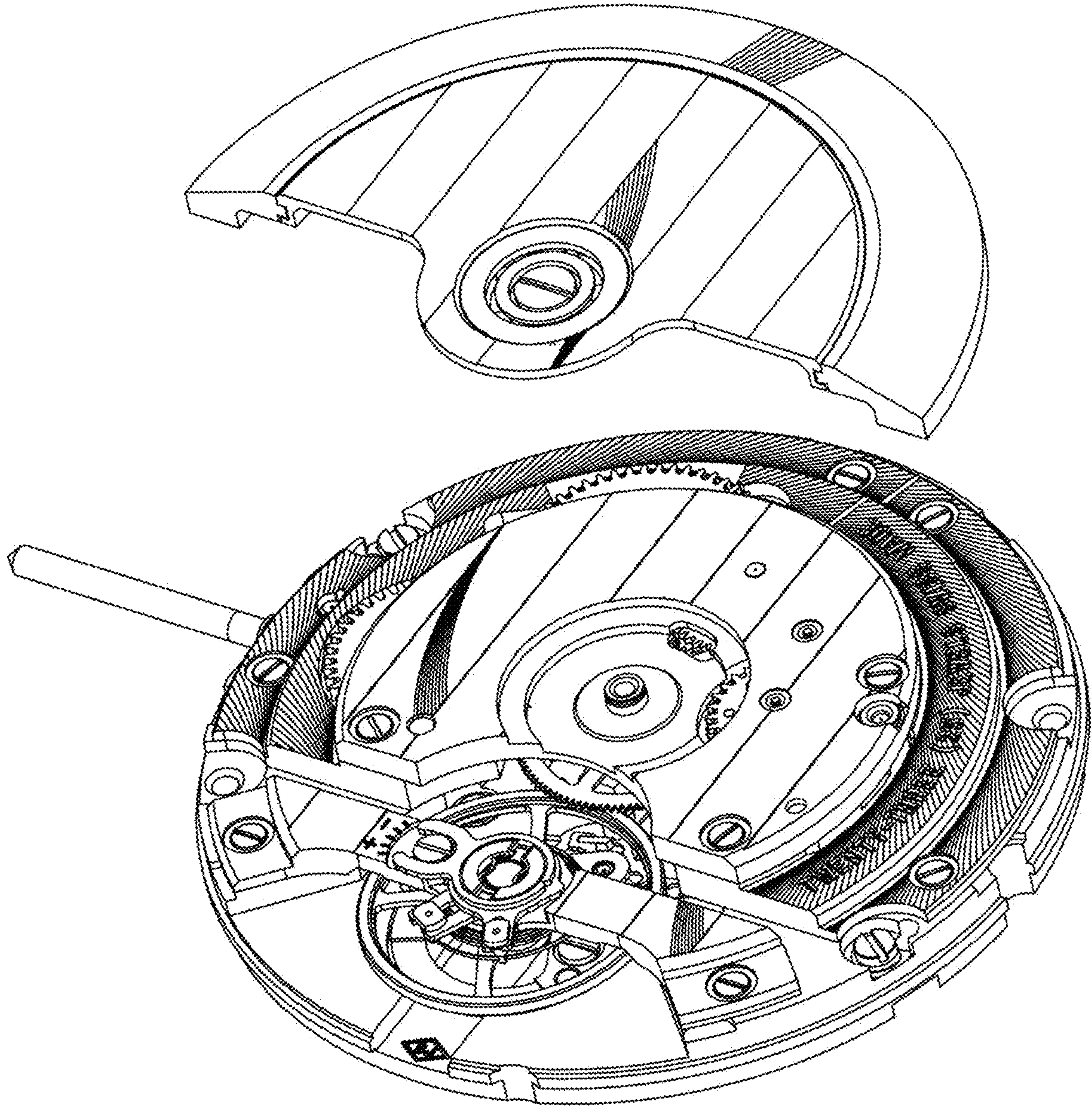
1.5



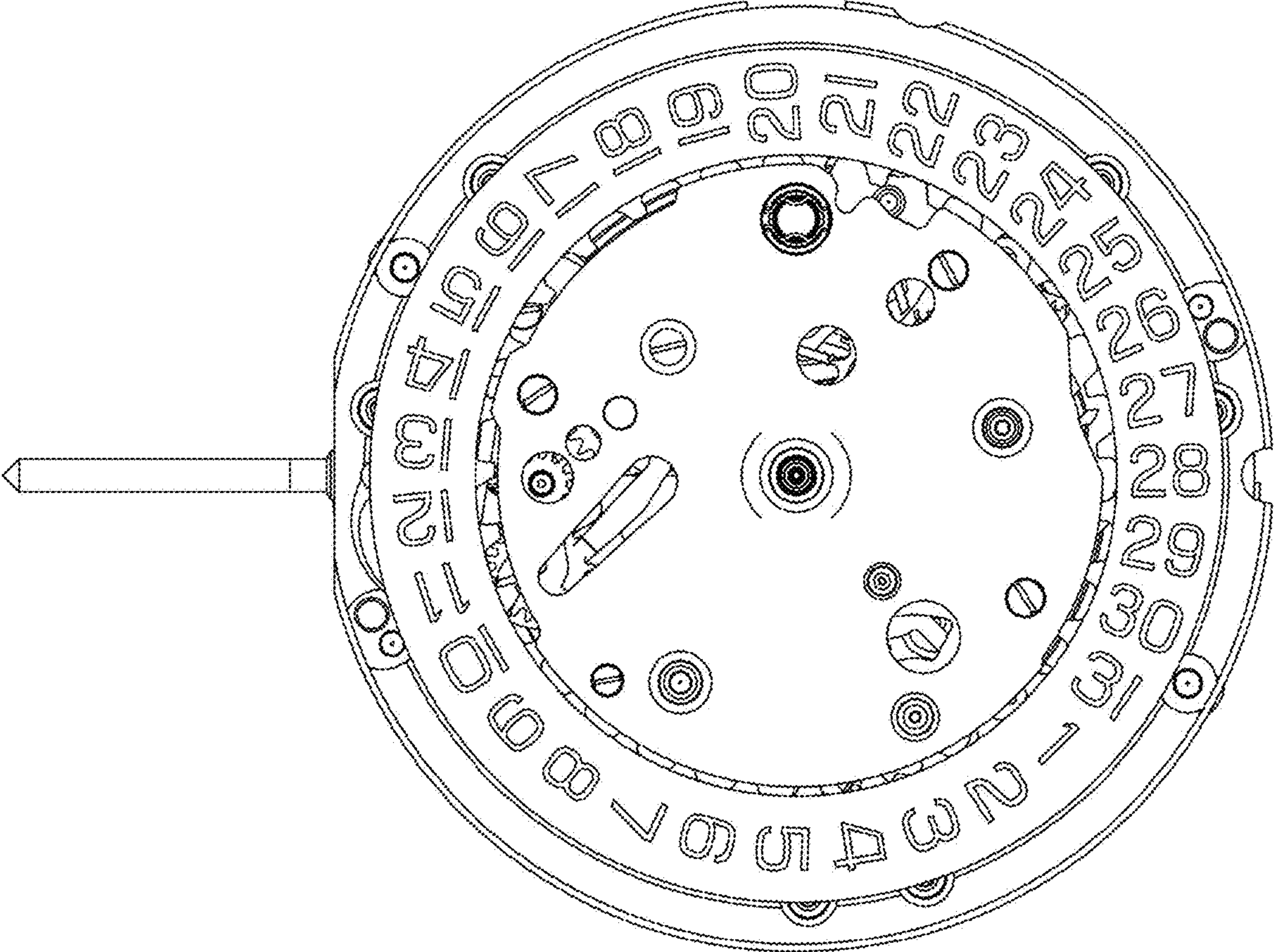
1.6



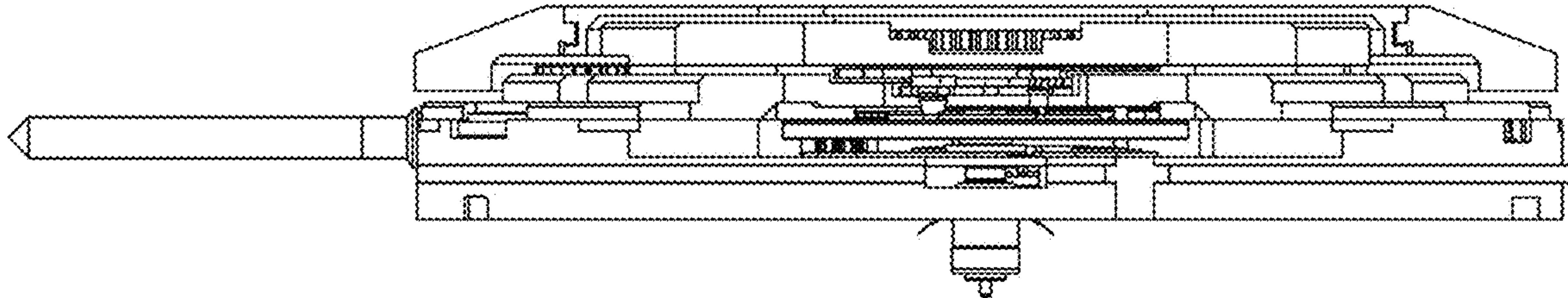
1.7



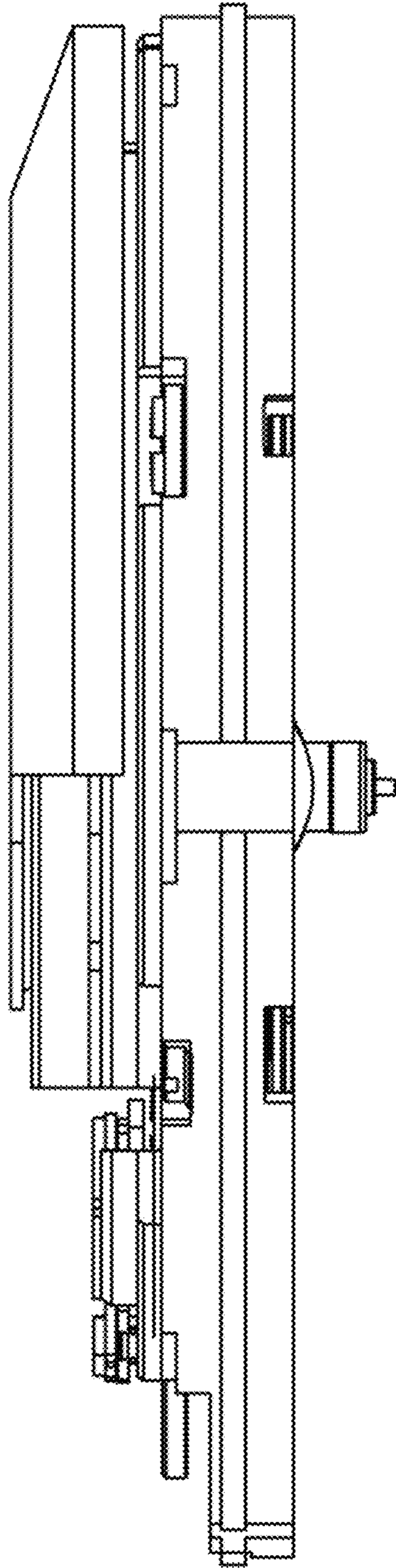
2.1



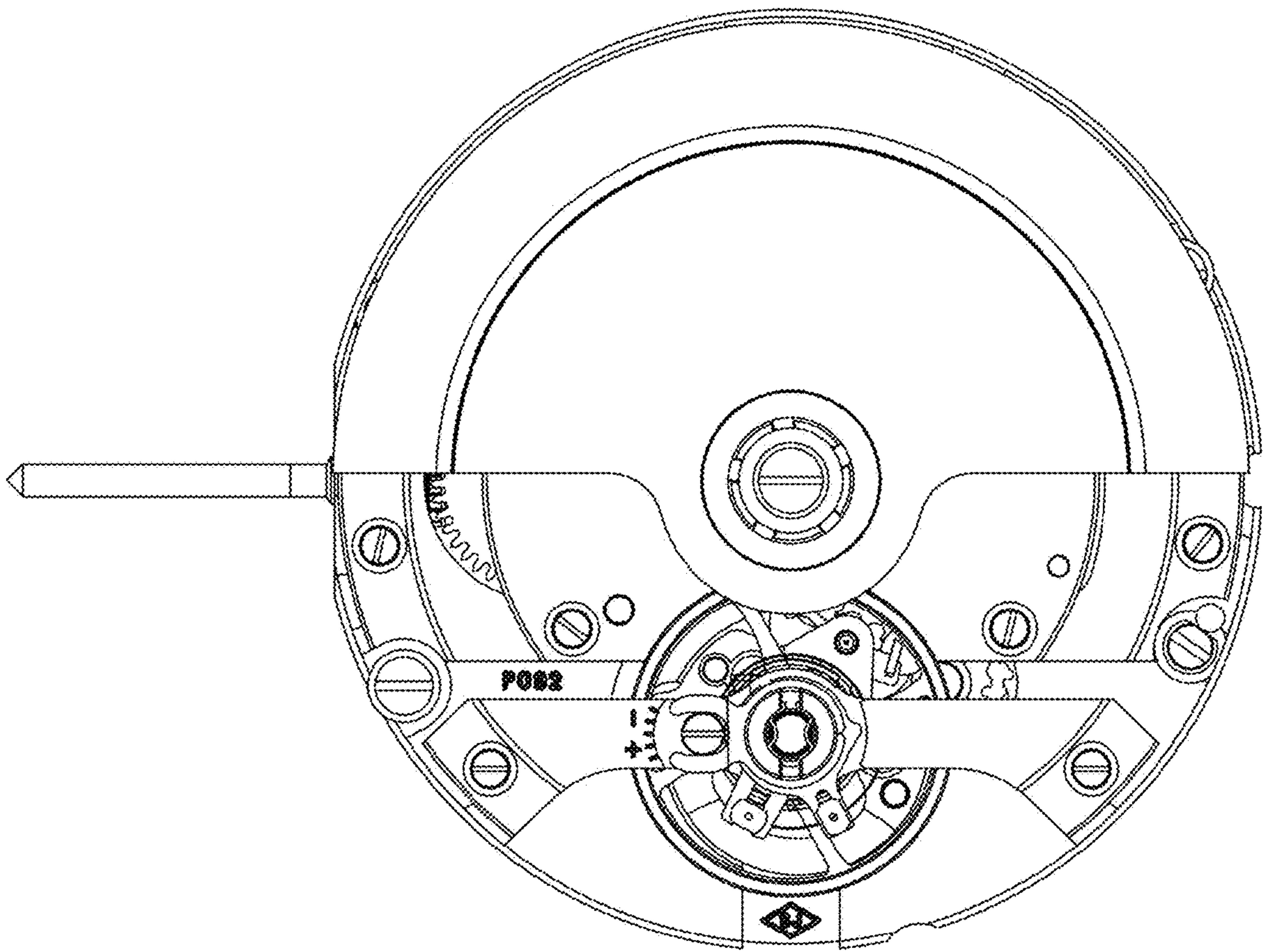
2.2



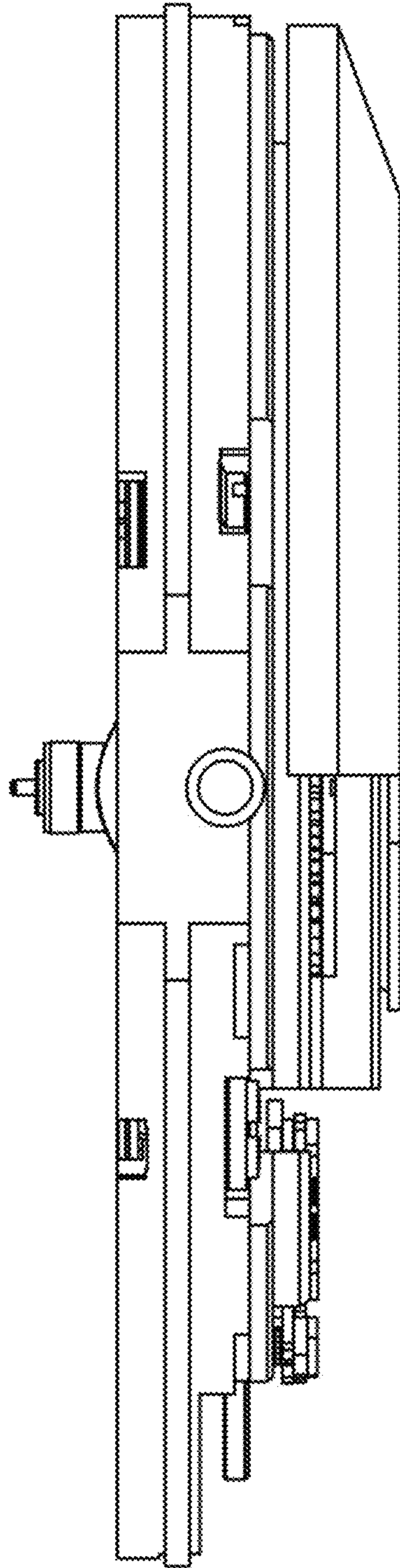
2.3



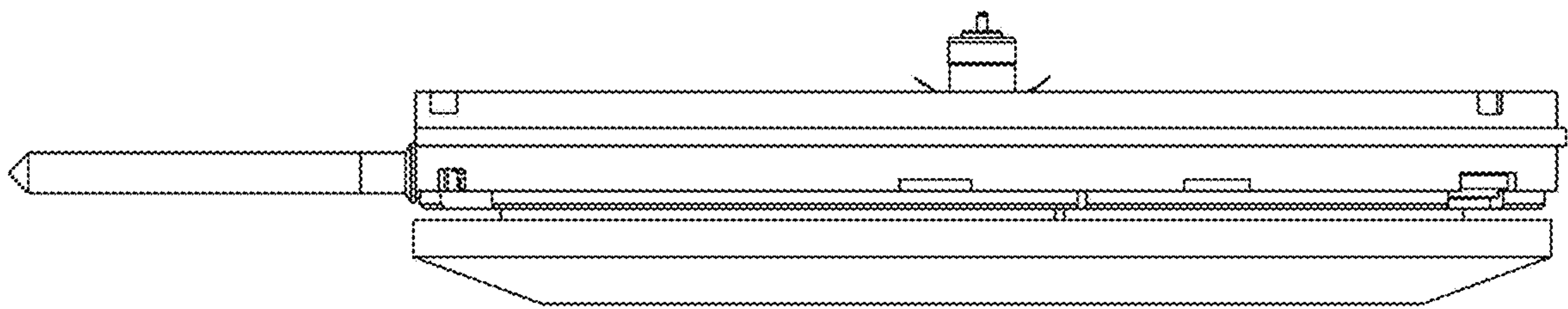
2.4



2.5



2.6



2.7

