



US00D918079S

(12) **United States Design Patent** (10) **Patent No.:** **US D918,079 S**
Scalisi et al. (45) **Date of Patent:** **** May 4, 2021**

(54) **DOORBELL**
(71) Applicant: **SkyBell Technologies, Inc.**, Irvine, CA (US)
(72) Inventors: **Joseph Frank Scalisi**, Yorba Linda, CA (US); **Joon Sung**, Riverside, CA (US)
(73) Assignee: **SkyBell Technologies IP, LLC**, Irvine, CA (US)

D392,576 S 3/1998 Pun
D392,907 S 3/1998 Buckley
D405,021 S 2/1999 Stelle
D418,770 S 1/2000 Ragan
D500,751 S 1/2005 Yukikado
7,015,943 B2 3/2006 Chiang
D519,100 S 4/2006 Shioya
D522,490 S 6/2006 Yukikado
D525,963 S 8/2006 Yukikado
7,113,578 B2 9/2006 Unger
D531,160 S 10/2006 Yukikado
D562,306 S 2/2008 Jeong
D574,742 S 8/2008 Spencer

(**) Term: **15 Years**

(Continued)

(21) Appl. No.: **29/719,304**

OTHER PUBLICATIONS

(22) Filed: **Jan. 2, 2020**

Feel The Nature; Modern Push Button Light Switch; Downloaded on Jun. 13, 2018 from <URL: <http://feelthenature.info/modern-push-button-light-switch/>>.

(51) **LOC (13) Cl.** **10-05**

(52) **U.S. Cl.**
USPC **D10/118.2**

(Continued)

(58) **Field of Classification Search**
USPC D10/106.6, 106.7, 106.8, 116.1, 118, D10/118.2, 121-124, 126; D13/171, 174; D14/358; D16/202, 203, 208, 209, 215
CPC ... G08B 3/00; G08B 3/10; G08B 7/00; G08B 7/06; G08B 13/1436; G08B 13/1463; G08B 13/1481

Primary Examiner — George D. Kirschbaum
Assistant Examiner — Joseph J Kukella

See application file for complete search history.

(57) **CLAIM**

The ornamental design for a doorbell, as shown and described.

(56) **References Cited**

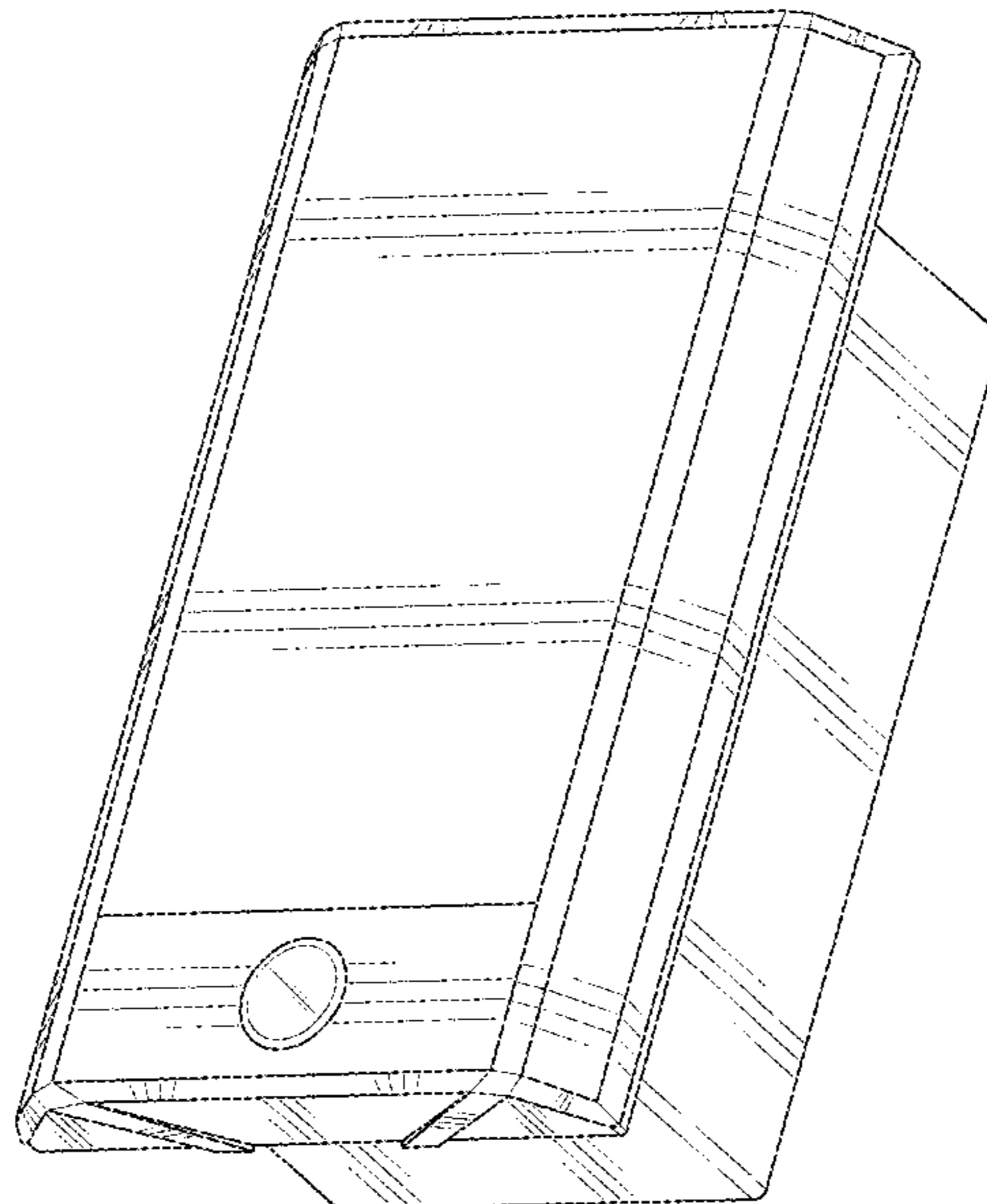
DESCRIPTION

U.S. PATENT DOCUMENTS

1,230,643 A 6/1917 Anderson
D179,803 S 3/1957 Gillette
4,172,967 A 10/1979 Porter
D283,130 S 3/1986 Boenning
D305,019 S 12/1989 Pena
D318,632 S 7/1991 Polacek
5,148,468 A 9/1992 Marrick
D335,283 S 5/1993 Justiniano
D344,036 S 2/1994 Yuen
D366,262 S 1/1996 Inaba
D381,638 S 7/1997 Kruse

FIG. 1 is a front, first side, and top perspective view of a doorbell embodying the new design;
FIG. 2 is a back, second side, and bottom perspective view thereof;
FIG. 3 is a front view thereof;
FIG. 4 is a back view thereof;
FIG. 5 is a first side view thereof;
FIG. 6 is a second side view thereof;
FIG. 7 is a top view thereof; and,
FIG. 8 is a bottom view thereof.

1 Claim, 8 Drawing Sheets



(56)

References Cited

U.S. PATENT DOCUMENTS

D575,316 S 8/2008 Liu
 D588,069 S 3/2009 Cummings
 D588,574 S 3/2009 Takahata
 D592,611 S 5/2009 Altonen
 D595,240 S 6/2009 Busbridge
 D595,260 S 6/2009 Takahata
 D605,542 S 12/2009 Ho
 D621,795 S 8/2010 Leung
 D623,605 S 9/2010 Flowers
 D633,930 S 3/2011 Dinger
 D635,102 S 3/2011 Tsui
 D636,286 S 4/2011 Khor
 D645,001 S 9/2011 Margolin
 D658,591 S 5/2012 Margolin
 D660,819 S 5/2012 Chen
 D707,147 S 6/2014 Crippa
 D710,727 S 8/2014 Siminoff
 D710,728 S 8/2014 Siminoff
 8,834,044 B2 9/2014 Uehara
 D728,509 S 5/2015 Hinkel
 D728,655 S 5/2015 Yang
 D736,717 S 8/2015 Duffy
 9,113,051 B1 8/2015 Scalisi
 D747,386 S 1/2016 Li
 9,230,424 B1 1/2016 Scalisi
 D754,231 S 4/2016 Murray
 D764,958 S 8/2016 Scalisi
 D765,530 S 9/2016 Scalisi
 D766,864 S 9/2016 Tani
 D766,865 S 9/2016 Tani
 D776,068 S 1/2017 Maffetone
 D778,195 S 2/2017 Li
 9,584,775 B2 2/2017 Siminoff
 D787,359 S 5/2017 Scalisi
 D788,061 S 5/2017 Siminoff
 D788,834 S 6/2017 Bhattacharya
 D789,820 S 6/2017 Siminoff
 D793,268 S 8/2017 Ye
 D795,940 S 8/2017 Huang
 D798,177 S 9/2017 Siminoff
 9,769,435 B2 9/2017 Scalisi
 D800,592 S 10/2017 Jean
 D801,843 S 11/2017 Siminoff
 D802,463 S 11/2017 Siminoff
 D802,644 S 11/2017 Lee
 D805,941 S * 12/2017 Jou D10/106.6
 D806,773 S 1/2018 Wieser
 D806,774 S 1/2018 Ahman
 D813,700 S 3/2018 Scalisi
 D813,701 S 3/2018 Scalisi
 D816,528 S 5/2018 Wen
 D817,207 S 5/2018 Scalisi
 D817,208 S * 5/2018 Ravat D10/118.2
 D818,514 S 5/2018 Ahman
 D820,136 S 6/2018 Scalisi

D822,519 S * 7/2018 Siminoff D10/118.2
 10,041,639 B1 8/2018 Thompson
 D840,856 S 2/2019 Scalisi
 D840,857 S 2/2019 Scalisi
 D842,244 S * 3/2019 Li D13/108
 D844,560 S * 4/2019 Miller D13/108
 D849,082 S * 5/2019 Boling D16/202
 D858,338 S * 9/2019 Yu D10/118.2
 D889,301 S * 7/2020 Siminoff D10/118.2
 2004/0124978 A1 7/2004 Chen
 2008/0036862 A1 2/2008 Lang
 2013/0045763 A1 2/2013 Ruiz
 2013/0335568 A1 12/2013 Tang
 2014/0125754 A1 5/2014 Haywood
 2014/0301729 A1 10/2014 Okamura
 2015/0022618 A1 1/2015 Siminoff
 2015/0049191 A1 2/2015 Scalisi
 2015/0228167 A1 8/2015 Scalisi
 2016/0191864 A1 6/2016 Siminoff
 2016/0284170 A1 9/2016 Kasmir
 2016/0300476 A1 10/2016 Kasmir
 2017/0048495 A1 2/2017 Scalisi
 2017/0084131 A1 3/2017 Harrison
 2017/0084132 A1 3/2017 Scalisi
 2017/0280109 A1 9/2017 Scalisi
 2017/0339262 A1 11/2017 Scalisi
 2017/0373876 A1 12/2017 Scalisi
 2017/0373877 A1 12/2017 Scalisi
 2018/0069722 A1 3/2018 Scalisi

OTHER PUBLICATIONS

Forbes; The Invisible Light Switch; Downloaded on Jun. 13, 2018 from <URL: <https://web.archive.org/web/20130404165907/https://www.forbesandlomag.com/the-invisible-lightswitch.html>>.
 Amazon; Wireless Doorbell and Wireless Intercom Doorbell; Downloaded on Jun. 13, 2018 from <URL: <https://www.amazon.com/Wireless-Doorbell-Intercom-Operating-Napok/dp/B071FR8J41>>.
 Etsy; 2 Vintage Intercom Push Button Boxes Desktop Bakelite 1872 Edwards; Downloaded on Jun. 13, 2018 from <URL: <https://www.etsy.com/listing/599141432/2-vintage-intercom-push-button-boxes>>.
 Home Depot; Nest Wired Hello Door Bell Push Button, White; Downloaded on Jun. 13, 2018 from <URL: <https://www.homedepot.com/p/Nest-Wired-Hello-Door-Bell-Push-Button-White-NC5100US/302997805>>.
 Toms Guide; Best Video Doorbells of 2018; Downloaded on Jun. 13, 2018 from <URL: <https://www.tomsguide.com/us/best-video-doorbells,review-4468.html>>.
 Youtube; Wi-Fi Video Door Intercom + Door Bell—CVAEQ-J118; Downloaded on Jun. 13, 2018 from <URL: https://www.youtube.com/watch?v=CFcaYI_K19E>.
 Blink For Home; Blink XT Add on Camera—Refurbished; Downloaded on Jun. 13, 2018 from <URL: <https://blinkforhome.com/products/blinkxt-refurbished>>.

* cited by examiner

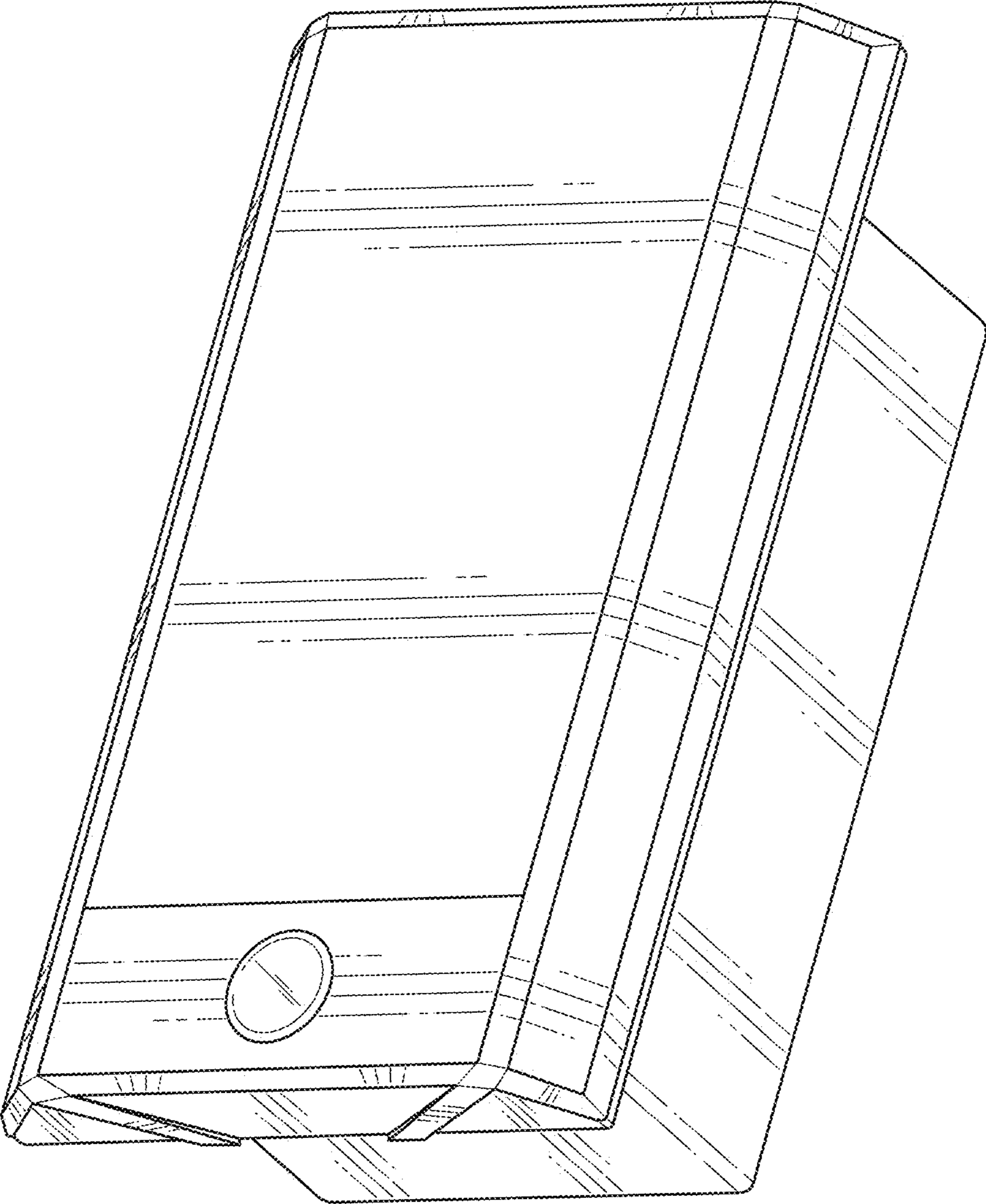


FIG. 1

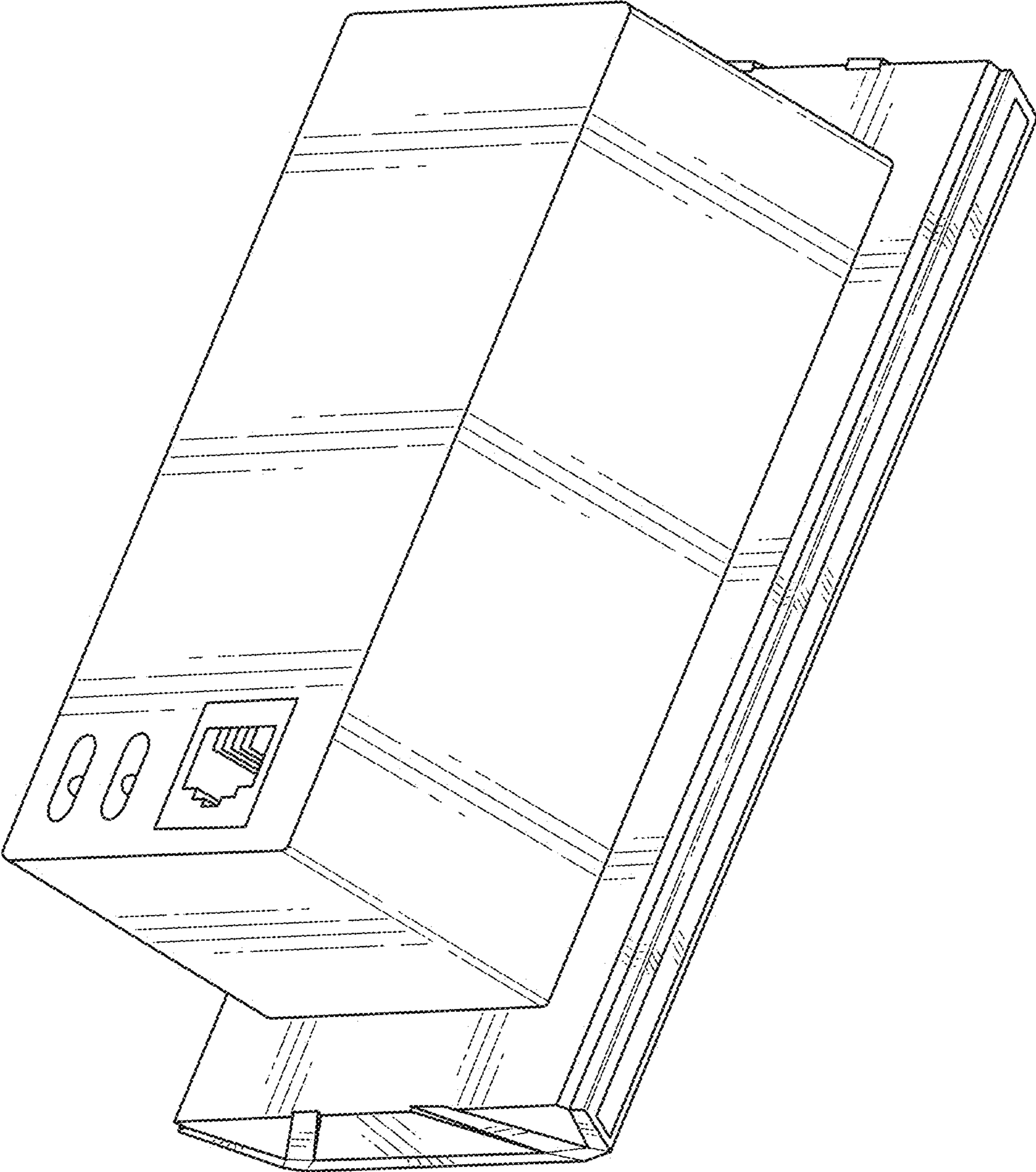


FIG. 2

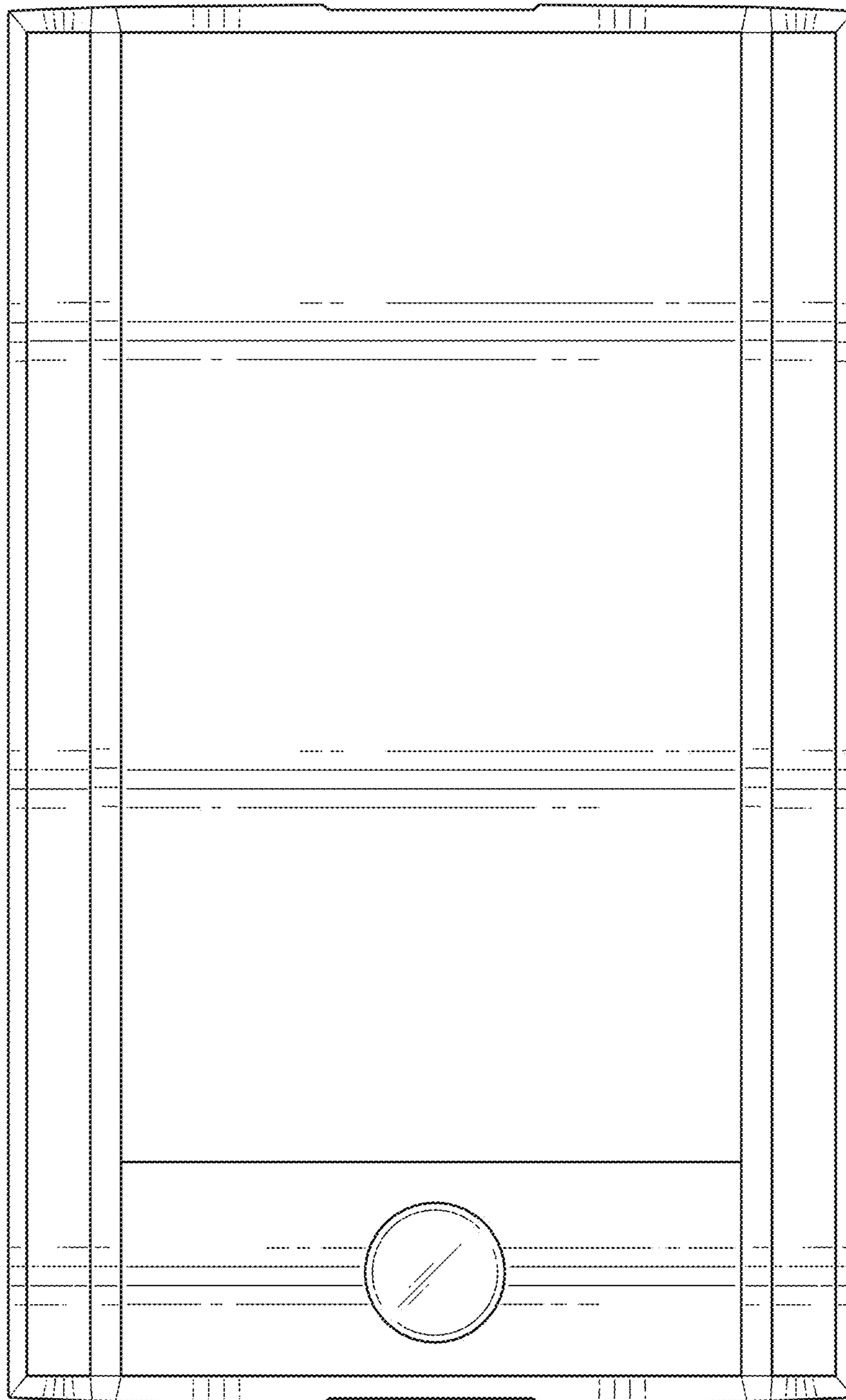


FIG. 3

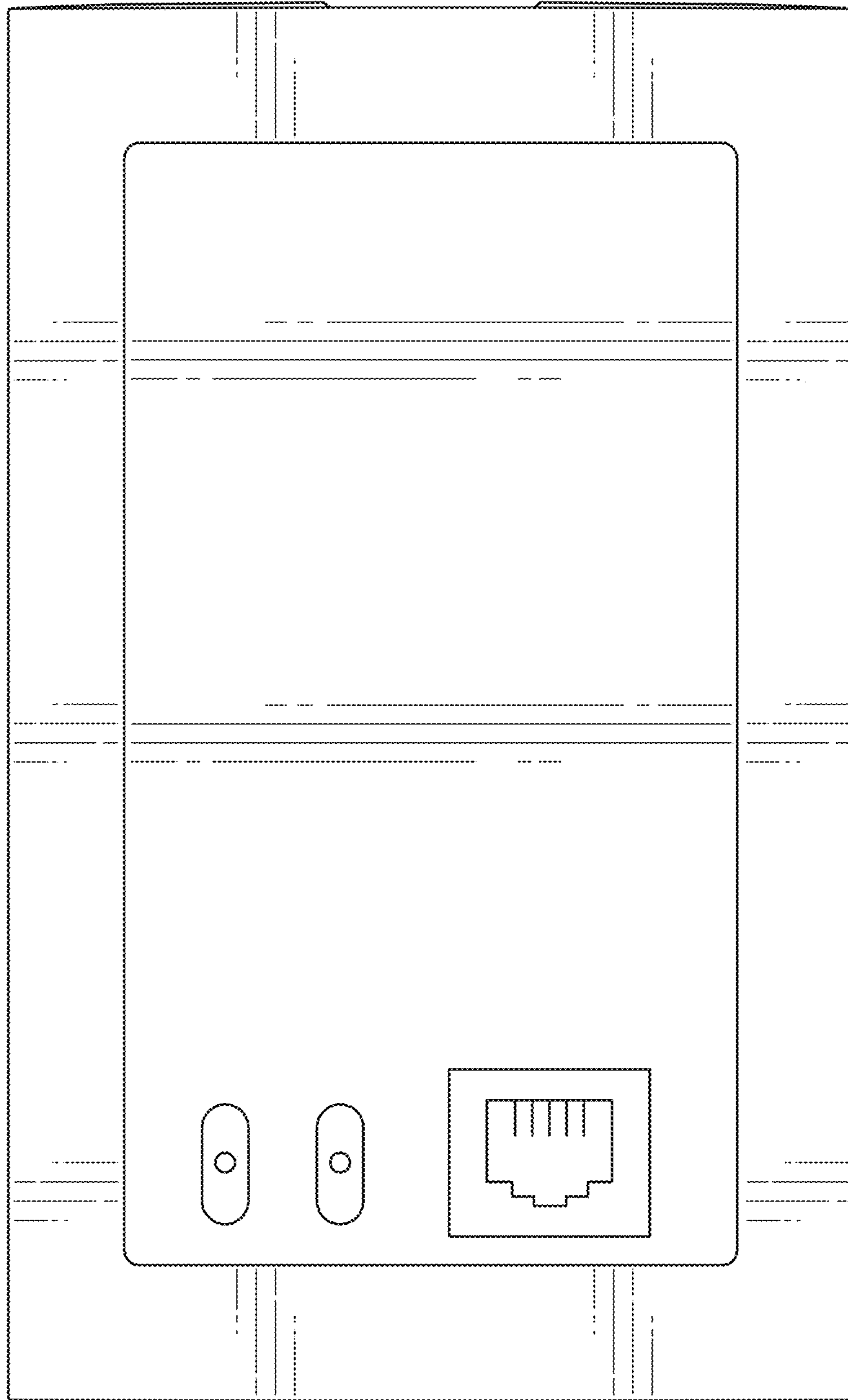


FIG. 4

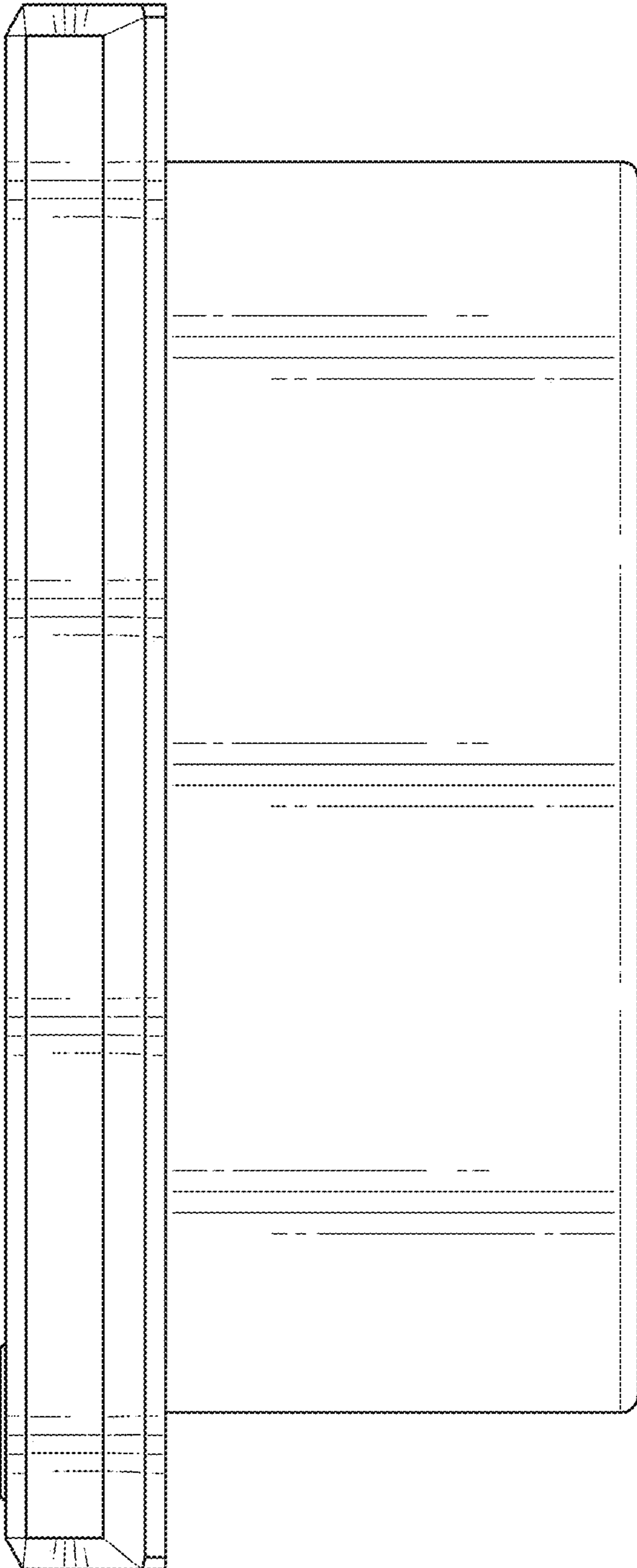


FIG. 5

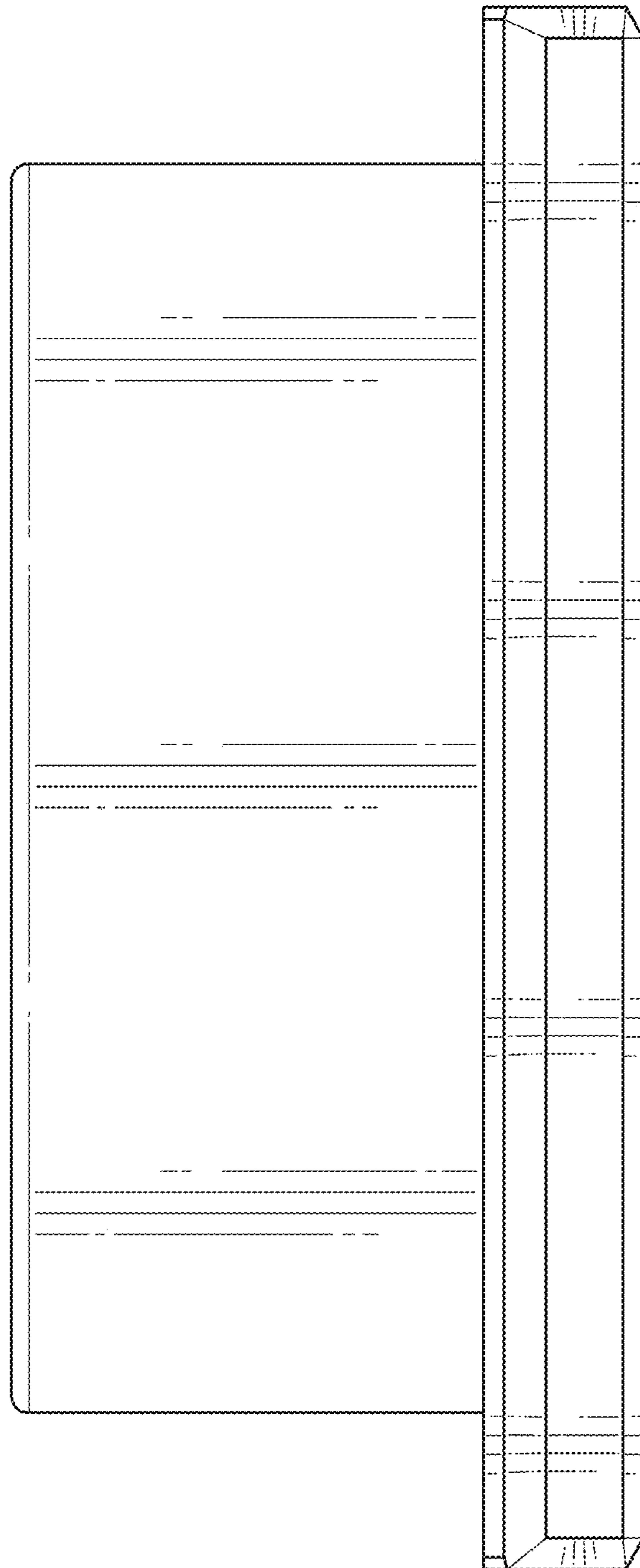


FIG. 6

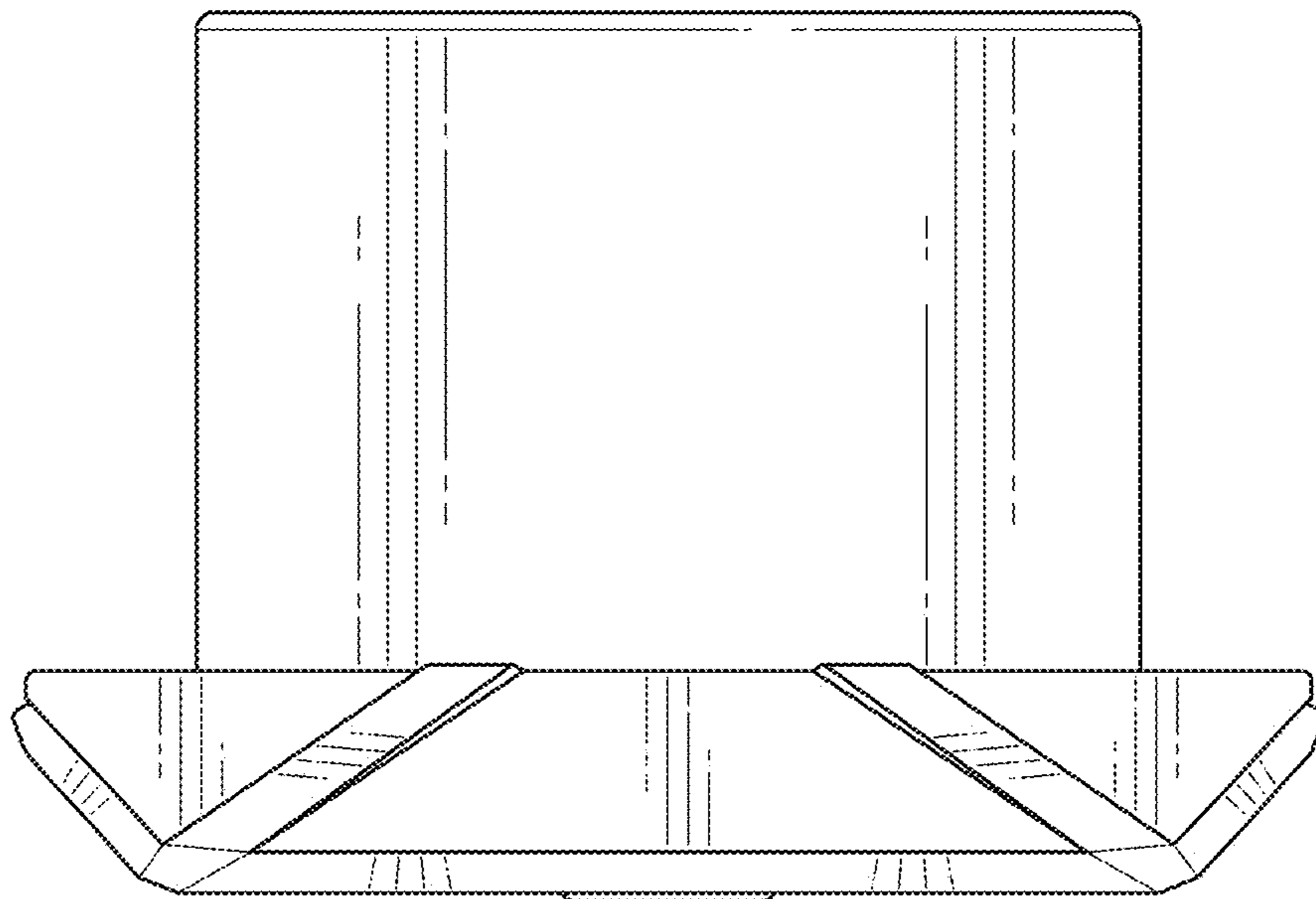


FIG. 7

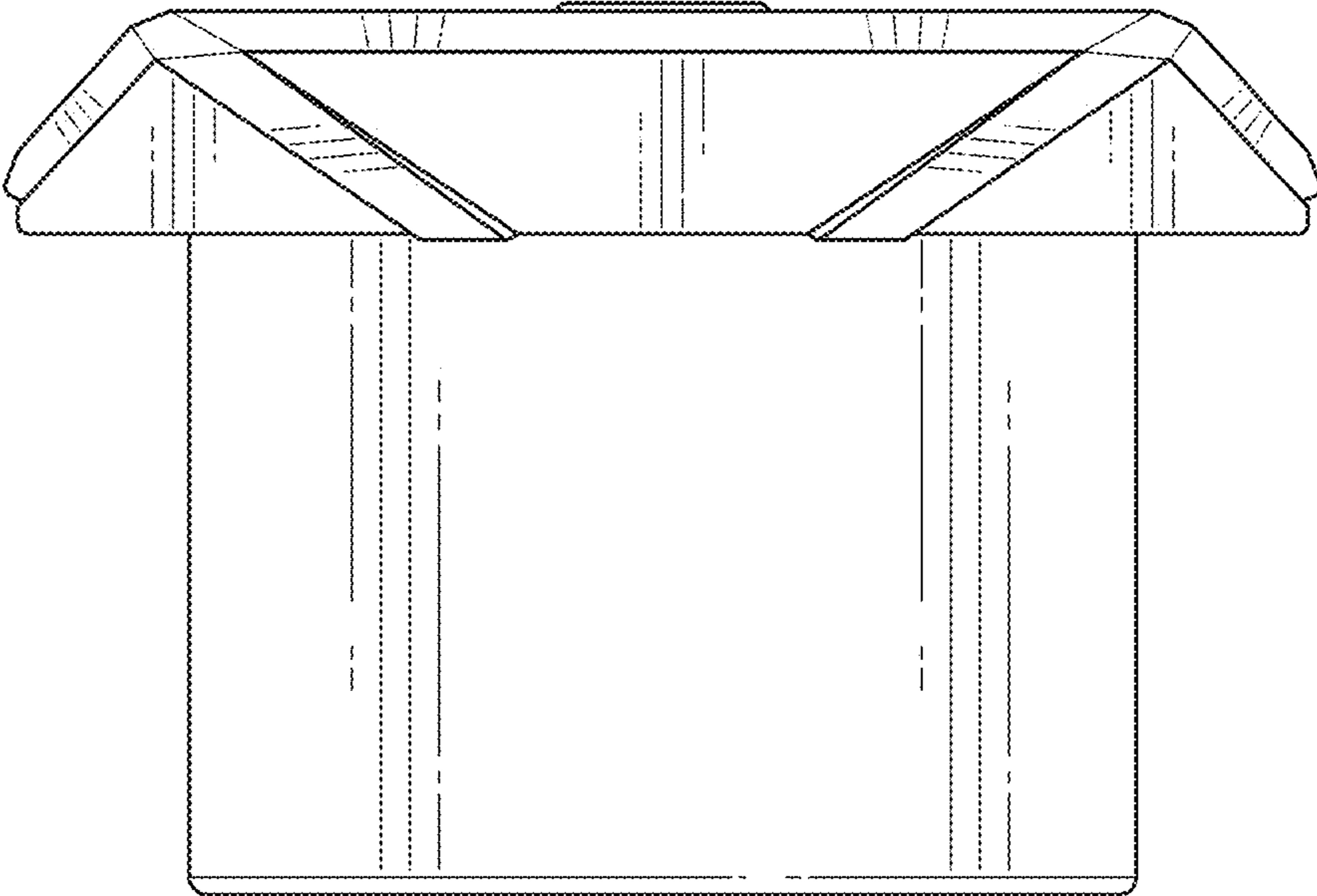


FIG. 8