



US00D918078S

(12) **United States Design Patent** (10) **Patent No.:** **US D918,078 S**
Domingo (45) **Date of Patent:** **** May 4, 2021**

(54) **ILLUMINATED HAZARD TRIANGLE**

(71) Applicant: **Joseph F. Domingo**, Elmhurst, IL (US)

(72) Inventor: **Joseph F. Domingo**, Elmhurst, IL (US)

(**) Term: **15 Years**

(21) Appl. No.: **29/719,166**

(22) Filed: **Dec. 31, 2019**

(51) **LOC (13) Cl.** **10-05**

(52) **U.S. Cl.**
USPC **D10/113.4**

(58) **Field of Classification Search**
USPC D10/109.1, 113.4
See application file for complete search history.

(56) **References Cited**

U.S. PATENT DOCUMENTS

2,358,867	A	9/1944	Madan	
3,821,860	A	7/1974	Patty	
3,970,033	A	7/1976	Lindner et al.	
D323,303	S *	1/1992	Johansson	D10/111
5,276,591	A	1/1994	Hegarty	
5,806,961	A	9/1998	Dalton et al.	
D409,515	S *	5/1999	Chen	D10/113.4
5,970,639	A	10/1999	Hui	
6,204,777	B1	3/2001	Lyons	
D446,465	S *	8/2001	Sloot	D10/113.4
6,293,678	B1	9/2001	Schieferstein	
6,776,579	B2	8/2004	Shiratori et al.	
D507,502	S *	7/2005	Willnow	D10/113.4
D544,804	S *	6/2007	Chen	D10/113.4
D557,625	S *	12/2007	Yu	D10/113.4
D558,627	S *	1/2008	Bowers	D10/113.4
8,021,009	B2	9/2011	Knoll et al.	

(Continued)

FOREIGN PATENT DOCUMENTS

CN	204254295	4/2015
JP	2004073860	3/2004

OTHER PUBLICATIONS

2-Sided Hand-Held Stop-Slow Sign, STOPSignsAndMore.com; Sep. 5, 2015; <http://stopsignsandmore.com/p-84-2-sided-handheld-stop-slow-sign-18x18.aspx>; 2 pages.

(Continued)

Primary Examiner — George D. Kirschbaum

(74) *Attorney, Agent, or Firm* — Lempia Summerfield Katz LLC

(57) **CLAIM**

The ornamental design for an illuminated hazard triangle, as shown and described.

DESCRIPTION

FIG. 1 is a top, front, and left side perspective view showing my new design for an illuminated hazard triangle.

FIG. 2 is a front view of the illuminated hazard triangle shown in FIG. 1.

FIG. 3 is a rear view of the illuminated hazard triangle shown in FIG. 1.

FIG. 4 is a right side view of the illuminated hazard triangle shown in FIG. 1.

FIG. 5 is a left side view of the illuminated hazard triangle shown in FIG. 1.

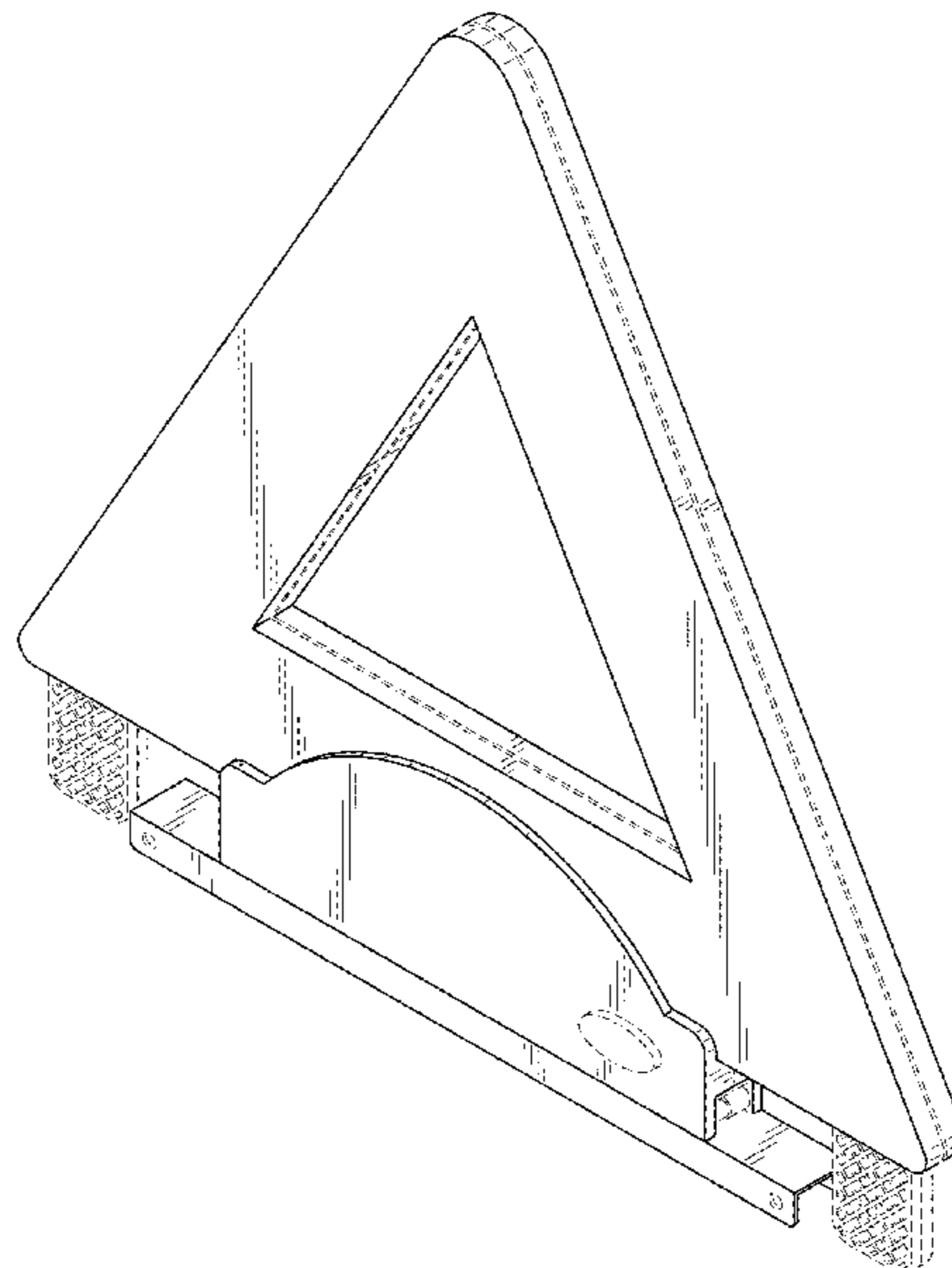
FIG. 6 is a top view of the illuminated hazard triangle shown in FIG. 1.

FIG. 7 is a bottom view of the illuminated hazard triangle shown in FIG. 1; and,

FIG. 8 is a top, front, and left perspective view of the illuminated hazard triangle shown in FIG. 1, shown in an alternate position.

The broken line showing is included for the purpose of illustrating portions of the “article” and forms no part of the claimed design.

1 Claim, 5 Drawing Sheets



(56)

References Cited

U.S. PATENT DOCUMENTS

D793,890	S	*	8/2017	Hong	D10/113.4
9,857,520	B2		1/2018	Parker et al.		
2004/0046678	A1		3/2004	Grady		
2004/0137189	A1		7/2004	Tellini		
2006/0181432	A1		8/2006	Monteith et al.		
2008/0272714	A1		11/2008	Noble et al.		
2010/0197148	A1		8/2010	Rudisill et al.		
2011/0075440	A1		3/2011	Wang		
2011/0199757	A1		8/2011	Cheng		
2012/0163022	A1		6/2012	Bakker		
2012/0268966	A1		10/2012	McCollum		
2012/0275142	A1		11/2012	Lundy		
2013/0051061	A1		2/2013	Yoo		
2016/0356439	A1		12/2016	Inskeep		

OTHER PUBLICATIONS

ISR dated Jun. 2, 2017, International Search Report and Written Opinion cited in the International PCT Application No. PCT/US2017/021919; dated Jun. 2, 2017; 11 pages.
Triangle Shaped Hand Fan, Inkhead.com; <https://www.inkhead.com/triangle-hand-fan/9471>; Apr. 20, 2012.

* cited by examiner

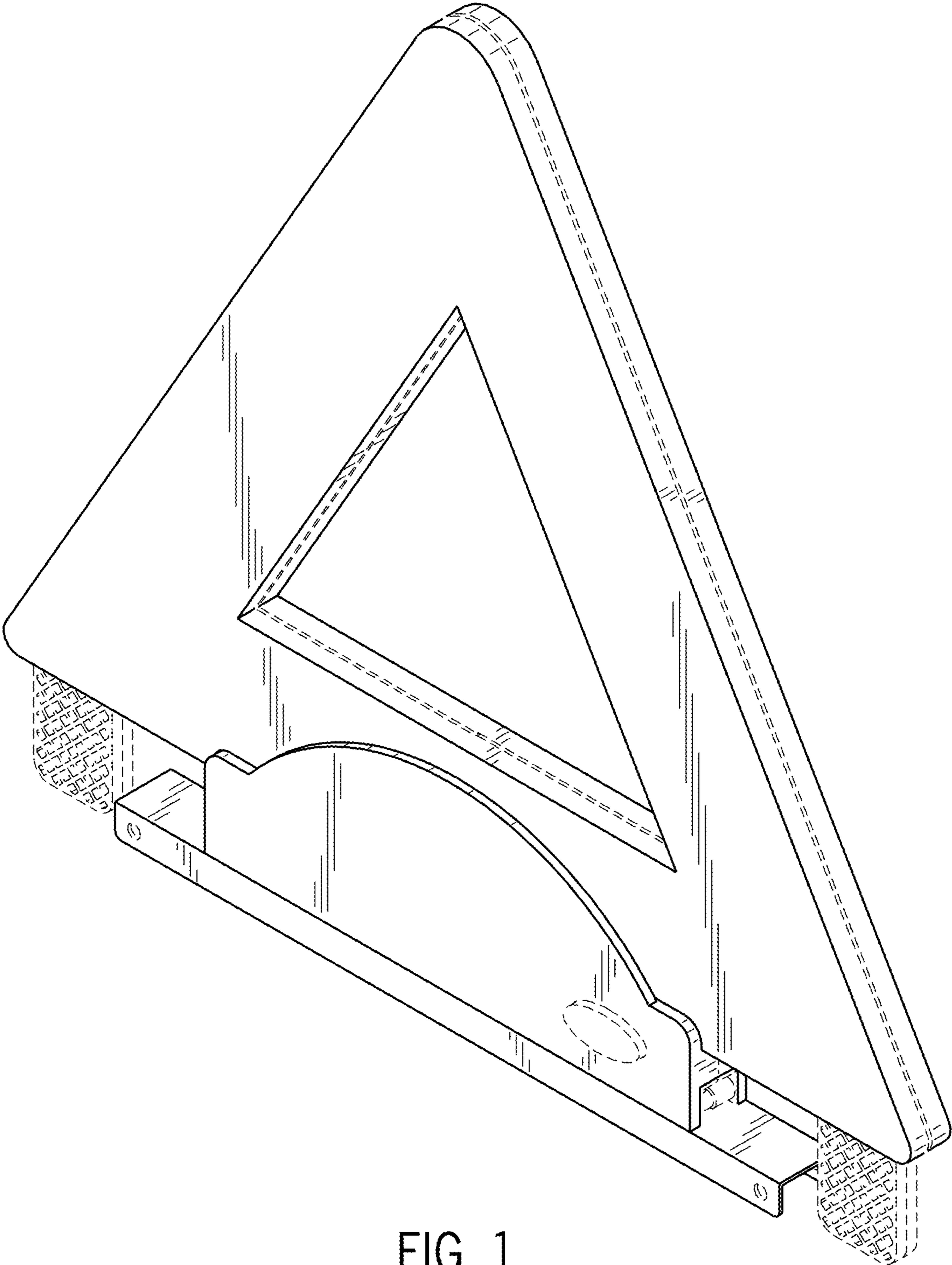


FIG. 1

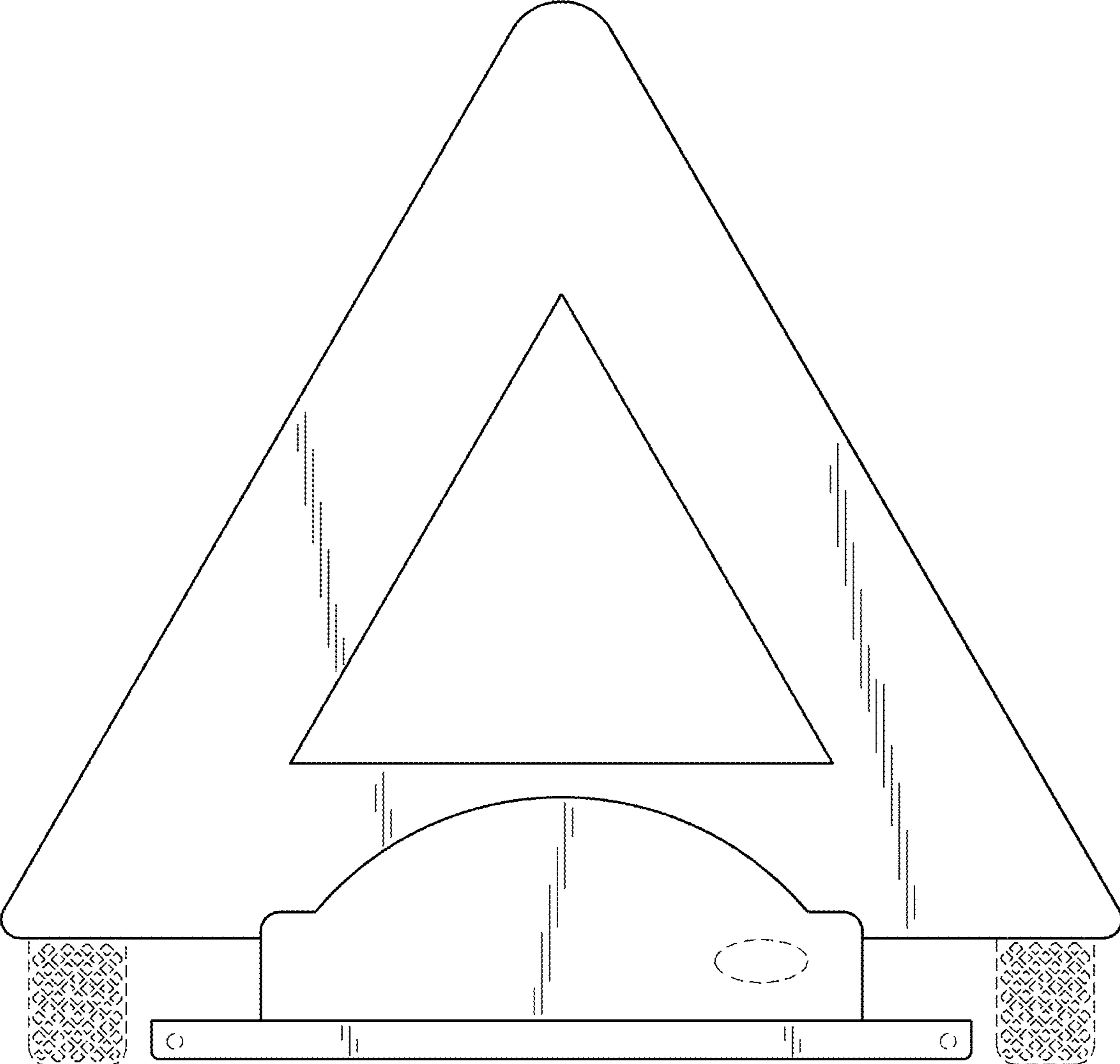


FIG. 2

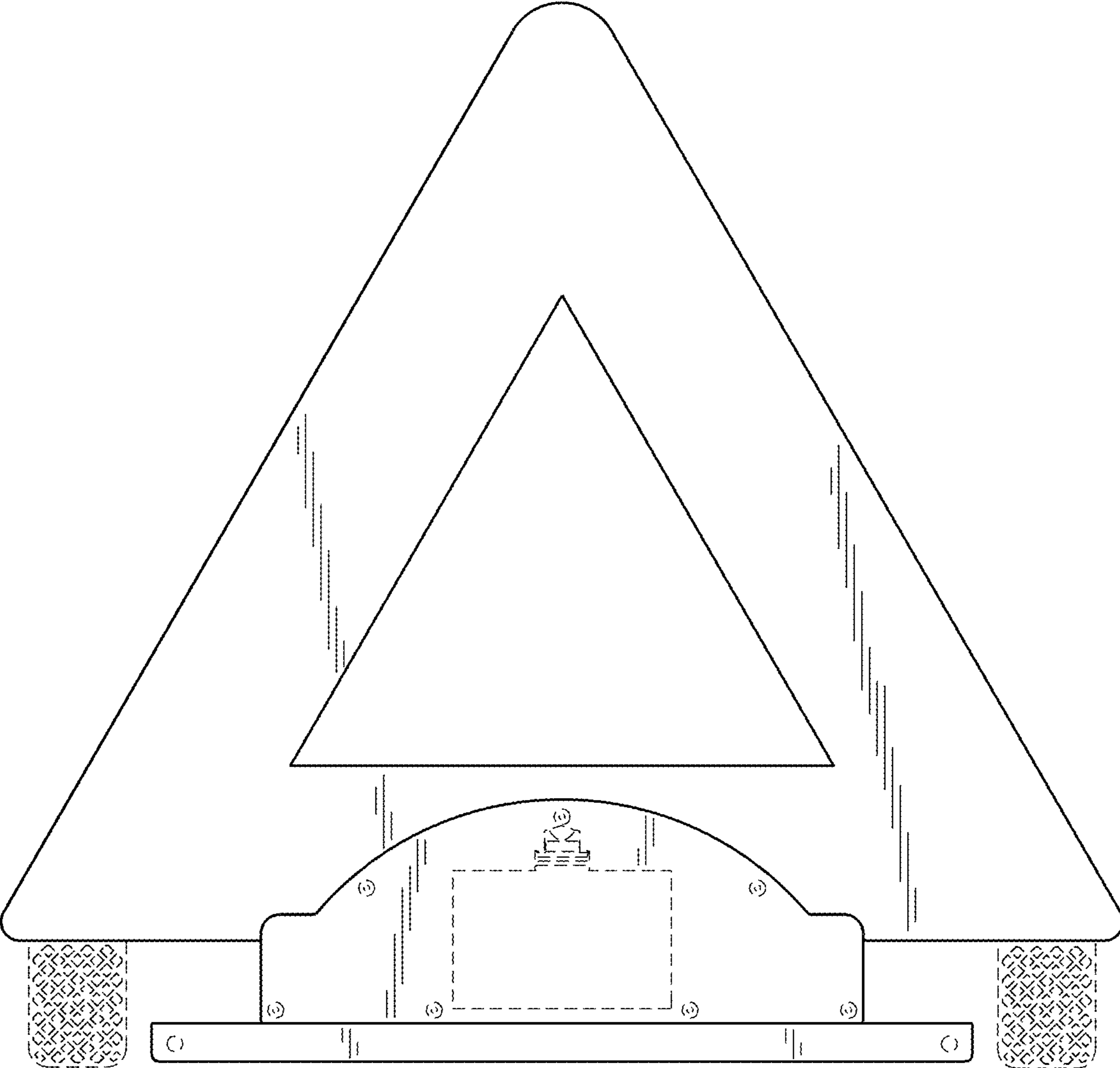


FIG. 3

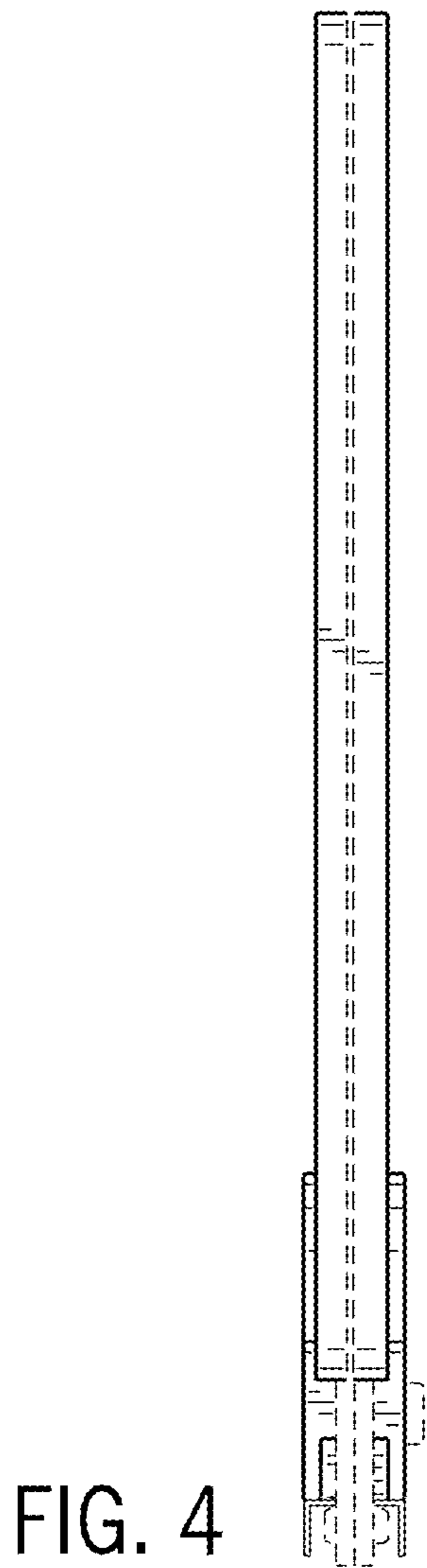


FIG. 4

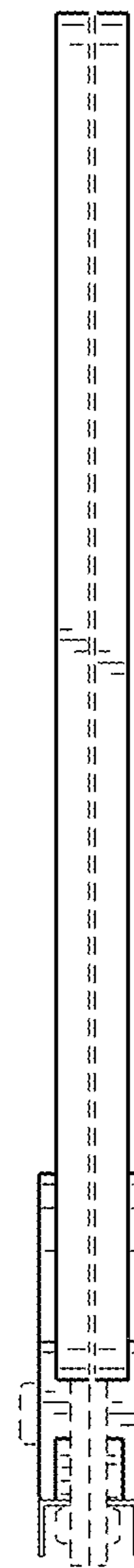


FIG. 5

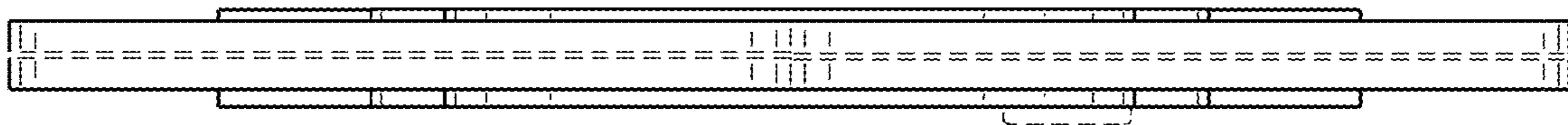


FIG. 6

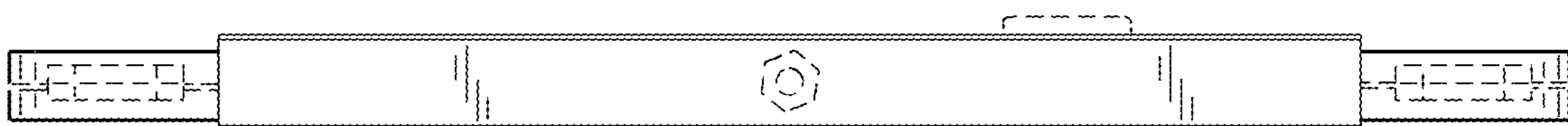


FIG. 7

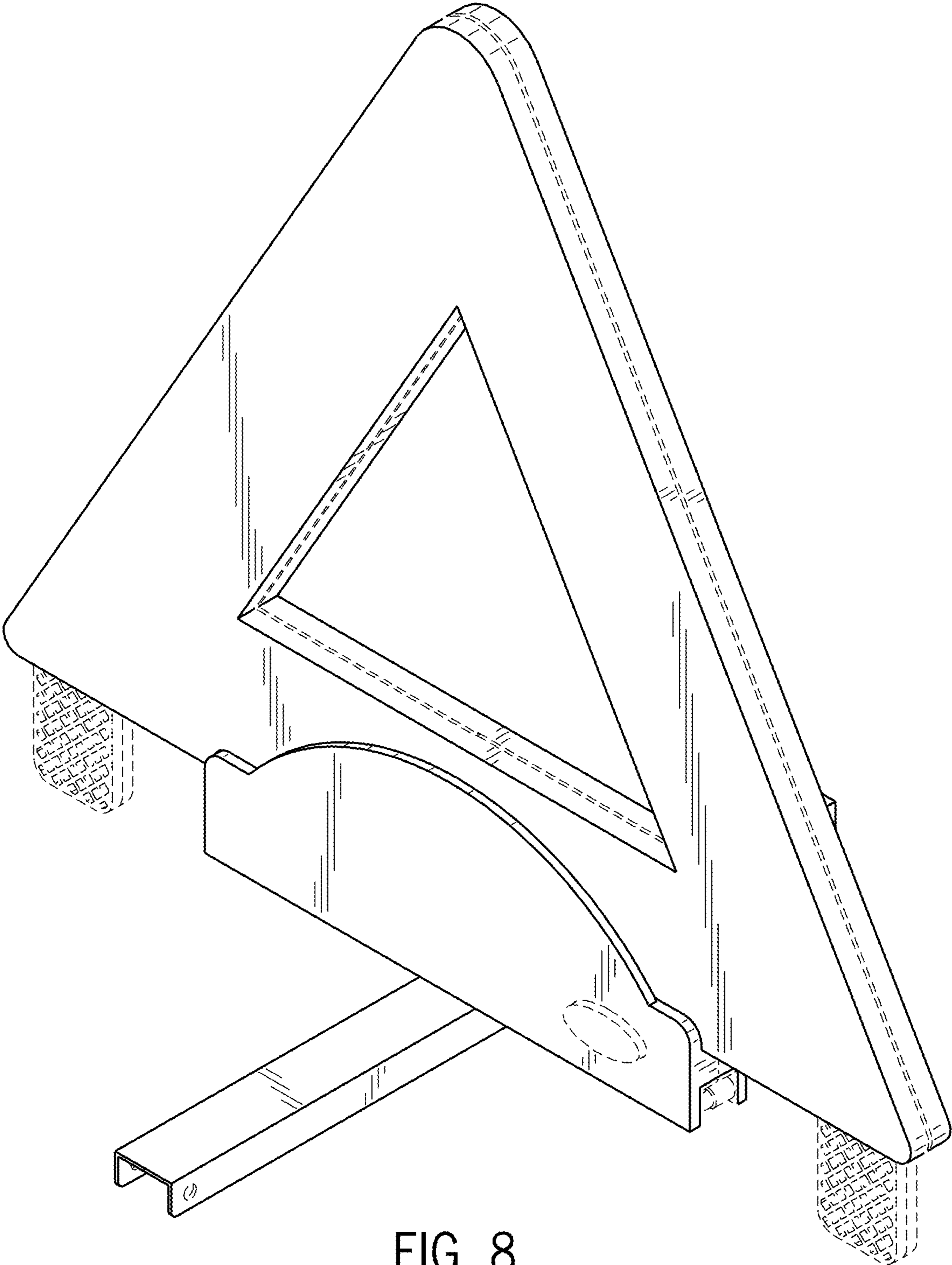


FIG. 8