



US00D918076S

(12) **United States Design Patent** (10) **Patent No.:** **US D918,076 S**
Briggs (45) **Date of Patent:** **** May 4, 2021**

(54) **DIAGNOSTIC TESTING APPARATUS OTHER THAN FOR MEDICAL OR LABORATORY PURPOSES**

(71) Applicant: **HELLA GUTMANN SOLUTIONS GMBH, Ihringen (DE)**

(72) Inventor: **Ian Briggs, Stuttgart (DE)**

(**) Term: **15 Years**

(21) Appl. No.: **35/504,360**

(22) Filed: **Jan. 12, 2018**

(80) **Hague Agreement Data**

Int. Filing Date: **Jan. 12, 2018**

Int. Reg. No.: **DM/099333**

Int. Reg. Date: **Jan. 12, 2018**

Int. Reg. Pub. Date: **Feb. 2, 2018**

(51) **LOC (13) Cl.** **10-04**

(52) **U.S. Cl.**
USPC **D10/78**

(58) **Field of Classification Search**
USPC D10/78, 108, 104.1
See application file for complete search history.

(56) **References Cited**

U.S. PATENT DOCUMENTS

D626,550 S *	11/2010	Julien	D14/341
D665,687 S *	8/2012	Lee	D10/108
D679,018 S *	3/2013	Fullerton	D24/167
D752,460 S *	3/2016	Gnauck	D10/78
D789,362 S *	6/2017	Eljas	D14/366
D832,838 S *	11/2018	Monroe	D14/358

* cited by examiner

Primary Examiner — George D. Kirschbaum

(57) **CLAIM**

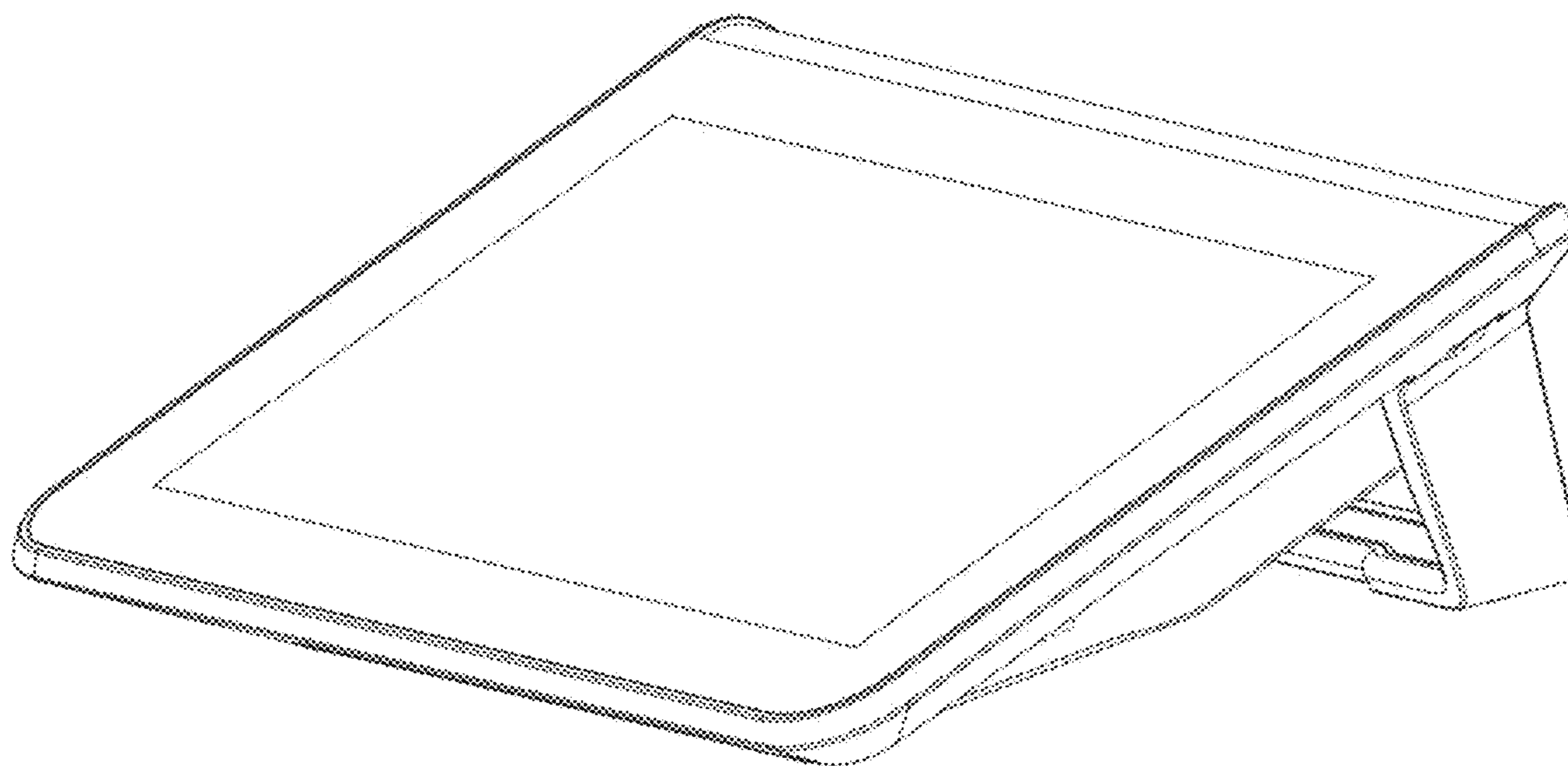
The ornamental design for a diagnostic testing apparatus other than for medical or laboratory purposes, as shown and described.

DESCRIPTION

1. Diagnostic testing apparatus other than for medical or laboratory purposes

- 1.1 : Top
- 1.2 : Bottom
- 1.3 : Back
- 1.4 : Front
- 1.5 : Perspective
- 1.6 : Left
- 1.7 : Right

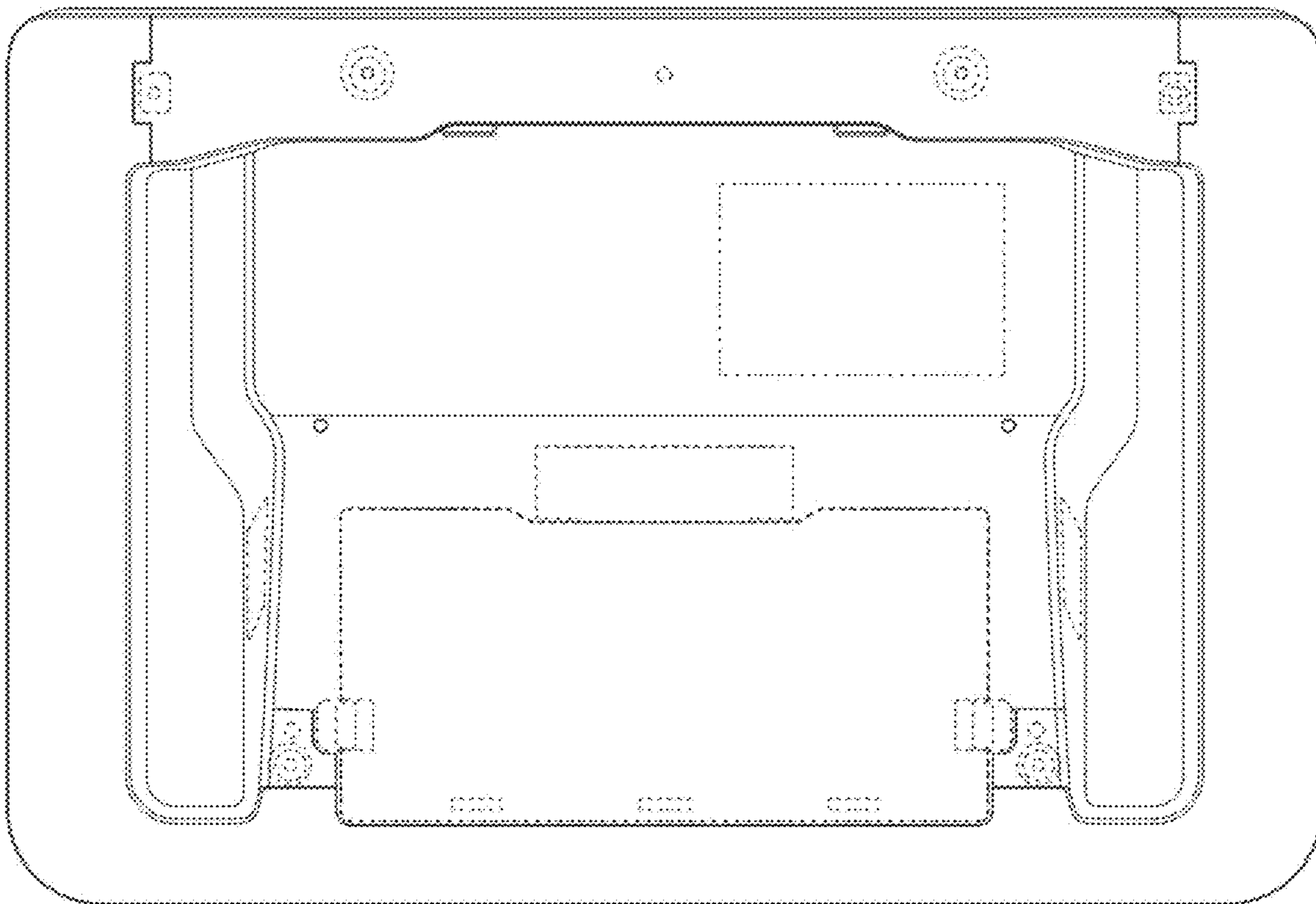
1 Claim, 7 Drawing Sheets



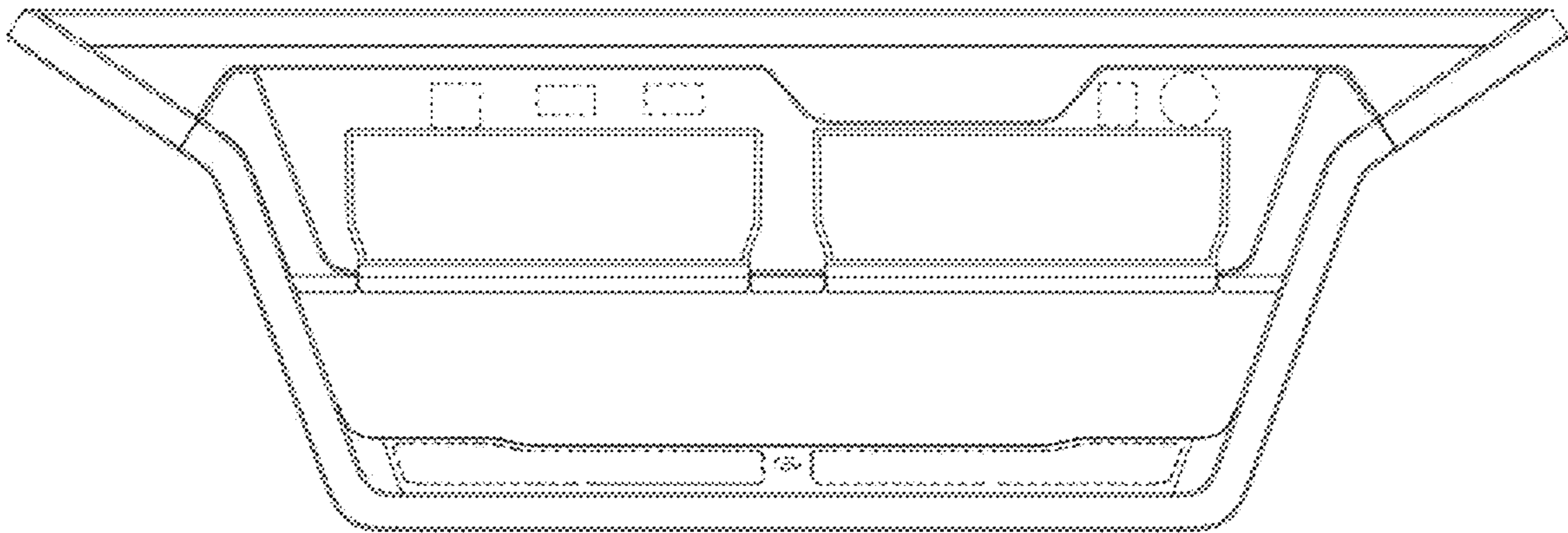
1.1



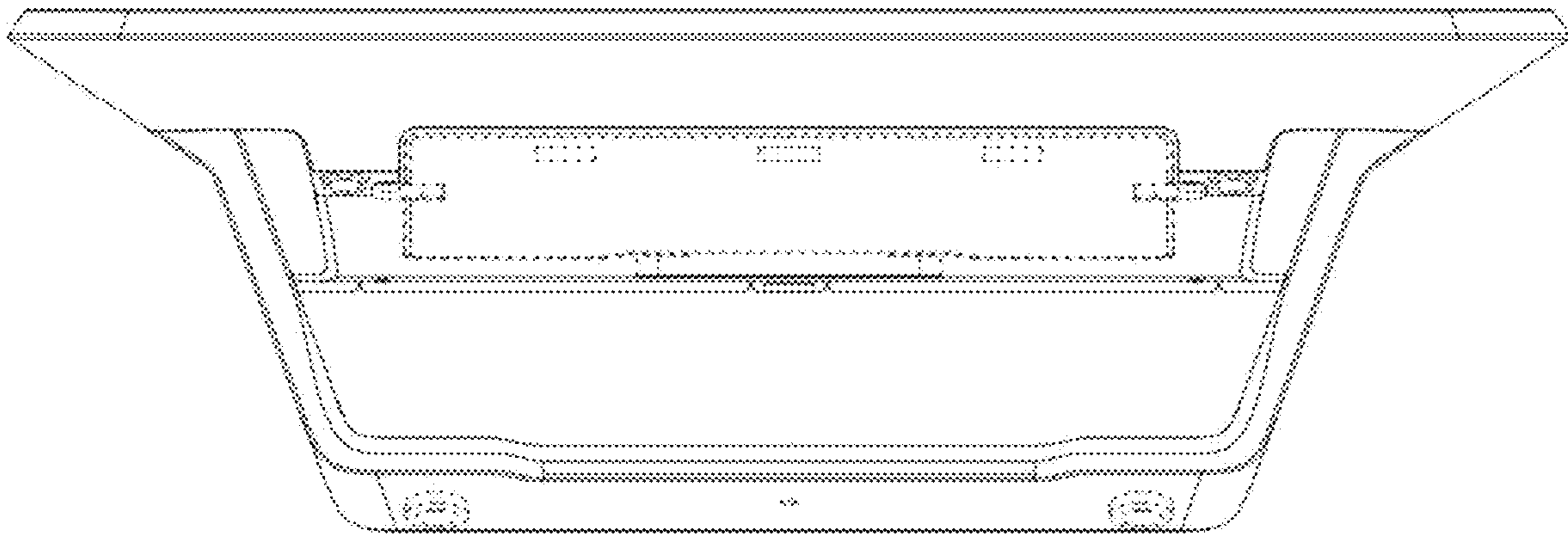
1.2



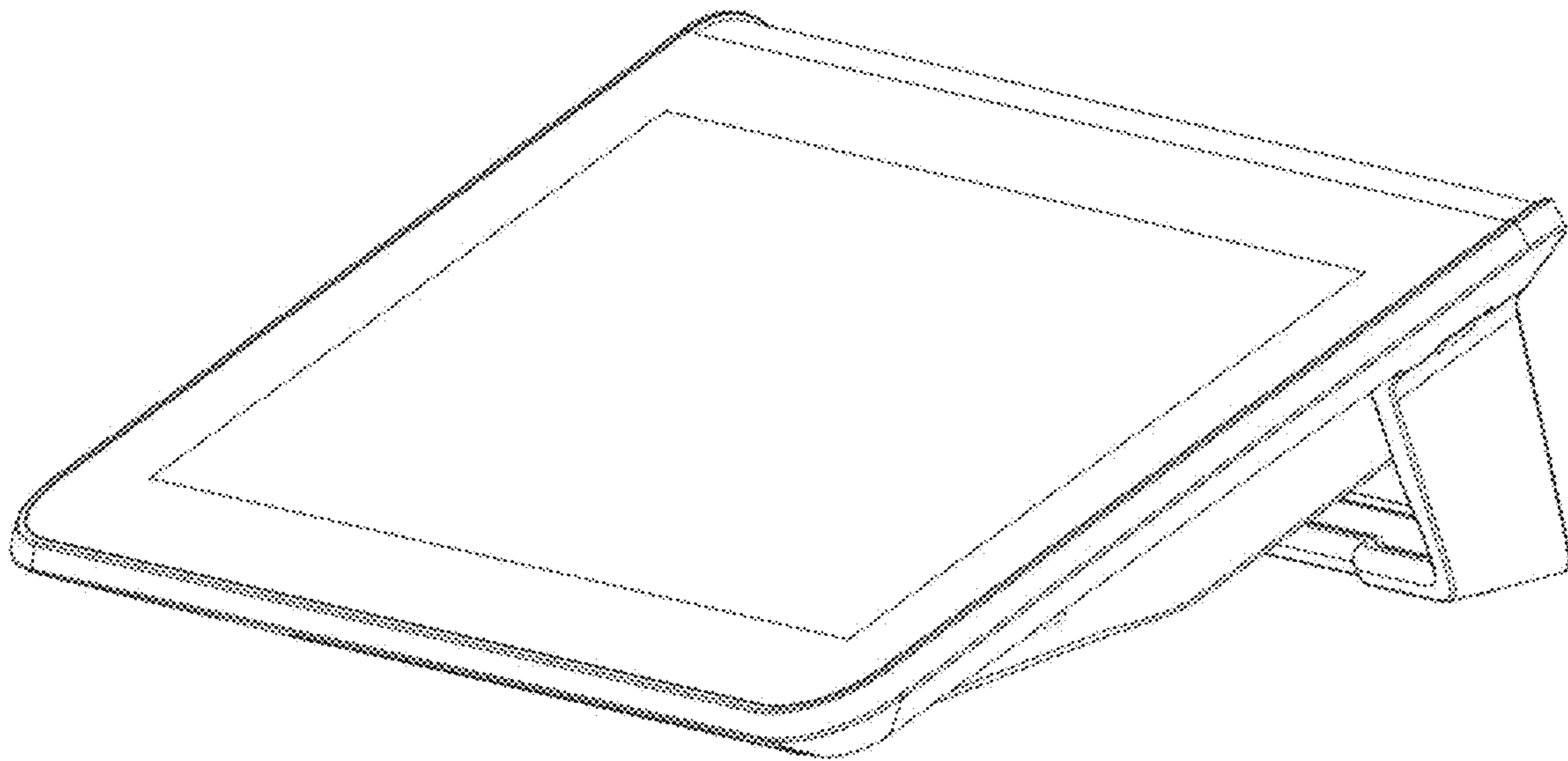
1.3



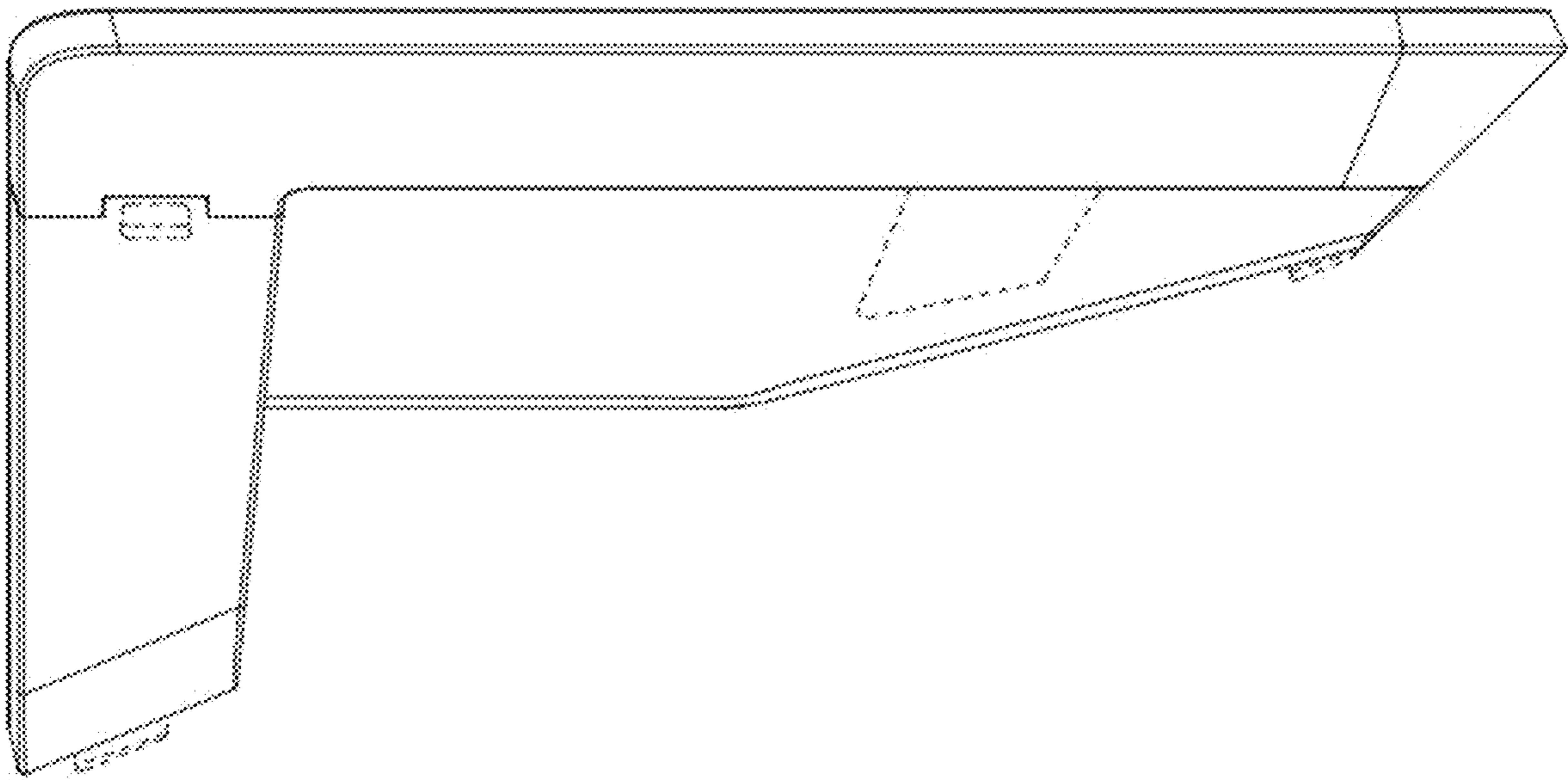
1.4



1.5



1.6



1.7

