



US00D918072S

(12) **United States Design Patent**
Umair et al.

(10) **Patent No.:** **US D918,072 S**

(45) **Date of Patent:** **** May 4, 2021**

(54) **TRACKING DEVICE**

(71) Applicant: **Tile, Inc.**, San Mateo, CA (US)

(72) Inventors: **Muhammad Umair**, Pleasanton, CA (US); **Matthew Edward Kramer**, Los Gatos, CA (US); **Christopher Sean Wheaton**, San Francisco, CA (US)

(73) Assignee: **Tile, Inc.**, San Mateo, CA (US)

(**) Term: **15 Years**

(21) Appl. No.: **29/693,066**

(22) Filed: **May 30, 2019**

(51) **LOC (13) Cl.** **10-04**

(52) **U.S. Cl.**
USPC **D10/70; D10/104.2**

(58) **Field of Classification Search**
USPC D10/70, 104.2, 106.92, 106.94
CPC G08B 13/126; G08B 13/128; G08B 13/14;
G08B 13/1427; G08B 13/1409; G08B
13/1436; G08B 13/1445; G08B 13/1463;
G08B 13/1472; G08B 13/1481; G08B
13/149; G08B 13/2428; G08B 13/2434;
G08B 13/2437; G08B 21/24; G09F 3/18;
G09F 3/185; G09F 3/20; G09F 3/201;
G09F 3/202; G09F 3/203; G09F 3/204;
G09F 3/205; G09F 3/206; G09F 3/207;
G09F 3/208; G09F 3/005; A41D 1/02;
A44C 5/0015; A44C 5/02; A44C 5/14;
G06F 1/163; G06F 3/038; G06F 3/03547;
G04G 17/00; G04G 17/08; G04G 17/04;
G04G 21/02; G04G 21/00; G04G 21/08;
G04B 37/1486; G06Q 10/00; G06Q
50/00; G09B 9/00; G09B 19/00; A61B
71/00; A61B 5/02416; A61B 5/1118;
A61B 2/721; A61B 5/002; A61B 5/112;
A61B 5/1122; A61B 5/746; A61B
5/6823; A61B 5/72; A61B 5/7445; A61B
5/0022; A61B 5/14532; A63B 24/0062;
A63B 24/0084; A63B 2024/0068; A63B

2024/0078; A63B 2024/0056; A63B
2071/0625; A63B 2071/003; A63B
2071/063; A63B 2071/065; A63B
2071/0663; A63B 2071/068; A63B
2071/0675; A63B 2220/40; A63B
2220/803; A63B 2220/12; A63B 2220/20;
A63B 2220/22; A63B 2220/30; A63B
2225/50; A63B 2225/02; A63B 2225/06;
A63B 2230/75; A63B 2024/0065; A63B
2024/0081; A63B 2220/51; A63B
2220/62; A63B 2220/836; G04F 10/00

See application file for complete search history.

(56) **References Cited**

U.S. PATENT DOCUMENTS

D723,957 S * 3/2015 Evans D10/70
9,134,768 B2 * 9/2015 Yoon G06F 1/1626
(Continued)

Primary Examiner — Antoine Duval Davis
(74) *Attorney, Agent, or Firm* — Fenwick & West LLP

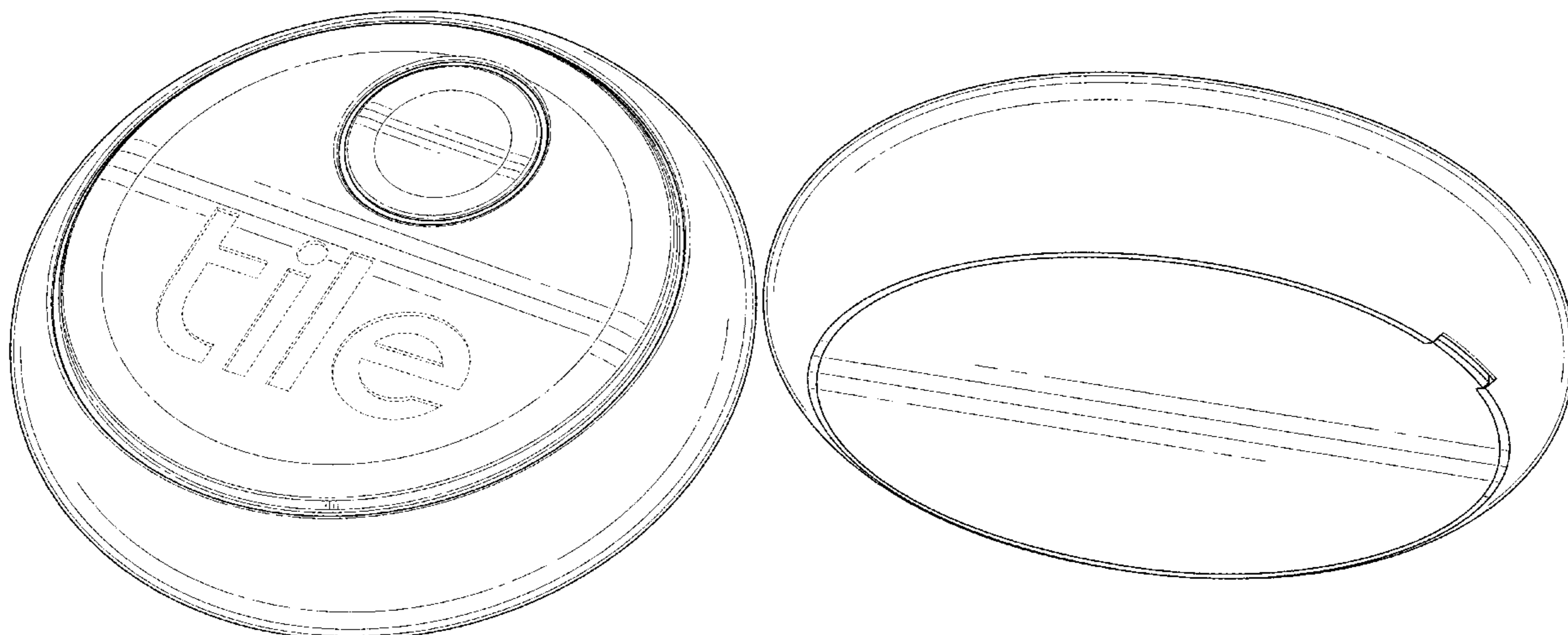
(57) **CLAIM**

The ornamental design for a tracking device, as shown and described.

DESCRIPTION

FIG. 1 is a top perspective view of a tracking device;
FIG. 2 is a bottom perspective view thereof;
FIG. 3 is a top plan view thereof;
FIG. 4 is a bottom plan view thereof;
FIG. 5 is a left side elevational view thereof;
FIG. 6 is a right side elevational view thereof;
FIG. 7 is a front elevational view thereof; and,
FIG. 8 is a rear elevational view thereof.
The broken lines in the drawings showing portions of the tracking device are included for the purpose of illustrating environmental structure and form no part of the claimed design.

1 Claim, 8 Drawing Sheets



(56)

References Cited

U.S. PATENT DOCUMENTS

9,183,719 B2 * 11/2015 Gouge A61B 5/01
D790,372 S 6/2017 Daoura et al.
D790,373 S 6/2017 Daoura et al.
D818,385 S 5/2018 Barovic
D856,174 S * 8/2019 Behar D10/70
D859,187 S * 9/2019 Behar D10/70
D866,370 S * 11/2019 Wheaton A61B 5/01
D10/70
D866,371 S * 11/2019 Wheaton G06F 1/1626
D10/70

* cited by examiner

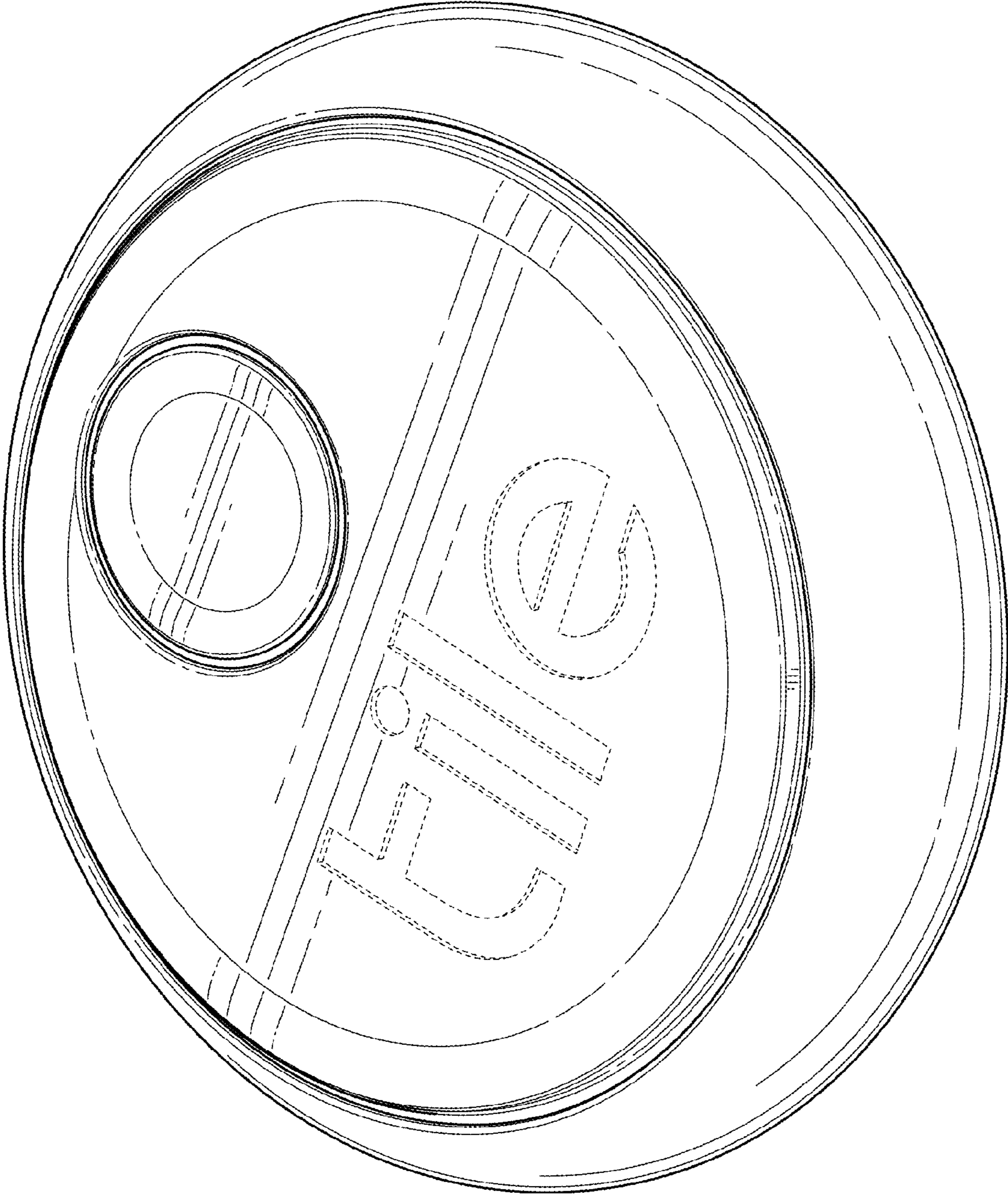


FIG. 1

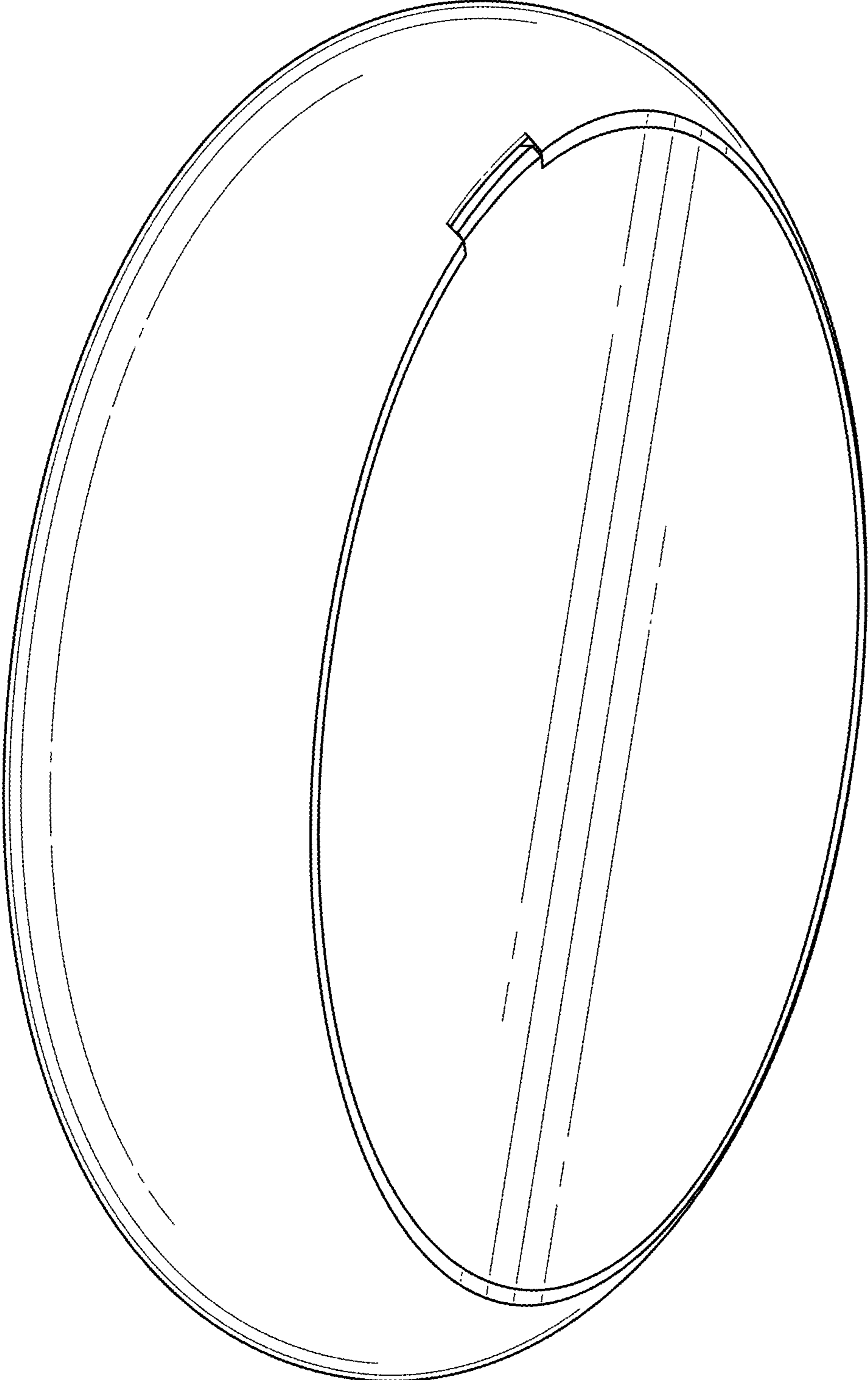


FIG. 2

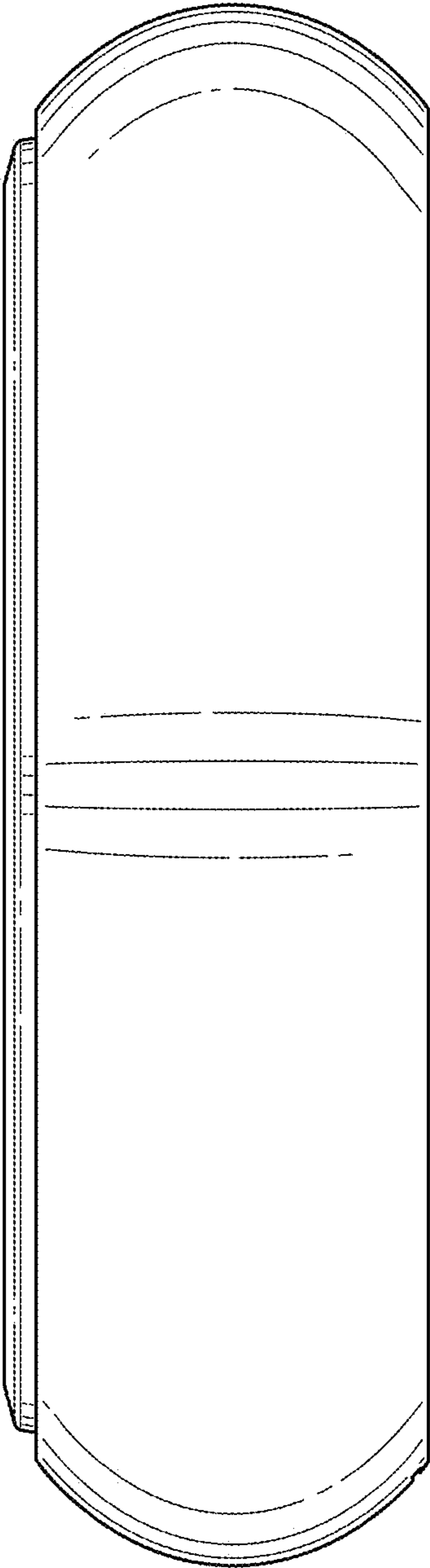


FIG. 3

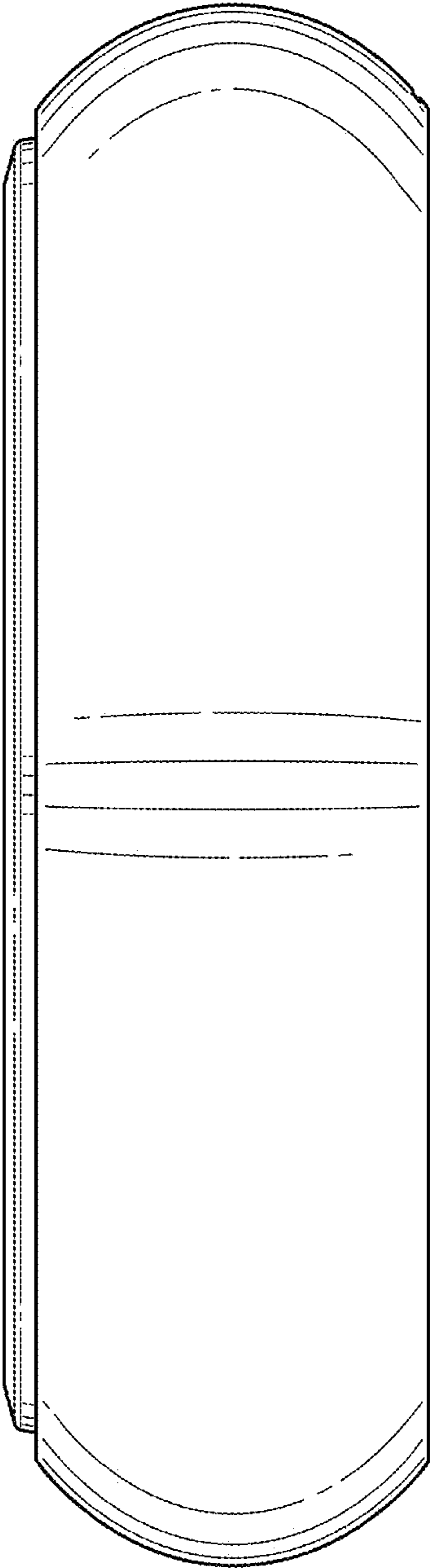


FIG. 4

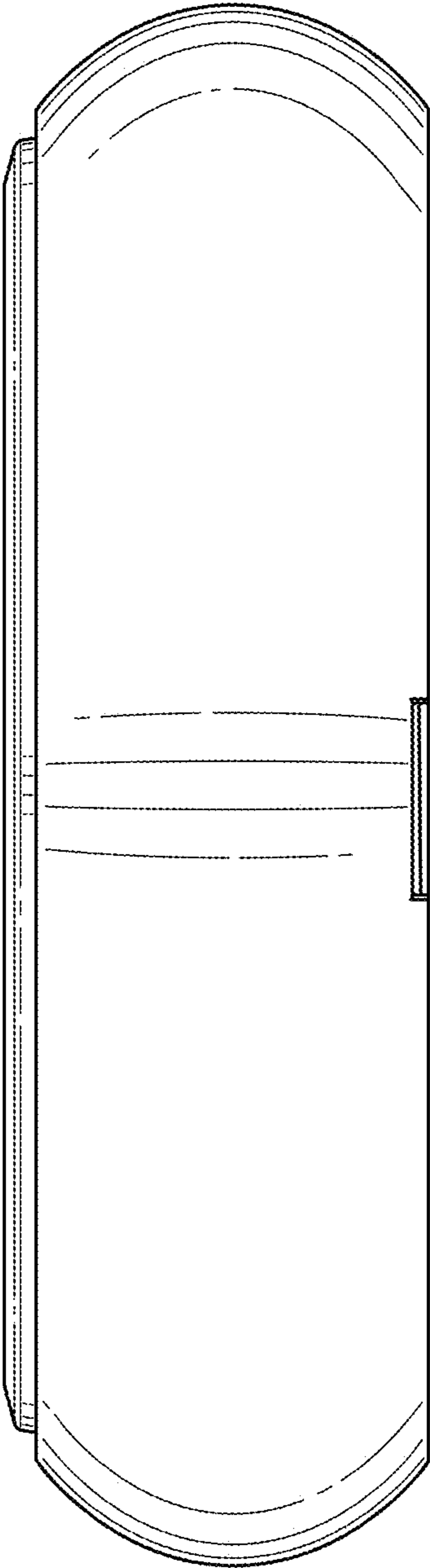


FIG. 5

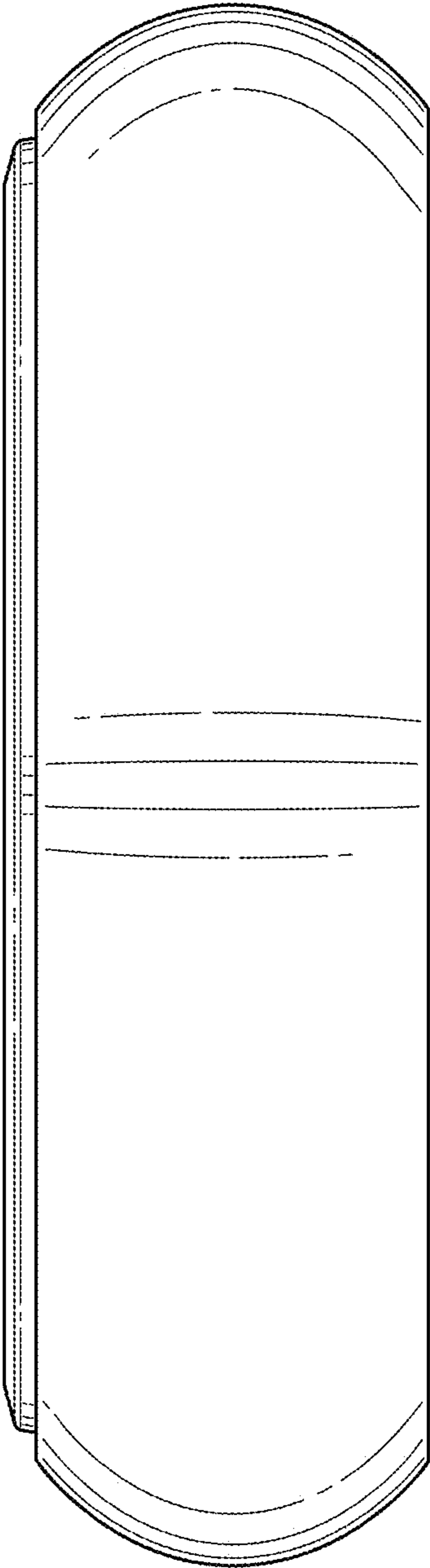


FIG. 6

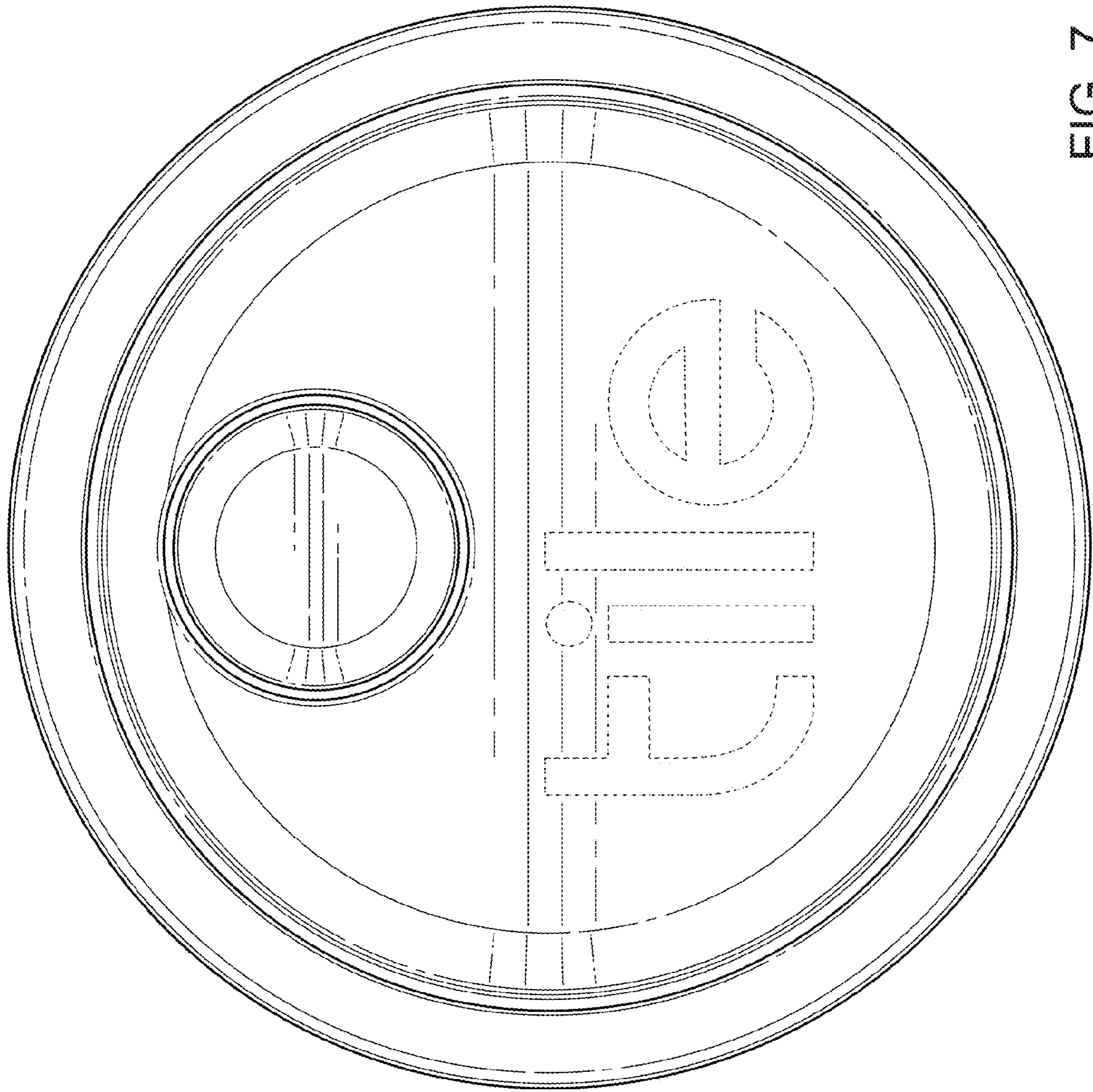


FIG. 7

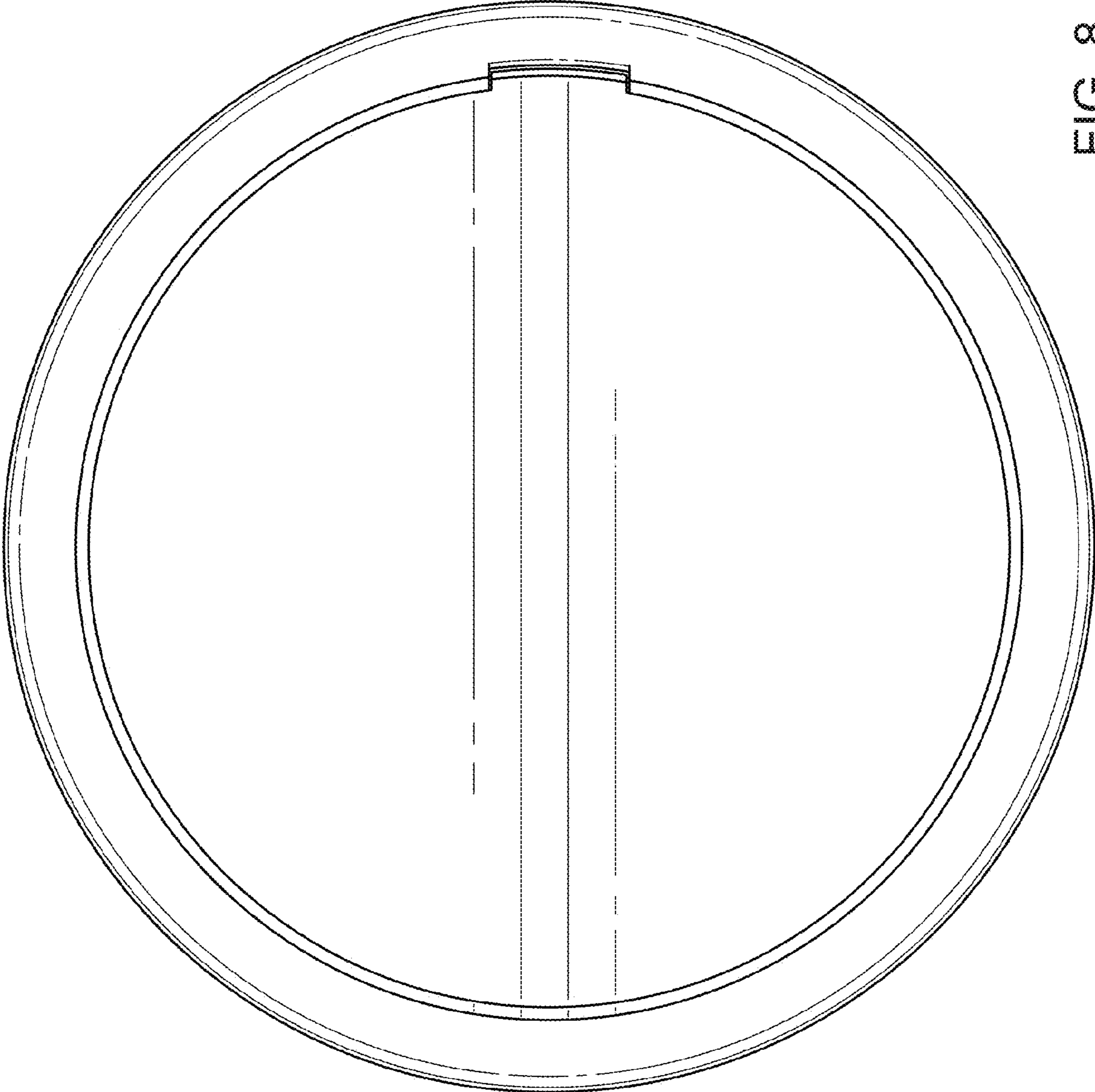


FIG. 8