



US00D918069S

(12) **United States Design Patent** (10) **Patent No.:** **US D918,069 S**  
**Wyatt et al.** (45) **Date of Patent:** **\*\* May 4, 2021**

(54) **LEVEL**

FOREIGN PATENT DOCUMENTS

(71) Applicant: **Milwaukee Electric Tool Corporation,**  
Brookfield, WI (US)

CN 3383117 8/2004  
CN 3473415 9/2005

(Continued)

(72) Inventors: **Michael Wyatt,** Waukesha, WI (US);  
**Joseph William Burge,** Milwaukee, WI (US);  
**Bryant Deakins,** Kansasville, WI (US)

OTHER PUBLICATIONS

International Search Report and Written Opinion for International Application No. PCT/US2017/037061 dated Sep. 11, 2017, 16 pages.

(Continued)

(73) Assignee: **Milwaukee Electric Tool Corporation,**  
Brookfield, WI (US)

(\*\*) Term: **15 Years**

*Primary Examiner* — Leanne Was-Englehart

(21) Appl. No.: **29/670,913**

(74) *Attorney, Agent, or Firm* — Reinhart Boerner Van Deuren s.c.

(22) Filed: **Nov. 20, 2018**

**Related U.S. Application Data**

(57) **CLAIM**

(63) Continuation of application No. 29/593,131, filed on Feb. 6, 2017, now Pat. No. Des. 836,471.

We claim the ornamental design for a level, as shown and described.

(51) **LOC (13) Cl.** ..... **10-04**

(52) **U.S. Cl.**  
USPC ..... **D10/69**

(58) **Field of Classification Search**  
USPC ..... D10/69  
CPC ... G01C 9/24; G01C 9/26; G01C 9/28; G01C 9/30; G01C 9/32; G01C 9/34; G01C 9/36; H02G 1/00; H02G 2200/30  
See application file for complete search history.

**DESCRIPTION**

FIG. 1 is a front perspective view from above of a level showing the new design;  
FIG. 2 is a right side view of the claimed design of FIG. 1;  
FIG. 3 is a left side view of the claimed design of FIG. 1;  
FIG. 4 is a top view of the claimed design of FIG. 1;  
FIG. 5 is a bottom view of the claimed design of FIG. 1;  
FIG. 6 is a front view of the claimed design of FIG. 1; and  
FIG. 7 is a rear view of the claimed design of FIG. 1.  
The ornamental design which is claimed is shown in solid lines in the drawings. The dash-dash broken lines in the drawings depict portions of the level that form no part of the claimed design.  
The dot-dash broken lines depict the bounds of the claim and form no part of the claimed design.

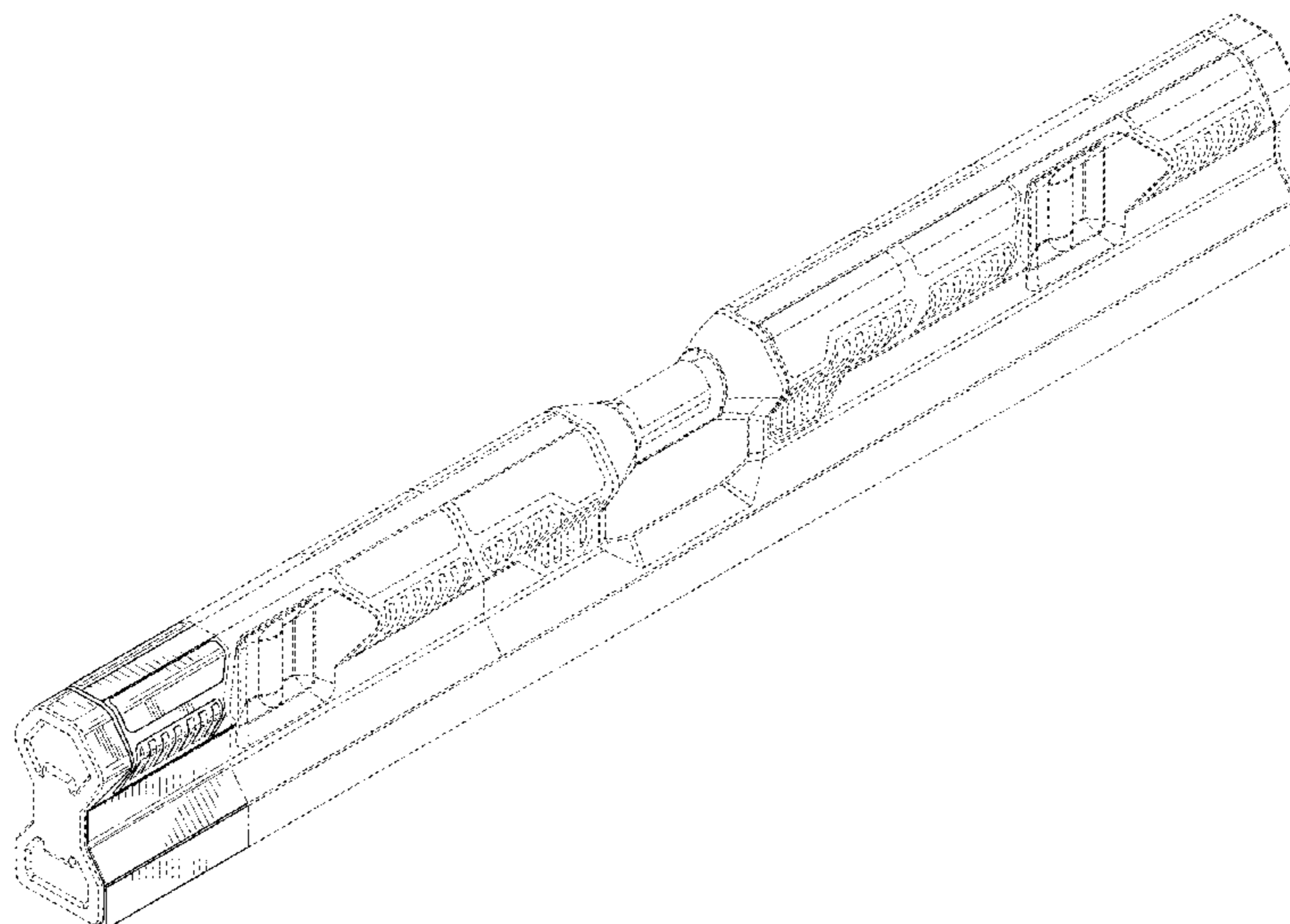
(56) **References Cited**

U.S. PATENT DOCUMENTS

3,835,549 A 9/1974 De Jong  
3,889,353 A 6/1975 Provi  
3,921,306 A 11/1975 Provi  
4,407,075 A 10/1983 MacDermott et al.  
5,279,041 A 1/1994 Wright  
5,406,714 A 4/1995 Baker et al.  
6,098,298 A 8/2000 Burge

(Continued)

**1 Claim, 4 Drawing Sheets**



(56)

References Cited

U.S. PATENT DOCUMENTS

6,675,490 B1 1/2004 Krehel et al.  
 6,792,686 B2 9/2004 Krehel et al.  
 D514,961 S \* 2/2006 Kim ..... D10/69  
 D526,224 S 8/2006 Kim  
 7,150,107 B2 12/2006 Kim  
 D563,808 S \* 3/2008 Schwartz ..... D10/69  
 7,472,486 B2 \* 1/2009 Tran ..... G01C 9/28  
 33/379  
 7,536,797 B2 5/2009 Steffens et al.  
 D623,544 S \* 9/2010 Kim ..... D10/69  
 7,900,366 B2 3/2011 Spaulding  
 D643,320 S \* 8/2011 Lewis ..... D10/69  
 D644,944 S \* 9/2011 Kallabis ..... D10/69  
 D646,595 S \* 10/2011 Allemand ..... D10/69  
 D686,926 S \* 7/2013 Moe ..... D10/62  
 8,631,584 B2 \* 1/2014 Steele ..... G01C 9/28  
 33/528  
 8,661,698 B2 3/2014 Kallabis  
 8,914,987 B2 12/2014 Sanchez et al.  
 D730,207 S \* 5/2015 Ben Josef ..... D10/69  
 D743,281 S \* 11/2015 Wojciechowski ..... D10/69  
 D743,818 S \* 11/2015 Wojciechowski ..... D10/69  
 D750,511 S 3/2016 Wojciechowski et al.  
 D751,428 S \* 3/2016 Johnson ..... D10/69  
 D751,429 S \* 3/2016 Johnson ..... D10/69  
 D751,430 S \* 3/2016 Johnson ..... D10/69  
 D762,129 S \* 7/2016 Cobb ..... D10/69  
 D777,589 S \* 1/2017 Wojciechowski ..... D10/69  
 D796,973 S \* 9/2017 Wojciechowski ..... D10/69  
 D800,585 S \* 10/2017 Wojciechowski ..... D10/69  
 D810,597 S 2/2018 Burge  
 D836,471 S \* 12/2018 Wyatt ..... D10/69  
 D856,173 S \* 8/2019 Wojciechowski ..... D10/69  
 D860,833 S \* 9/2019 Medina ..... D10/69  
 D866,365 S \* 11/2019 Graykowski ..... D10/69

2005/0229415 A1\* 10/2005 Kim ..... G01C 9/28  
 33/451  
 2005/0229416 A1\* 10/2005 Kim ..... G01C 9/28  
 33/451  
 2006/0248738 A1 11/2006 Tran et al.  
 2011/0265340 A1 11/2011 Kallabis  
 2013/0192075 A1 8/2013 Sanches  
 2015/0300819 A1 10/2015 Pelletier et al.  
 2017/0131098 A1\* 5/2017 Yu ..... G01C 9/34  
 2017/0167869 A1 6/2017 Burge  
 2017/0328711 A1 11/2017 Burge  
 2017/0370716 A1 12/2017 Burge

FOREIGN PATENT DOCUMENTS

CN	301451232	1/2011
CN	303285776 S	7/2015
CN	303317643	8/2015
CN	303876492	10/2016
CN	303886098	10/2016
CN	303886119	10/2016
CN	303946967	11/2016
CN	303946968	11/2016
RU	00095253	9/2015
TW	D112217	8/2006
TW	D141126	6/2011
TW	D148987	9/2012
WO	WO2005103615	11/2005

OTHER PUBLICATIONS

<https://www.youtube.com/watch?v=8UBgA3jpodg> Posted Jun. 9, 2017 (Year: 2017).  
<https://www.milwaukeeetool.com/hand-tools/layout/mlcon24> Retrieved Dec. 22, 2017 (Year: 2017).

\* cited by examiner

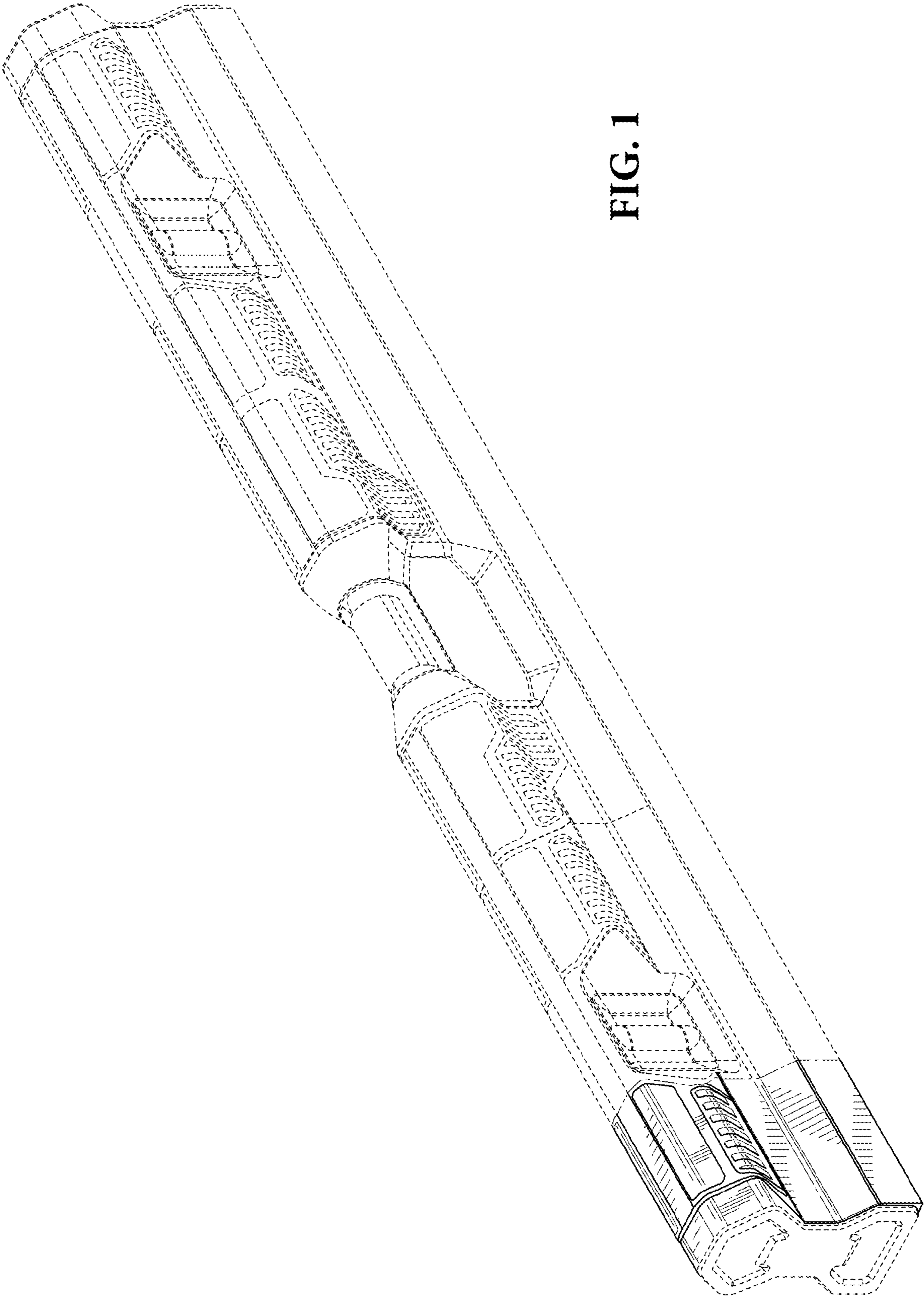


FIG. 1

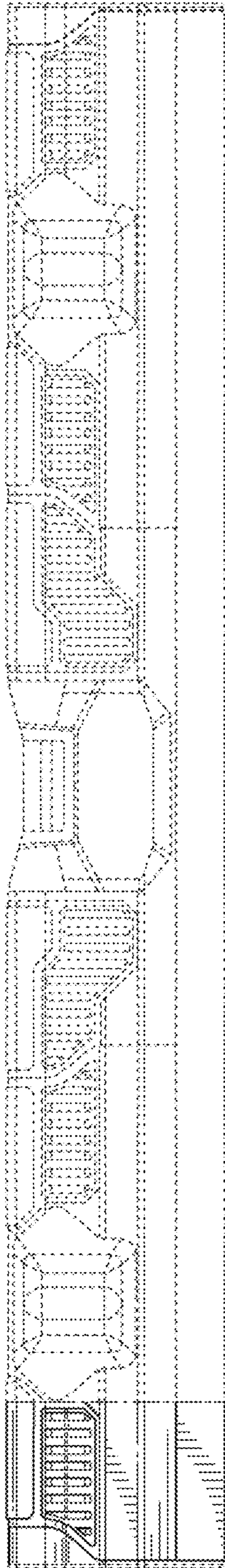


FIG. 2

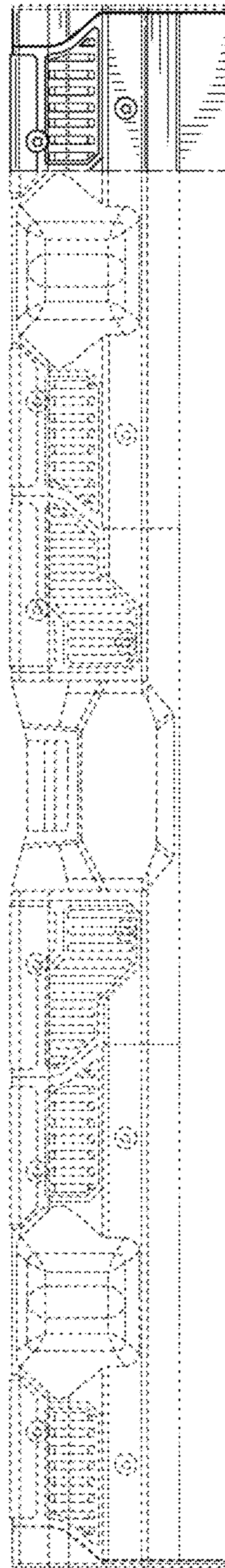


FIG. 3

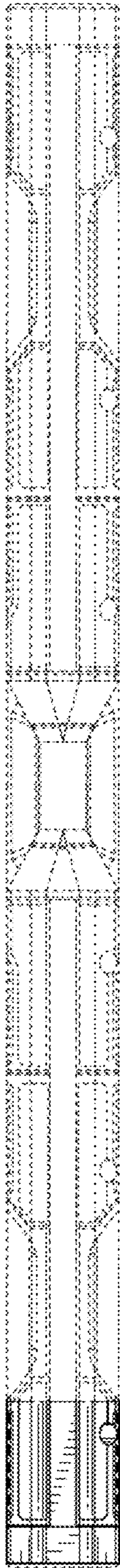


FIG. 4

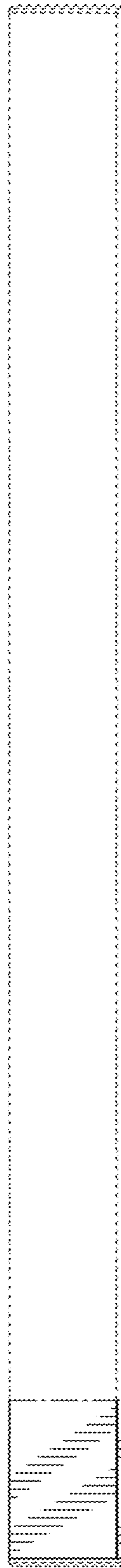
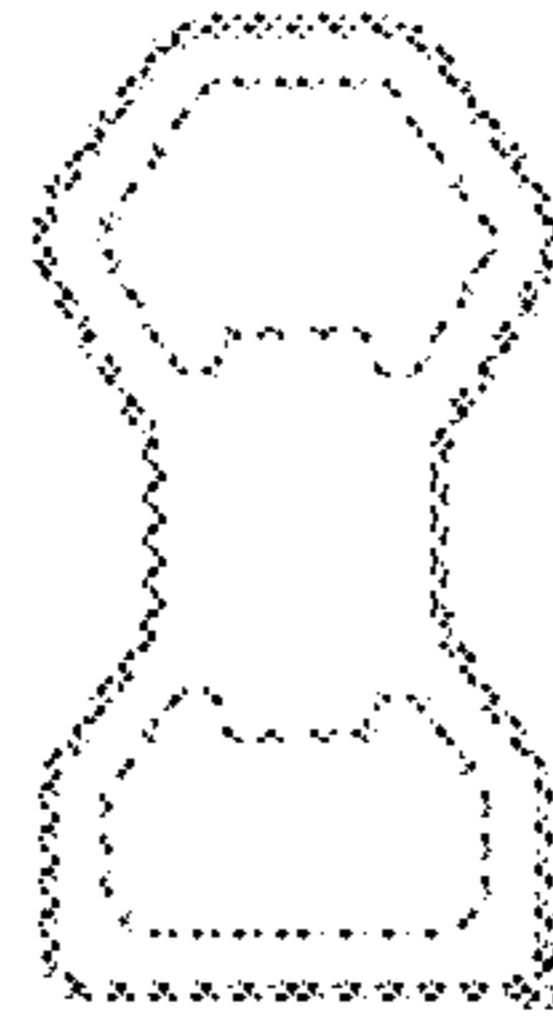
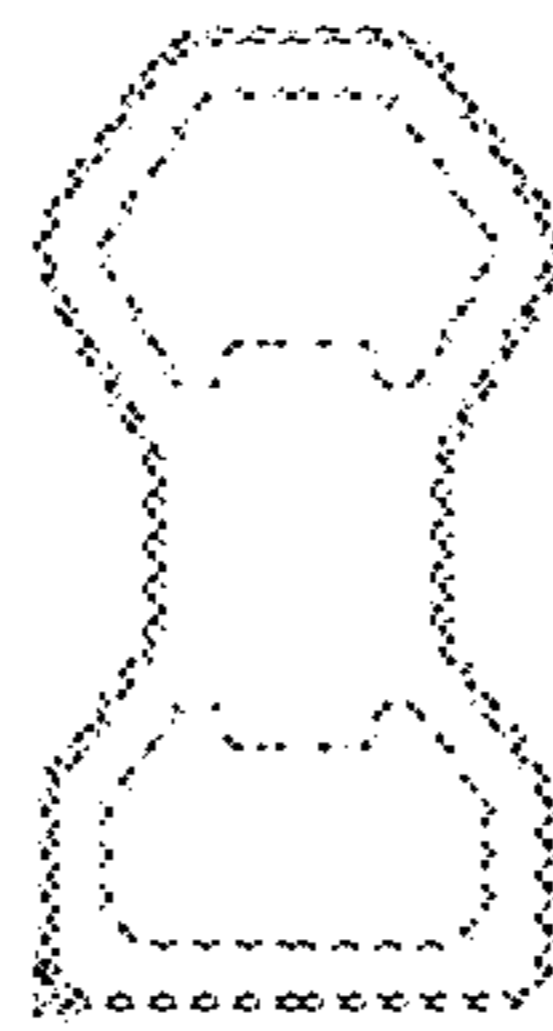


FIG. 5



**FIG. 6**



**FIG. 7**