



US00D918068S

(12) **United States Design Patent**  
**Fu**

(10) **Patent No.:** **US D918,068 S**  
(45) **Date of Patent:** **\*\* May 4, 2021**

- (54) **CONTOUR GAUGE**
- (71) Applicant: **JINHUA HAIHUA DAILY NECESSITIES FACTORY**, Jinhua (CN)
- (72) Inventor: **Hongxing Fu**, Jinhua (CN)
- (73) Assignee: **JINHUA HAIHUA DAILY NECESSITIES FACTORY**, Jinhua (CN)

D671,018	S	11/2012	Maste	
9,308,671	B2 *	4/2016	Baro Cabrero	..... B28D 1/225
9,404,726	B2 *	8/2016	Shu	..... G01B 5/207
9,808,962	B2 *	11/2017	Moog	..... B28D 1/225
10,525,612	B2 *	1/2020	Soler Balcells	..... B43L 7/027
D884,501	S *	5/2020	Lei	..... G01B 5/20 D10/65
D885,212	S *	5/2020	Fu	..... D10/65
D896,671	S *	9/2020	Li	..... D10/65
D902,753	S *	11/2020	Zhang	..... D10/65
D903,514	S *	12/2020	Fu	..... D10/65
D904,210	S *	12/2020	Chen	..... D10/65
2012/0266472	A1 *	10/2012	Liza	..... E04F 21/0076 33/527

(\*\*) Term: **15 Years**

\* cited by examiner

(21) Appl. No.: **29/755,843**

*Primary Examiner* — Antoine Duval Davis

(22) Filed: **Oct. 23, 2020**

(51) **LOC (13) Cl.** ..... **10-04**

(52) **U.S. Cl.**  
USPC ..... **D10/65**

(58) **Field of Classification Search**  
USPC ..... D8/99, 100, 105; D10/65  
CPC ..... B28D 1/22; B28D 1/223; B28D 1/225;  
B28D 1/228; E04F 21/0076; E04F 21/18;  
E04F 21/20; Y10S 33/20; G01B 5/20;  
G01B 5/207; B25H 7/04  
See application file for complete search history.

(57) **CLAIM**

The ornamental design for a contour gauge, as shown and described.

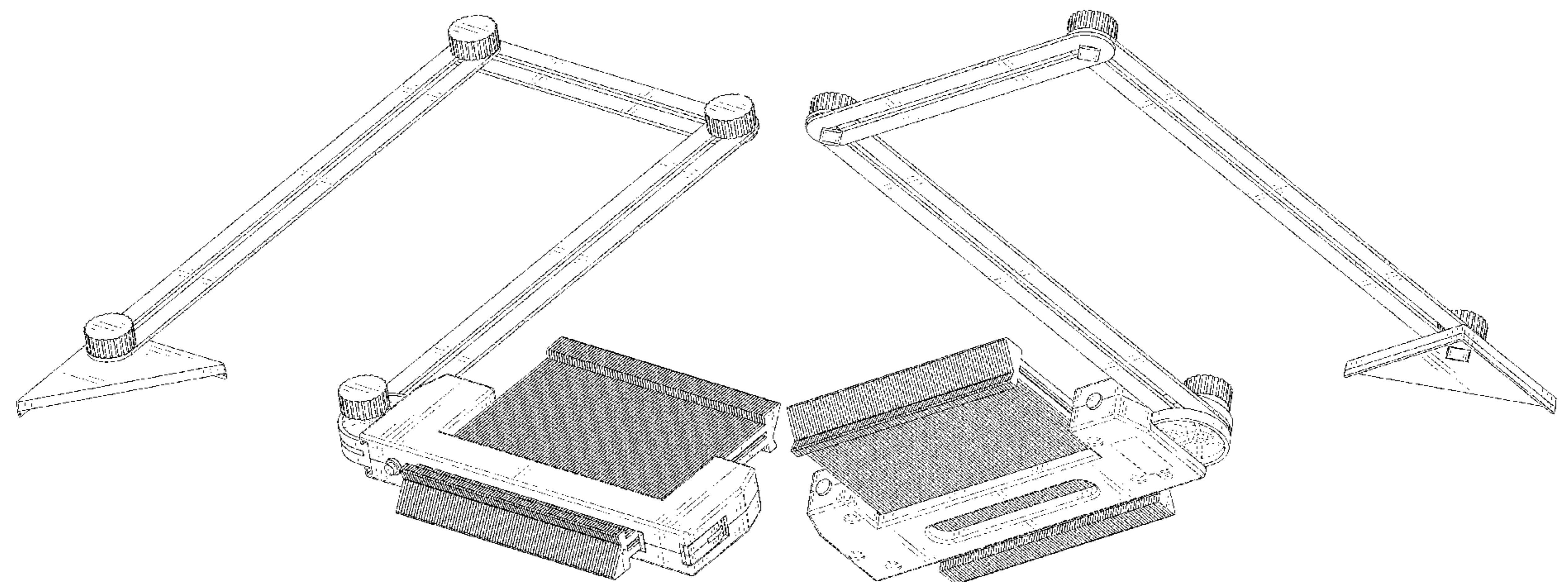
**DESCRIPTION**

FIG. 1 is a perspective view of a contour gauge showing my new design;  
FIG. 2 is another perspective view thereof;  
FIG. 3 is a front elevational view thereof;  
FIG. 4 is a rear elevational view thereof;  
FIG. 5 is a left side elevational view thereof;  
FIG. 6 is a right side elevational view thereof;  
FIG. 7 is a top plan view thereof; and,  
FIG. 8 is a bottom plan view thereof.

The broken lines in the drawings depict portions of the contour gauge that form no part of the claimed design.

**1 Claim, 8 Drawing Sheets**

- (56) **References Cited**
- U.S. PATENT DOCUMENTS
- |           |     |        |           |                             |
|-----------|-----|--------|-----------|-----------------------------|
| 1,261,438 | A * | 4/1918 | Reinhardt | ..... G01B 5/20<br>33/561.1 |
| 2,949,674 | A * | 8/1960 | Wexler    | ..... G01B 5/20<br>33/561.1 |



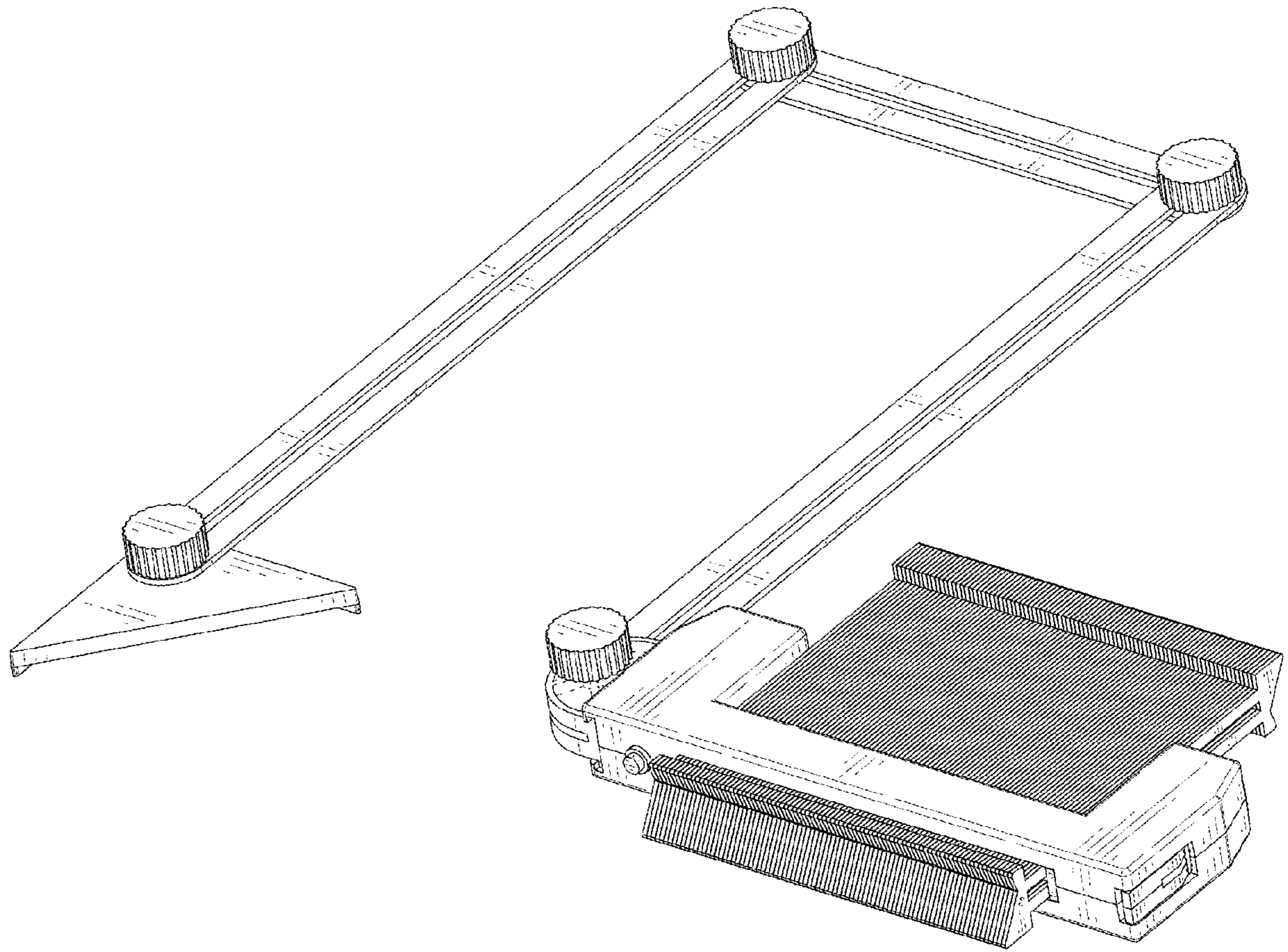


FIG. 1

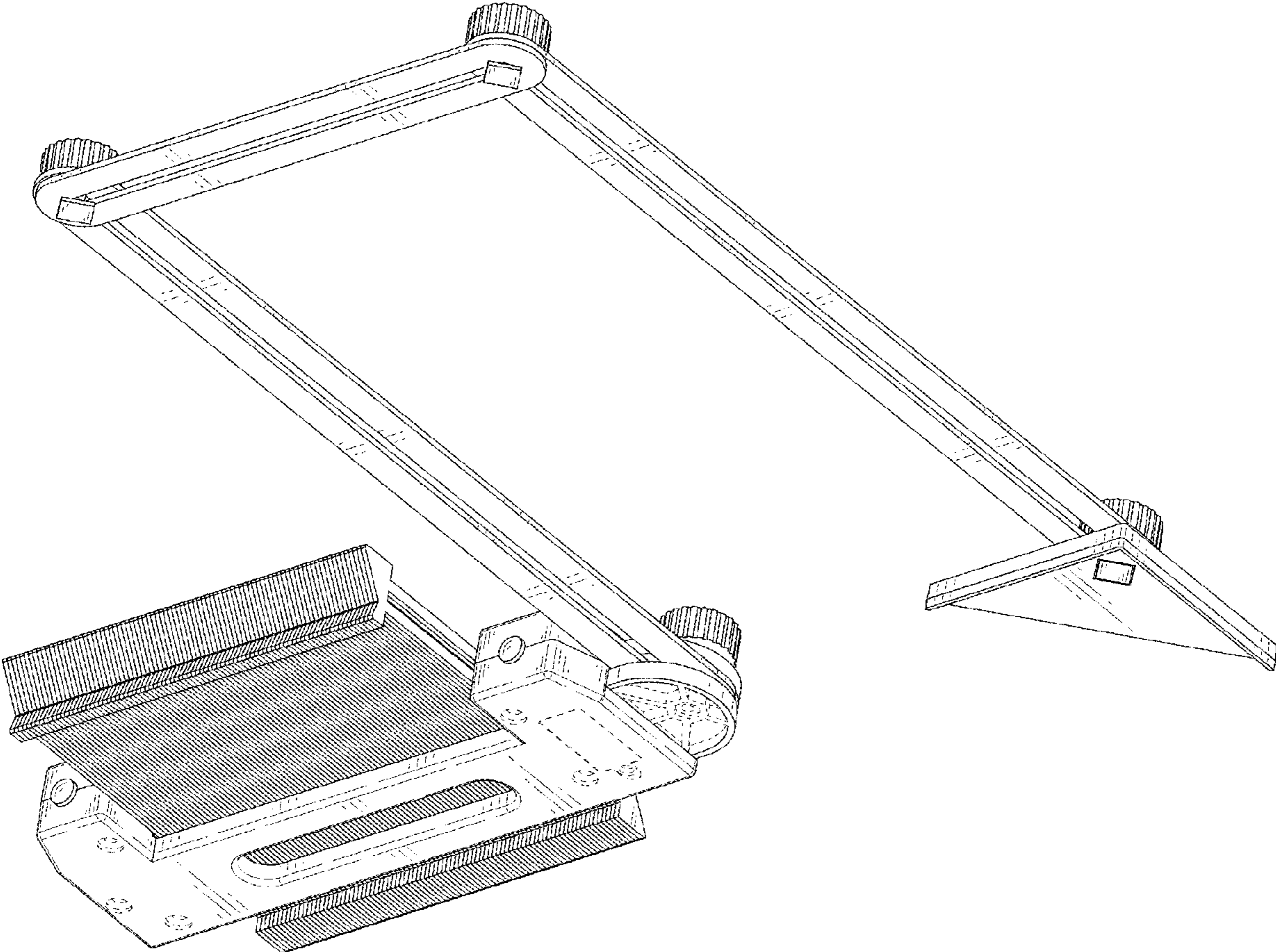


FIG. 2

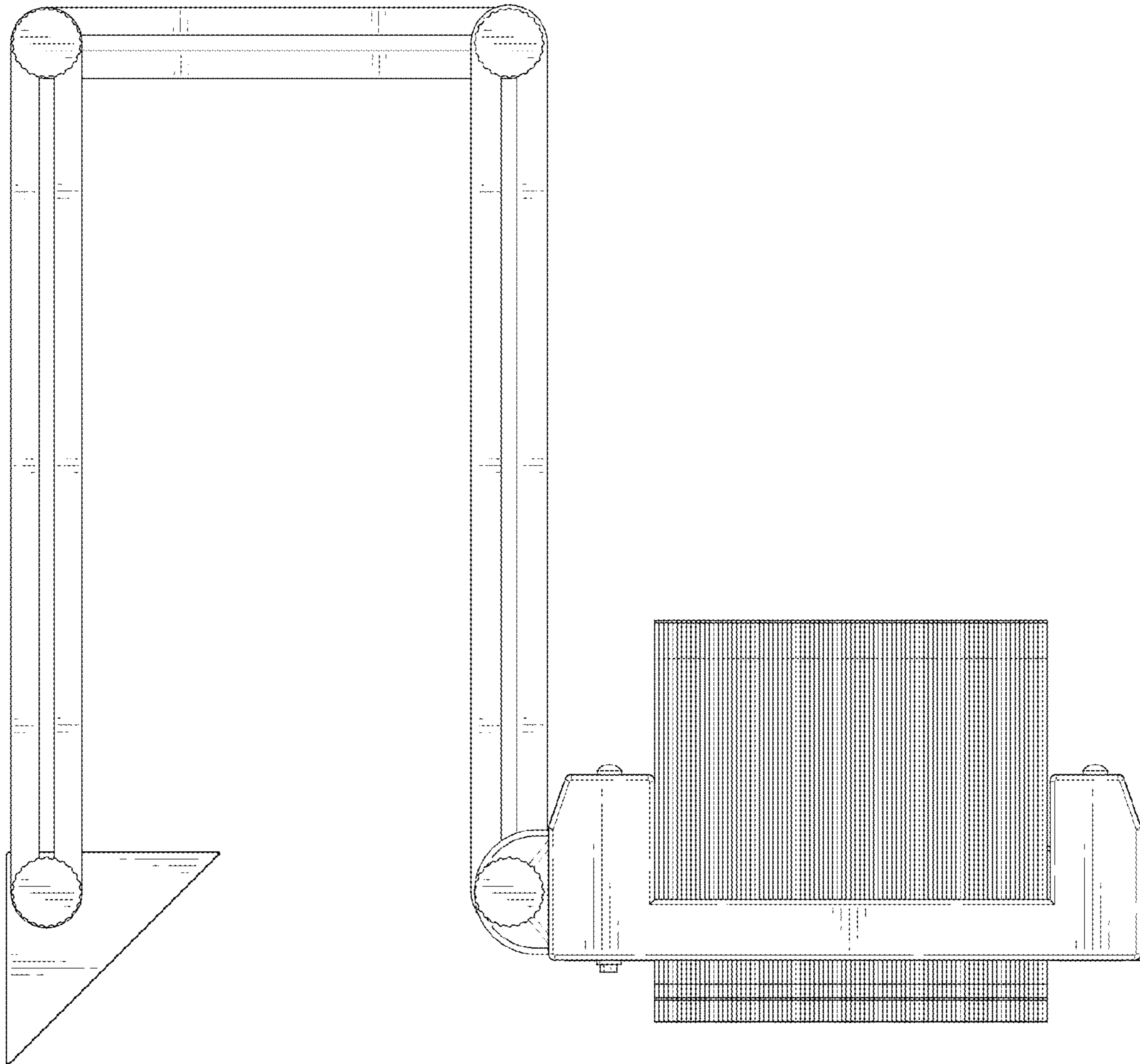


FIG. 3

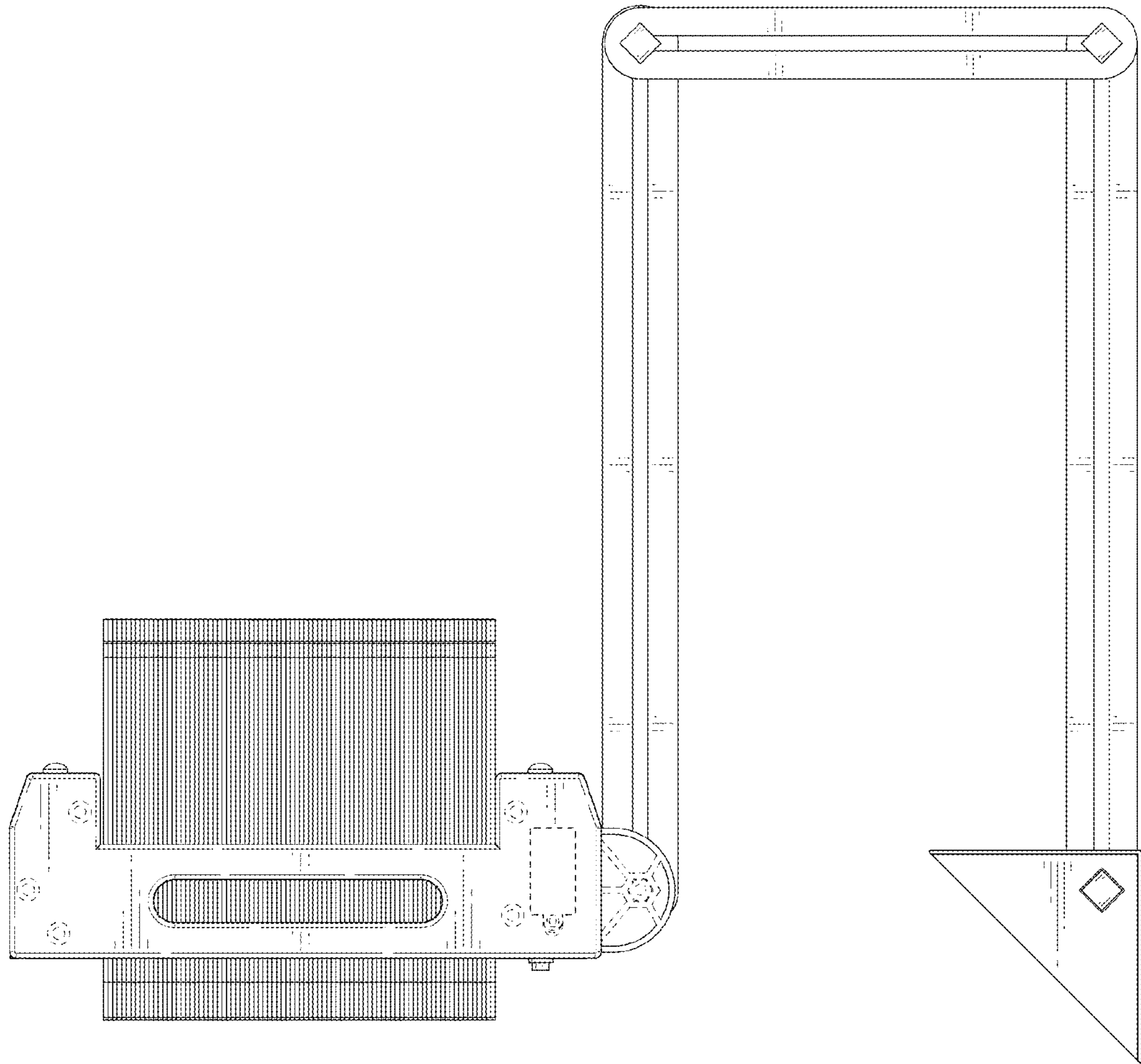


FIG. 4

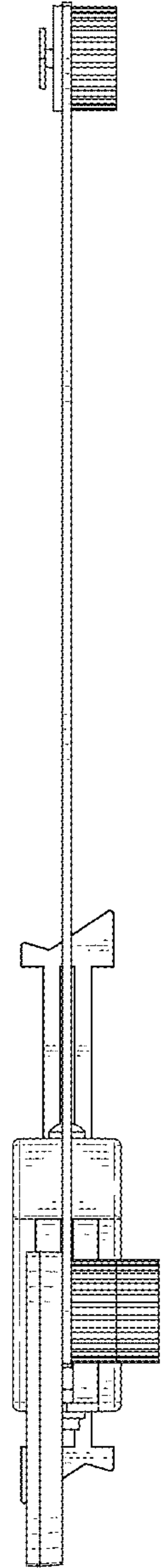


FIG. 5

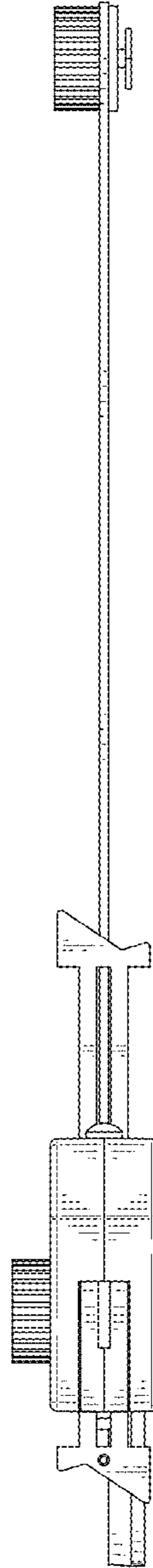


FIG. 6

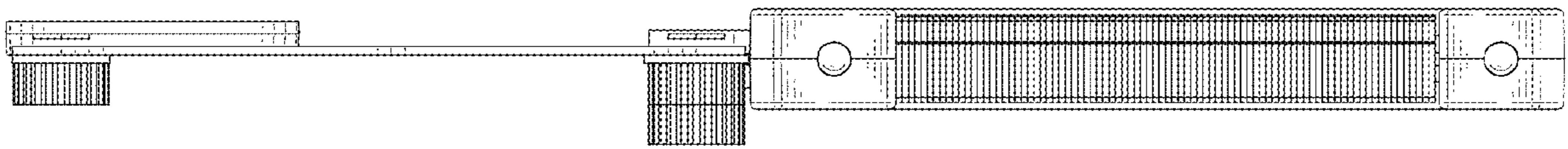


FIG. 7



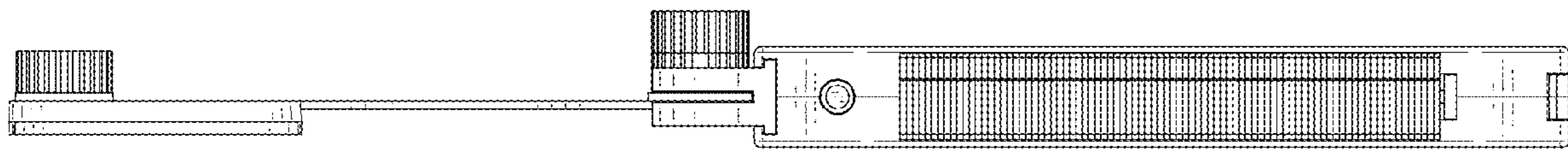


FIG. 8