



US00D918067S

(12) **United States Design Patent** (10) **Patent No.:** **US D918,067 S**  
**Li et al.** (45) **Date of Patent:** **\*\* May 4, 2021**

(54) **PORTABLE INFRARED OBSERVATORY**

(71) Applicant: **Wuhan Guide Sensmart Technology Co., Ltd.**, Wuhan (CN)

(72) Inventors: **Kangxin Li**, Wuhan (CN); **Sheng Huang**, Wuhan (CN); **Peng Wang**, Wuhan (CN)

(73) Assignee: **WUHAN GUIDE SENSMART TECHNOLOGY CO., LTD**, Wuhan (CN)

(\*\*) Term: **15 Years**

(21) Appl. No.: **29/682,221**

(22) Filed: **Mar. 4, 2019**

(30) **Foreign Application Priority Data**

Sep. 4, 2018 (CN) ..... 201830495402.2

(51) **LOC (13) Cl.** ..... **10-04**

(52) **U.S. Cl.**  
USPC ..... **D10/60; D16/208**

(58) **Field of Classification Search**  
USPC ..... D10/46, 52, 60; D16/200, 208, 219  
CPC ..... G03B 17/02; G03B 17/04; G03B 17/56;  
G03B 19/04; H04N 5/2251; H04N 5/2252; H04N 5/2253; H04N 5/2254;  
H04N 2101/00; H04N 5/33; H04N 5/332  
See application file for complete search history.

(56) **References Cited**

U.S. PATENT DOCUMENTS

D870,796 S \* 12/2019 Lin ..... D16/219

\* cited by examiner

*Primary Examiner* — Antoine Duval Davis

(74) *Attorney, Agent, or Firm* — Taft Stettinius & Hollister LLP; Ryan O. White; Derek B. Lavender

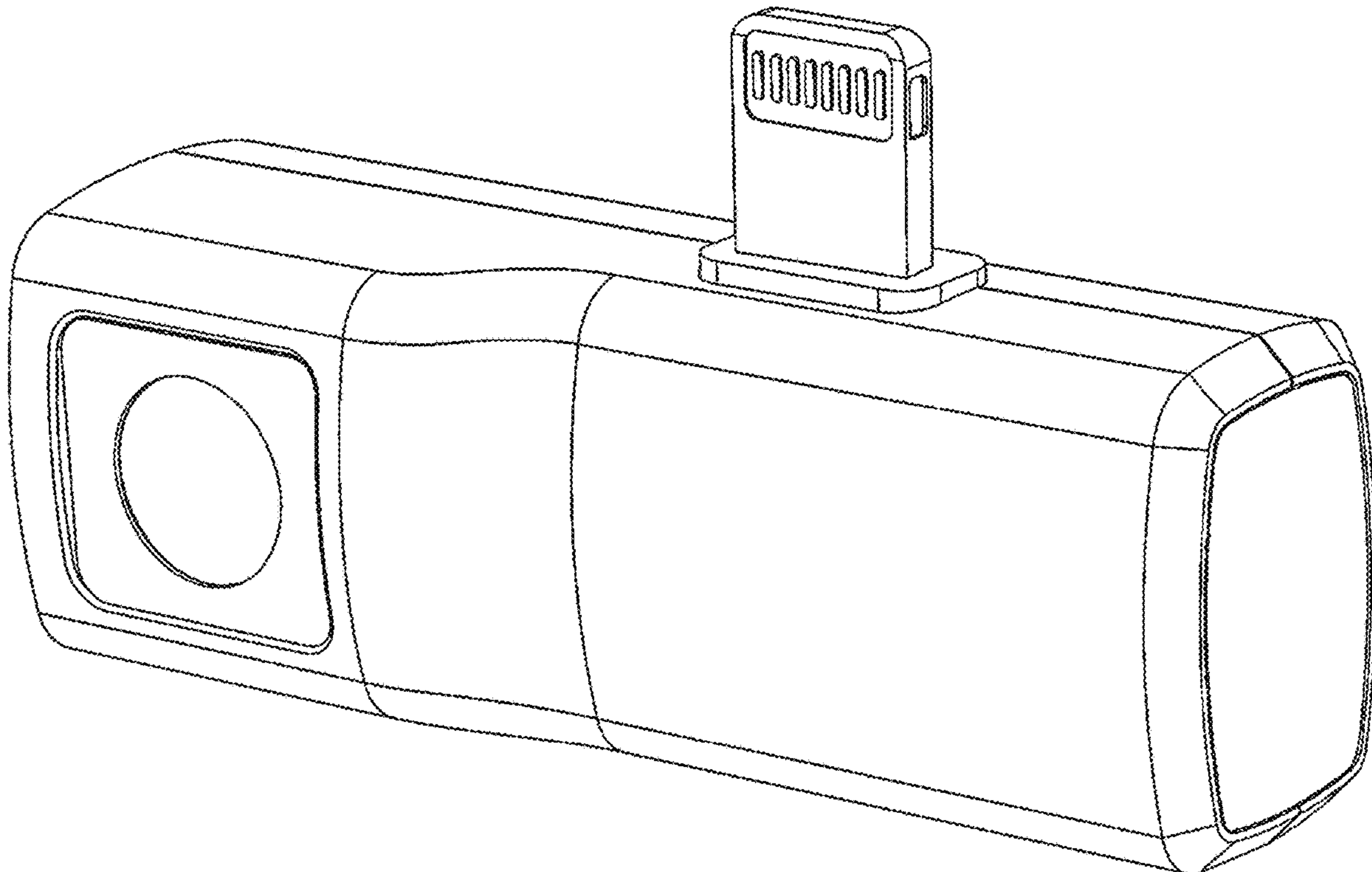
(57) **CLAIM**

The ornamental design for a portable infrared observatory, as shown and described.

**DESCRIPTION**

FIG. 1 is a front perspective view of a first embodiment of a portable infrared observatory;  
FIG. 2 is front view thereof;  
FIG. 3 is a back view thereof;  
FIG. 4 is a bottom view thereof;  
FIG. 5 is a first side view thereof;  
FIG. 6 is a second side view thereof; and,  
FIG. 7 is a top view thereof.

**1 Claim, 7 Drawing Sheets**



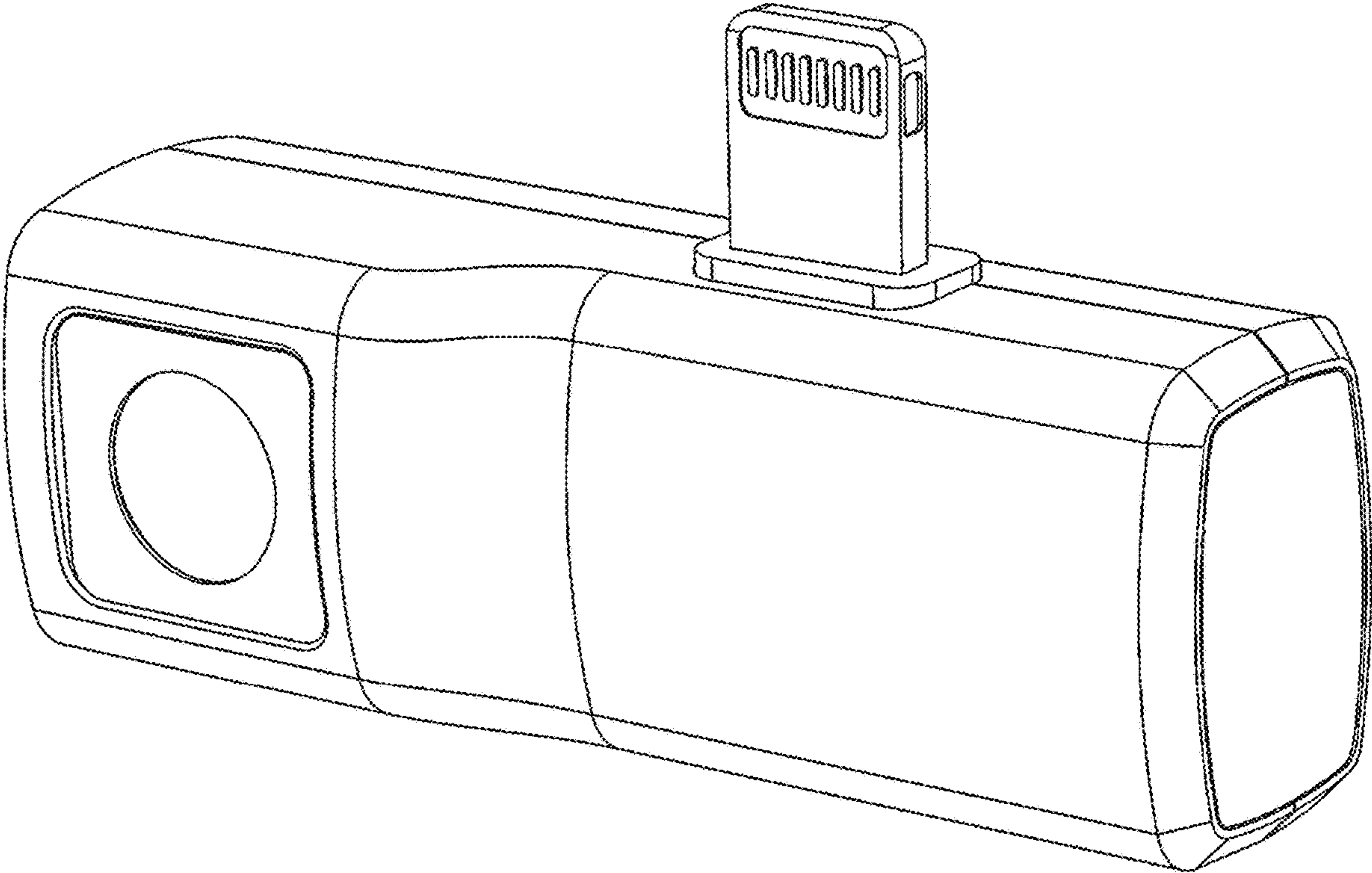


FIG. 1

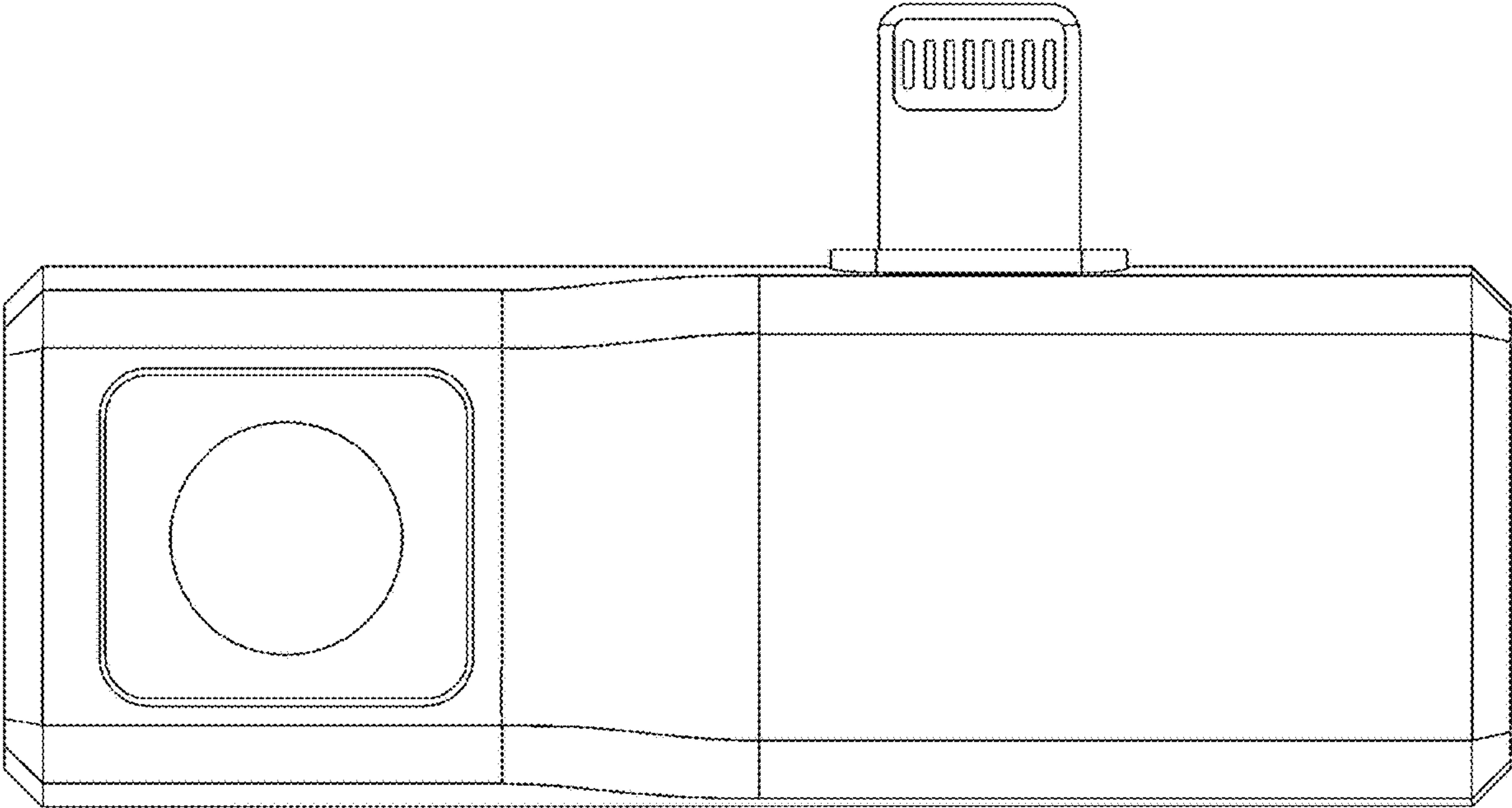


FIG. 2

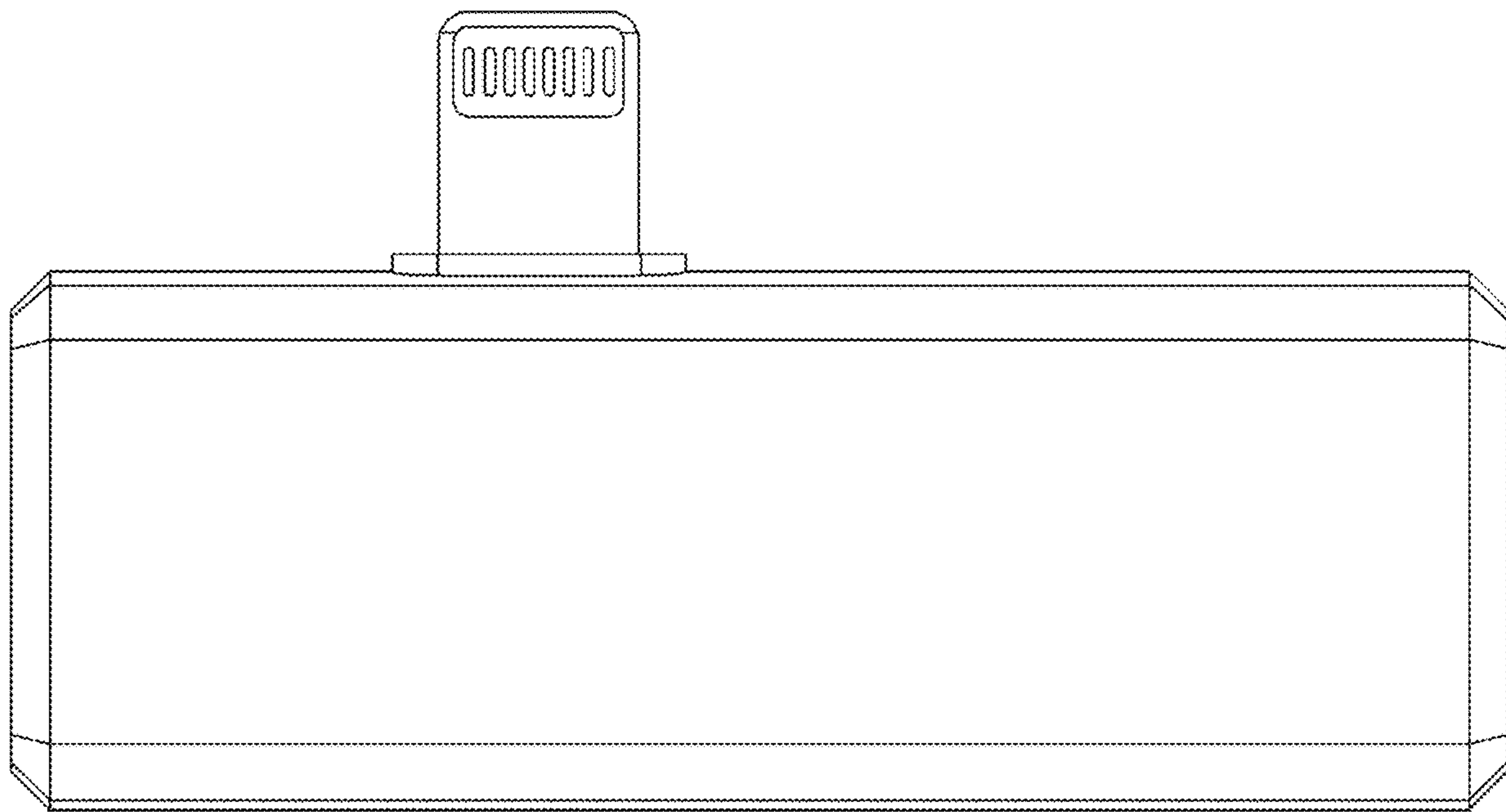


FIG. 3

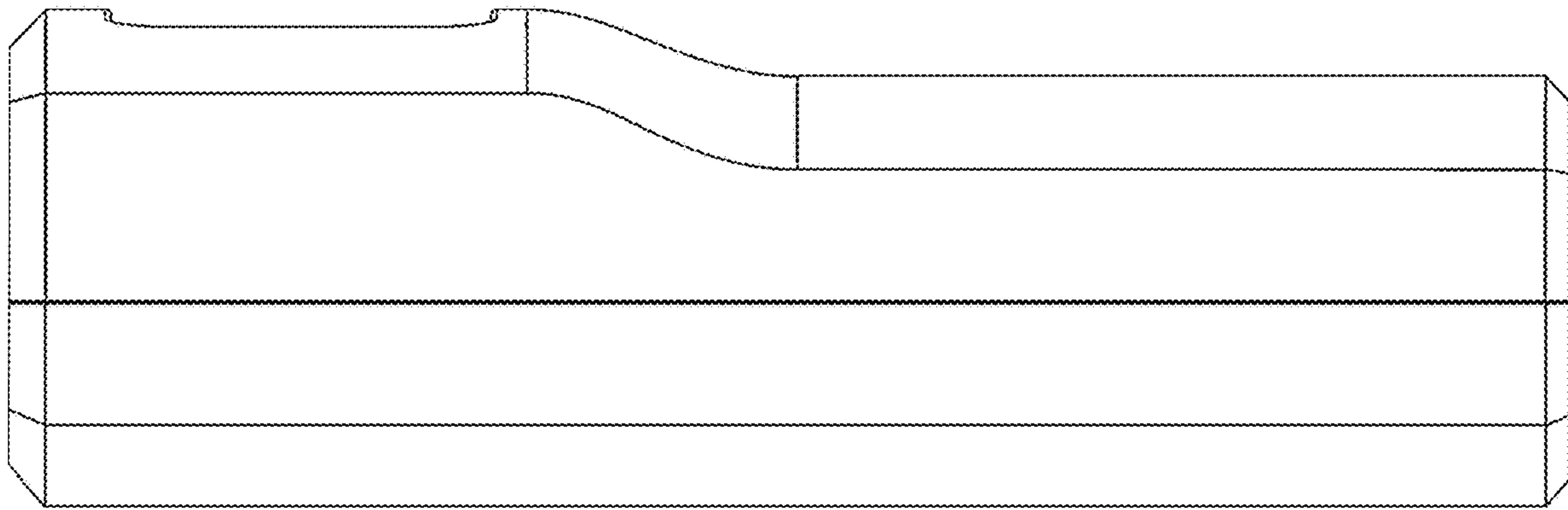


FIG. 4

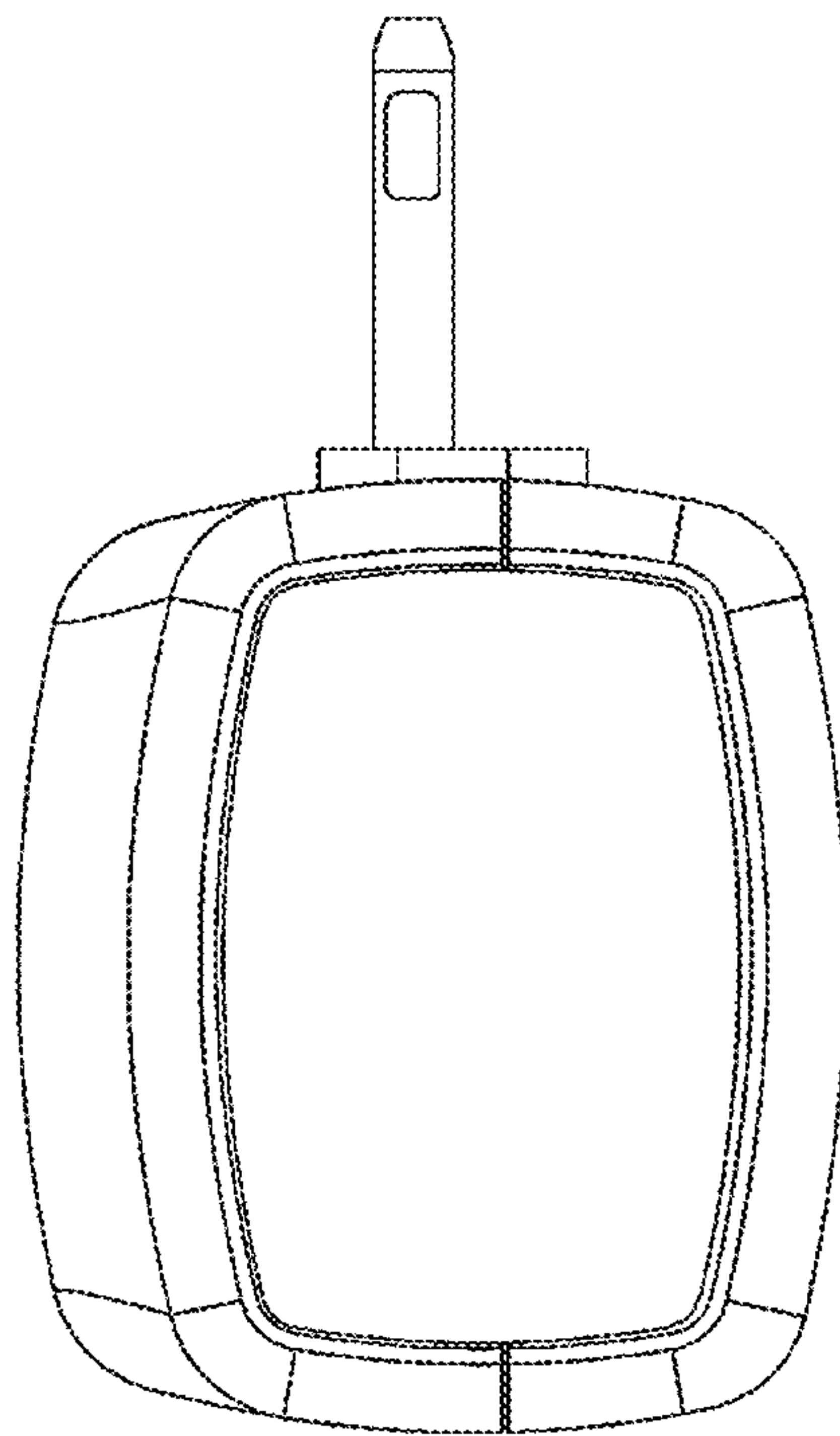


FIG. 5

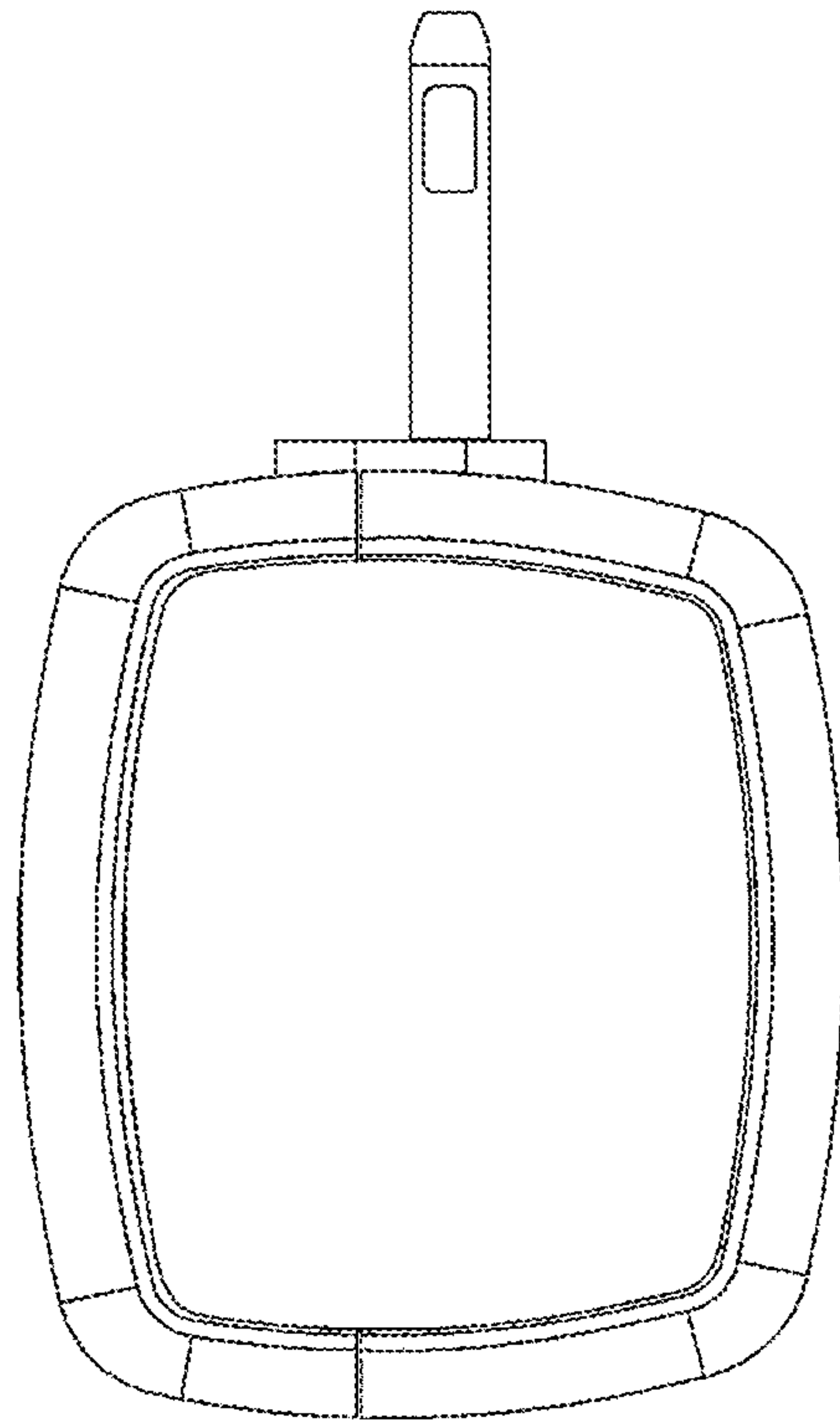


FIG. 6



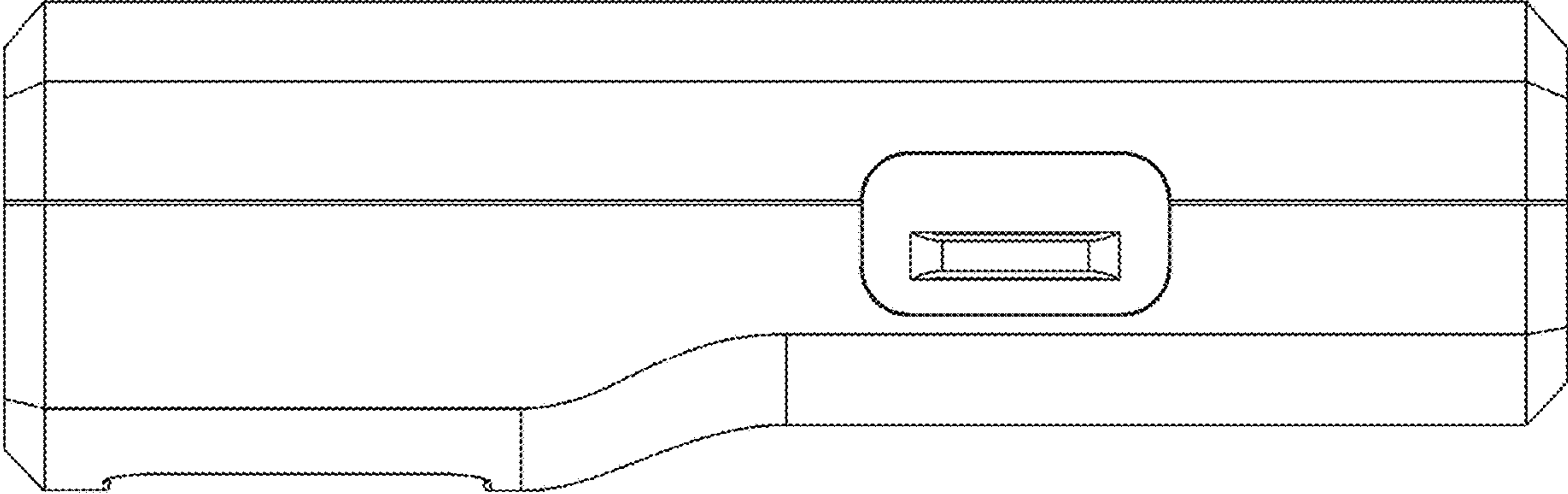


FIG. 7