



US00D918062S

(12) **United States Design Patent**
Qin

(10) **Patent No.:** **US D918,062 S**

(45) **Date of Patent:** **** May 4, 2021**

(54) **METAL DETECTOR**

D756,247 S * 5/2016 Pollock G01S 13/86
D10/47

(71) Applicant: **SHANGHAI 21ST CENTURY
ELECTRONIC EQUIPMENT CO.,
LTD.**, Shanghai (CN)

9,664,809 B2 * 5/2017 Fry G01V 3/104

9,733,353 B1 * 8/2017 Carlson G01S 13/885

9,864,089 B2 * 1/2018 Andel G01V 3/15

D844,462 S * 4/2019 Griffin D10/47

D844,463 S * 4/2019 Zhang G01V 3/15

D10/47

(72) Inventor: **Xiaolin Qin**, Shanghai (CN)

(Continued)

(73) Assignee: **SHANGHAI 21ST CENTURY
ELECTRONIC EQUIPMENT CO.,
LTD.**, Shanghai (CN)

Primary Examiner — Antoine Duval Davis

(**) Term: **15 Years**

(57) **CLAIM**

(21) Appl. No.: **29/762,763**

The ornamental design for a metal detector, as shown and described.

(22) Filed: **Dec. 18, 2020**

(51) **LOC (13) Cl.** **10-04**

(52) **U.S. Cl.**
USPC **D10/47**

DESCRIPTION

(58) **Field of Classification Search**
USPC D10/47

CPC ... G01V 3/00; G01V 3/02; G01V 3/04; G01V 3/06; G01V 3/08; G01V 3/081; G01V 3/082; G01V 3/083; G01V 2003/084; G01V 2003/085; G01V 2003/086; G01V 3/087; G01V 3/088; G01V 3/10; G01V 3/101; G01V 3/102; G01V 3/104; G01V 3/105; G01V 3/107; G01V 3/108; G01V 3/12; G01V 3/14; G01V 3/15; G01V 3/16; G01V 3/165; G01V 3/17; G01V 3/175; G01V 3/18; G01V 3/20; G01V 3/22; G01V 3/24; G01V 3/26; G01V 3/265; G01V 3/28; G01V 3/30; G01V 3/32; G01V 3/34; G01V 3/36; G01V 3/38; G01V 3/40

See application file for complete search history.

FIG. 1 is a perspective view of a metal detector showing my new design;

FIG. 2 is another perspective view thereof;

FIG. 3 is a front elevational view thereof;

FIG. 4 is a rear elevational view thereof;

FIG. 5 is a left side elevational view thereof;

FIG. 6 is a right side elevational view thereof;

FIG. 7 is a top plan view thereof; and

FIG. 8 is a bottom plan view thereof

FIG. 9 is a perspective view of the metal detector where the metal detector is in a configuration of use;

FIG. 10 is an enlarged view of portion 10 shown in FIG. 1;

FIG. 11 is an enlarged view of portion 11 shown in FIG. 1;

FIG. 12 is an enlarged view of portion 12 shown in FIG. 2; and,

FIG. 13 is an enlarged view of portion 13 shown in FIG. 2.

The broken lines in the drawings depict portions of the metal detector that form no part of the claimed design.

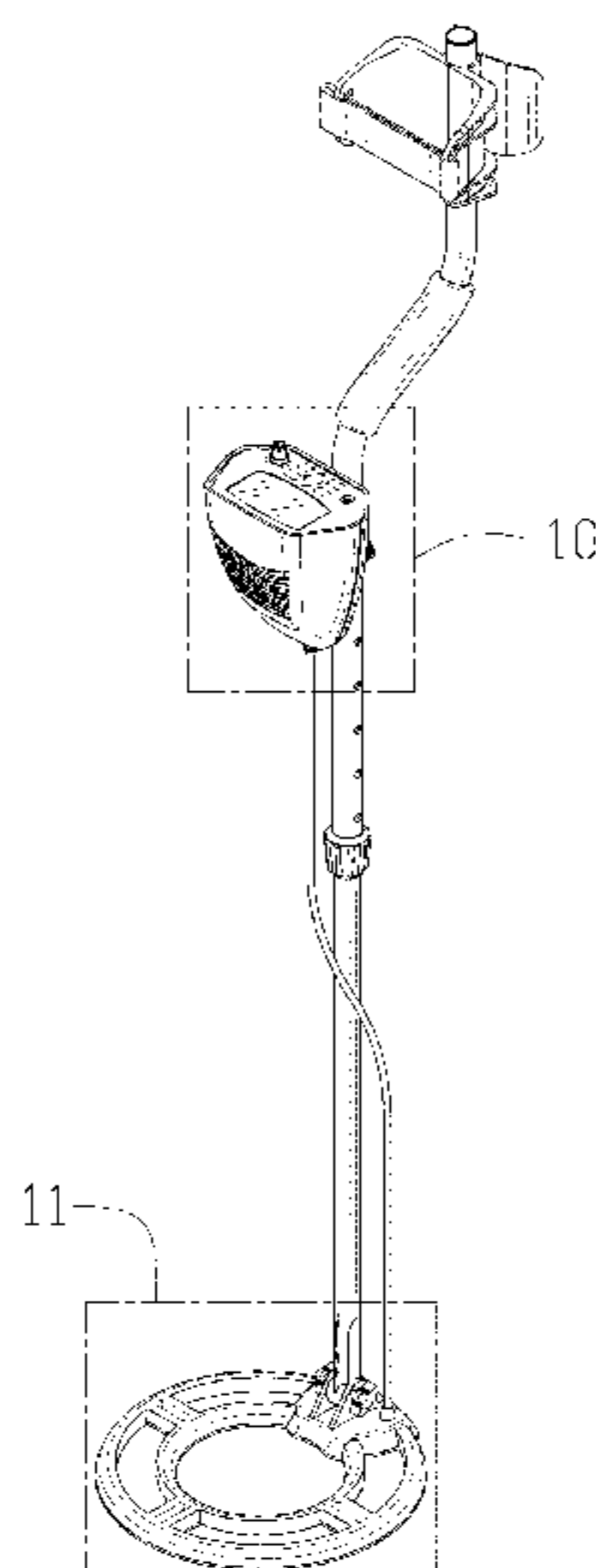
(56) **References Cited**

U.S. PATENT DOCUMENTS

8,842,035 B2 * 9/2014 Duvoisin, III G01S 13/86
342/22

9,021,661 B2 * 5/2015 Andel B25G 1/04
16/429

1 Claim, 13 Drawing Sheets



(56)

References Cited

U.S. PATENT DOCUMENTS

D846,411 S * 4/2019 Zhang G01S 13/885
D10/47
D863,077 S 10/2019 Shao
D867,170 S * 11/2019 Deng D10/47
D881,034 S * 4/2020 Zhang D10/47
D881,035 S * 4/2020 Zhang D10/47
D881,037 S * 4/2020 Zhang D10/47
D881,727 S * 4/2020 Deng D10/47
D884,492 S * 5/2020 Deng D10/47
D885,206 S * 5/2020 Deng D10/47
D885,939 S * 6/2020 Deng D10/47
D889,996 S * 7/2020 Qin D10/47
D889,997 S * 7/2020 Qin D10/47
D889,998 S * 7/2020 Qin D10/47
D889,999 S * 7/2020 Qin D10/47
D899,275 S * 10/2020 Ye D10/47
10,809,411 B2 * 10/2020 Deng H04W 4/029

* cited by examiner

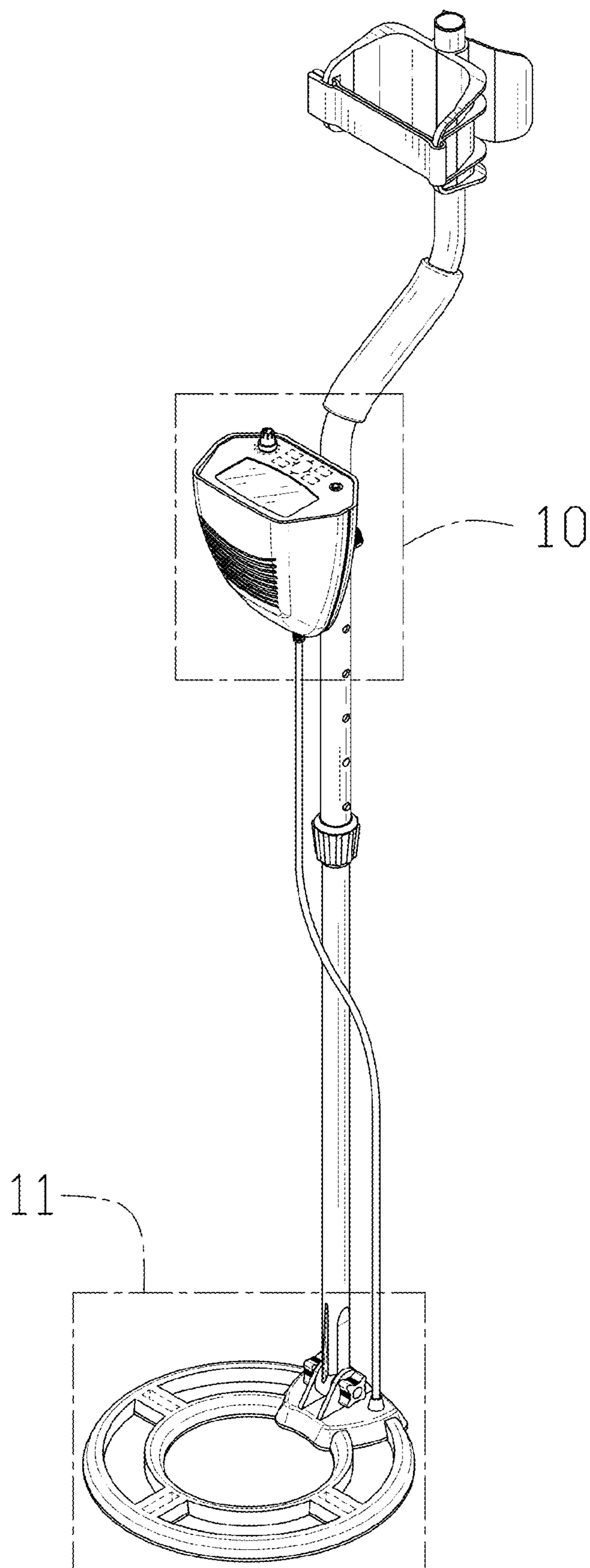


FIG. 1

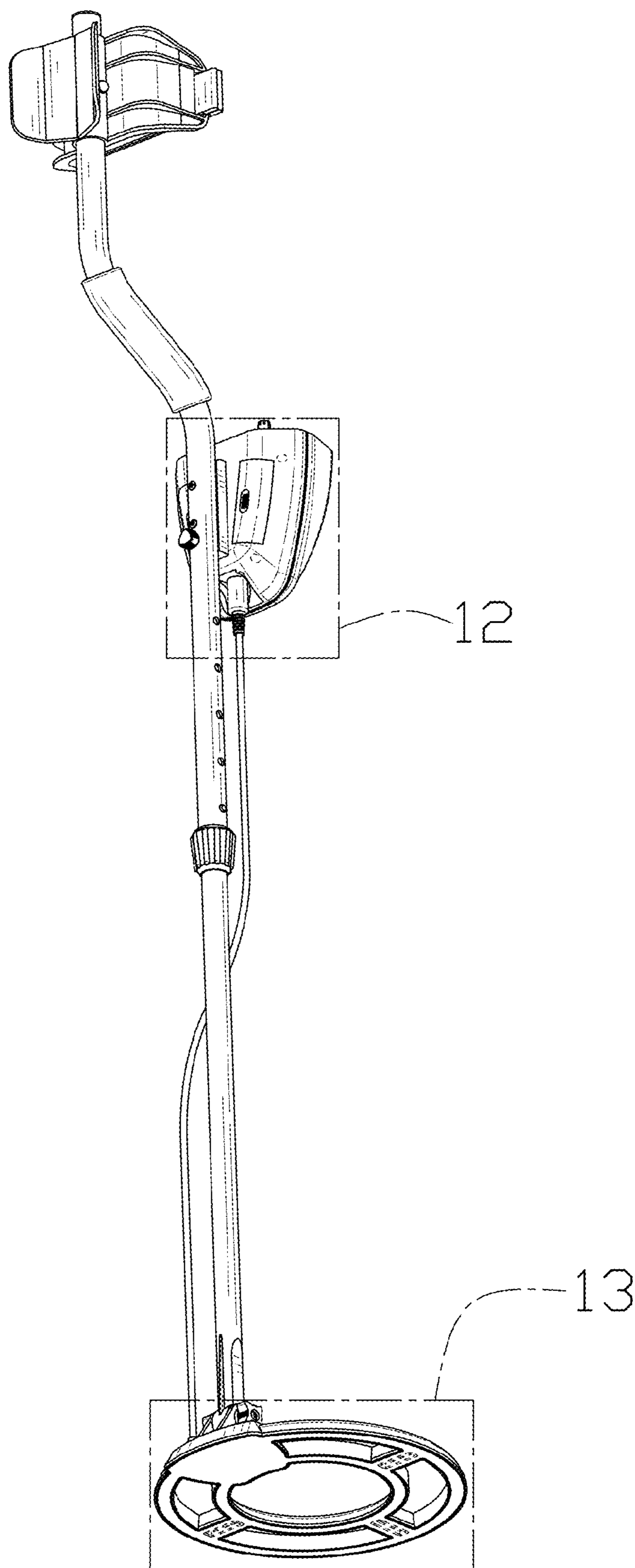


FIG. 2

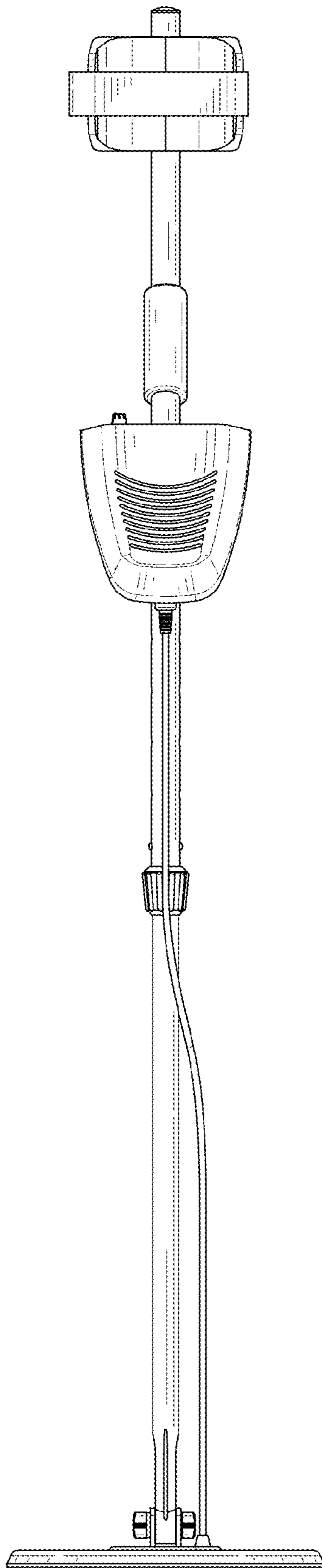


FIG. 3

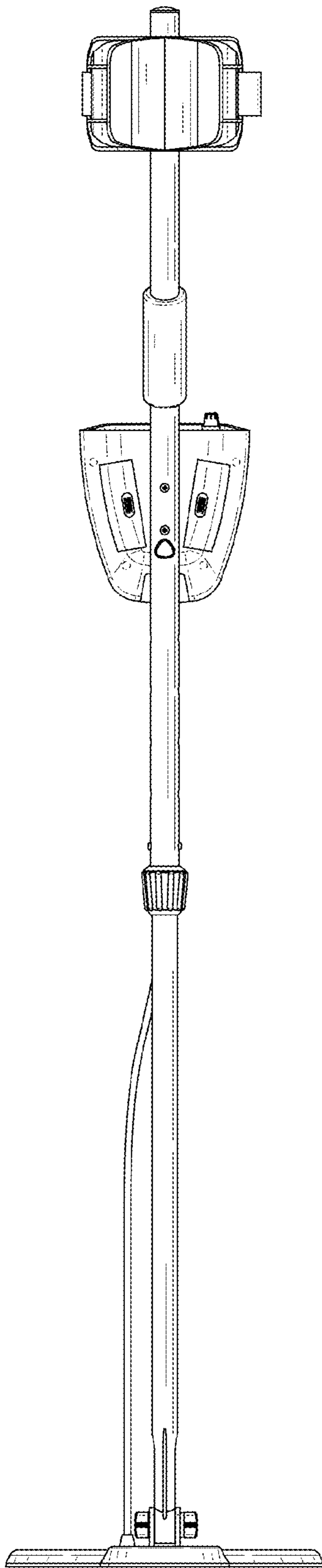


FIG. 4

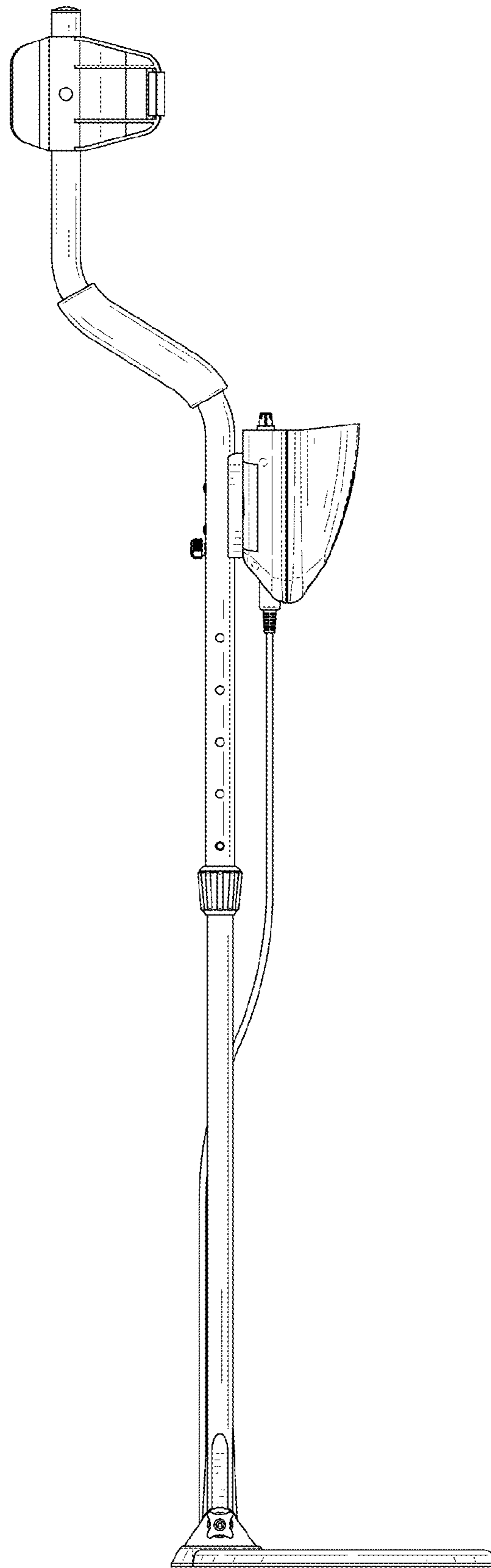


FIG. 5

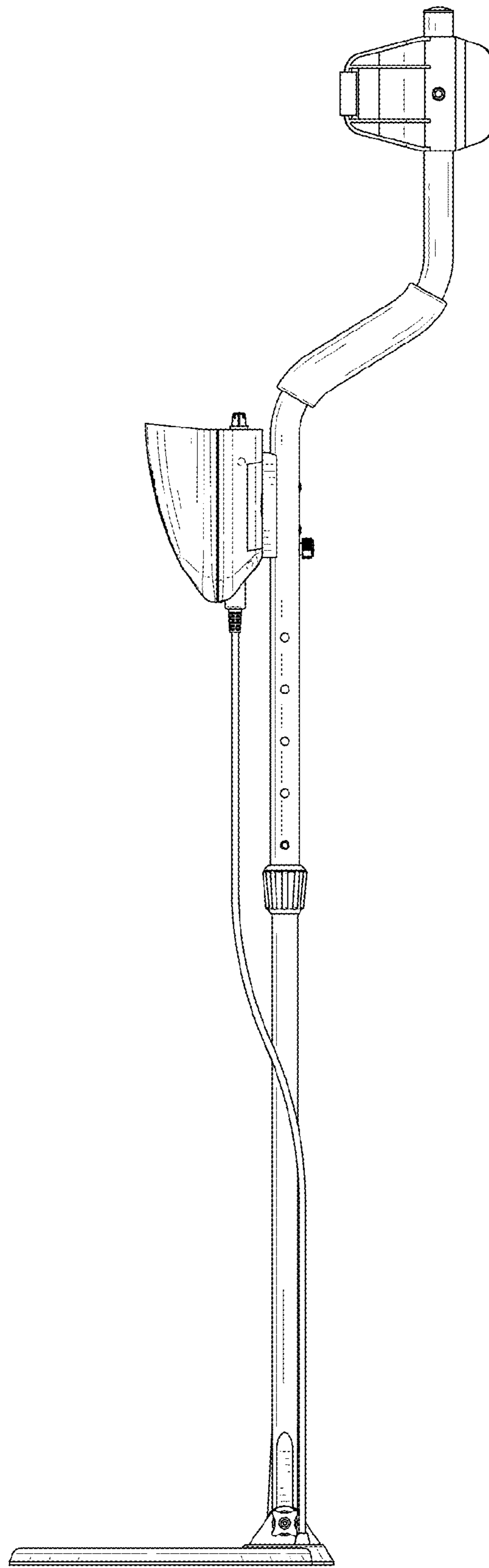


FIG. 6

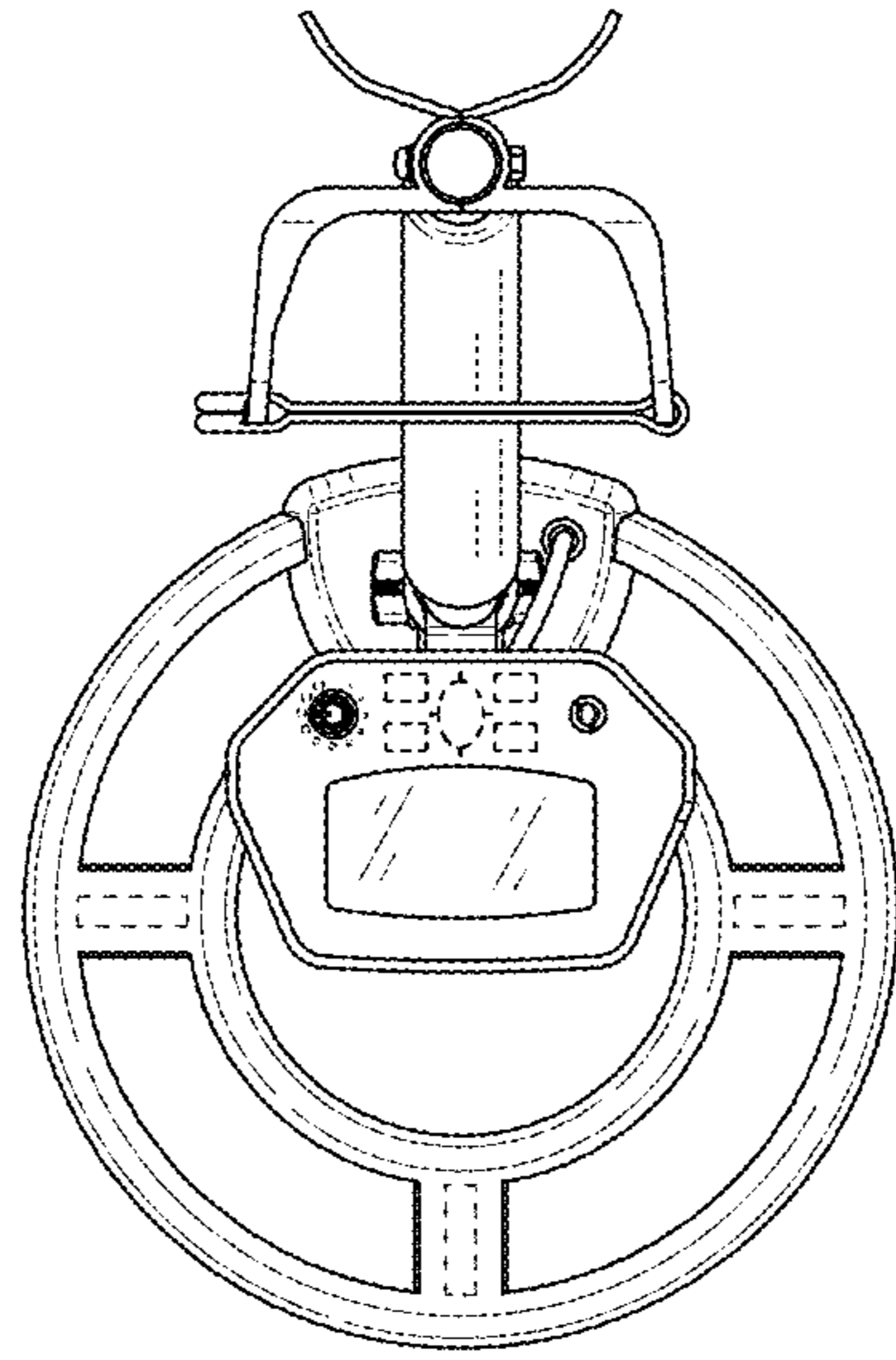


FIG. 7

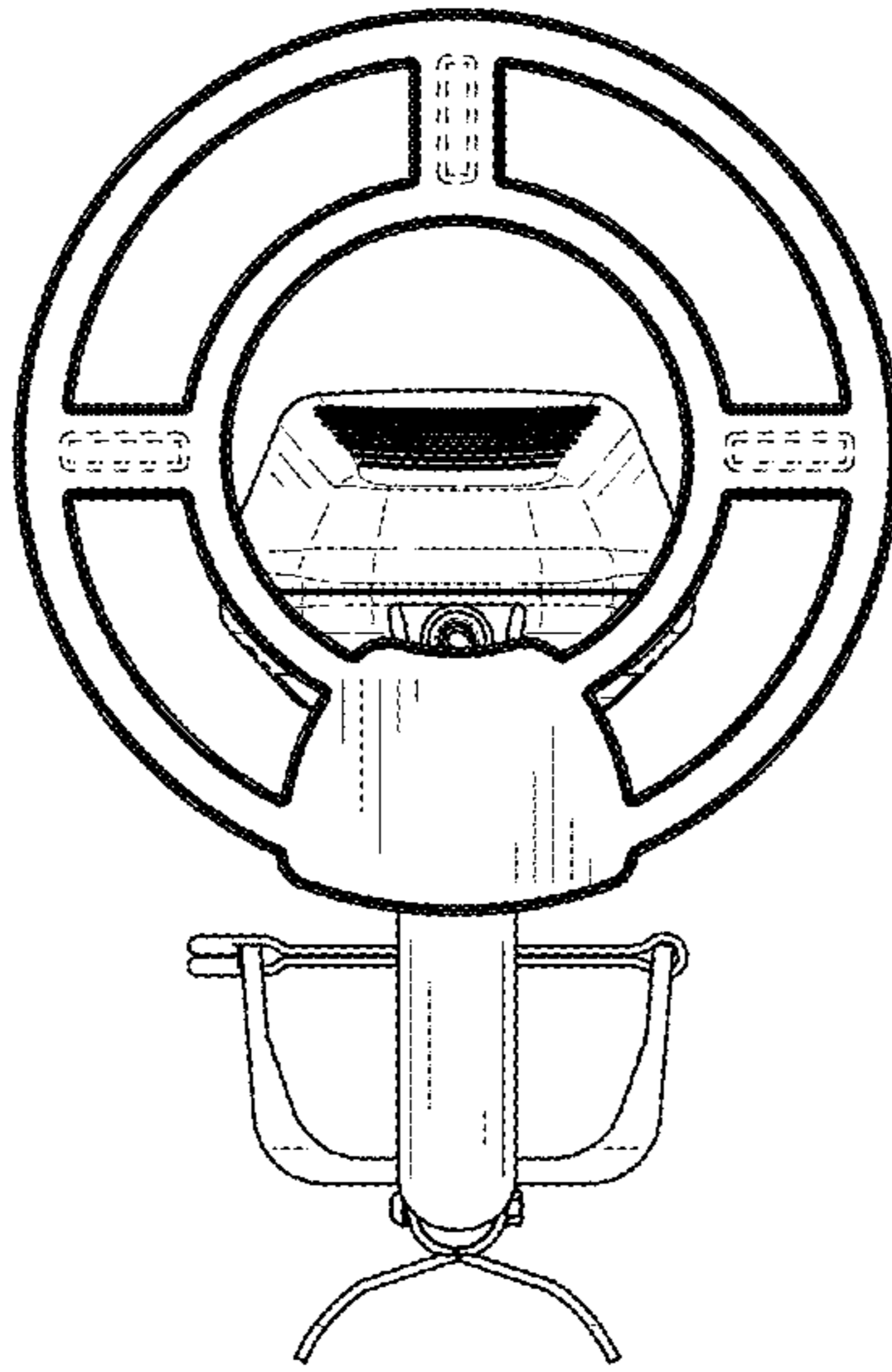


FIG. 8

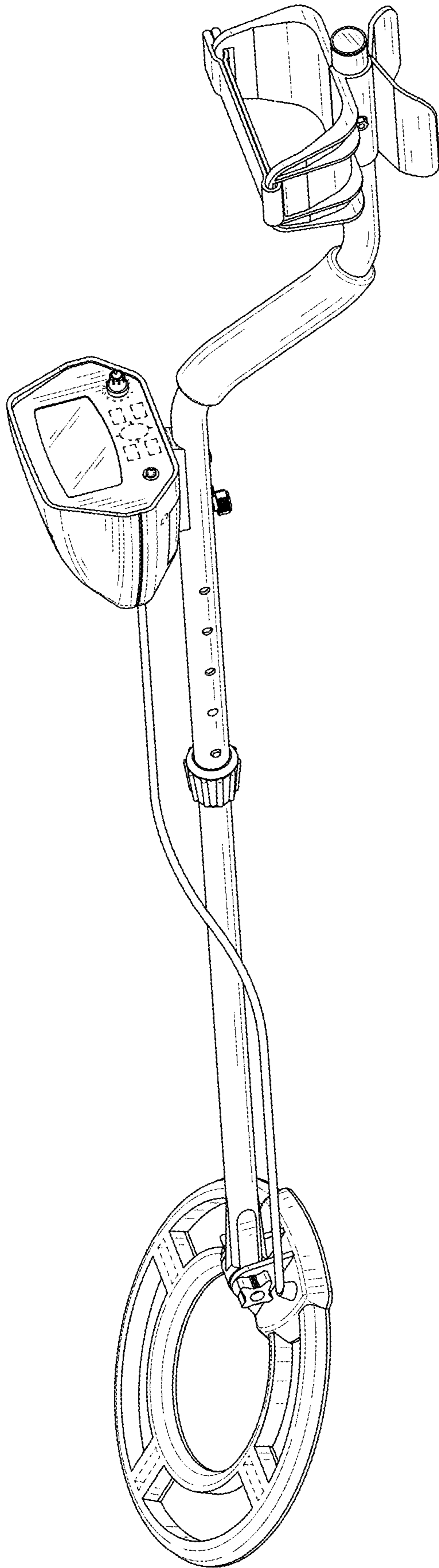


FIG. 9

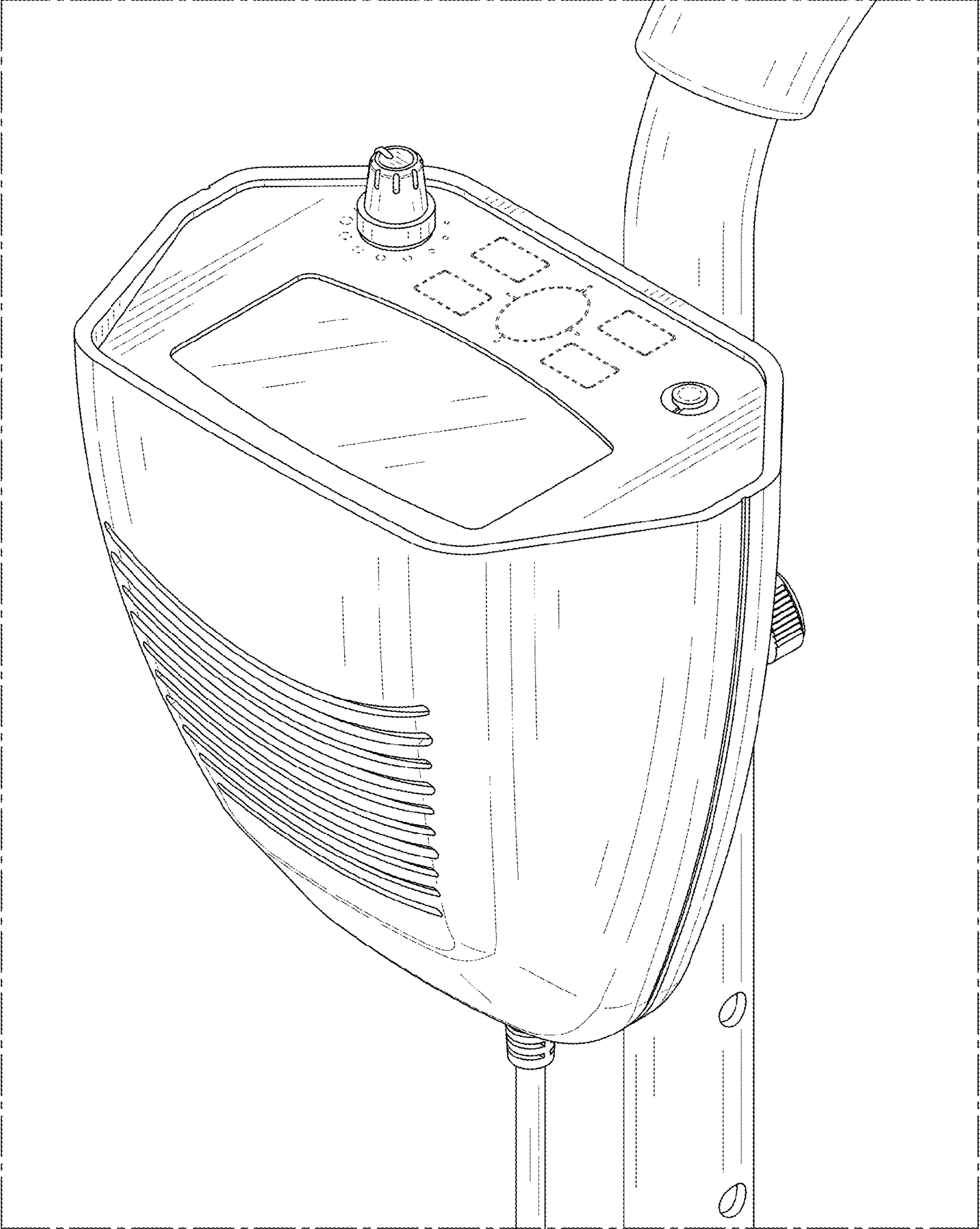


FIG. 10

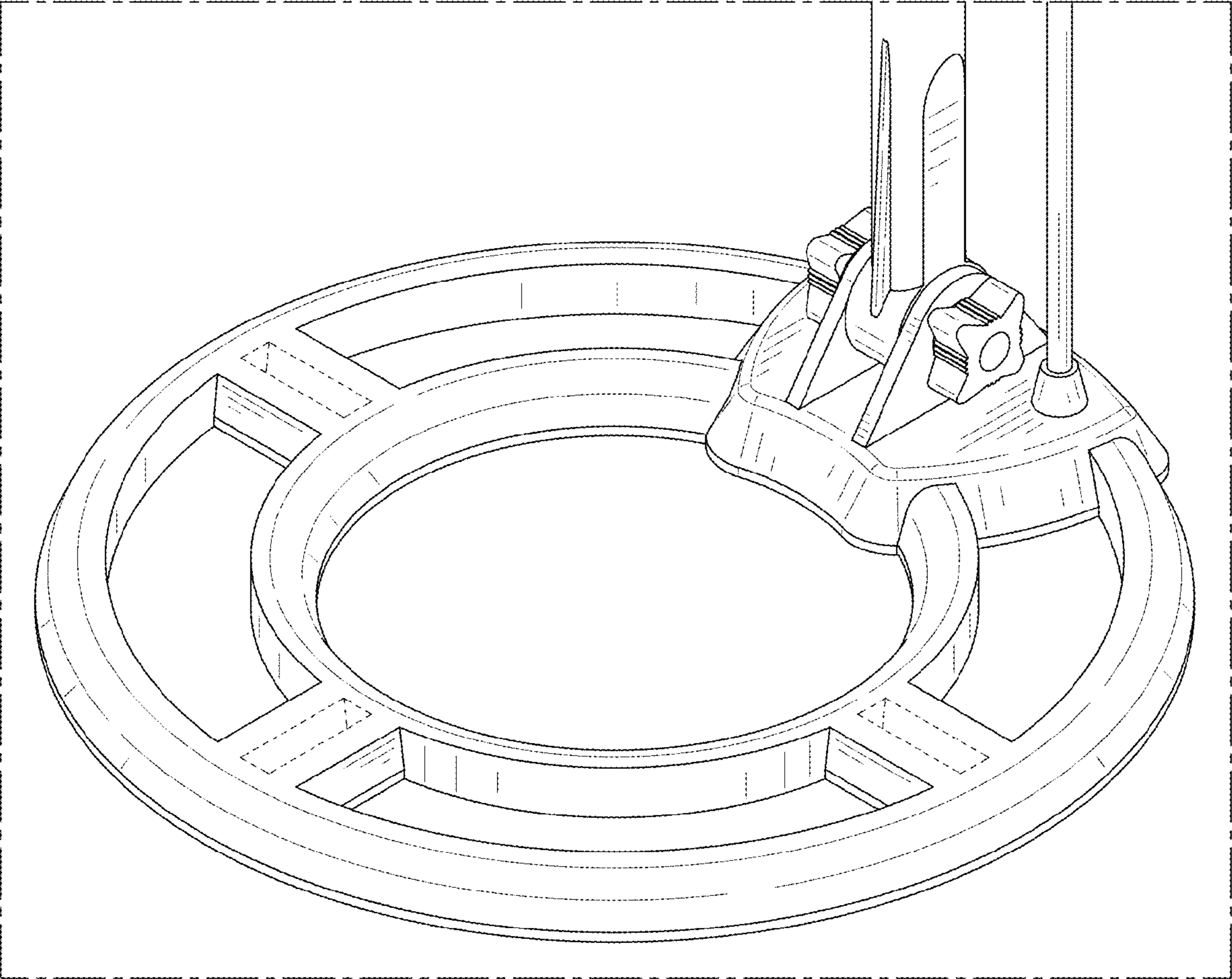


FIG. 11

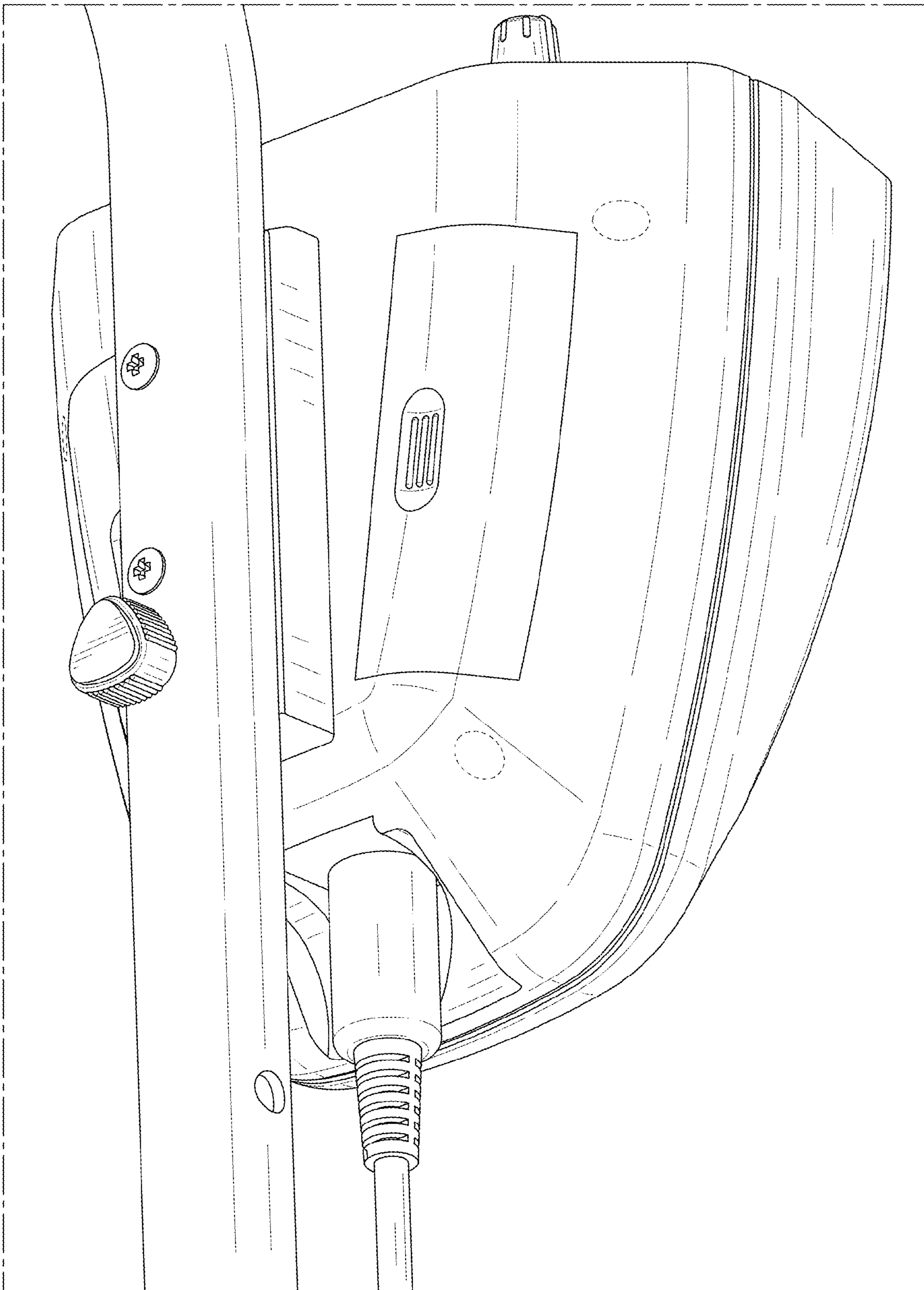


FIG. 12

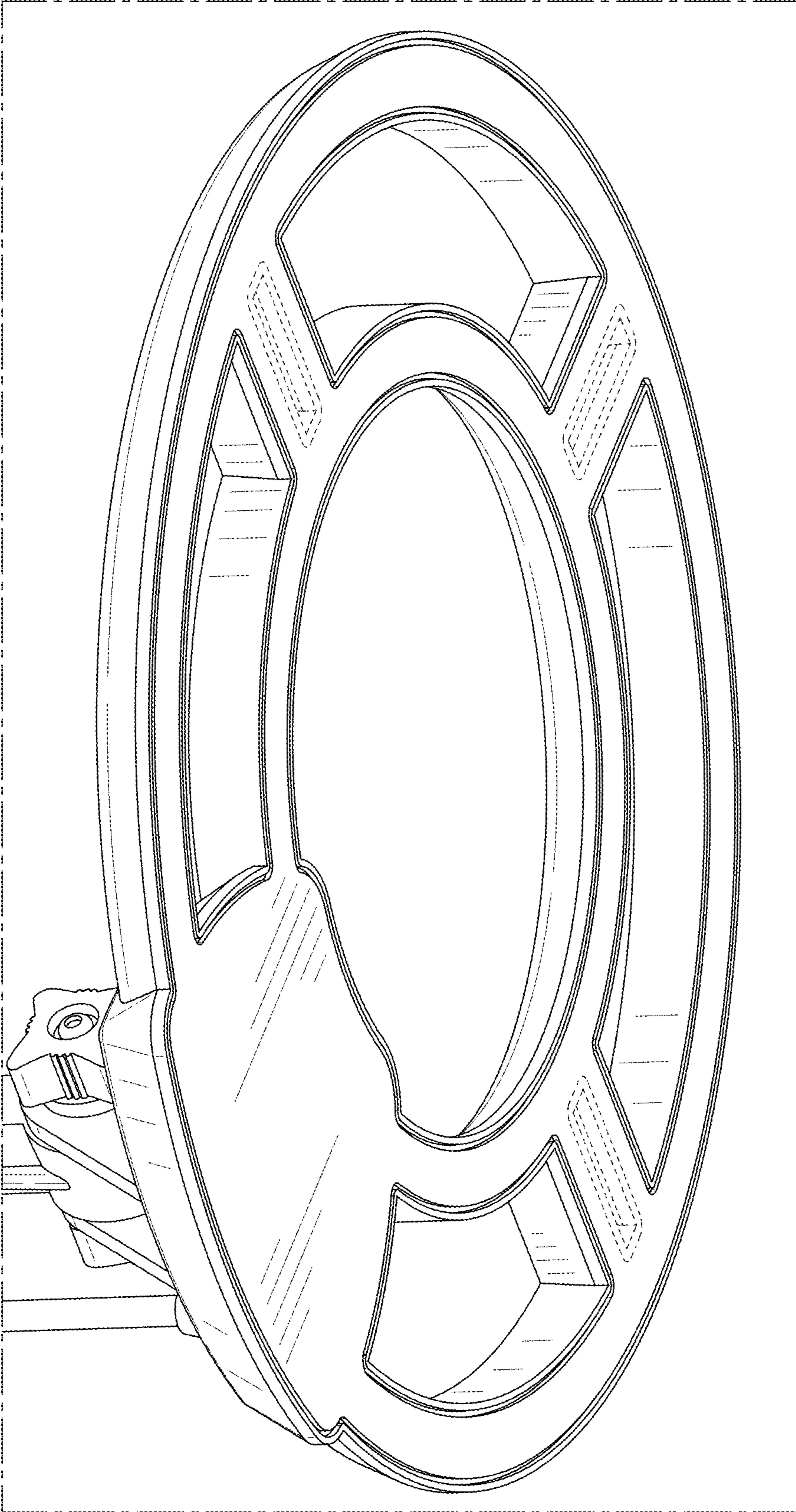


FIG. 13