



US00D918056S

(12) **United States Design Patent**  
**Garrison**

(10) **Patent No.:** **US D918,056 S**

(45) **Date of Patent:** **\*\* May 4, 2021**

(54) **MATERIAL DISPENSER BOX**

(71) Applicant: **Hair Art Essentials, LLC**, Anderson, SC (US)

(72) Inventor: **Jessica Neal Garrison**, Anderson, SC (US)

(73) Assignee: **Hair Art Essentials, LLC**, Anderson, SC (US)

(\*\*) Term: **15 Years**

(21) Appl. No.: **29/701,440**

(22) Filed: **Aug. 12, 2019**

(51) **LOC (13) Cl.** ..... **09-01**

(52) **U.S. Cl.**  
USPC ..... **D9/734; D9/432**

(58) **Field of Classification Search**  
USPC ..... D9/414–423, 430–433, 434, 455, 456,  
D9/721–722, 737, 756, 758, 759, 760,  
D9/730, 734  
CPC ... B65D 5/00; B65D 5/02; B65D 5/18; B65D  
5/20  
See application file for complete search history.

(56) **References Cited**

**U.S. PATENT DOCUMENTS**

3,443,738	A *	5/1969	Devejian	.....	B65D 5/18 206/395
D465,728	S *	11/2002	Feyereisen	.....	D9/432
D546,679	S *	7/2007	El-Afandi	.....	D9/416
D618,391	S *	6/2010	Moore	.....	D27/172
D643,306	S *	8/2011	Martinez	.....	D9/721
D738,202	S *	9/2015	Stone	.....	D9/418
10,351,294	B2 *	7/2019	Huffer	.....	B32B 3/08
D856,797	S *	8/2019	Sill	.....	D9/418
D877,611	S *	3/2020	Kuzmann	.....	D9/418
D883,082	S *	5/2020	Oravec	.....	D9/418
D887,282	S *	6/2020	O'Neill	.....	D9/737

(Continued)

**OTHER PUBLICATIONS**

How FoilFix works. [online] Published Aug. 13, 2019. Retrieved from URL: [https://www.youtube.com/watch?v=bOg\\_qGTXEXQ](https://www.youtube.com/watch?v=bOg_qGTXEXQ).\*

*Primary Examiner* — Vy N Koenig  
(74) *Attorney, Agent, or Firm* — Burr & Forman LLP;  
Douglas L. Lineberry

(57) **CLAIM**

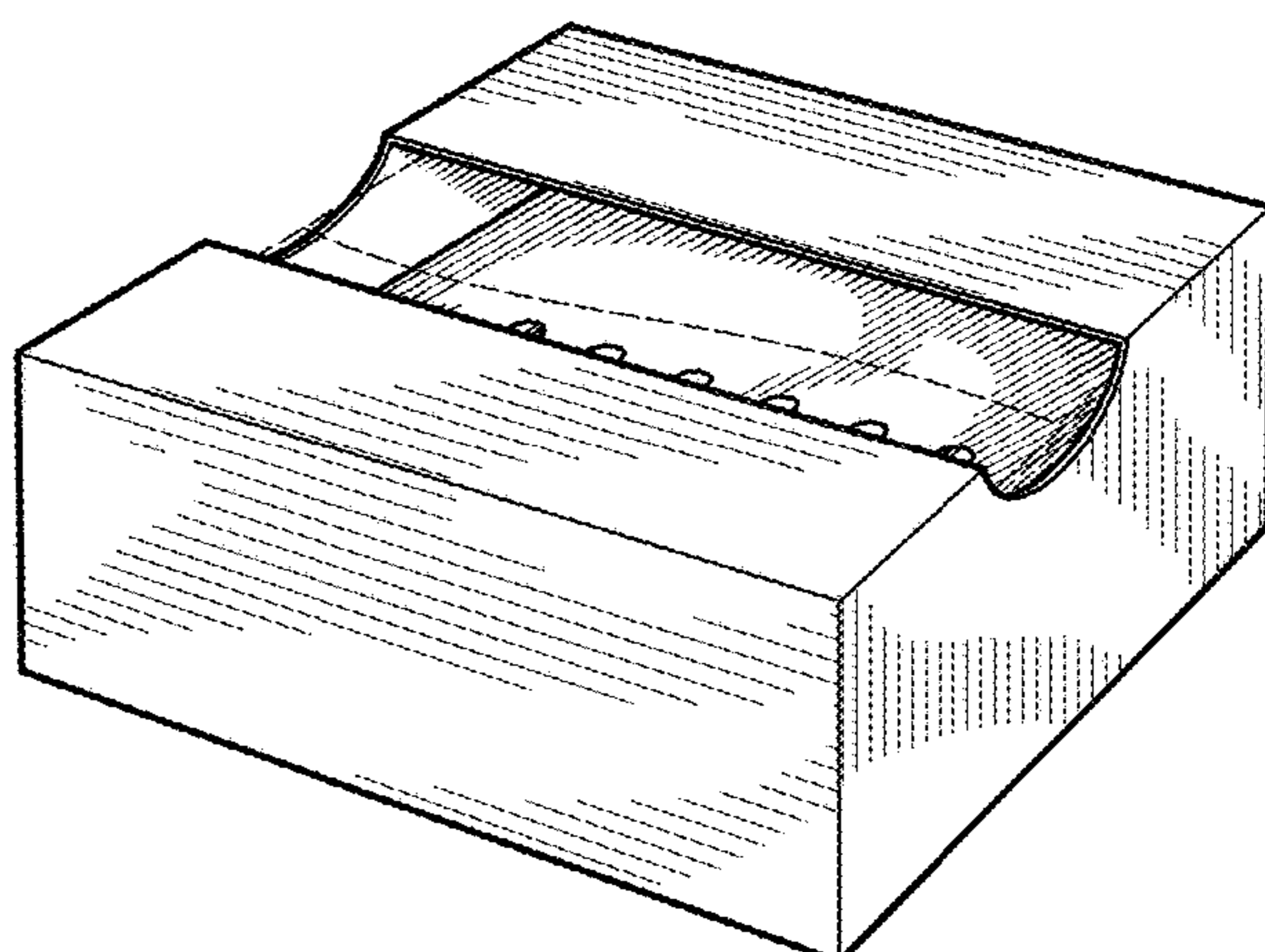
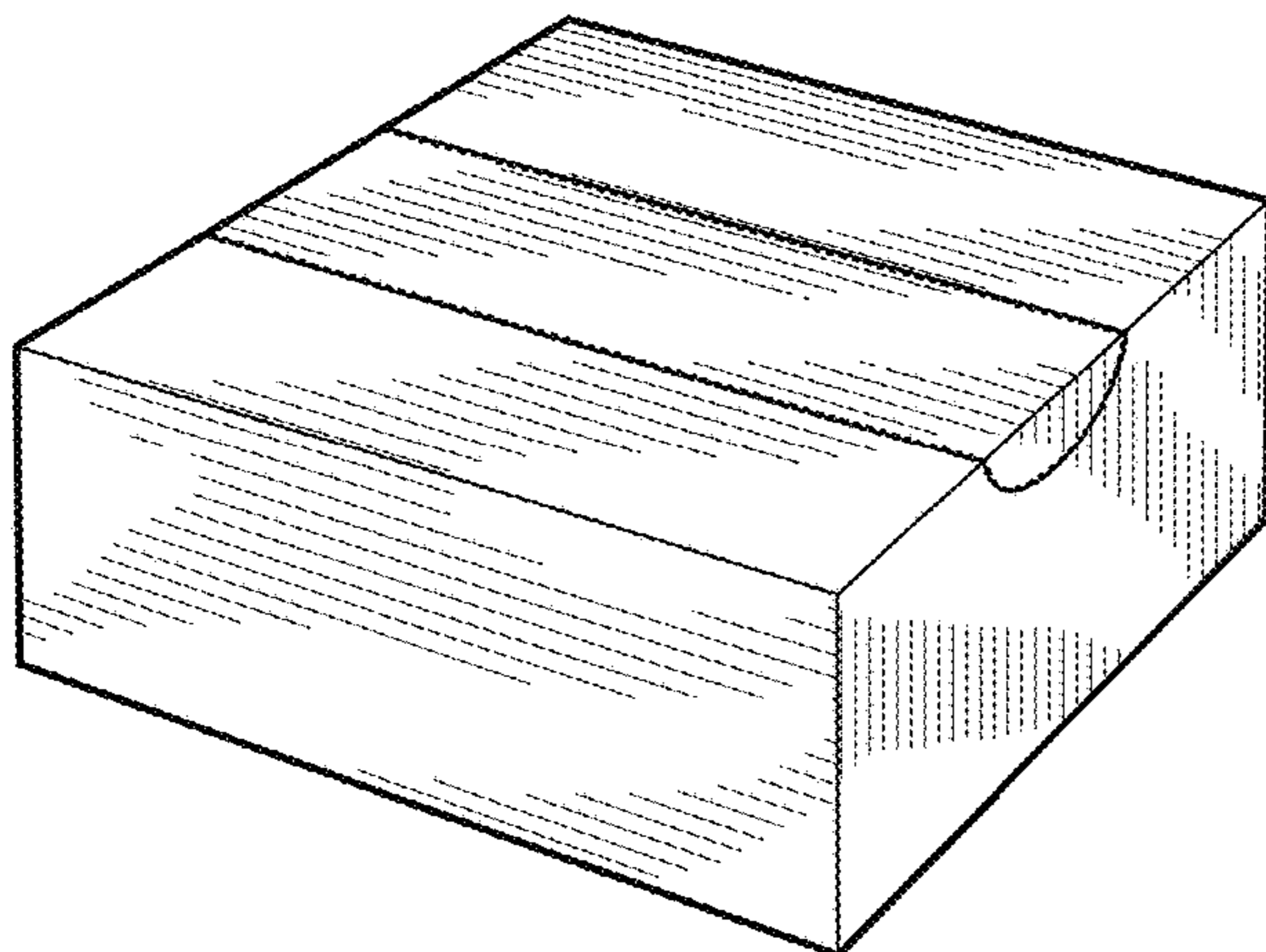
The ornamental design for a material dispenser box, as shown and described.

**DESCRIPTION**

FIG. 1 is a top, right perspective view of a material dispenser box showing my new design in a first configuration prior to manipulating/removal of perforated features;  
 FIG. 2 is a bottom, right perspective thereof;  
 FIG. 3 is a front view thereof, the back view being a mirror image of the front;  
 FIG. 4 is a left side view thereof, the right side view being a mirror image of the left;  
 FIG. 5 is a top view thereof;  
 FIG. 6 is a bottom view thereof;  
 FIG. 7 is a top, right perspective view of the material dispenser box of FIG. 1 in a second configuration with perforated features manipulated/removed to view interior structures;  
 FIG. 8 is a bottom, right perspective view thereof;  
 FIG. 9 is a bottom, left perspective view thereof;  
 FIG. 10 is a left side view thereof, the right side view being a mirror image of the left;  
 FIG. 11 is a top view thereof; and,  
 FIG. 12 is a bottom view thereof.

The short dashed broken lines in the drawings depict perforations or fold lines and form no part of the claimed design. The long dashed broken lines in the drawings depict environmental subject matter and form no part of the claimed design.

**1 Claim, 6 Drawing Sheets**



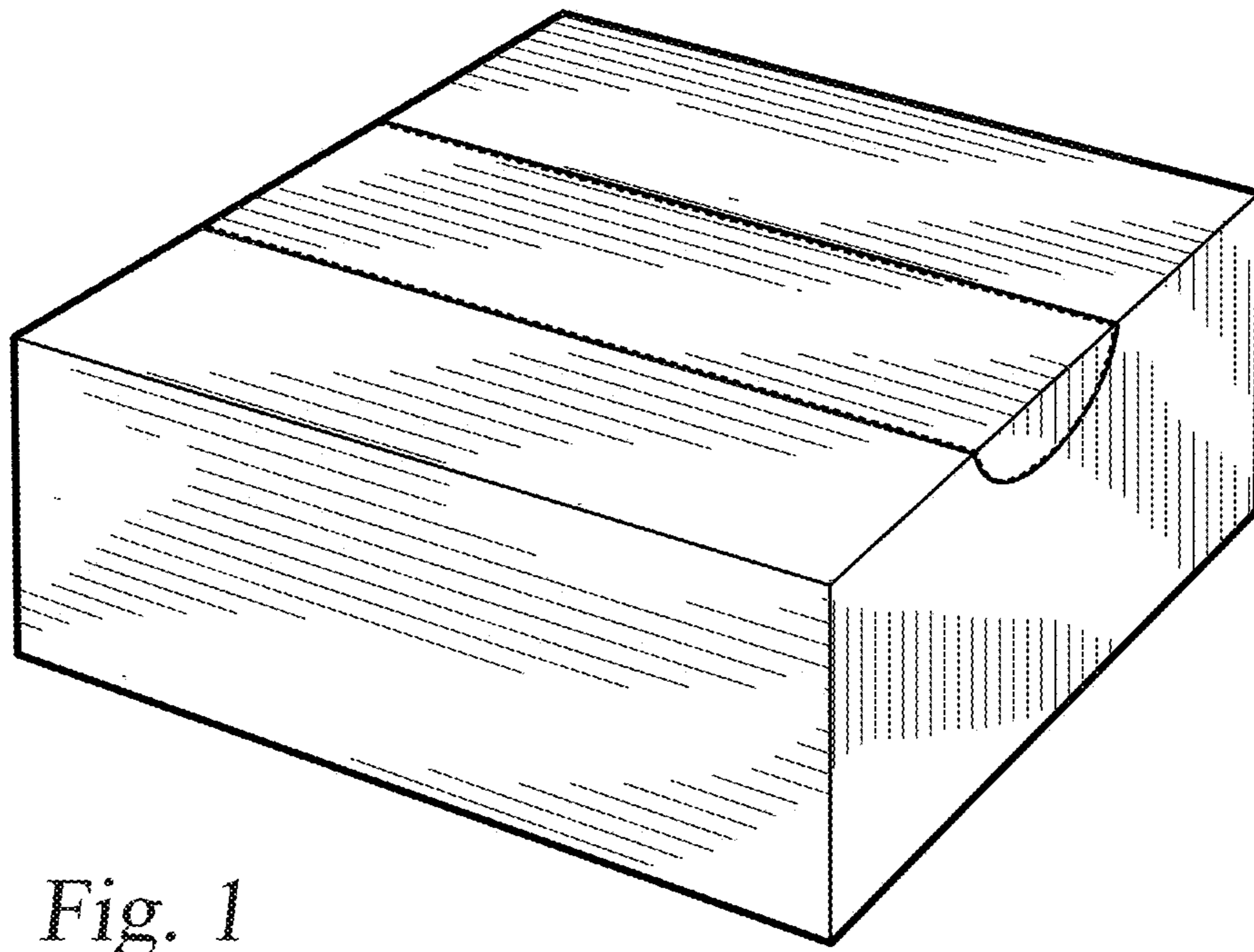
(56)

**References Cited**

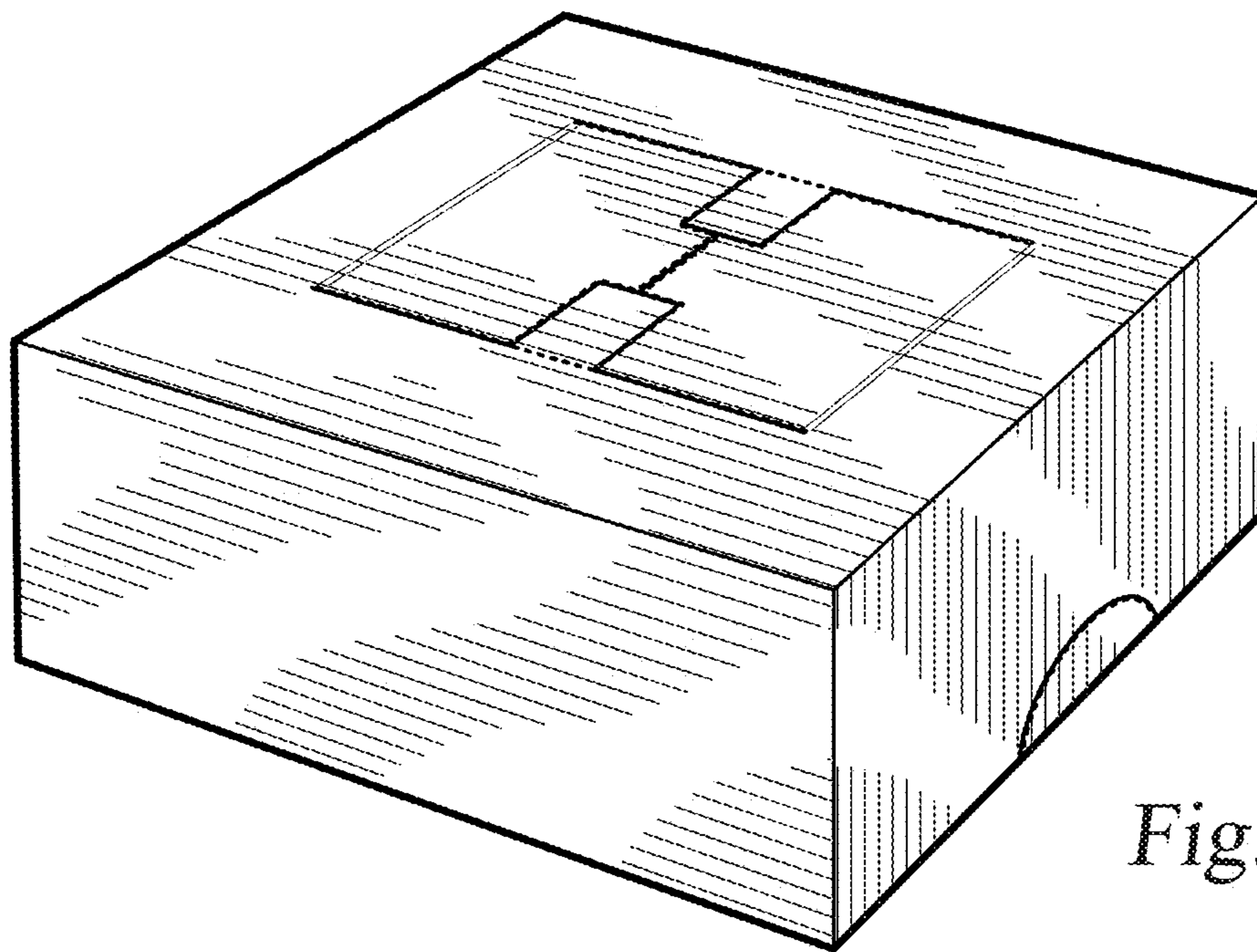
U.S. PATENT DOCUMENTS

D889,956 S *	7/2020	Uyeda .....	D9/418
2018/0022534 A1 *	1/2018	McCormick .....	B65D 85/18
			206/278
2019/0144157 A1 *	5/2019	Sill .....	B65D 5/4204
			206/459.1

\* cited by examiner

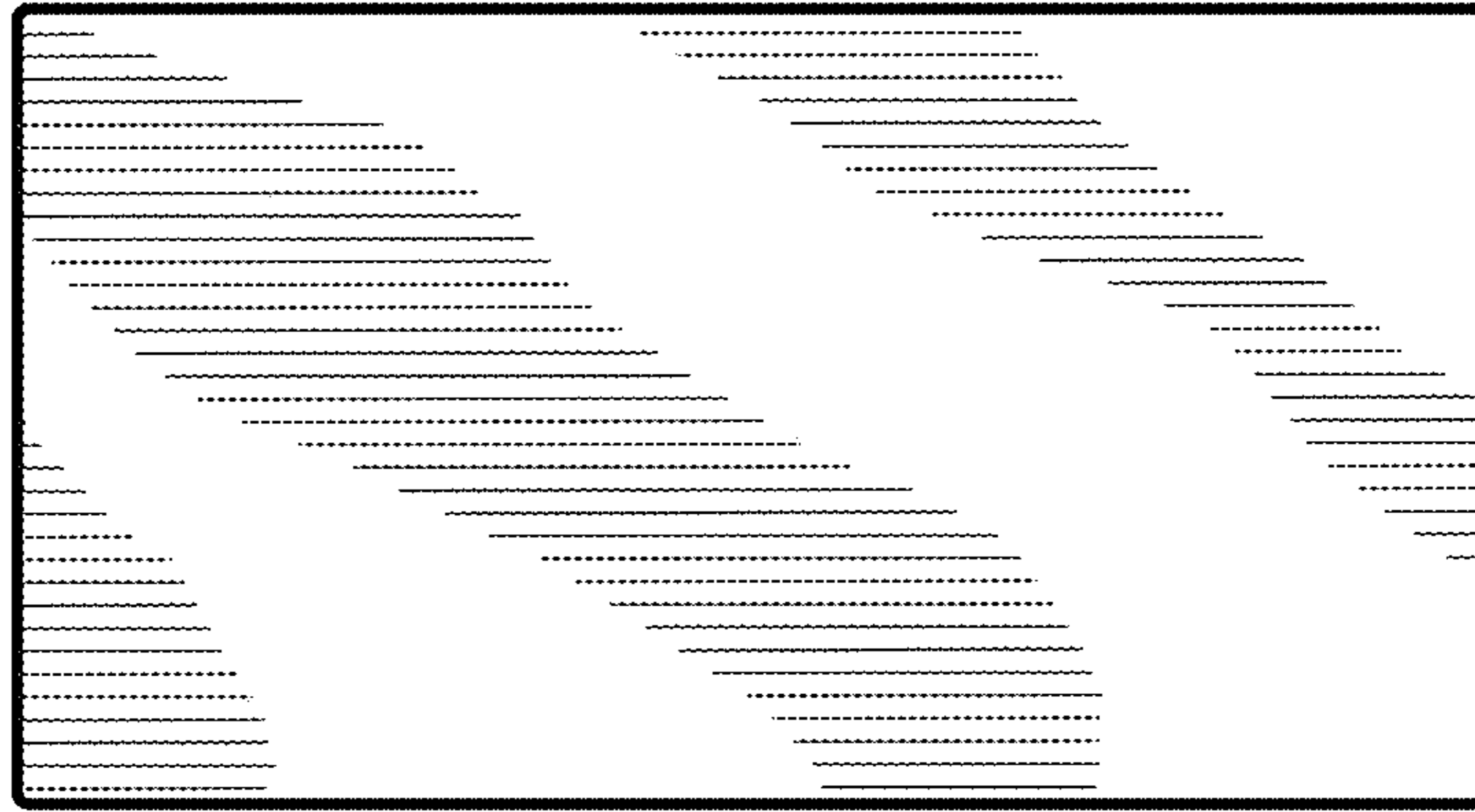


*Fig. 1*

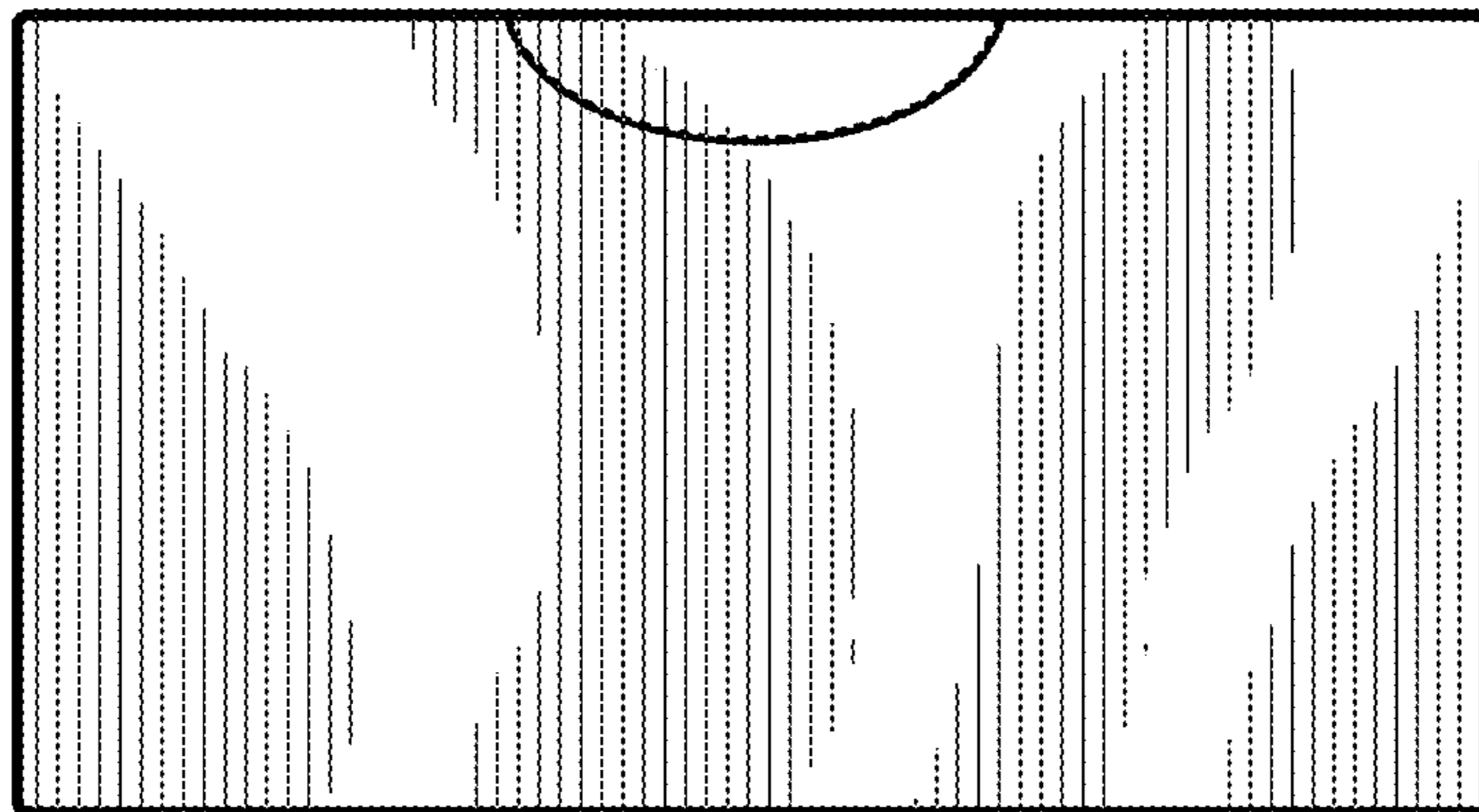


*Fig. 2*

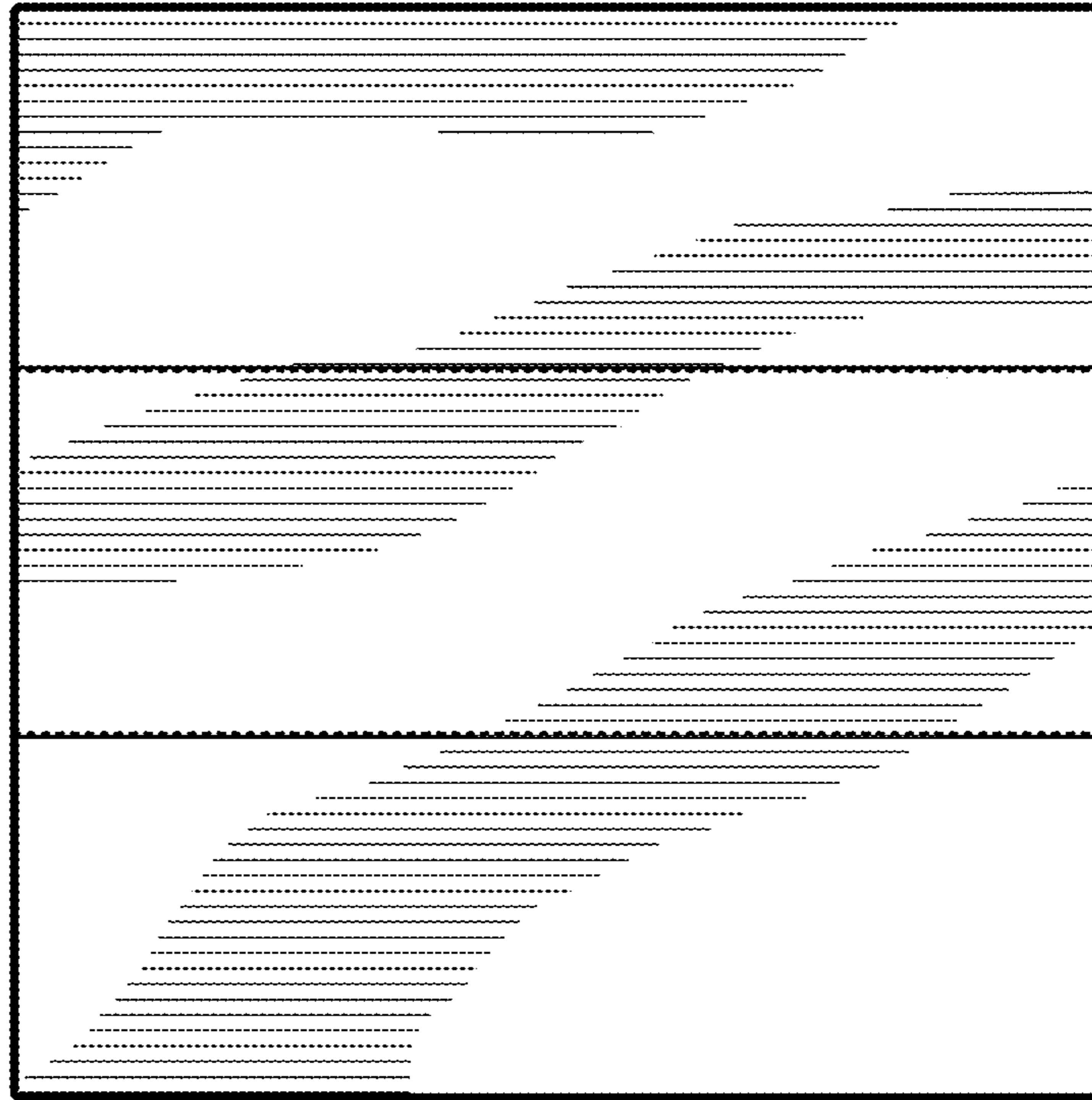




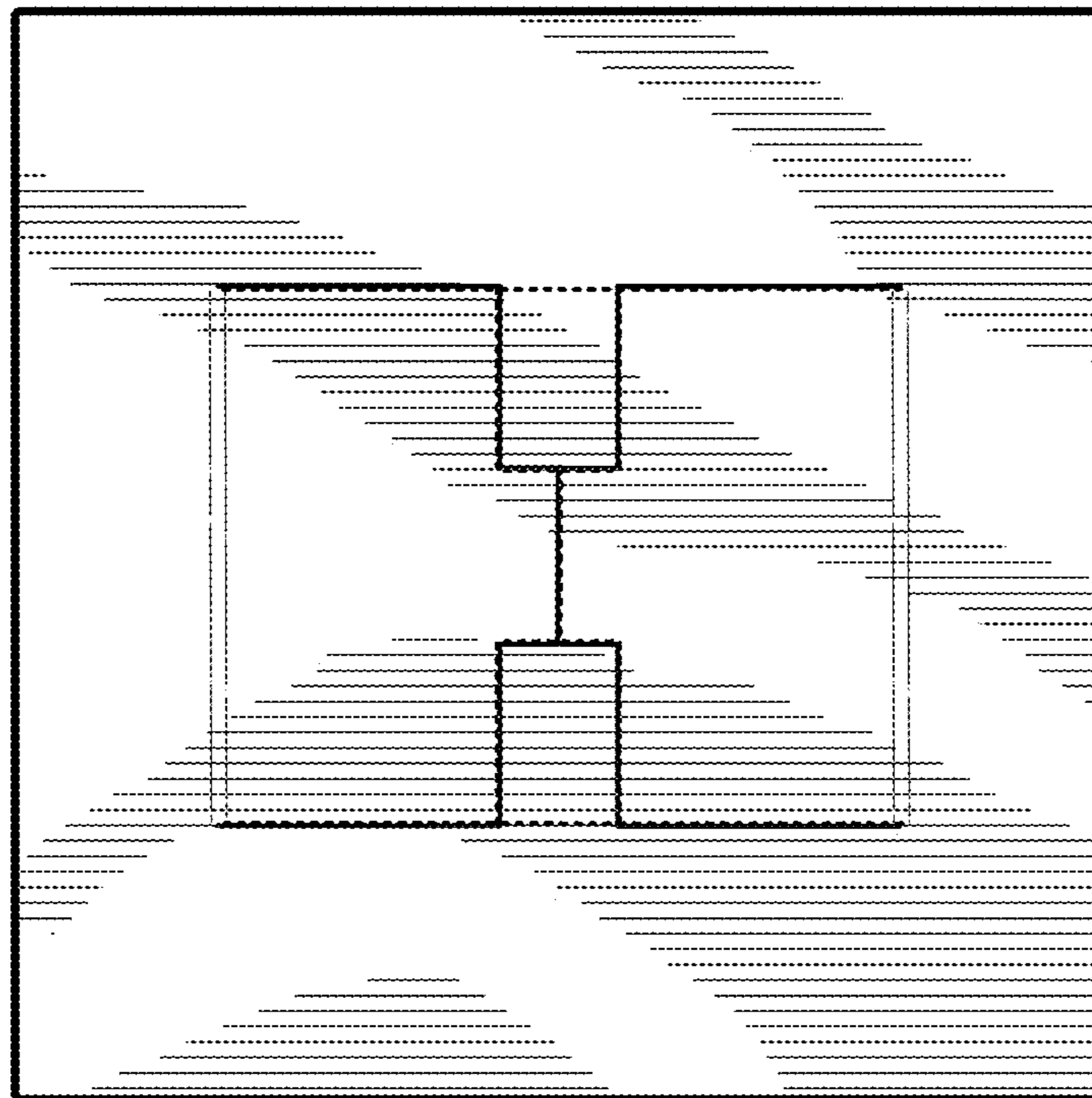
*Fig. 3*



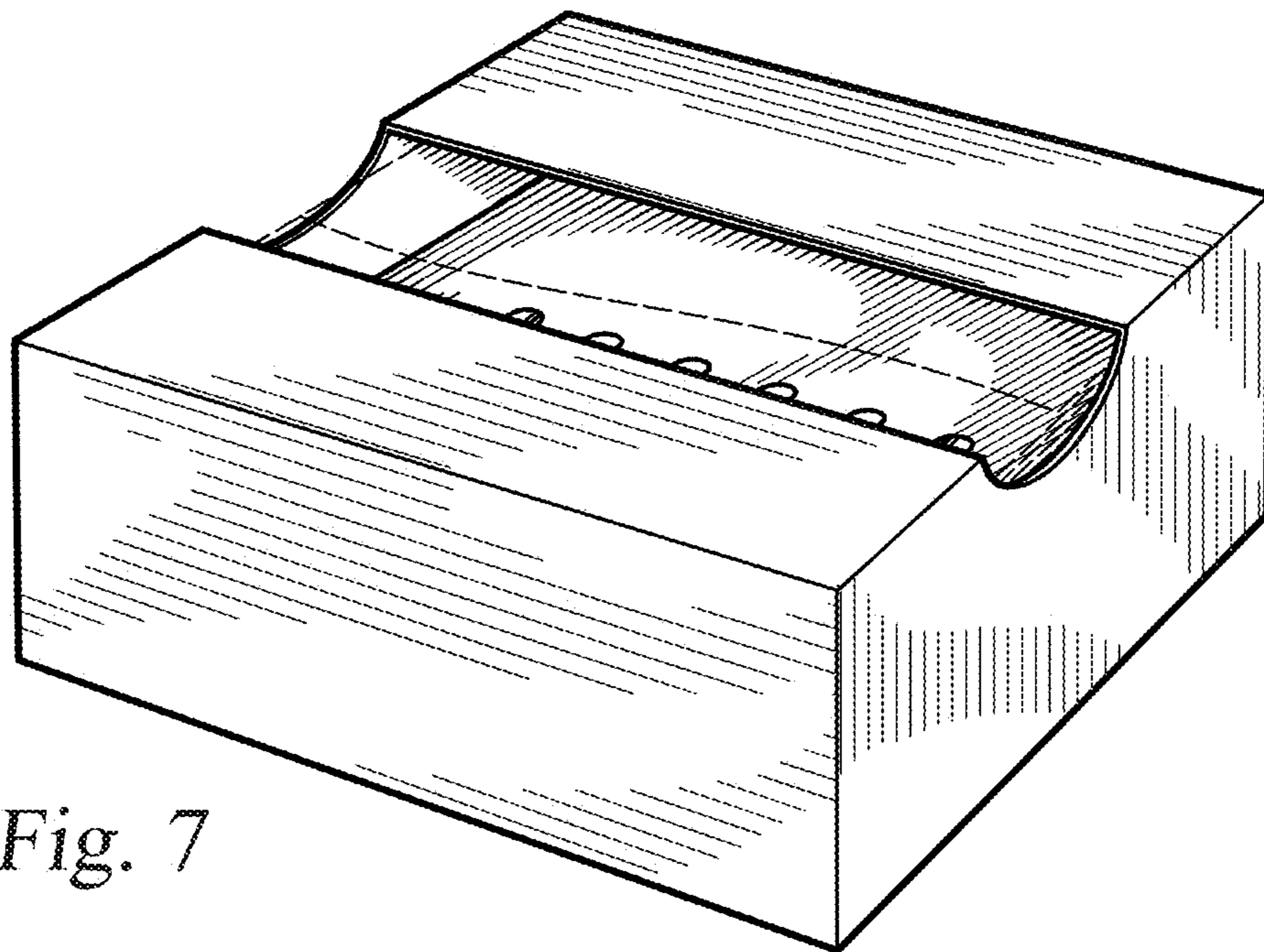
*Fig. 4*



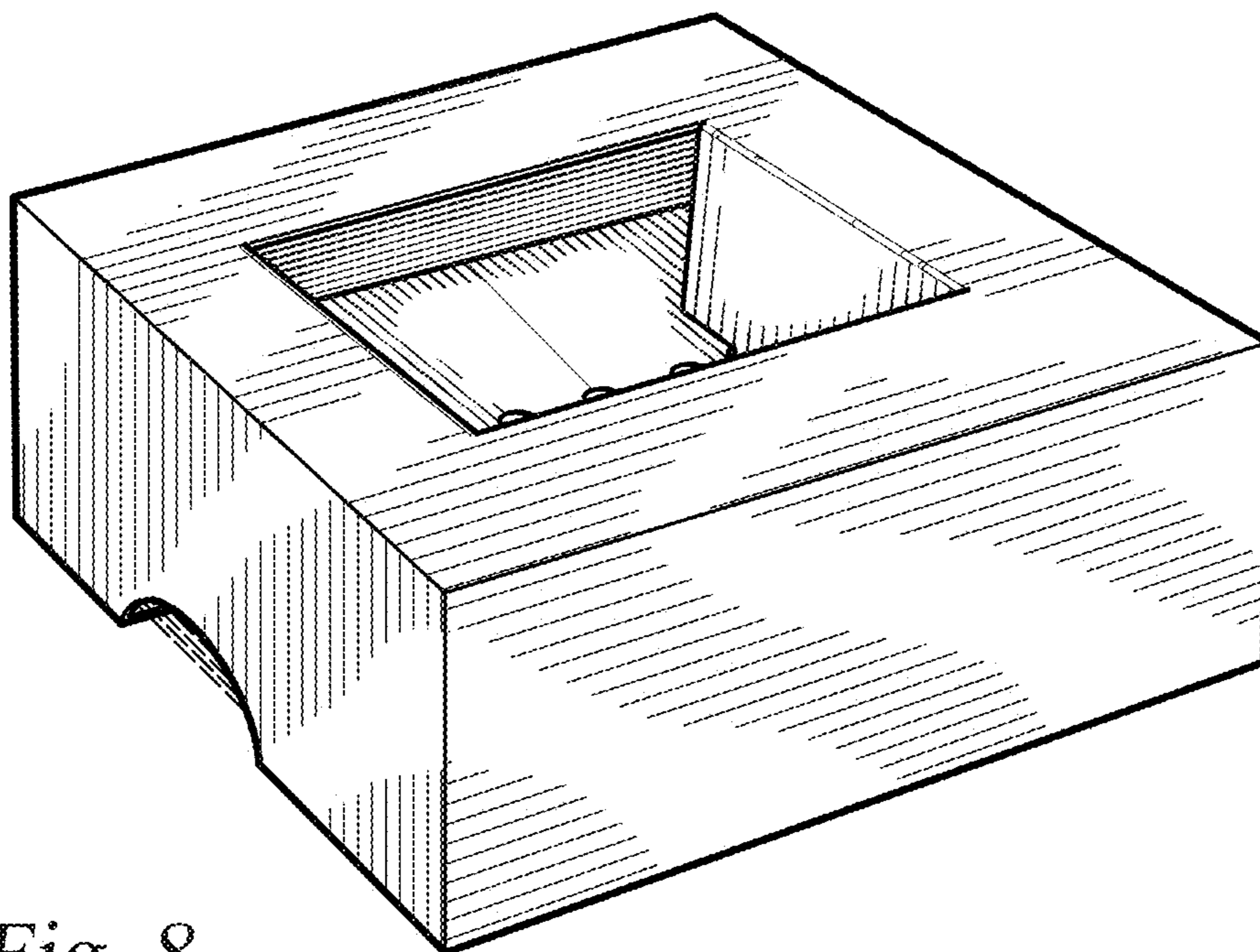
*Fig. 5*



*Fig. 6*



*Fig. 7*



*Fig. 8*

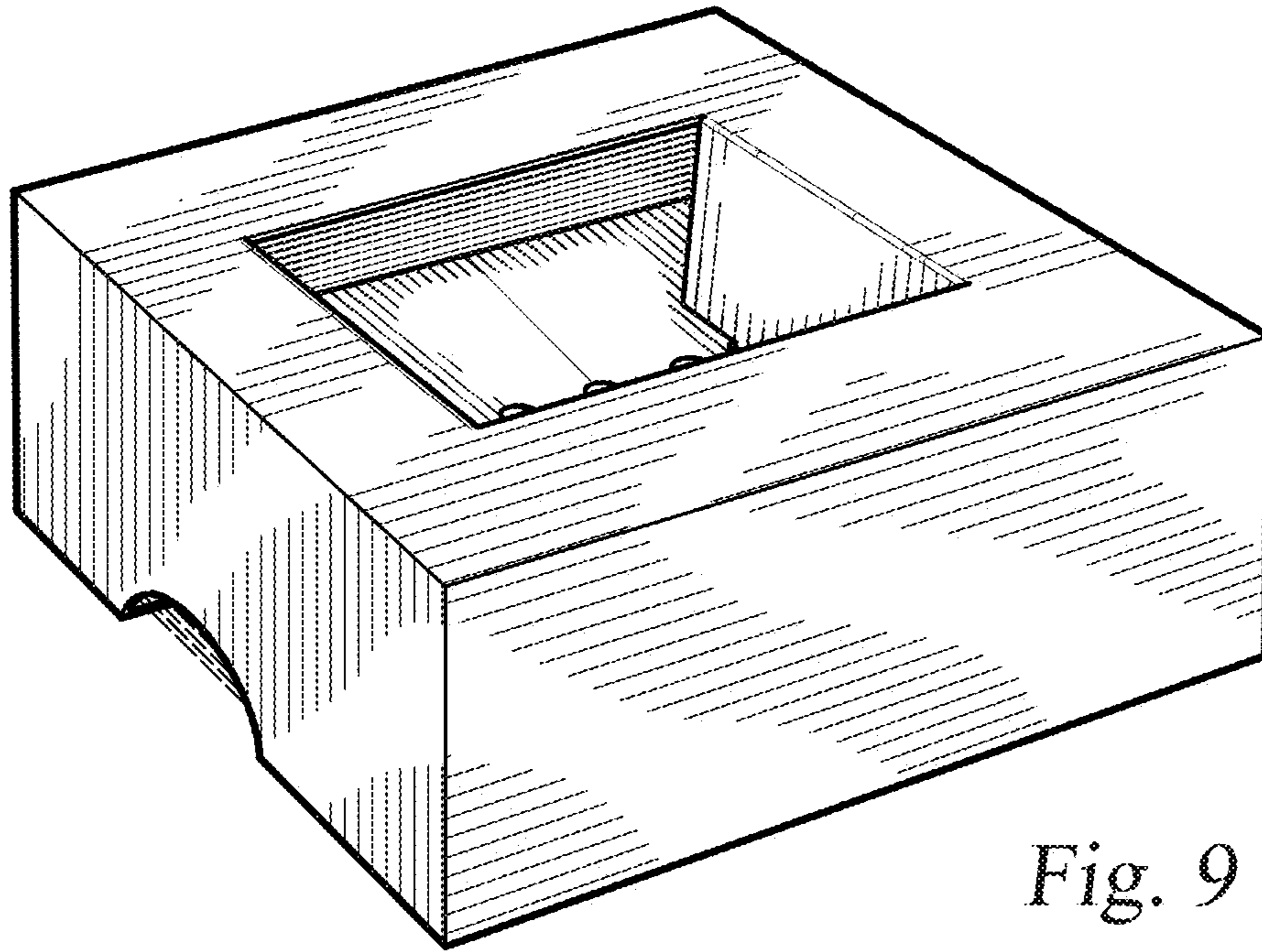


Fig. 9

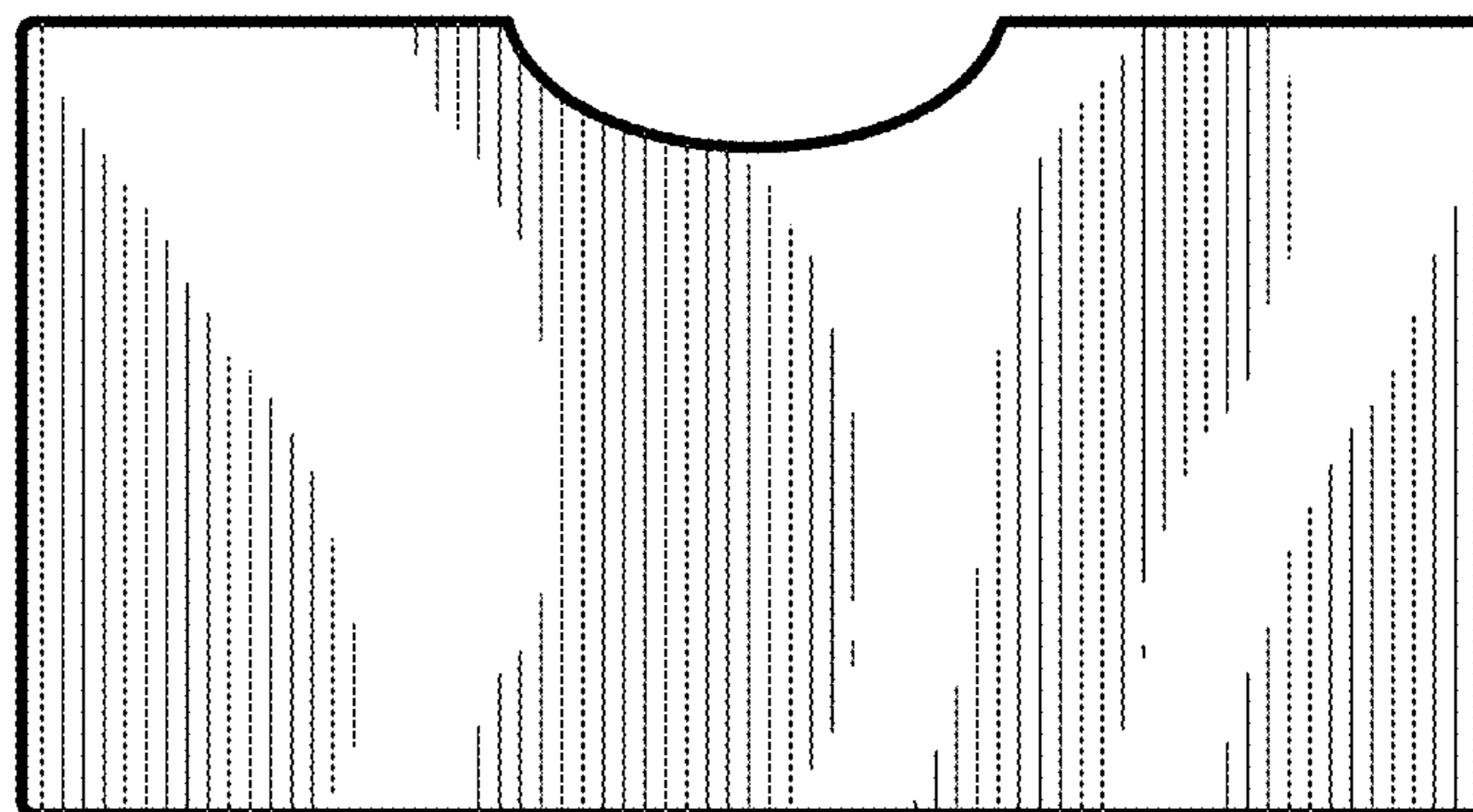
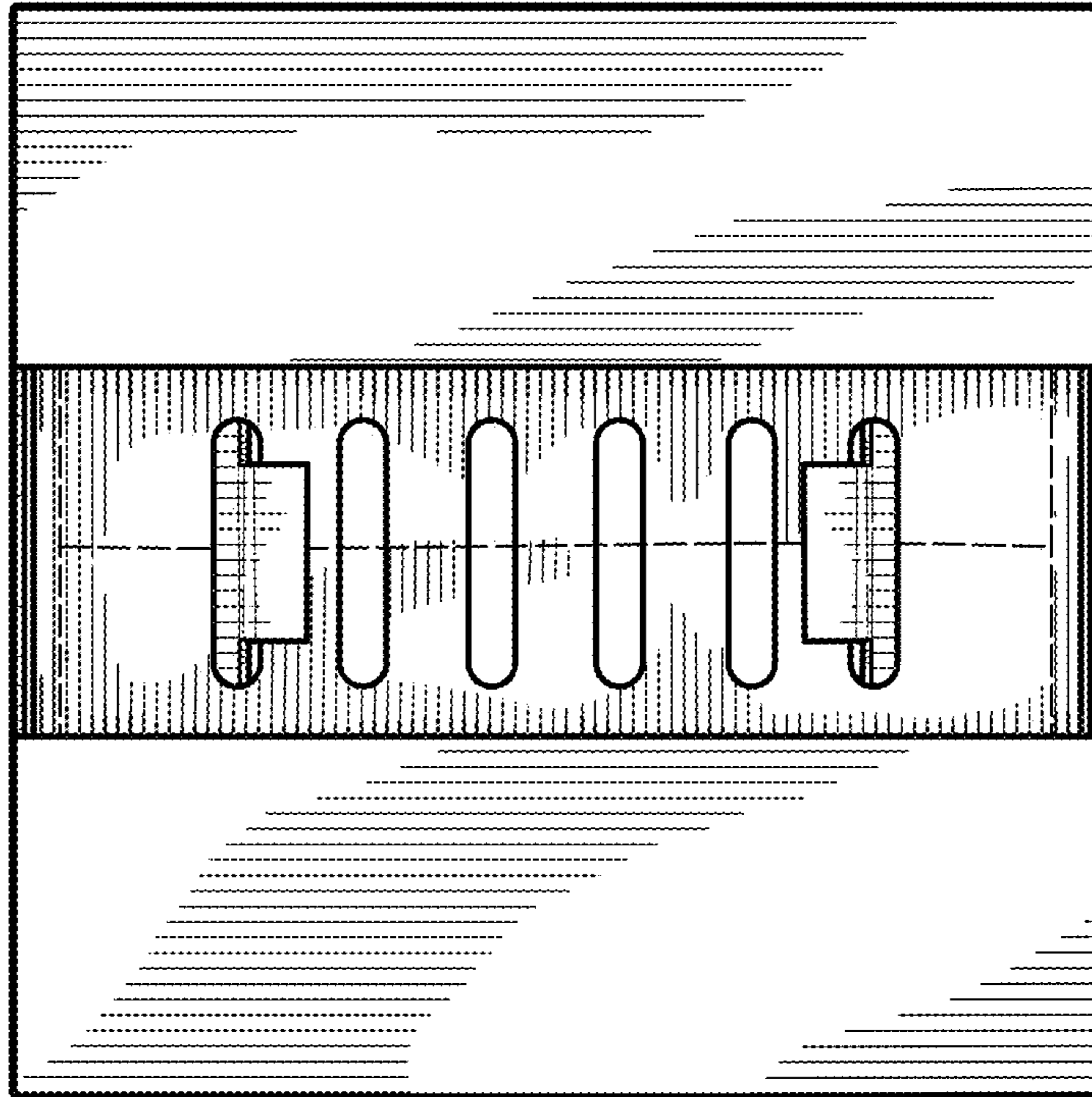
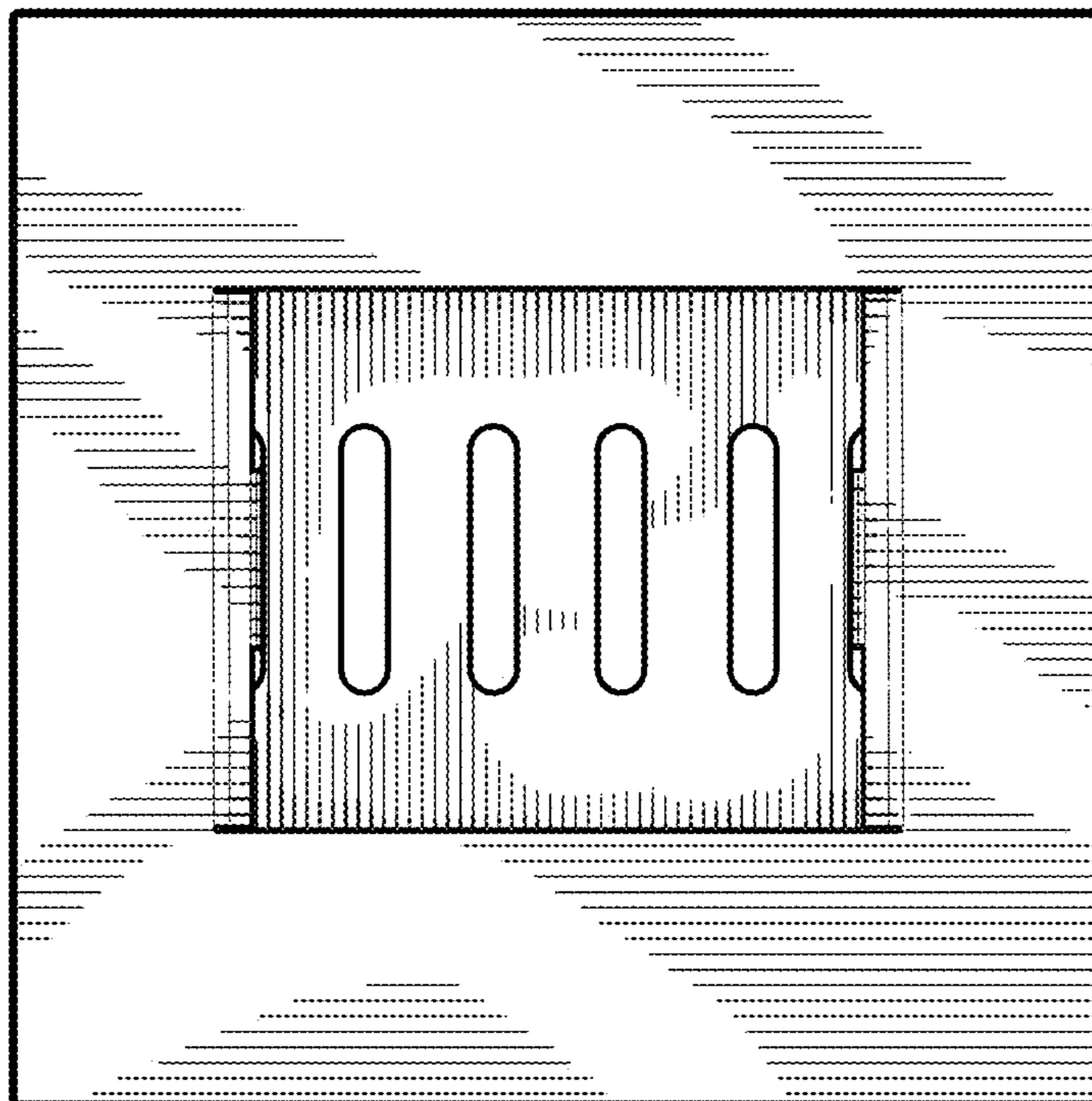


Fig. 10





*Fig. 11*



*Fig. 12*