



US00D918053S

(12) **United States Design Patent**
Gasmi

(10) **Patent No.:** **US D918,053 S**

(45) **Date of Patent:** **** *May 4, 2021**

(54) **PERFUME BOTTLE**

(71) Applicant: **PRESTIGE ET COLLECTIONS INTERNATIONAL**, Paris (FR)

(72) Inventor: **Chafik Gasmi**, Paris (FR)

(73) Assignee: **PRESTIGE ET COLLECTIONS INTERNATIONAL**, Paris (FR)

(*) Notice: This patent is subject to a terminal disclaimer.

(**) Term: **15 Years**

(21) Appl. No.: **29/682,587**

(22) Filed: **Mar. 6, 2019**

(30) **Foreign Application Priority Data**

Sep. 6, 2018 (EM) 005631835-0002

(51) **LOC (13) Cl.** **09-01**

(52) **U.S. Cl.**

USPC **D9/564**; D9/544; D9/694

(58) **Field of Classification Search**

USPC D9/503, 504, 529, 544, 549, 551, 552, D9/553, 555, 564, 572, 573, 574, 575, D9/571, 694, 434, 435, 444, 445, 452, D9/454, 500, 516, 537-540, 558, 566, D9/682, 686-689; D3/202; D7/511, 523, D7/605; D28/76, 77

CPC A45D 34/045; A61C 17/0205; A61C 1/0092; A61C 17/0202; A61C 17/028; B65D 23/108; B65D 51/32; A61H 13/005

See application file for complete search history.

(56) **References Cited**

U.S. PATENT DOCUMENTS

D76,142 S * 8/1928 Liddel D9/544

D76,291 S * 9/1928 D'Escayrac D9/544

(Continued)

FOREIGN PATENT DOCUMENTS

CN 304436424 * 1/2018

CN 304576303 * 4/2018

(Continued)

OTHER PUBLICATIONS

Lancôme to Launch Idôle—In The Slimmest Bottle, Jul. 8, 2019, Beauty Packaging, URL:https://www.beautypackaging.com/contents/view_breaking-news/2019-07-08/lancome-to-launch-idole---and-it-is-the-slimmest-bottle-ever/#:-:text=Lanc%C3%B4me%20has%20announced%20it%20will,design%20in%20the%20photos%20above.(Year:2019).*

(Continued)

Primary Examiner — Brett Miller

Assistant Examiner — Rani J Abdallah

(74) *Attorney, Agent, or Firm* — Edell, Shapiro & Finnan, LLC

(57) **CLAIM**

The ornamental design for a perfume bottle, as shown and described.

DESCRIPTION

FIG. 1 is a front, left perspective view from above of the perfume bottle showing the new design;

FIG. 2 is a rear, right perspective view from below of the perfume bottle of FIG. 1;

FIG. 3 is a front elevation view of the perfume bottle of FIG. 1;

FIG. 4 is a rear elevation view of the perfume bottle of FIG. 1;

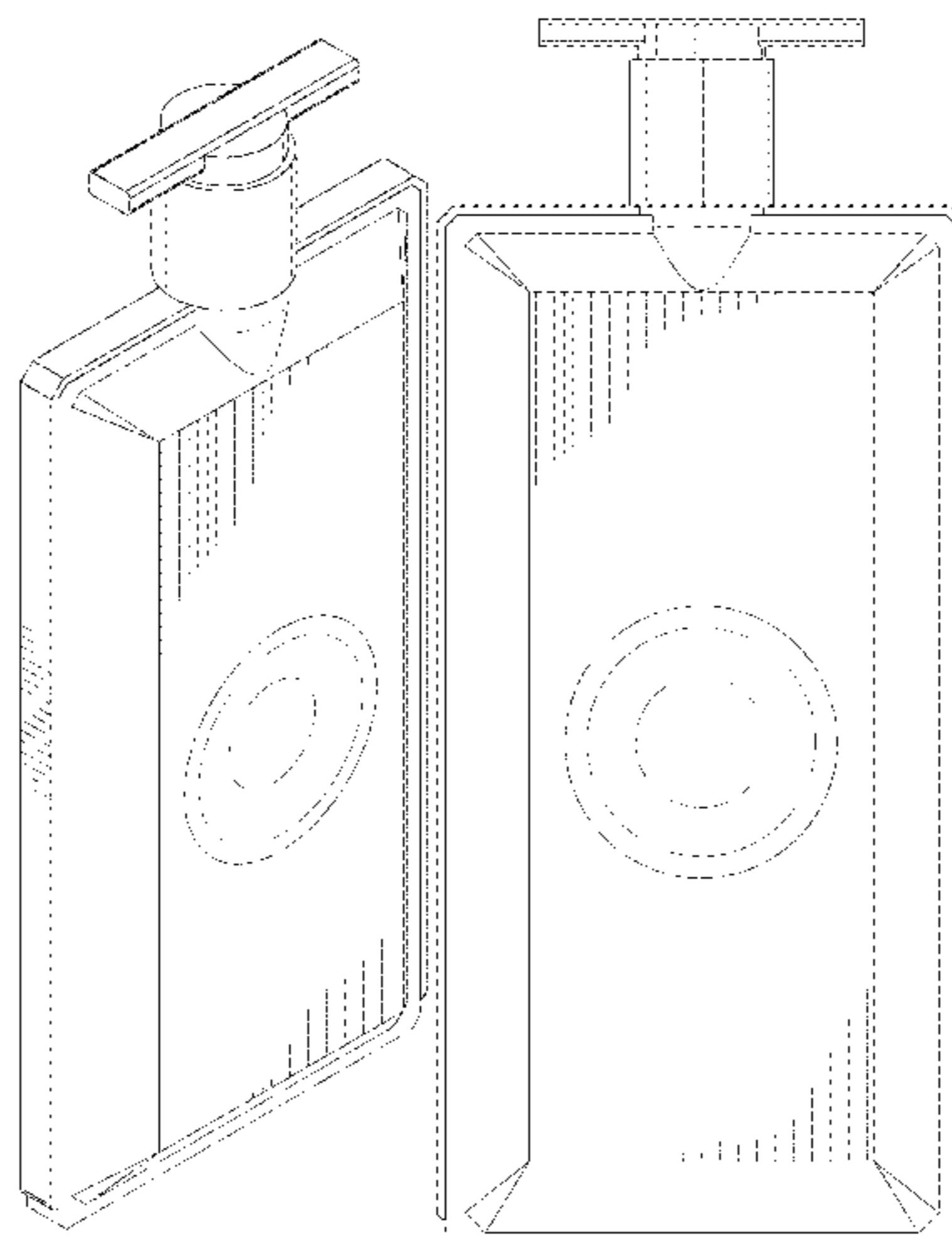
FIG. 5 is a left side elevation view of the perfume bottle of FIG. 1;

FIG. 6 is a right side elevation view of the perfume bottle of FIG. 1;

FIG. 7 is a top plan view of the perfume bottle of FIG. 1; and,

FIG. 8 is a bottom plan view of the perfume bottle of FIG. 1.

1 Claim, 6 Drawing Sheets



(56)

References Cited

U.S. PATENT DOCUMENTS

D91,392 S * 1/1934 Hale D9/573
 D100,050 S * 6/1936 Sheridan D9/573
 D141,775 S * 7/1945 Buckingham D9/544
 D143,657 S * 1/1946 Graham D9/573
 D213,041 S * 12/1968 Sthel D9/529
 D247,281 S * 2/1978 Grodin D9/564
 D257,954 S * 1/1981 Grodin D9/564
 D260,367 S * 8/1981 Grip D9/573
 D260,610 S * 9/1981 Grip D9/573
 D261,231 S * 10/1981 Grip D9/520
 D261,232 S * 10/1981 Grip D9/575
 D278,410 S * 4/1985 Matsubara D9/564
 D284,549 S * 7/1986 Vaussanvin D3/202
 D299,429 S * 1/1989 Dinand D9/529
 D321,478 S * 11/1991 Sassoli D9/575
 D329,383 S * 9/1992 Boucheron D9/529
 D329,605 S * 9/1992 Crawford D9/529
 D333,269 S * 2/1993 Albright D9/544
 D333,270 S * 2/1993 Albright D9/529
 D354,443 S * 1/1995 Granai D9/573
 D356,502 S * 3/1995 Poandl D9/520
 D381,275 S * 7/1997 Lecoule D9/572
 D430,802 S * 9/2000 Adachi D9/551

D431,005 S * 9/2000 Jentjen D9/573
 D431,190 S * 9/2000 Adachi D9/564
 D484,419 S * 12/2003 Potocki D9/574
 D486,072 S * 2/2004 Potocki D9/573
 D519,844 S * 5/2006 Mansau D9/573
 D533,459 S * 12/2006 Wagner D9/574
 D553,004 S * 10/2007 Krakoff D9/694
 D620,804 S * 8/2010 Bogert D9/573
 D632,969 S * 2/2011 Monteparo D9/544
 D639,667 S * 6/2011 Bogert D9/573
 D863,971 S * 10/2019 Monteparo D9/574

FOREIGN PATENT DOCUMENTS

CN 304709639 * 7/2018
 JP D1598539 * 2/2018

OTHER PUBLICATIONS

Chanel's New Limited-Edition Chanel Perfume Bottles are Red, Sep. 10, 2018, The Cut, URL: <https://www.thecut.com/2018/09/chanel-no-5-will-be-released-in-limited-edition-red-bottles.html> (Year: 2018).*

* cited by examiner

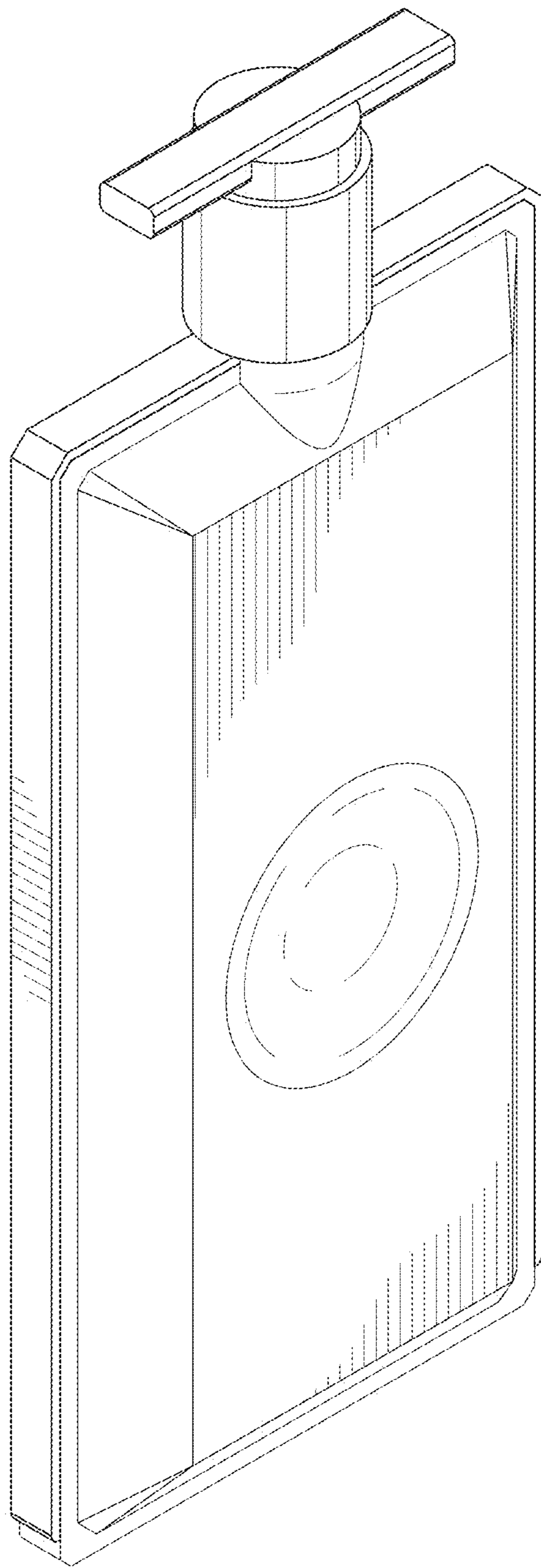


FIG.1

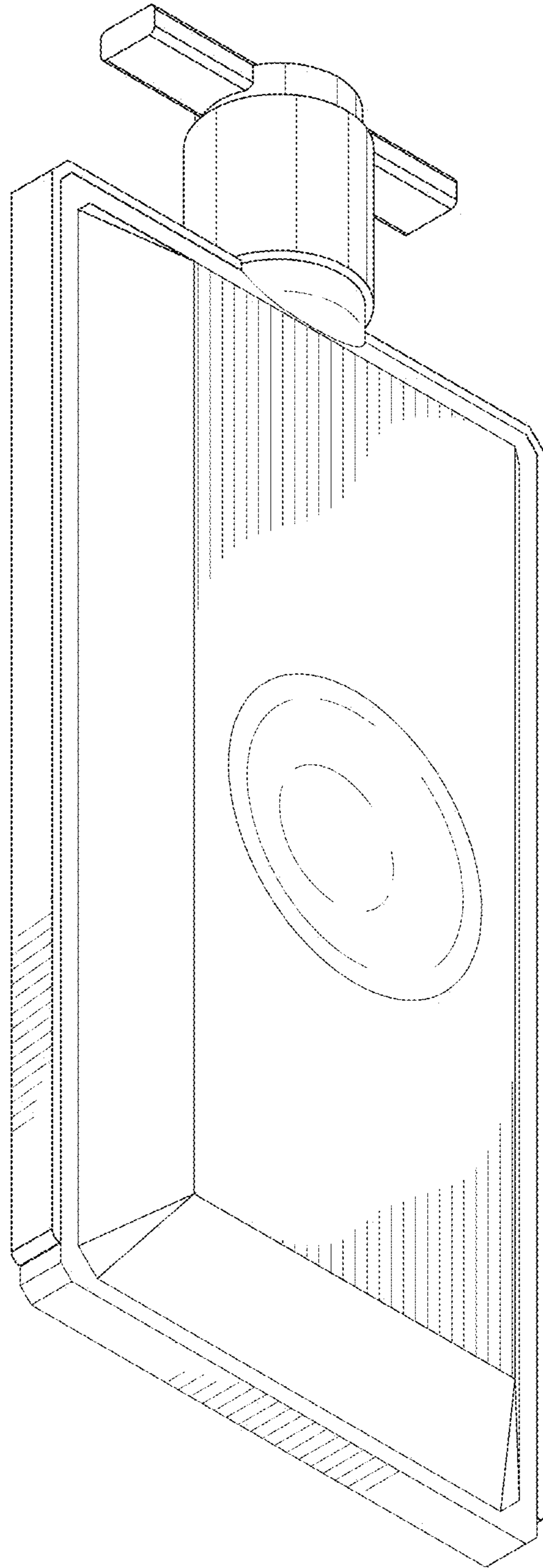


FIG.2

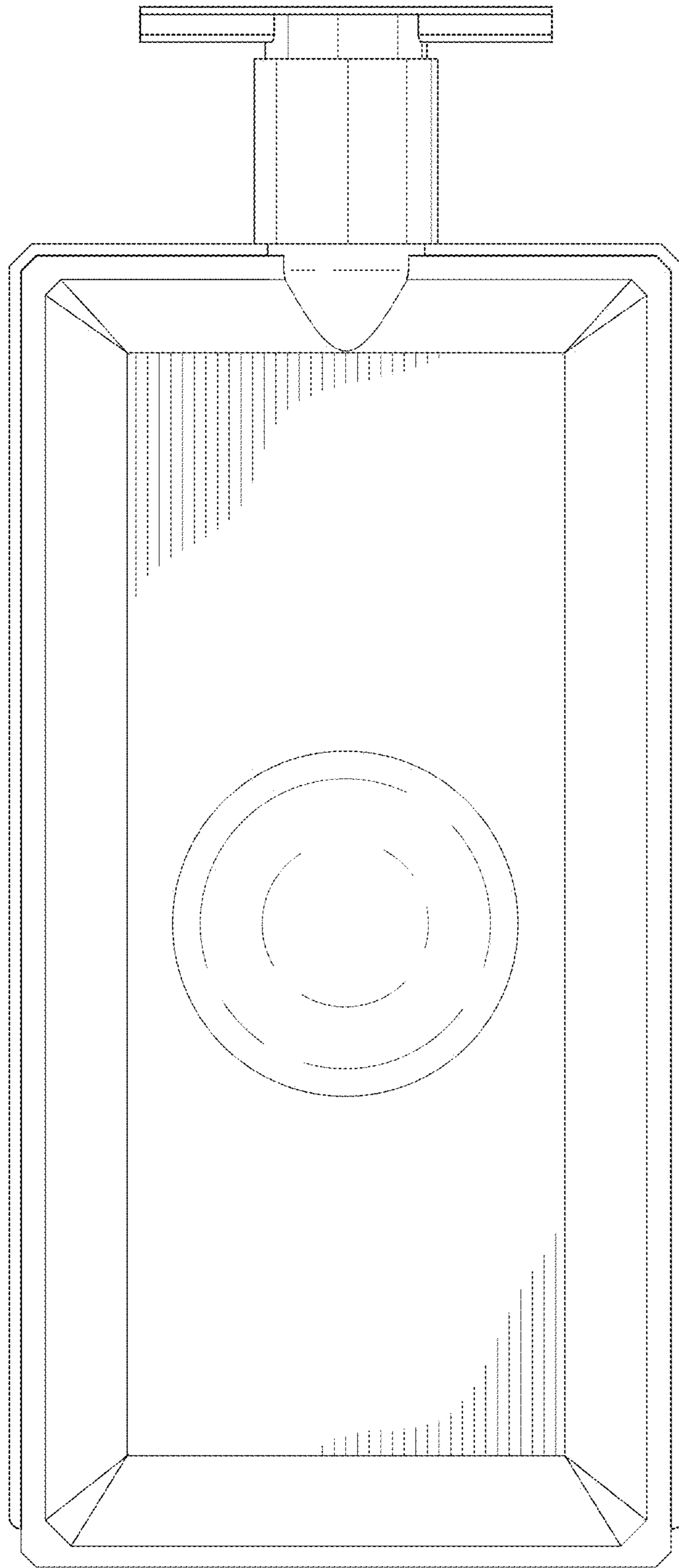


FIG.3

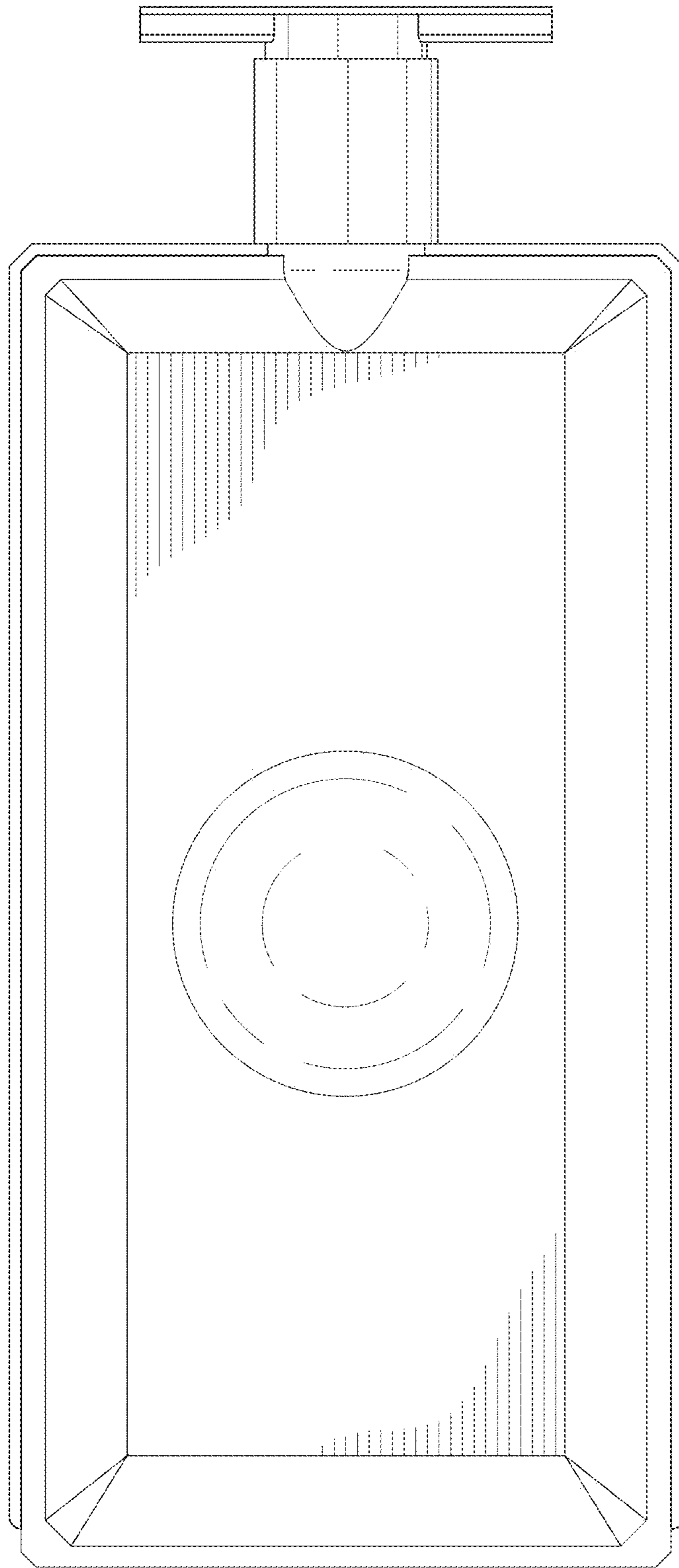


FIG.4

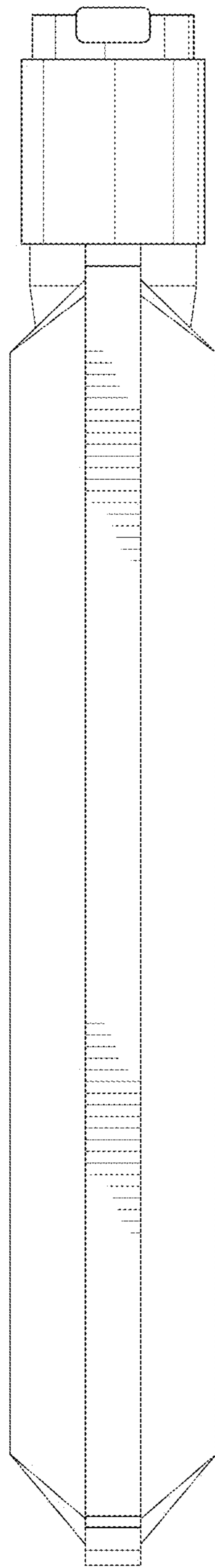


FIG.5

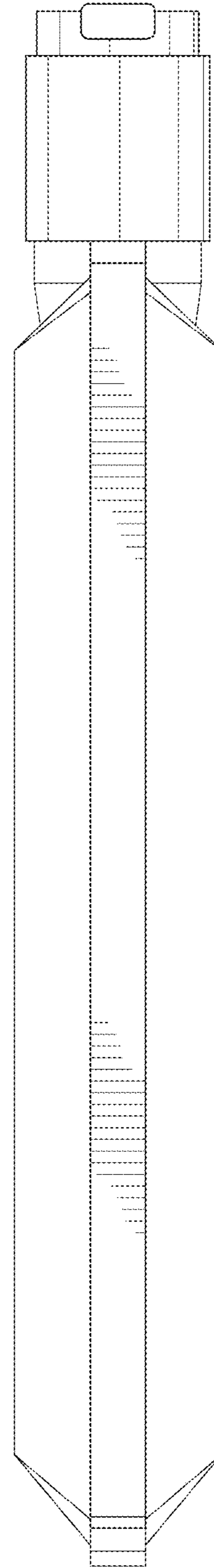


FIG.6

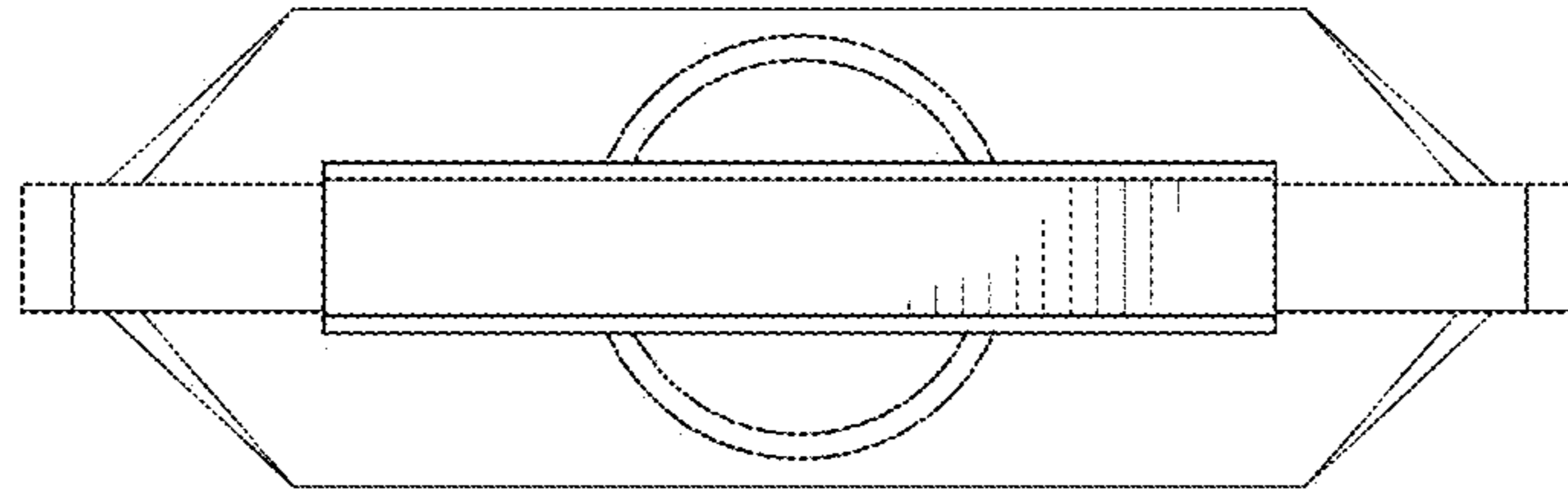


FIG. 7

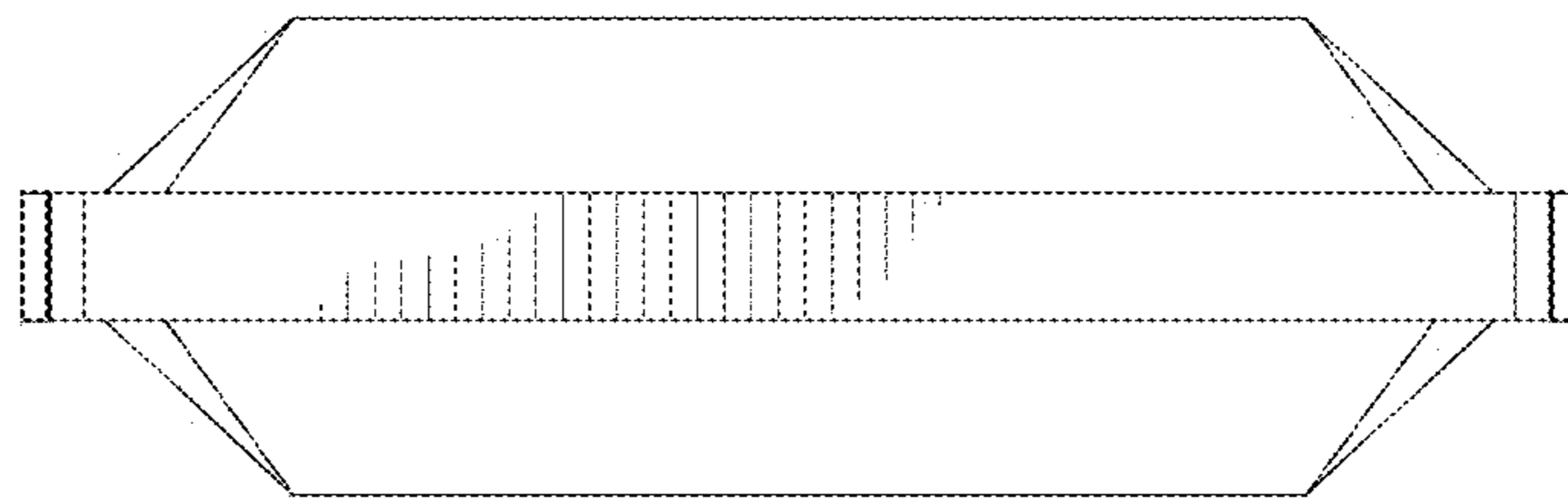


FIG. 8