



US00D918050S

(12) **United States Design Patent**  
**Smith et al.**

(10) **Patent No.:** **US D918,050 S**

(45) **Date of Patent:** **\*\* May 4, 2021**

(54) **CONTAINER**

(71) Applicants: **William Thomas Smith**, Fair Oaks, CA (US); **Cheryl Ann Smith**, Fair Oaks, CA (US)

(72) Inventors: **William Thomas Smith**, Fair Oaks, CA (US); **Cheryl Ann Smith**, Fair Oaks, CA (US)

(73) Assignee: **ALL PLASTIC, INC.**, Rancho Cordova, CA (US)

(\*\*) Term: **15 Years**

(21) Appl. No.: **29/669,023**

(22) Filed: **Nov. 5, 2018**

(51) **LOC (13) Cl.** ..... **09-01**

(52) **U.S. Cl.**  
USPC ..... **D9/549**; D9/414; D9/428; D9/504

(58) **Field of Classification Search**  
USPC ..... D9/414, 418, 422, 423, 424, 428, 516, D9/531, 540, 548, 549, 721, 500-504, D9/558, 573-575; D7/507-511, 523; D6/677; D3/203.1, 203.5

(Continued)

(56) **References Cited**

**U.S. PATENT DOCUMENTS**

D272,595 S 2/1984 Chase et al.  
D400,005 S \* 10/1998 Wolff ..... D9/418  
(Continued)

**OTHER PUBLICATIONS**

Locking Ring Bud Pod. [online] Retrieved 3/16/20 from URL: <https://www.budbardisplays.conn/product/pods/locking-ring-bud-pod>.

(Continued)

*Primary Examiner* — Brett Miller

*Assistant Examiner* — Rani J Abdallah

(74) *Attorney, Agent, or Firm* — Ballard Spahr LLP

(57) **CLAIM**

We claim the ornamental design for a container, as shown and described.

**DESCRIPTION**

FIG. 1 is a perspective view of our design of a container according to a first embodiment;

FIG. 2 is a top plan view of the container shown in FIG. 1; FIG. 3 is a bottom plan view of the container shown in FIG. 1;

FIG. 4 is a rear view of the container shown in FIG. 1; FIG. 5 is a right side view of the container shown in FIG. 1;

FIG. 6 is a front view of the container shown in FIG. 1; FIG. 7 is a left side view of the container shown in FIG. 1;

FIG. 8 is an exploded view of the container shown in FIG. 1;

FIG. 9 is a perspective view of our design of a container according to a second embodiment;

FIG. 10 is a top plan view of the container shown in FIG. 9; FIG. 11 is a bottom plan view of the container shown in FIG. 9;

FIG. 12 is a rear view of the container shown in FIG. 9; FIG. 13 is a right side view of the container shown in FIG. 9;

FIG. 14 is a front view of the container shown in FIG. 9; FIG. 15 is a left side view of the container shown in FIG. 9;

FIG. 16 is an exploded view of the container shown in FIG. 9;

FIG. 17 is a perspective view of our design of a container according to a third embodiment;

FIG. 18 is a top plan view of the container shown in FIG. 17; FIG. 19 is a bottom plan view of the container shown in FIG. 17;

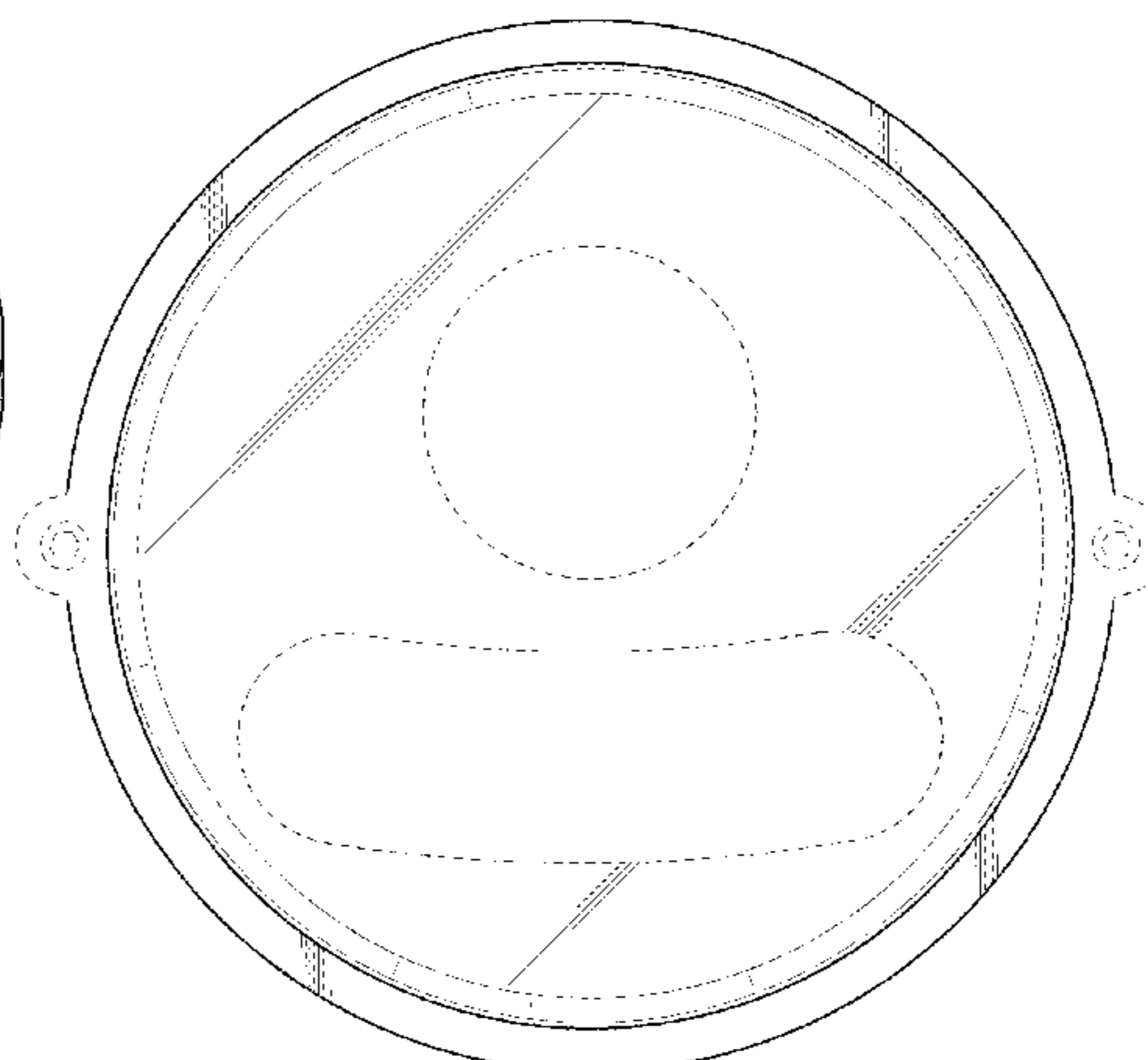
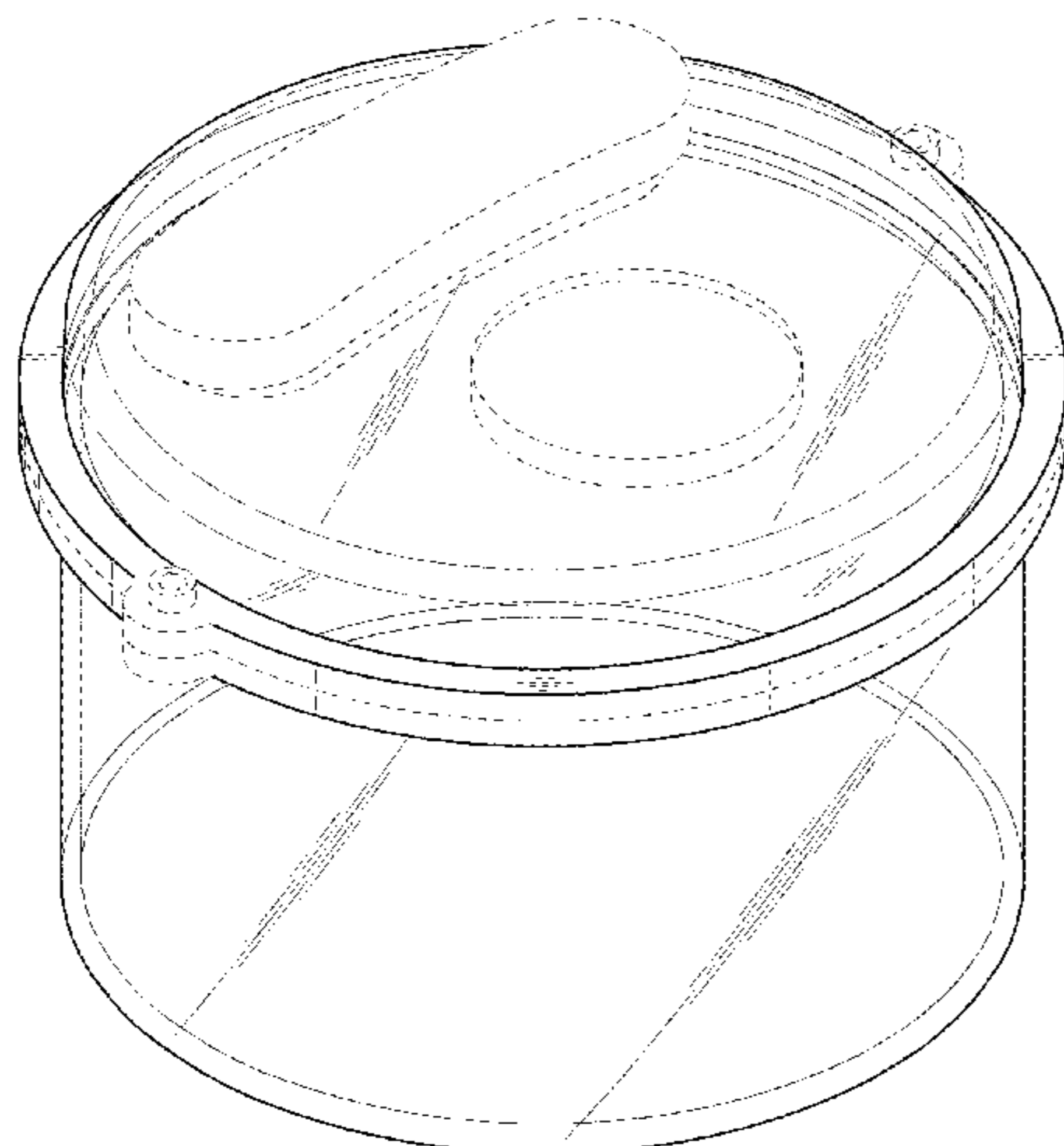
FIG. 20 is a rear view of the container shown in FIG. 17; FIG. 21 is a right side view of the container shown in FIG. 17;

FIG. 22 is a front view of the container shown in FIG. 17; FIG. 23 is a left side view of the container shown in FIG. 17;

and, FIG. 24 is an exploded view of the container shown in FIG. 17.

The broken lines depict portions of the container that form no part of the claimed design.

**1 Claim, 18 Drawing Sheets**



- (58) **Field of Classification Search**  
 CPC ..... B65D 25/54; B65D 25/106; B65D 25/22;  
 B65D 51/24; B65D 51/245; A47F 7/286  
 See application file for complete search history.

(56) **References Cited**

U.S. PATENT DOCUMENTS

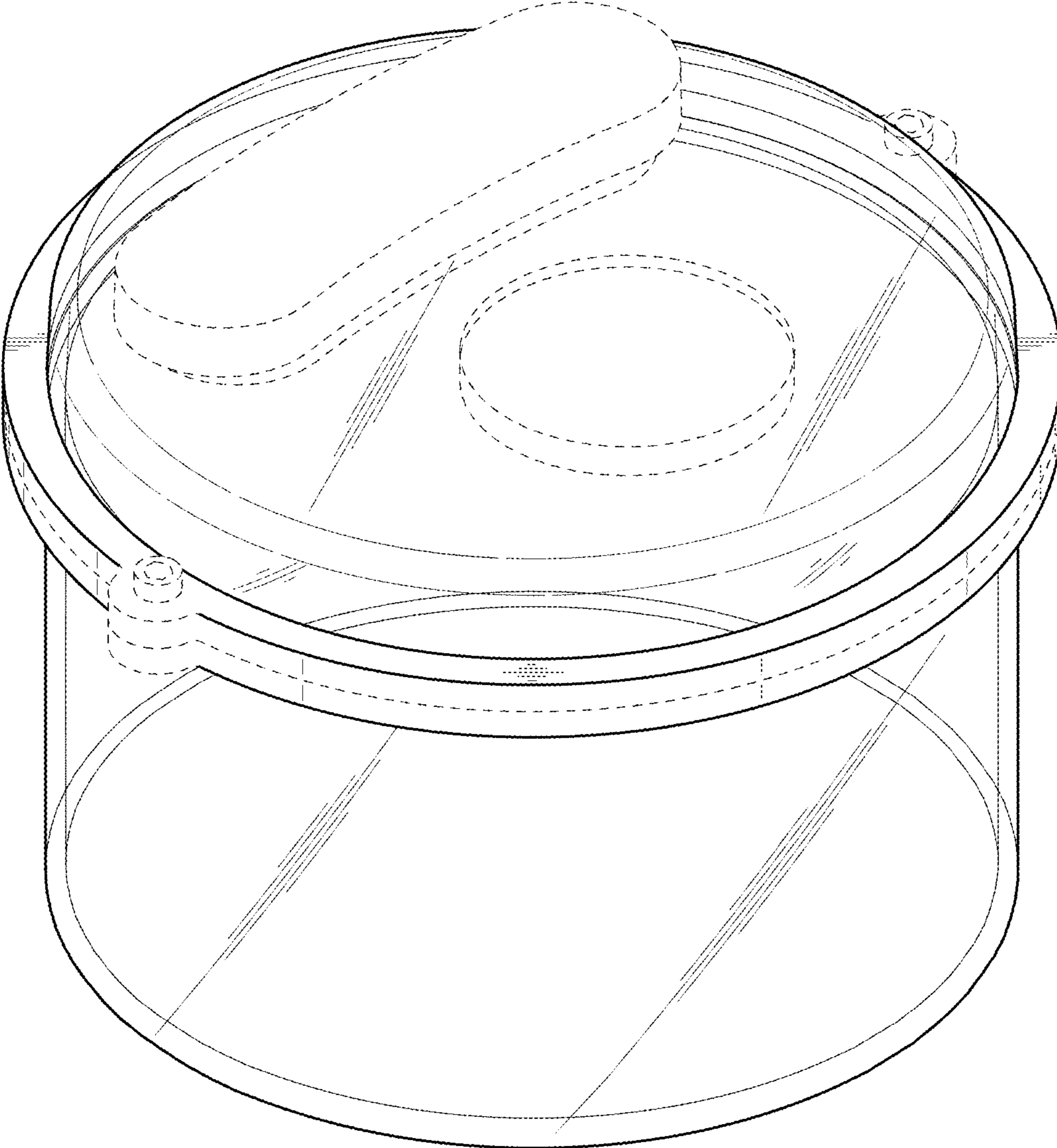
D475,620	S	6/2003	Chen et al.	
D590,706	S	4/2009	Doliwa et al.	
D591,148	S	4/2009	Parikh et al.	
D600,111	S	9/2009	Gerulski et al.	
D696,948	S *	1/2014	Kim .....	D9/504
D703,055	S *	4/2014	Park .....	D9/504
D730,726	S	6/2015	Astorga	
D765,389	S *	9/2016	Martin .....	D3/203.5
D778,718	S	2/2017	Smith et al.	
D794,944	S *	8/2017	Martin .....	D3/203.5
D795,057	S	8/2017	Segal	
D812,939	S	3/2018	Modlin	
D814,831	S *	4/2018	Modlin .....	D6/677
D848,256	S	5/2019	Tempel et al.	
D849,526	S	5/2019	Sanders et al.	
D853,240	S *	7/2019	Steel .....	D9/549
D855,449	S *	8/2019	Smith .....	D9/414
10,384,834	B2	8/2019	Smith et al.	
D859,894	S	9/2019	Smith et al.	
D863,053	S *	10/2019	Smith .....	D9/414
D876,945	S *	3/2020	Smith .....	D9/414
D887,843	S *	6/2020	Smith .....	D9/454
D891,253	S *	7/2020	Smith .....	D9/504
2016/0318672	A1	11/2016	Smith et al.	
2017/0190482	A1	7/2017	Smith et al.	
2018/0362215	A1 *	12/2018	Whetsei .....	B65D 25/54
2020/0113353	A1 *	4/2020	Bigioni .....	A47F 7/286

OTHER PUBLICATIONS

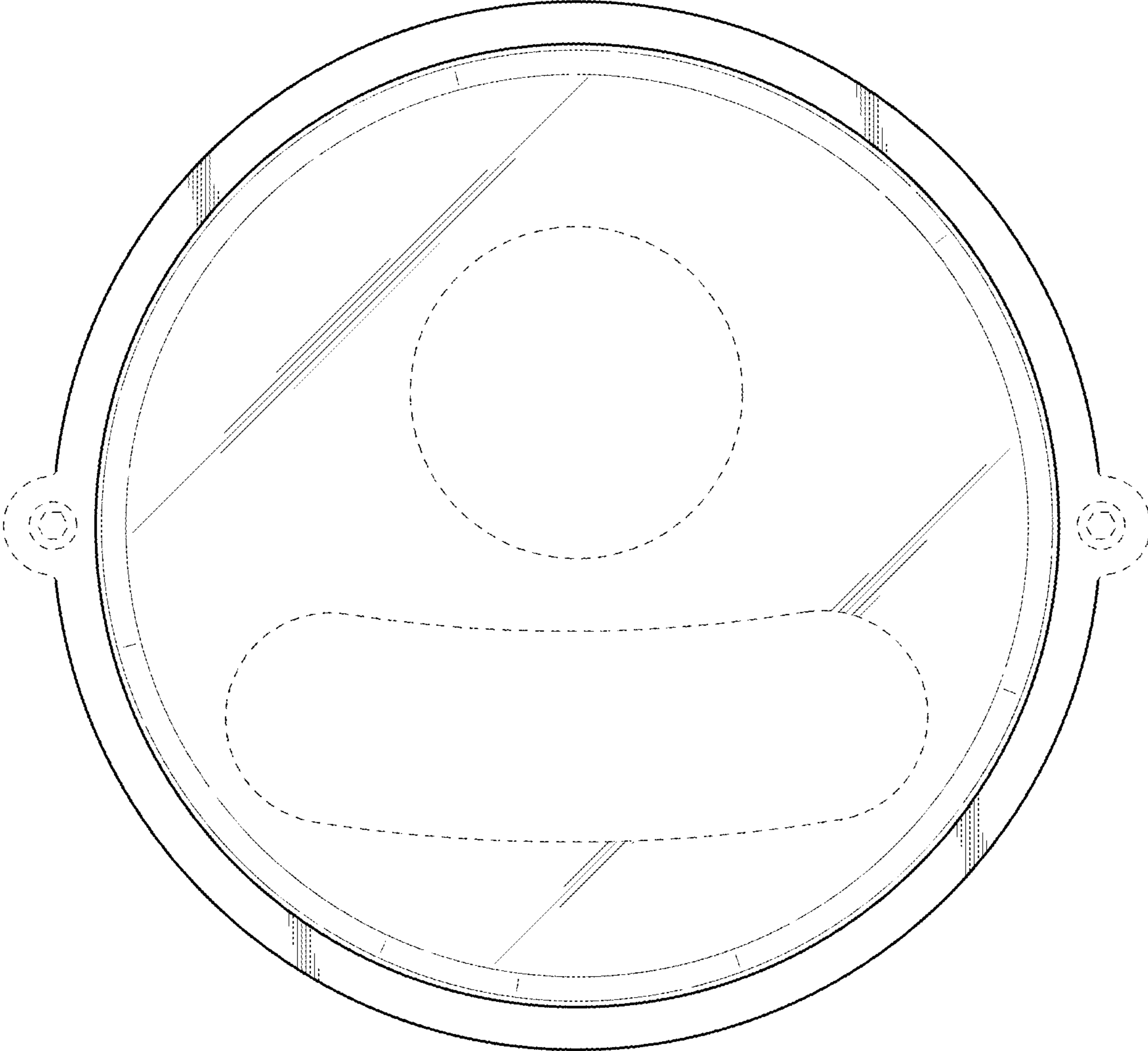
Ex Parte Quayle Action was issued on Mar. 19, 2020 by the USPTO for U.S. Appl. No. 29/669,024, filed Nov. 5, 2018 (Inventor—William Thomas Smith ) (5 Pages).

Magazine AD for Bud Bar Displays™. 3rd Annual Marijuana Business Conference & Expo, Las Vegas, NV, Nov. 1, 2014. 3 pages.  
 Magazine AD for Bud Bar Displays™. Marijuana Business Magazine, vol. 2, Issue 4, Jul. 1, 2015. 2 pages.  
 Magazine AD for Bud Bar Displays™. Marijuana Venture Magazine, Jun. 1, 2017. 3 pages.  
 Magazine AD for Bud Bar Displays™. Marijuana Venture Magazine, Nov. 1, 2017. 3 pages.  
 Magazine AD for Bud Bar Displays™. Marijuana Venture Magazine, vol. 1, Issue 7, Sep. 1, 2014. 3 pages.  
 Magazine AD for Bud Bar Displays™. The News Tribune, Aug. 15, 2014. 2 pages.  
 Pictures of Bud Bar Displays™ booth at the KushCon Convention, which features the Epods. Denver, Colorado, Dec. 1, 2010. 3 pages.  
 Website photo. cannabisaroma cannapod. www.budbardisplays.com. Published Jan. 23, 2016.  
 Website photo. BadBar. www.budbardisplays.com. Published Jan. 23, 2016.  
 Website photo. Aroma epod. www.budbardisplays.com. Published Jan. 23, 2016.  
 Website photo. Highlight display. www.budbardisplays.com. Published Jan. 23, 2016.  
 Website photo. 3 Tier Lighted Display. www.budbardisplays.com. Published Jul. 9, 2017.  
 Website photo. Bud bar cabinet. www.budbardisplays.com. Published Jul. 9, 2017.  
 Website photo. Canna pod. www.budbardisplays.com. Published Jul. 9, 2017.  
 Website photo. Eco Pod Cabinet. www.budbardisplays.com. Published Jul. 9, 2017.  
 Website photo. e-Pod. www.budbardisplays.com. Published Jul. 9, 2017.  
 Website photo. Sample pod package. www.budbardisplays.com. Published Jul. 9, 2017.  
 Website photo. Security seals for pods. www.budbardisplays.com. Published Jul. 9, 2017.

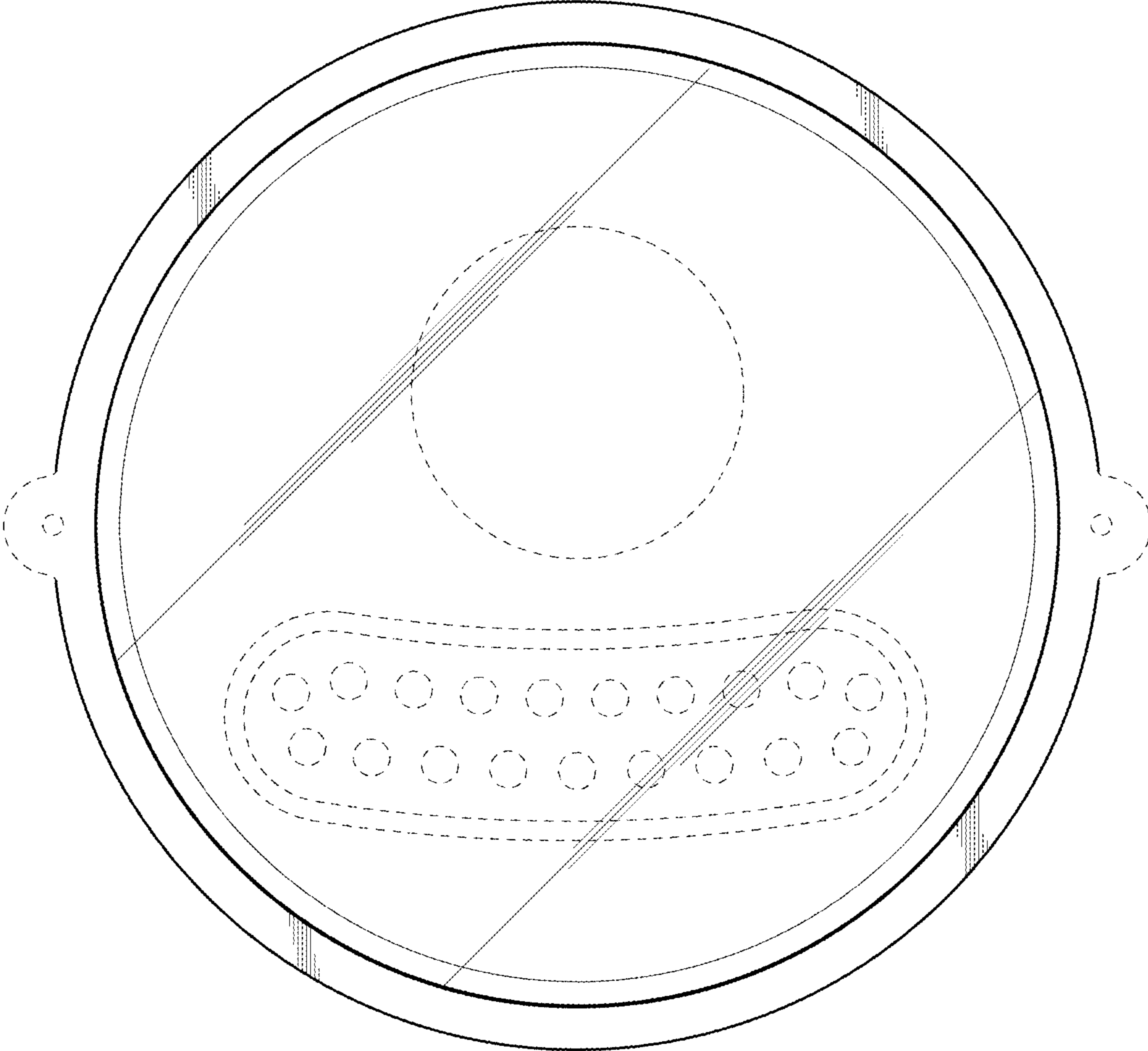
\* cited by examiner



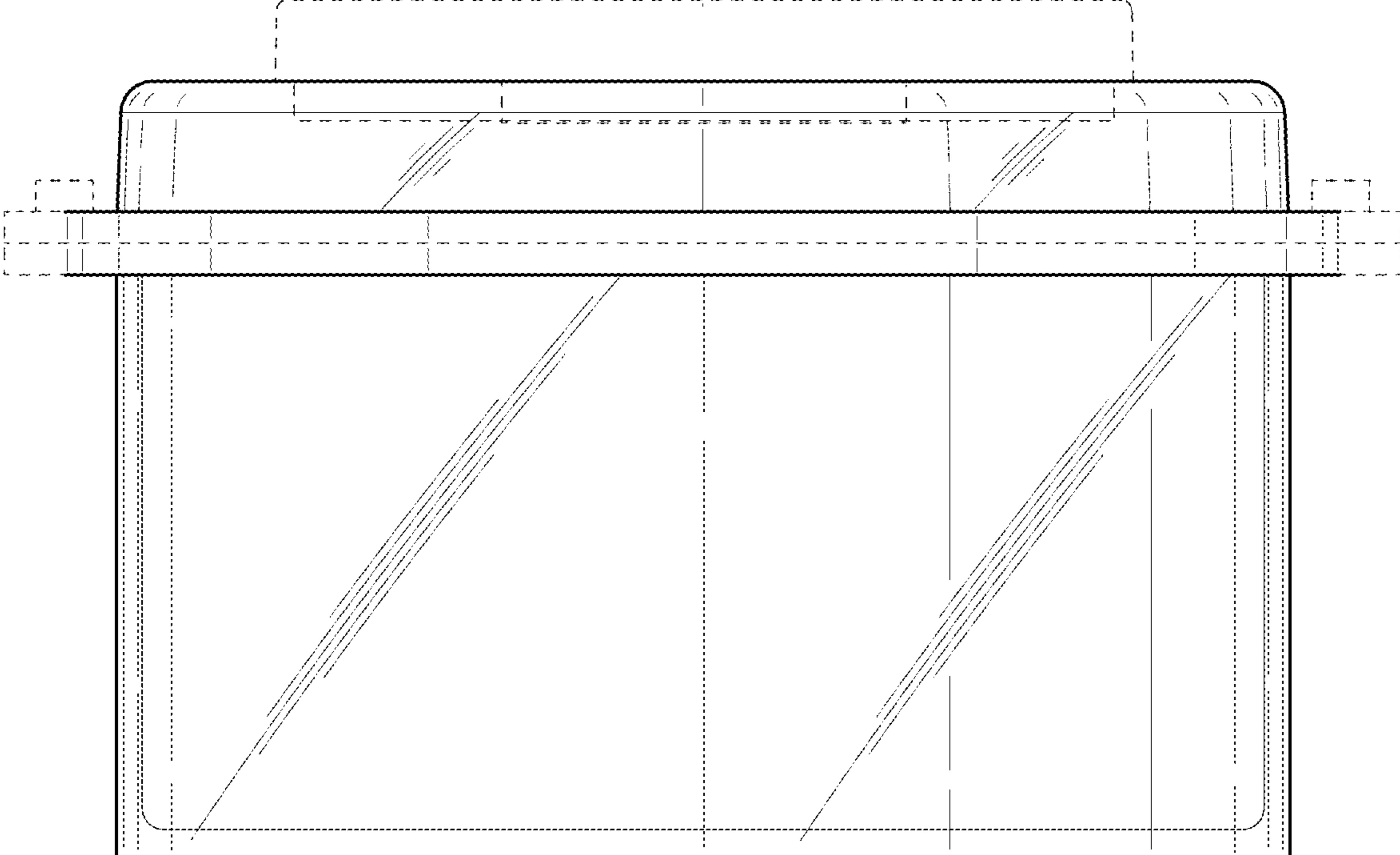
**FIG. 1**



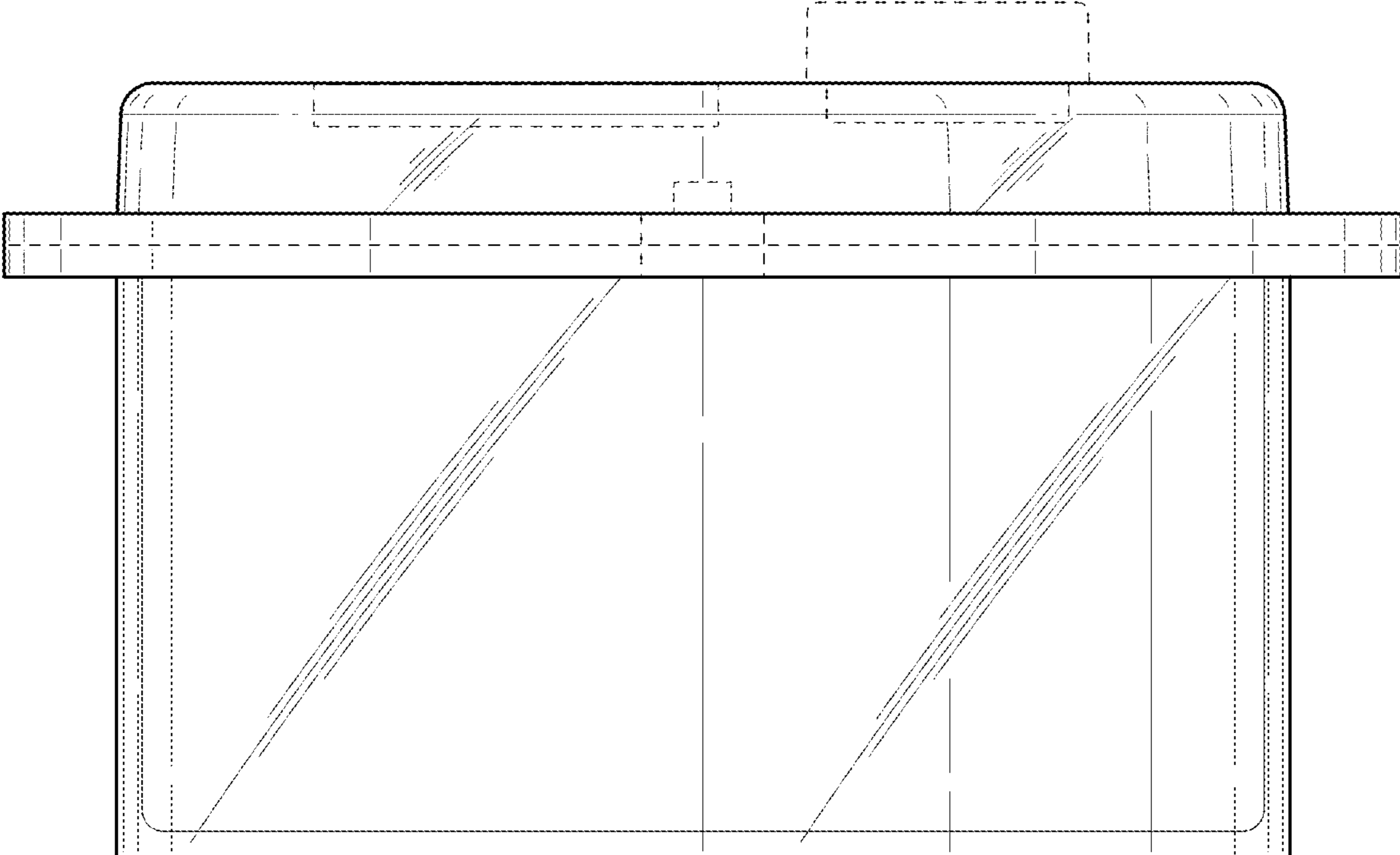
**FIG. 2**



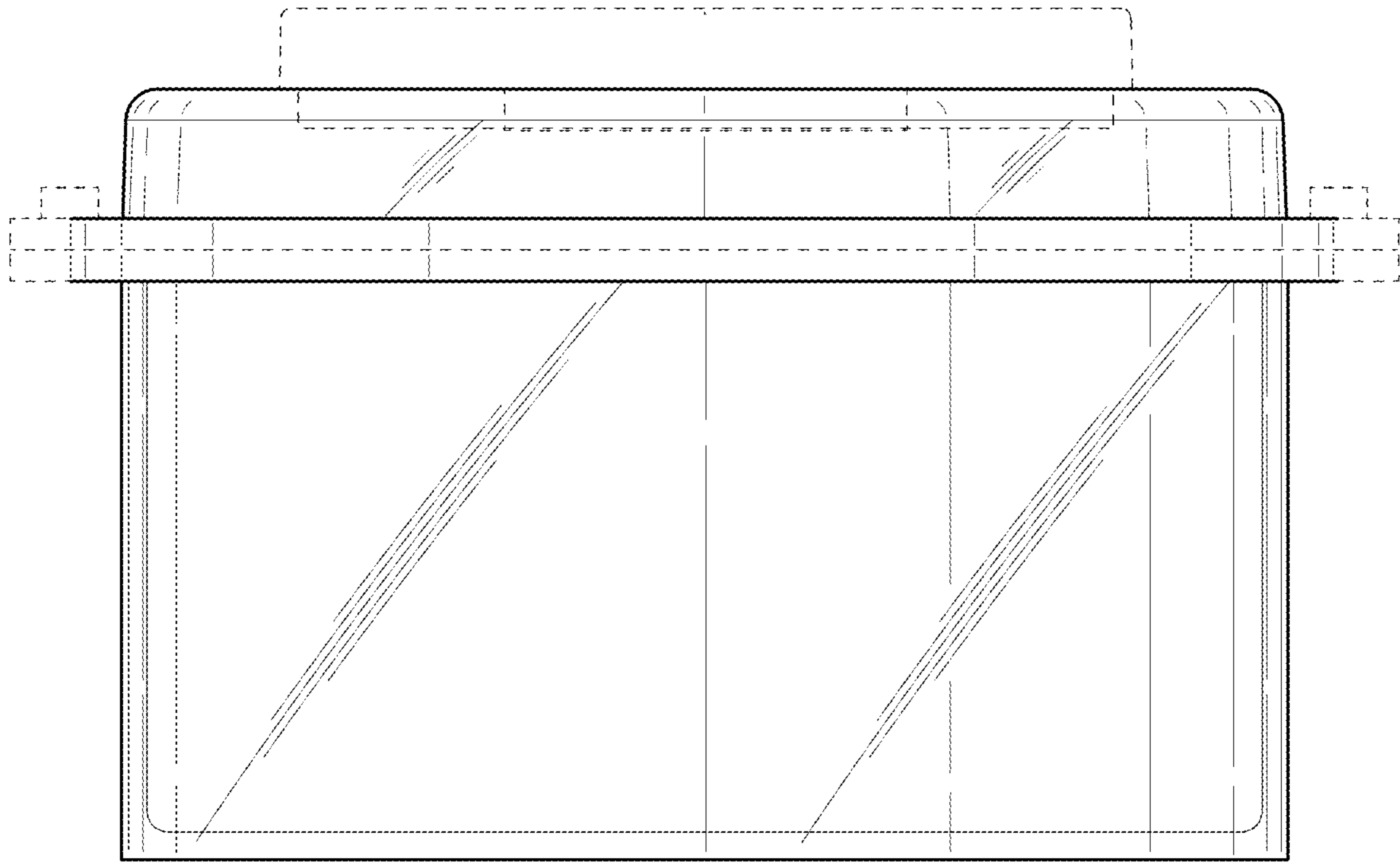
**FIG. 3**



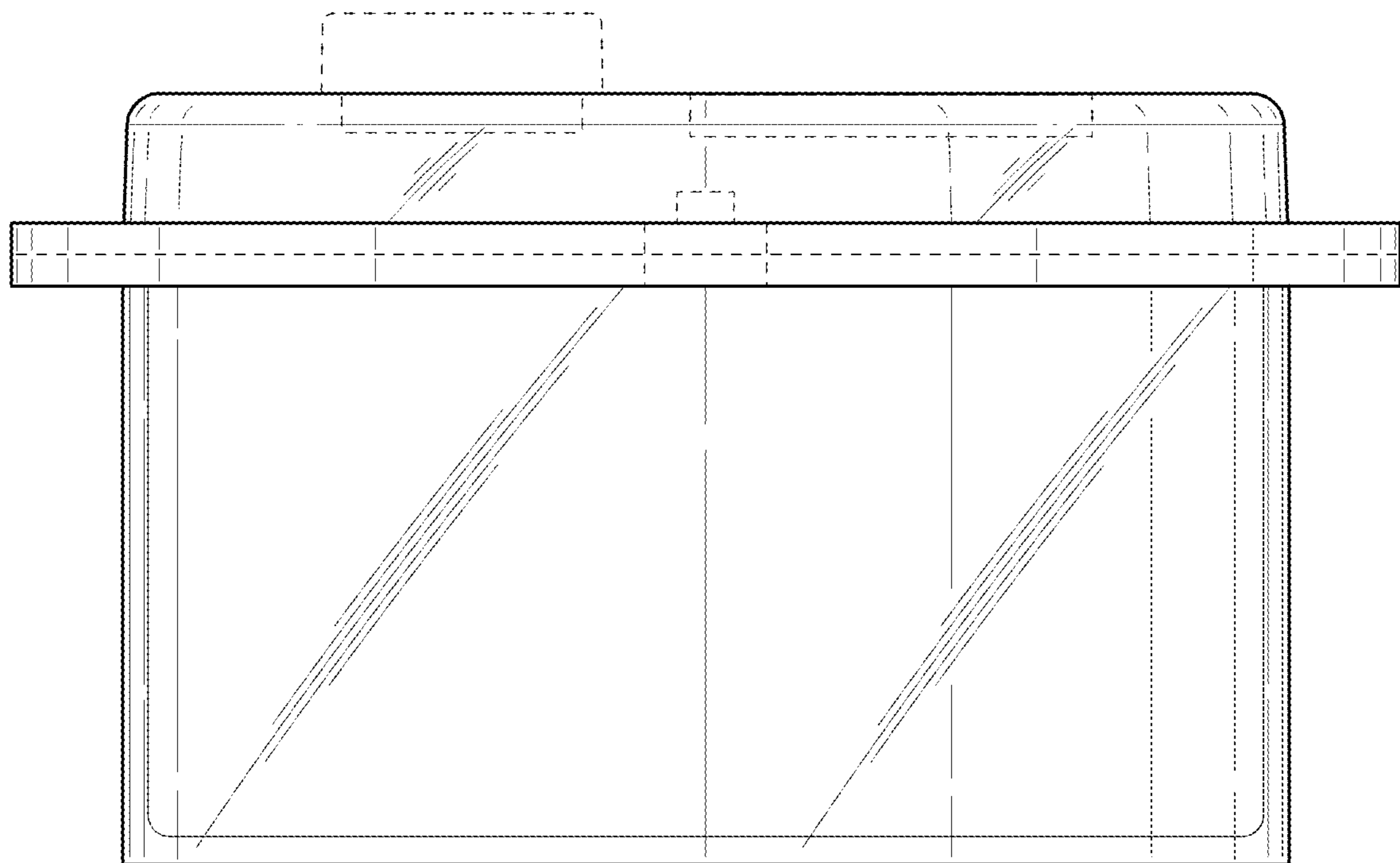
**FIG. 4**



**FIG. 5**



**FIG. 6**



**FIG. 7**

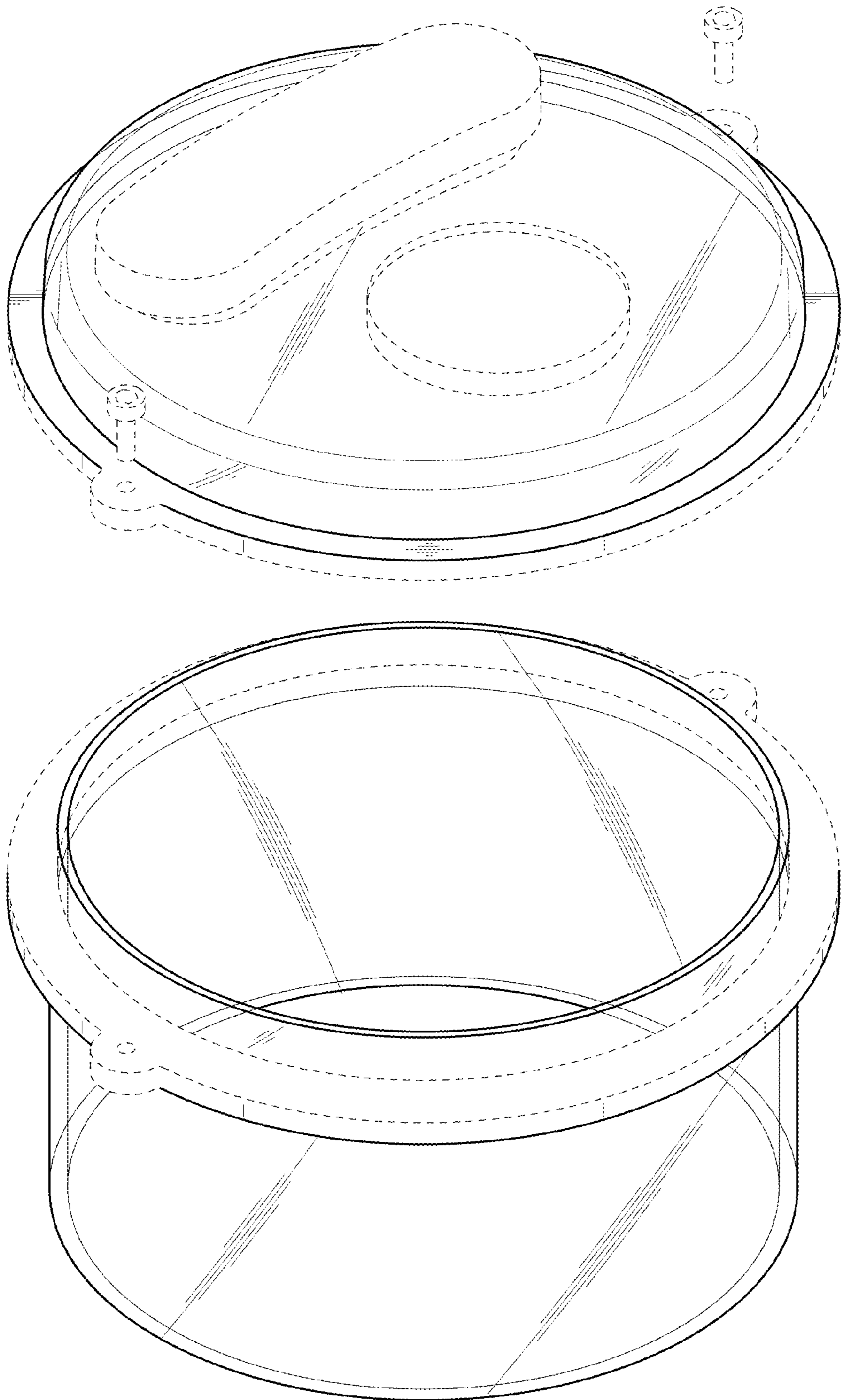
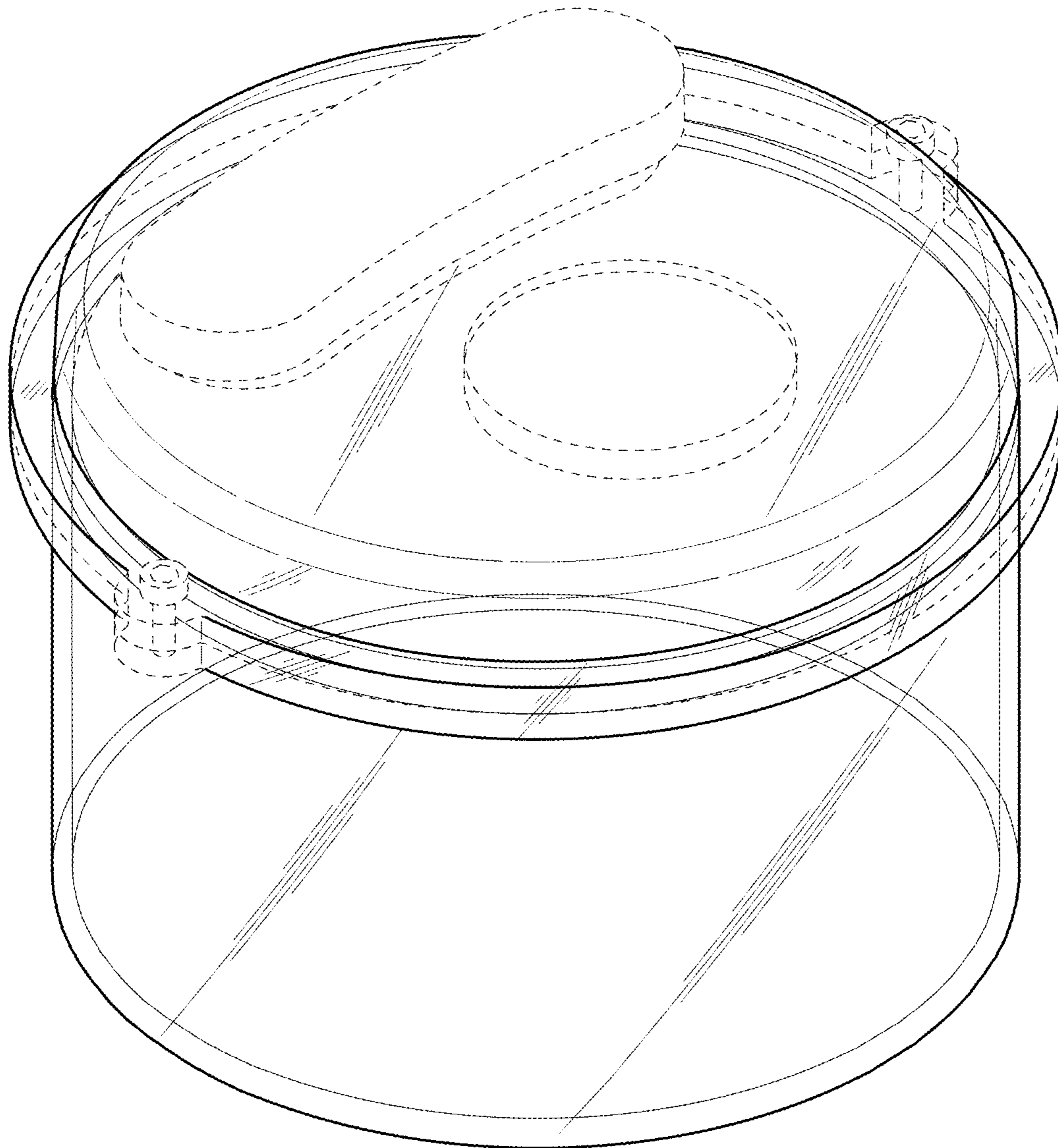
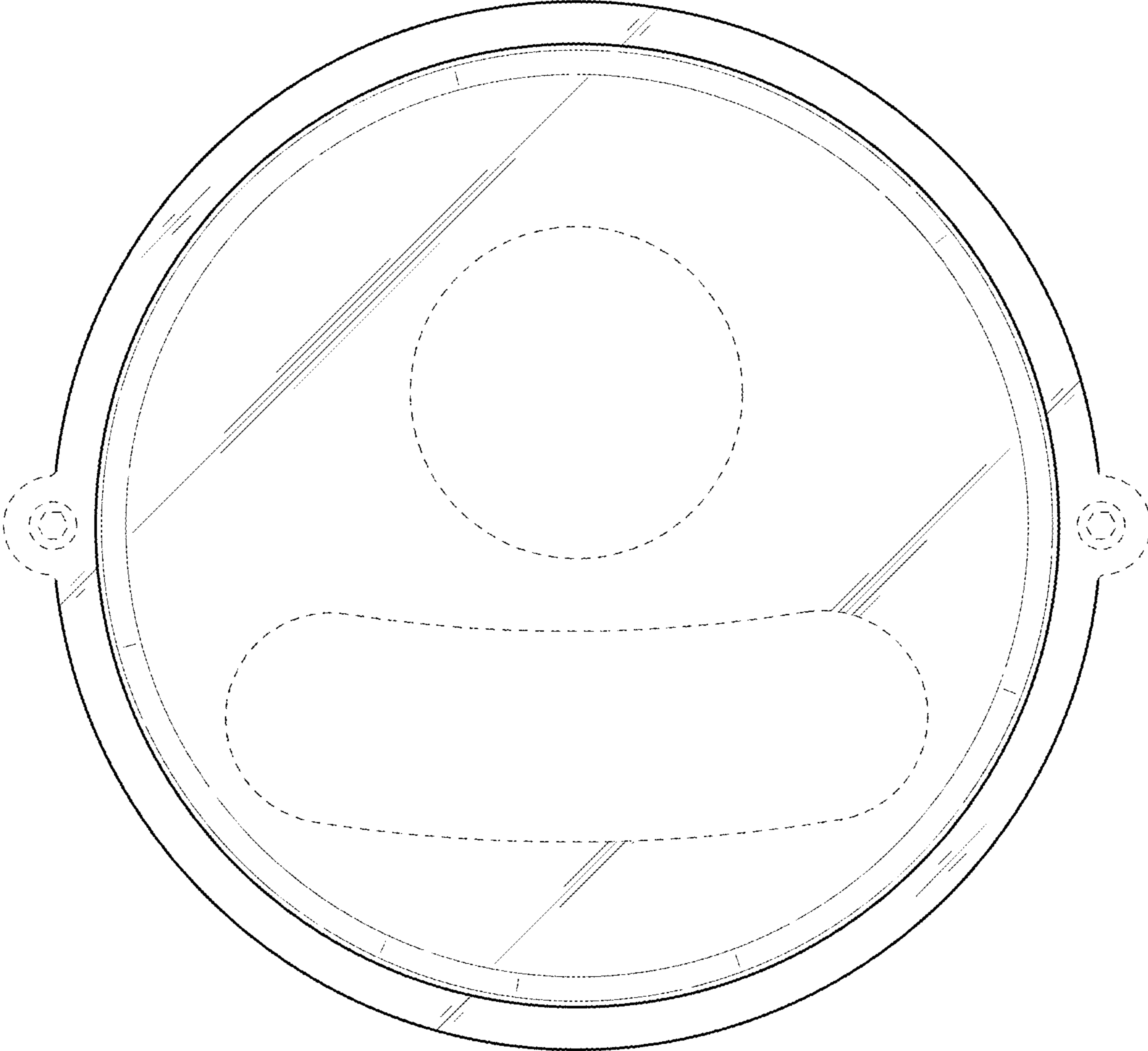


FIG. 8

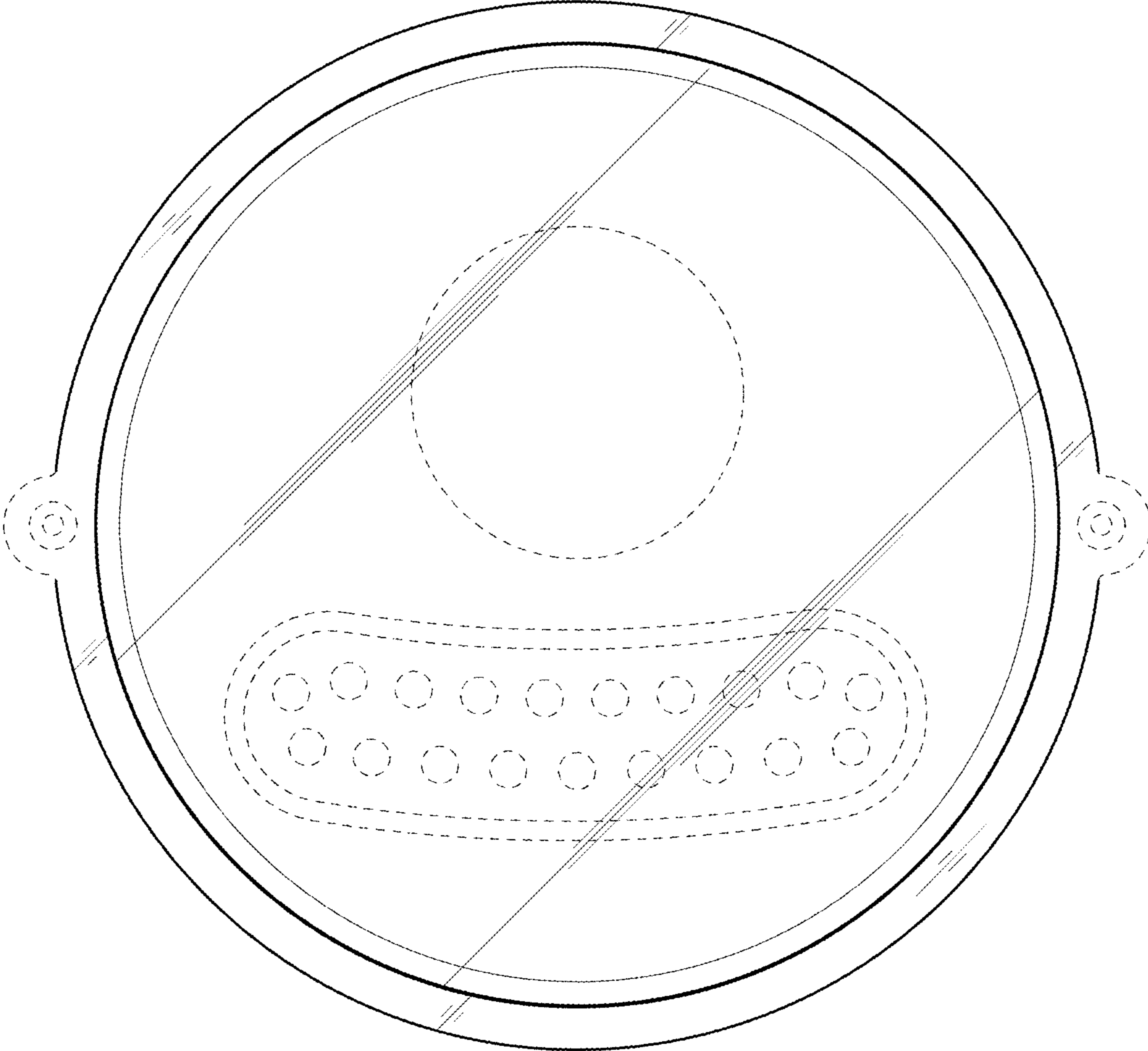




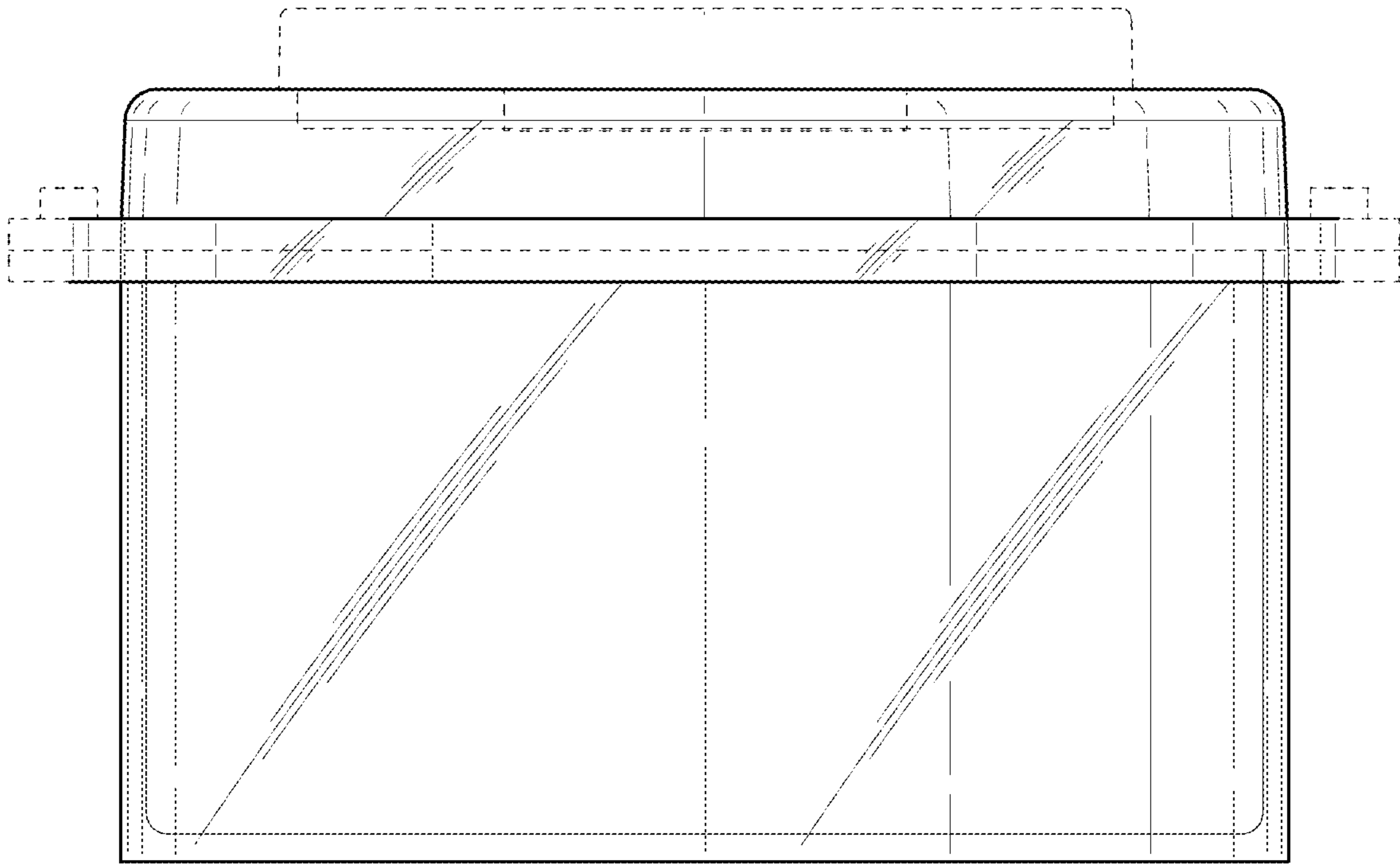
**FIG. 9**



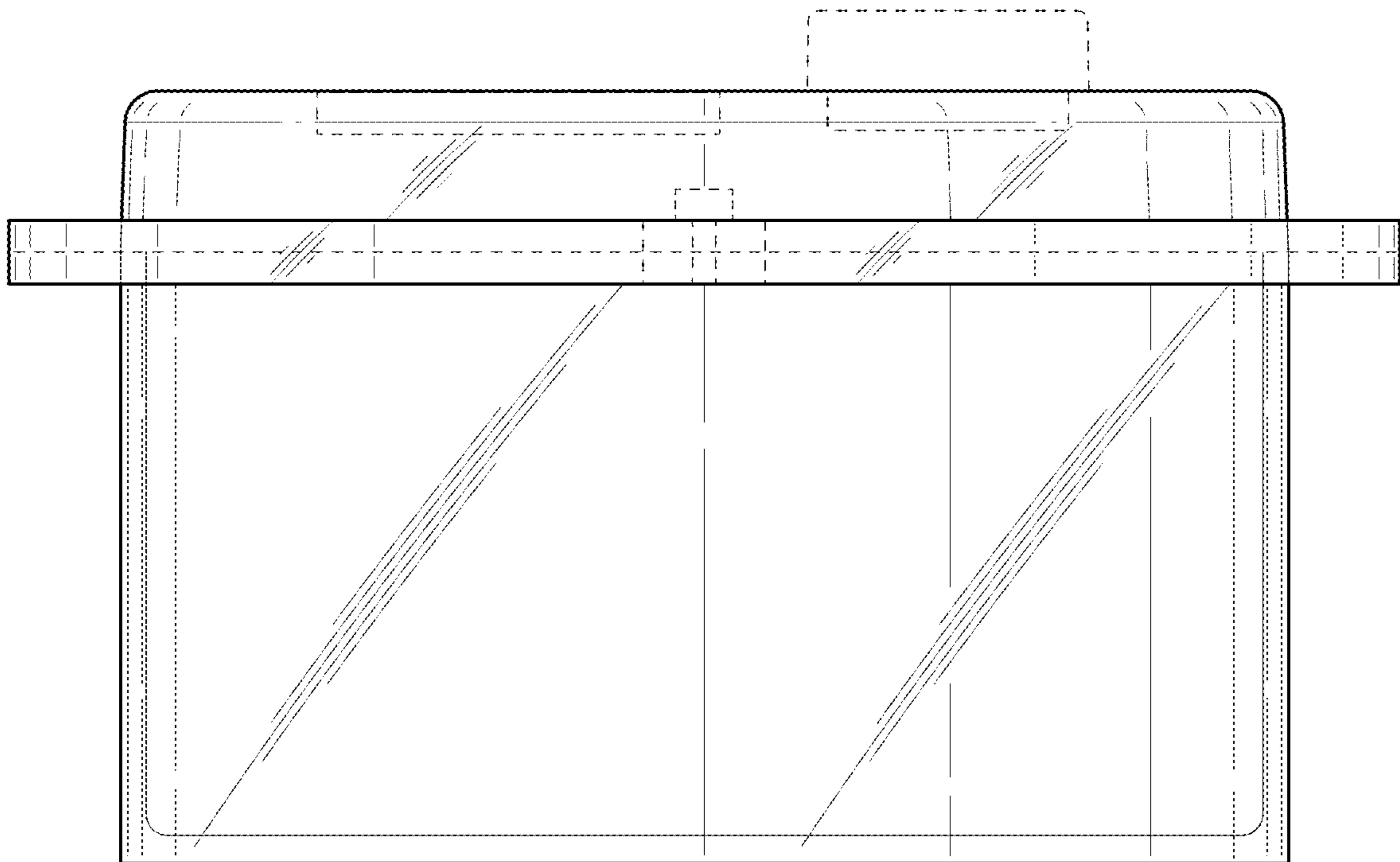
**FIG. 10**



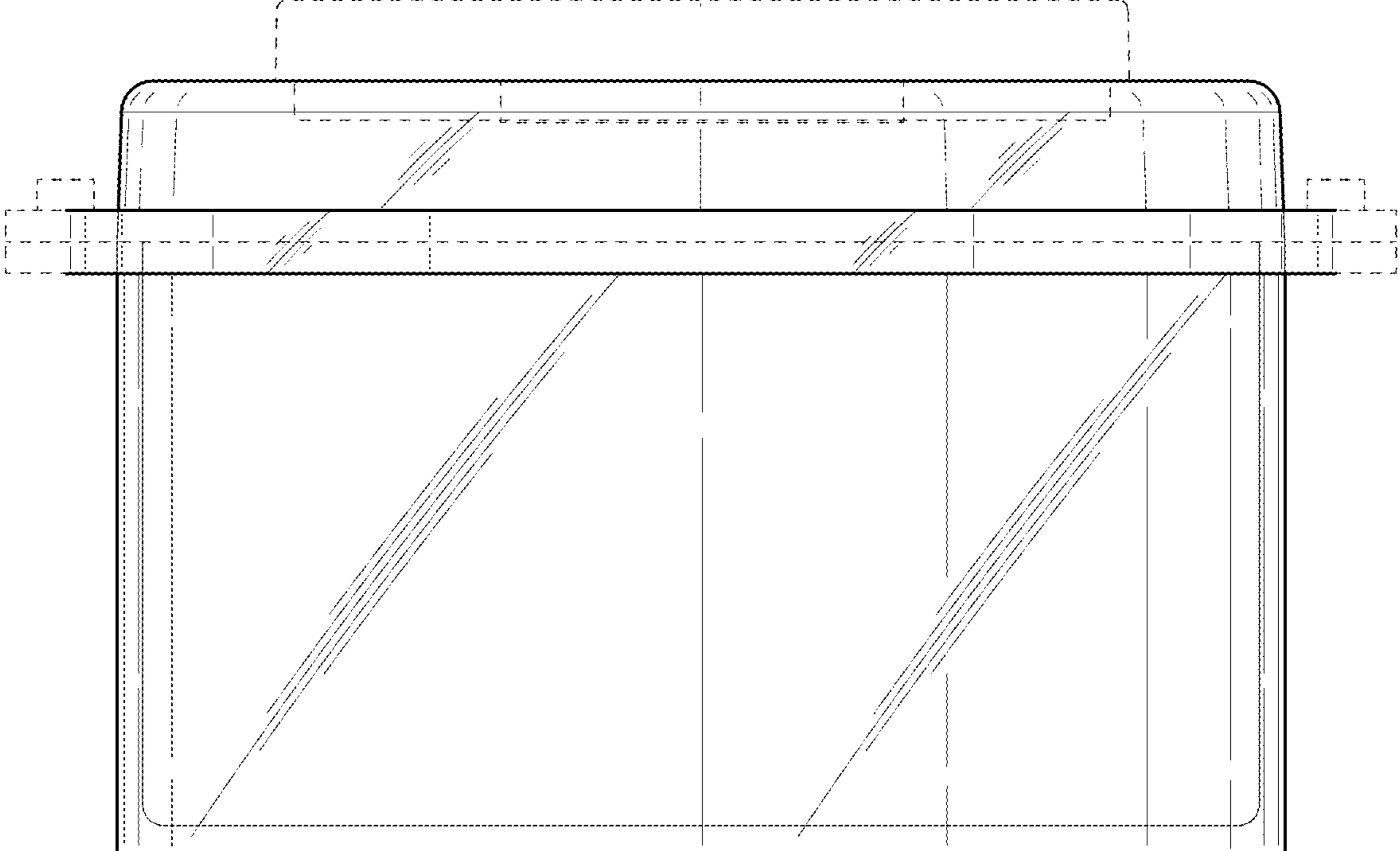
**FIG. 11**



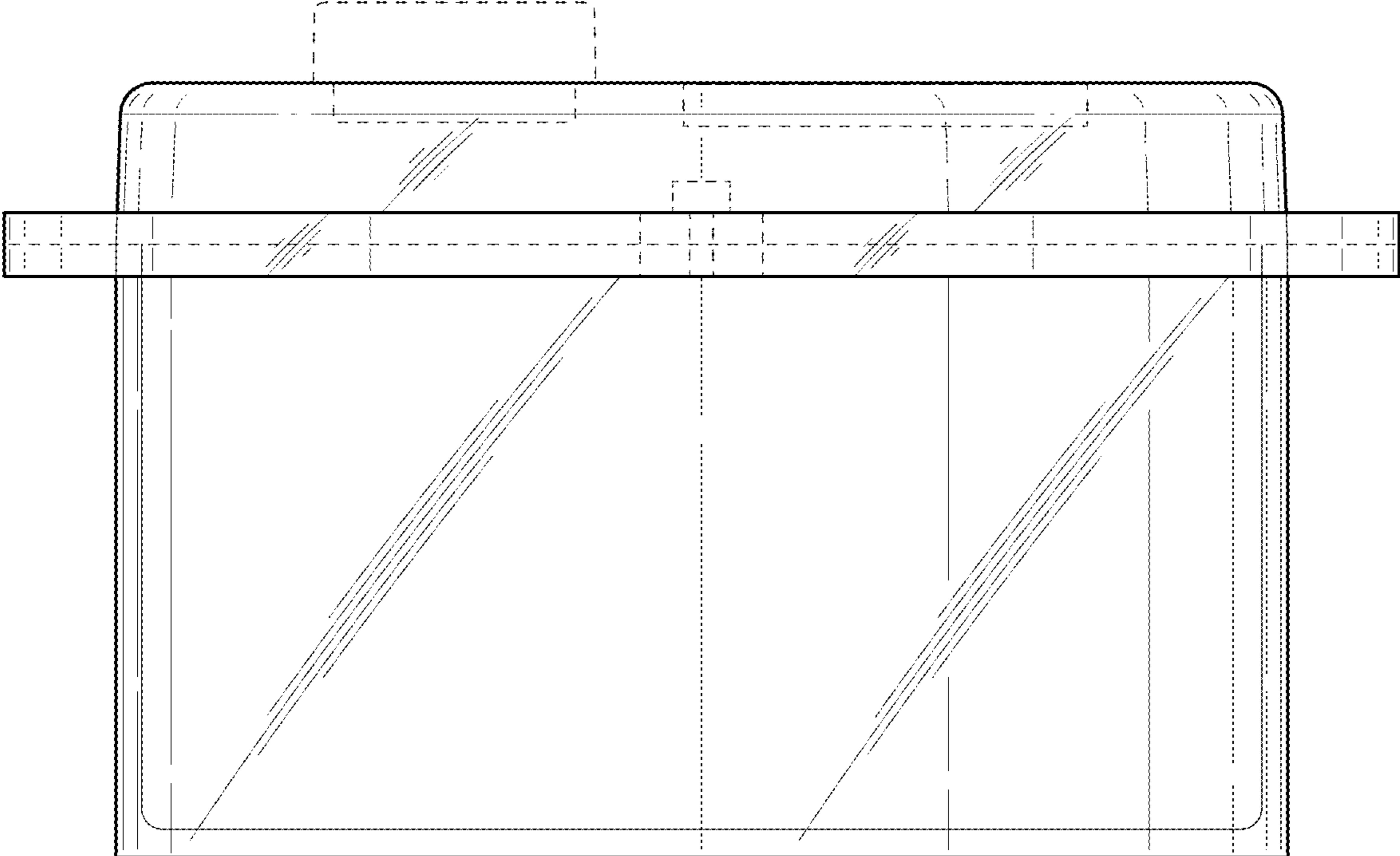
**FIG. 12**



**FIG. 13**



**FIG. 14**



**FIG. 15**

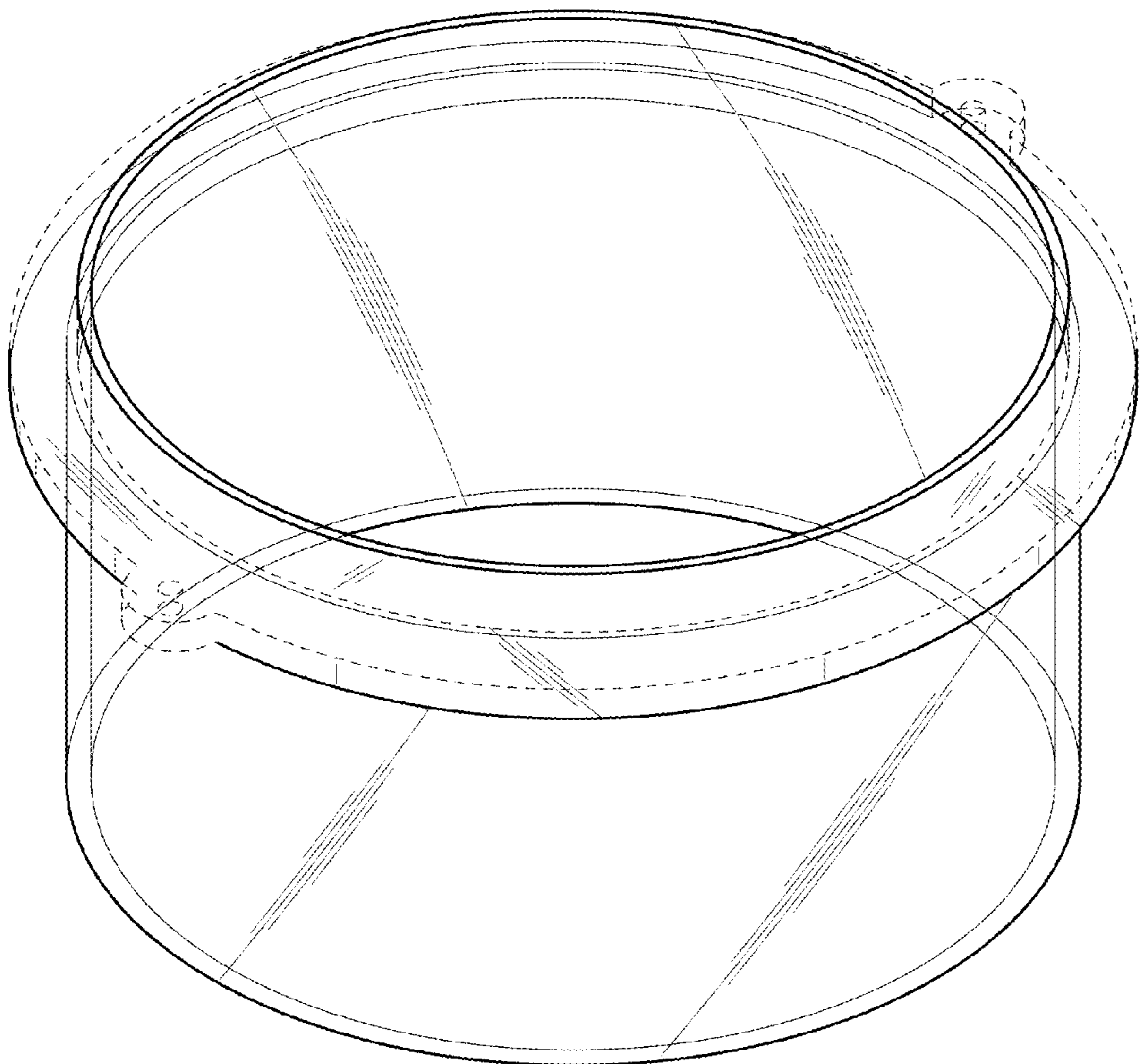
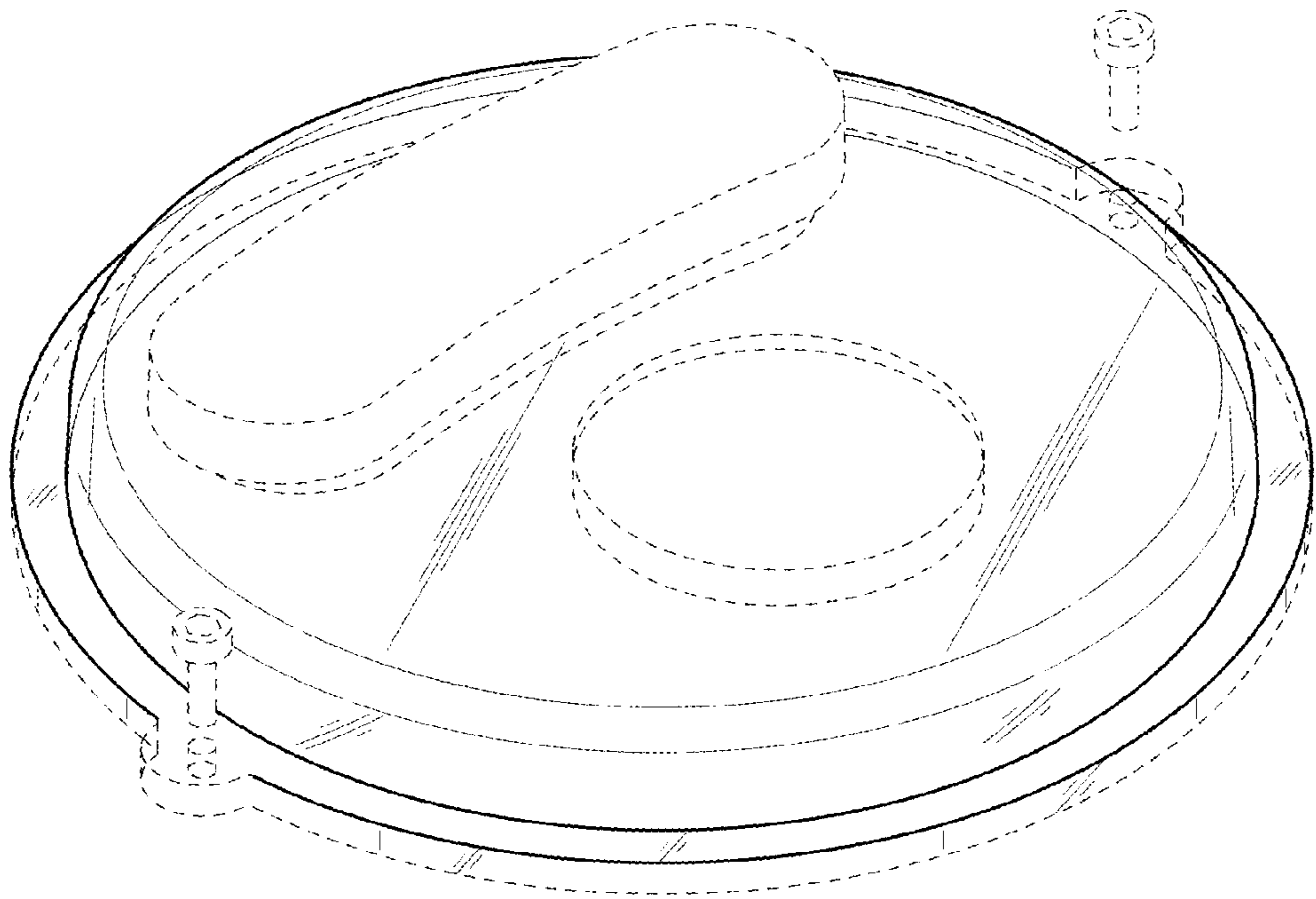
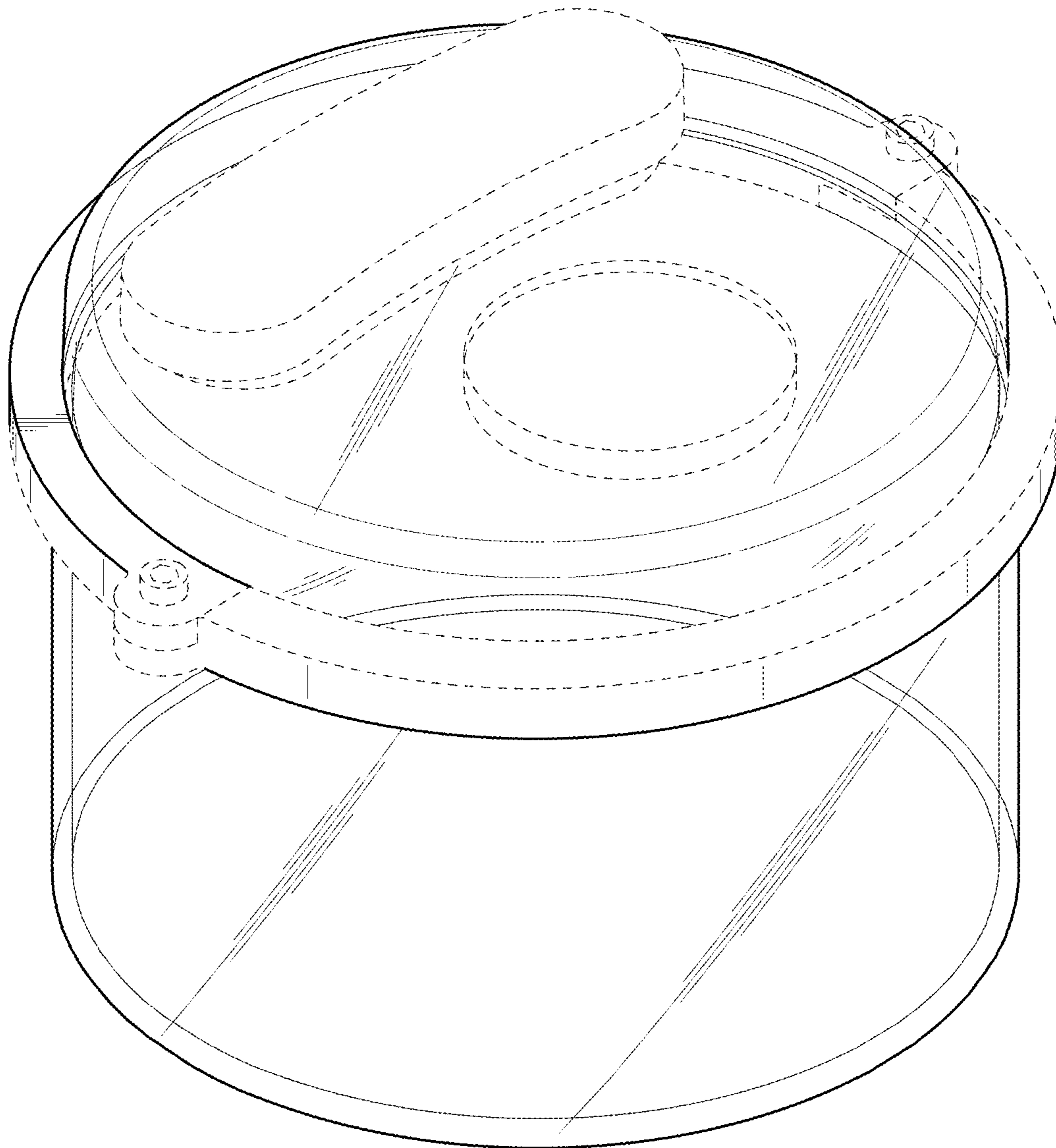
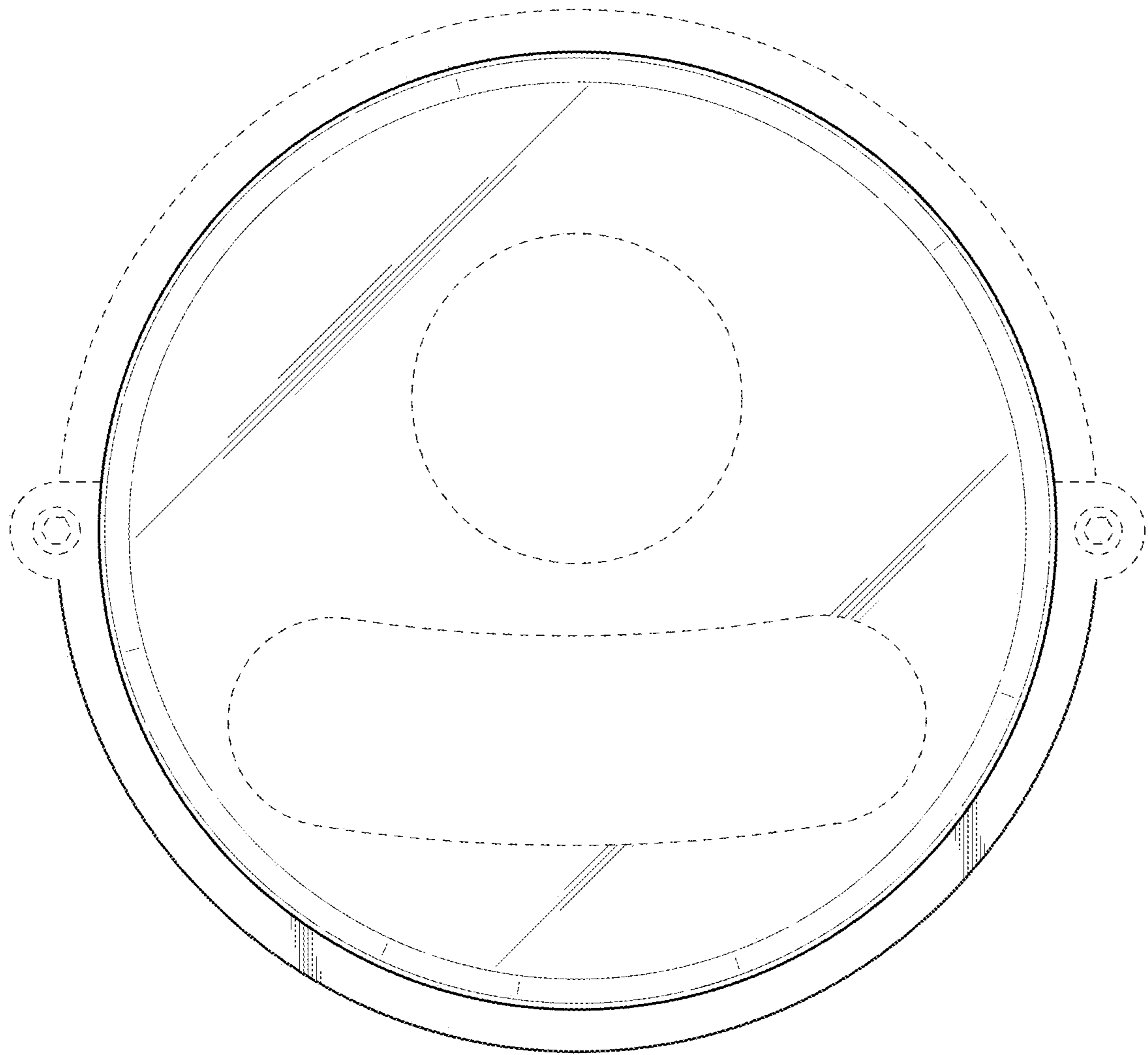


FIG. 16

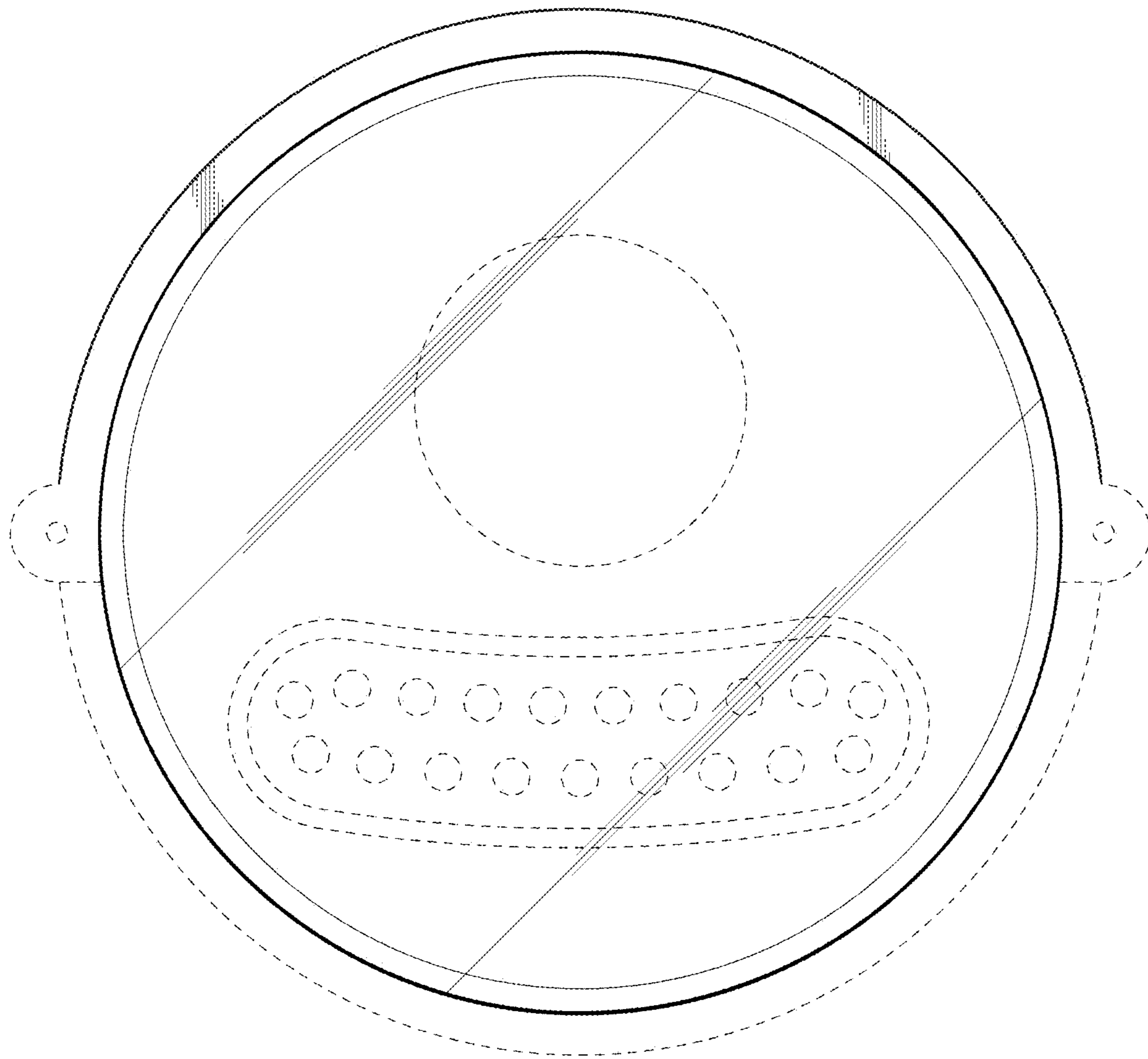


**FIG. 17**

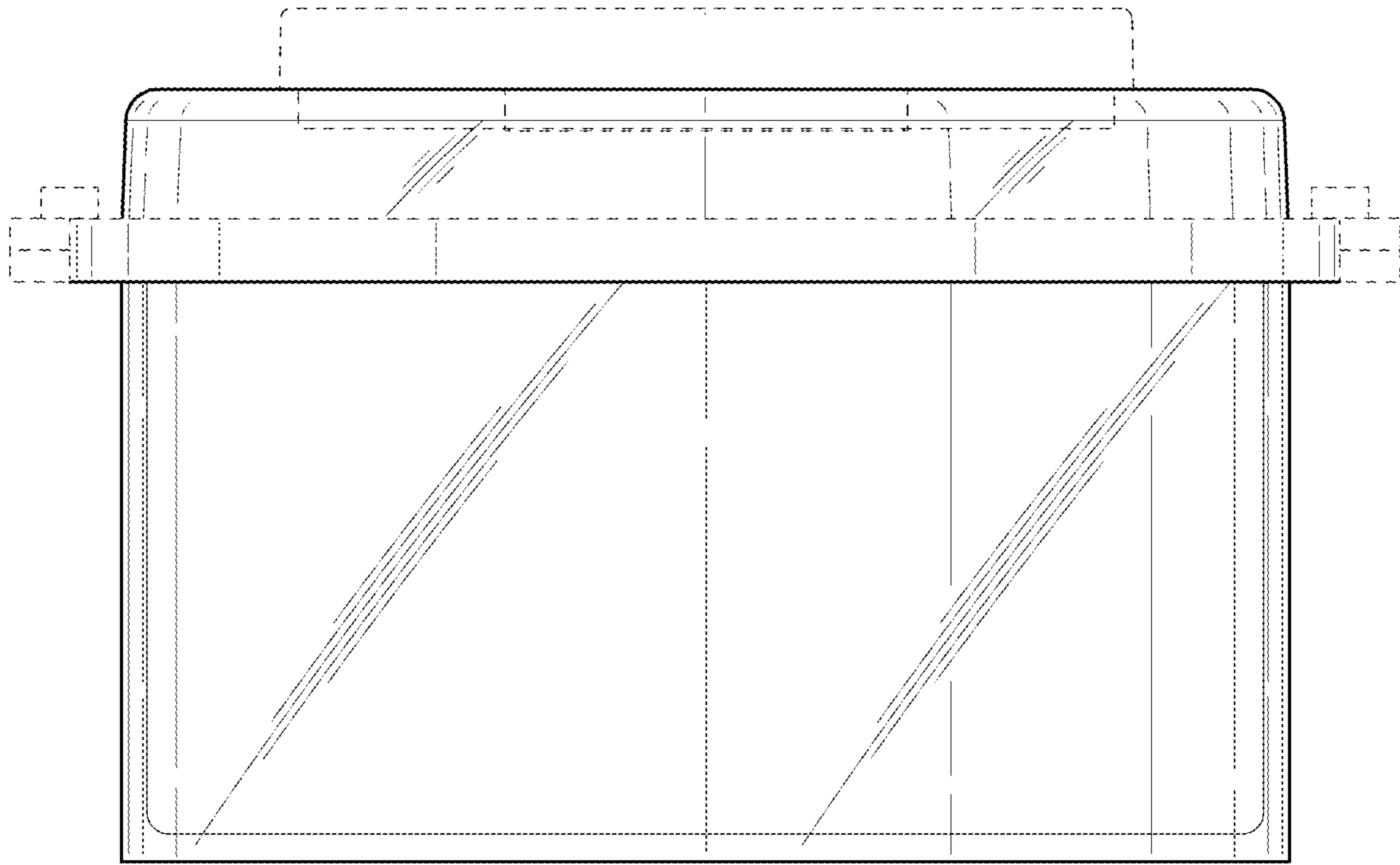


**FIG. 18**

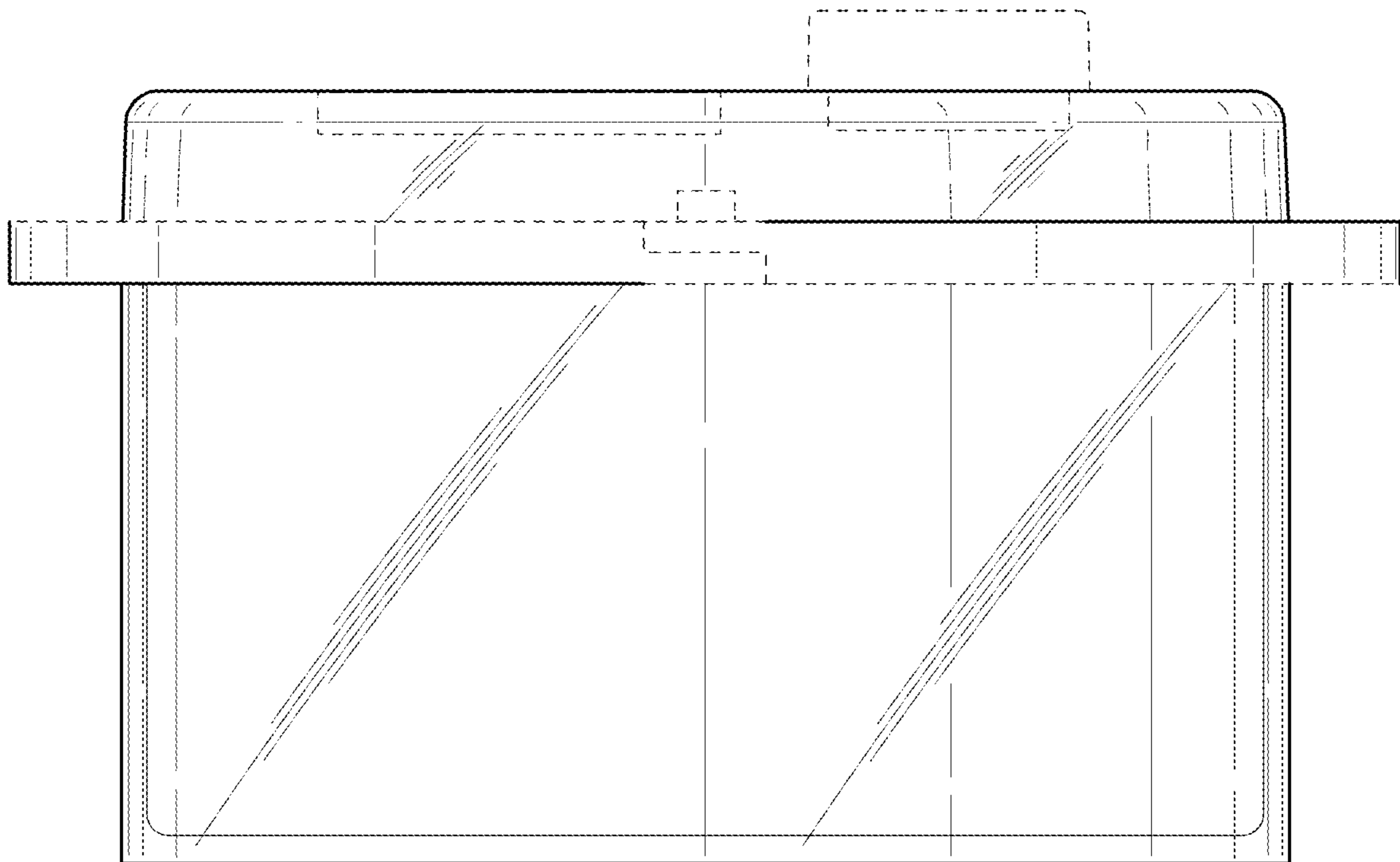




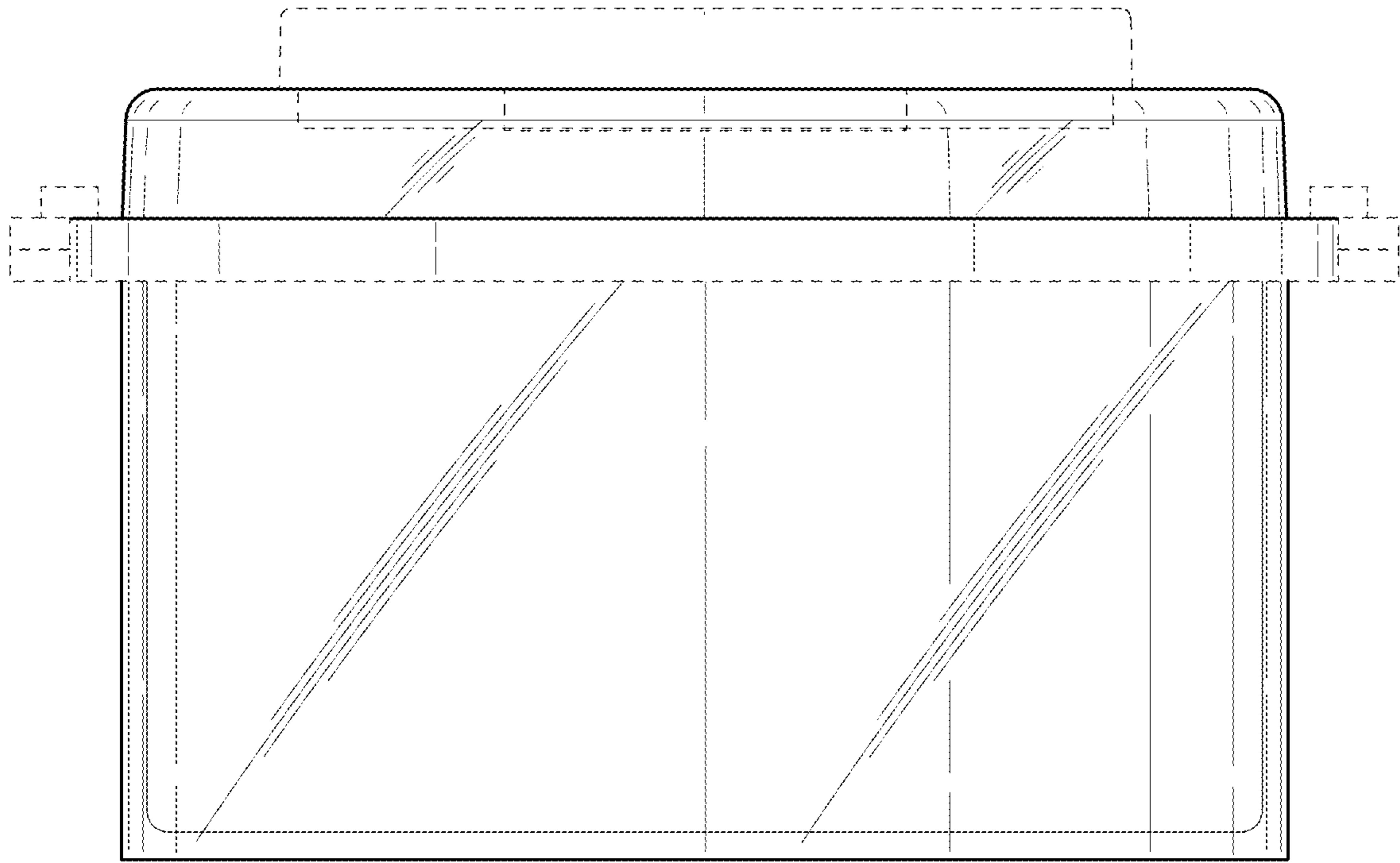
**FIG. 19**



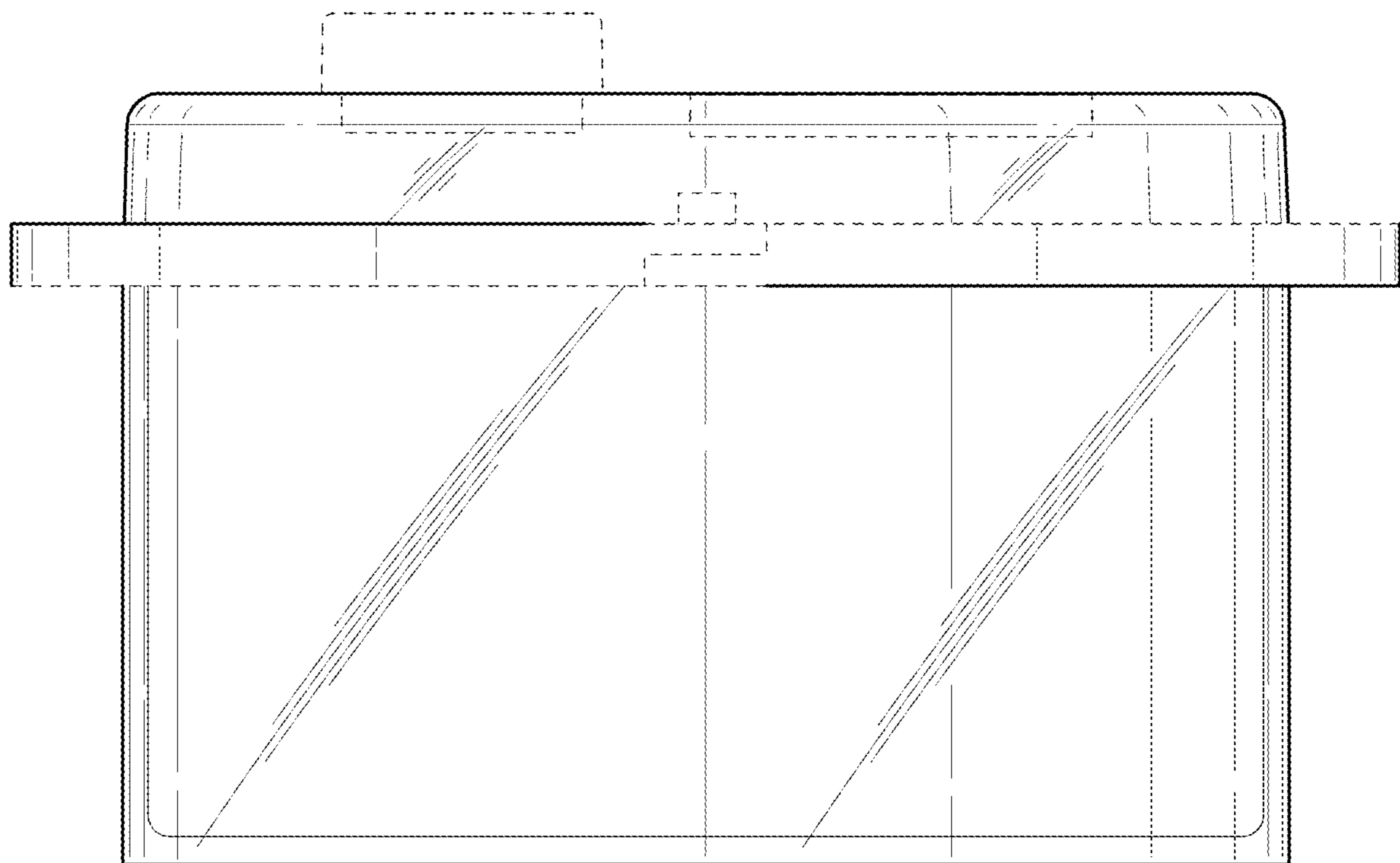
**FIG. 20**



**FIG. 21**



**FIG. 22**



**FIG. 23**

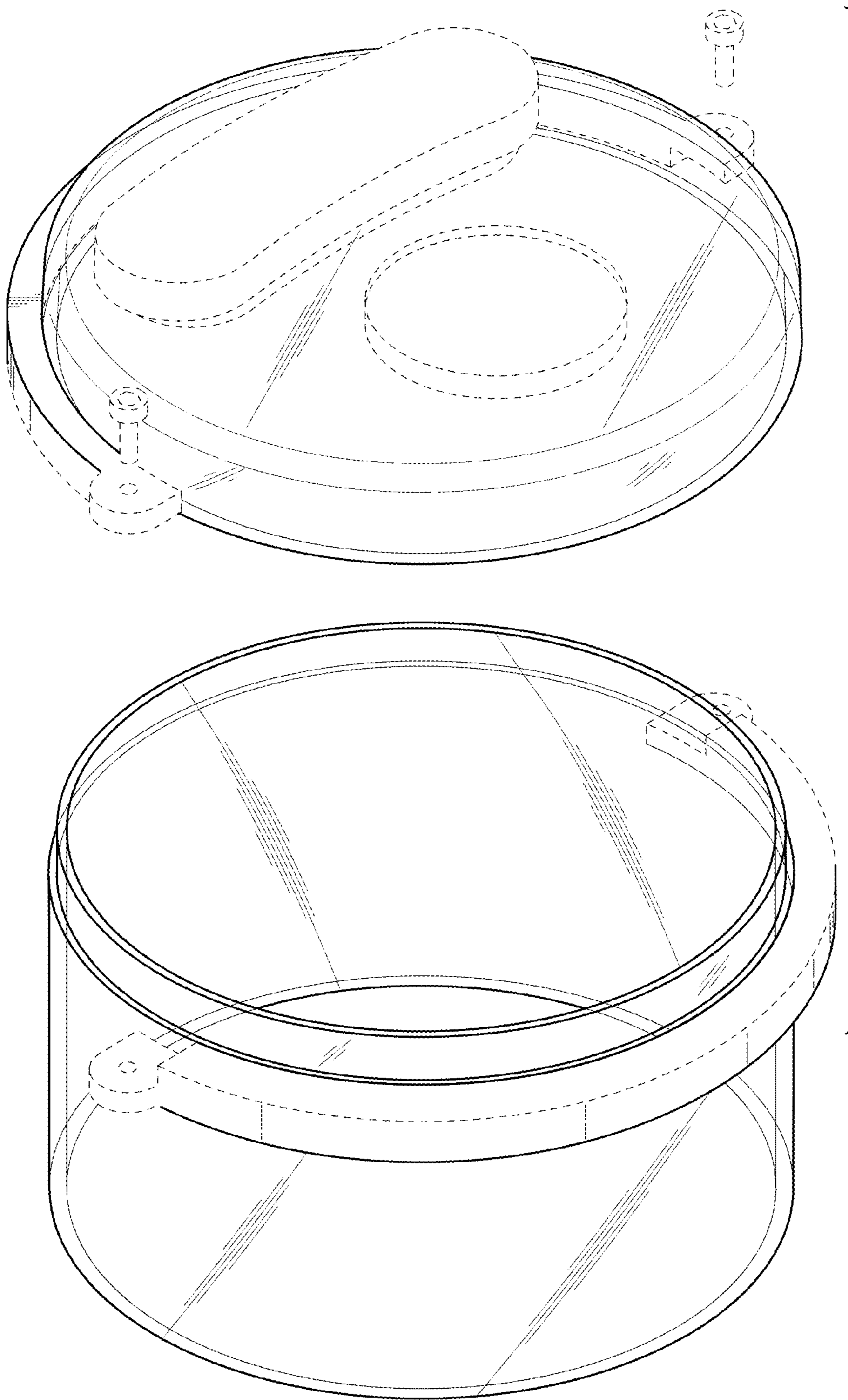


FIG. 24