



US00D918046S

(12) **United States Design Patent**
Vlahakis-Hanks et al.

(10) **Patent No.:** **US D918,046 S**

(45) **Date of Patent:** **** May 4, 2021**

(54) **CONTAINER**

(71) Applicant: **Venus Laboratories, Inc.**, Cypress, CA (US)

(72) Inventors: **Kelly Vlahakis-Hanks**, Cypress, CA (US); **Rick Maddox**, Corona, CA (US); **Firas Jamal**, Huntington Beach, CA (US)

(**) Term: **15 Years**

(21) Appl. No.: **29/681,377**

(22) Filed: **Feb. 25, 2019**

(51) **LOC (13) Cl.** **09-01**

(52) **U.S. Cl.**
USPC **D9/528**; D9/563; D9/571

(58) **Field of Classification Search**
USPC D9/434, 516, 523, 527–528, 530–531, D9/543, 563, 565, 571, 575, 715, 719
CPC B65D 1/00; B65D 1/02; B65D 1/0223; B65D 1/0261; B65D 1/0284; B65D 1/44; B65D 23/00; B65D 23/10; B65D 23/102; B65D 2501/00; B65D 2501/0009; B65D 2501/081

See application file for complete search history.

(56) **References Cited**

U.S. PATENT DOCUMENTS

D323,981 S *	2/1992	Satterfield	D9/527
D329,815 S *	9/1992	Beaver	D9/528
D329,816 S *	9/1992	Beaver	D9/528
D358,333 S *	5/1995	Stockwell	D9/528
D461,717 S *	8/2002	Crawford	D9/528

D474,113 S *	5/2003	Hansen	B65D 1/0223	D9/531
D527,268 S *	8/2006	Kitamura	D9/528	
D530,209 S *	10/2006	Soller	D9/528	
D576,045 S *	9/2008	LeVasseur	D9/531	
D639,171 S *	6/2011	Davis	D9/528	
D658,499 S *	5/2012	Wycoff	D9/528	
D660,165 S *	5/2012	Fuller	D9/528	
D666,499 S *	9/2012	Fuller	D9/528	
D726,016 S *	4/2015	Janney	D9/531	
D726,017 S *	4/2015	Janney	D9/531	
D799,326 S *	10/2017	Meier	D9/528	
D867,146 S *	11/2019	Gerhards	D9/528	

* cited by examiner

Primary Examiner — Dana Meyrow

(74) *Attorney, Agent, or Firm* — Camuti Law Group, APC; Nathan Camuti

(57) **CLAIM**

The ornamental design for a container, as shown and described.

DESCRIPTION

FIG. 1 shows a top perspective view of a container showing our new design;
FIG. 2 shows a right side view of the container of FIG. 1;
FIG. 3 shows a left side view of the container of FIG. 1;
FIG. 4 shows a rear view of the container of FIG. 1;
FIG. 5 shows a front view of the container of FIG. 1;
FIG. 6 shows a top view of the container of FIG. 1; and,
FIG. 7 shows a bottom view of the container of FIG. 1.
The broken lines in the drawings illustrate the portions of the container that form no part of the claimed design.

1 Claim, 6 Drawing Sheets

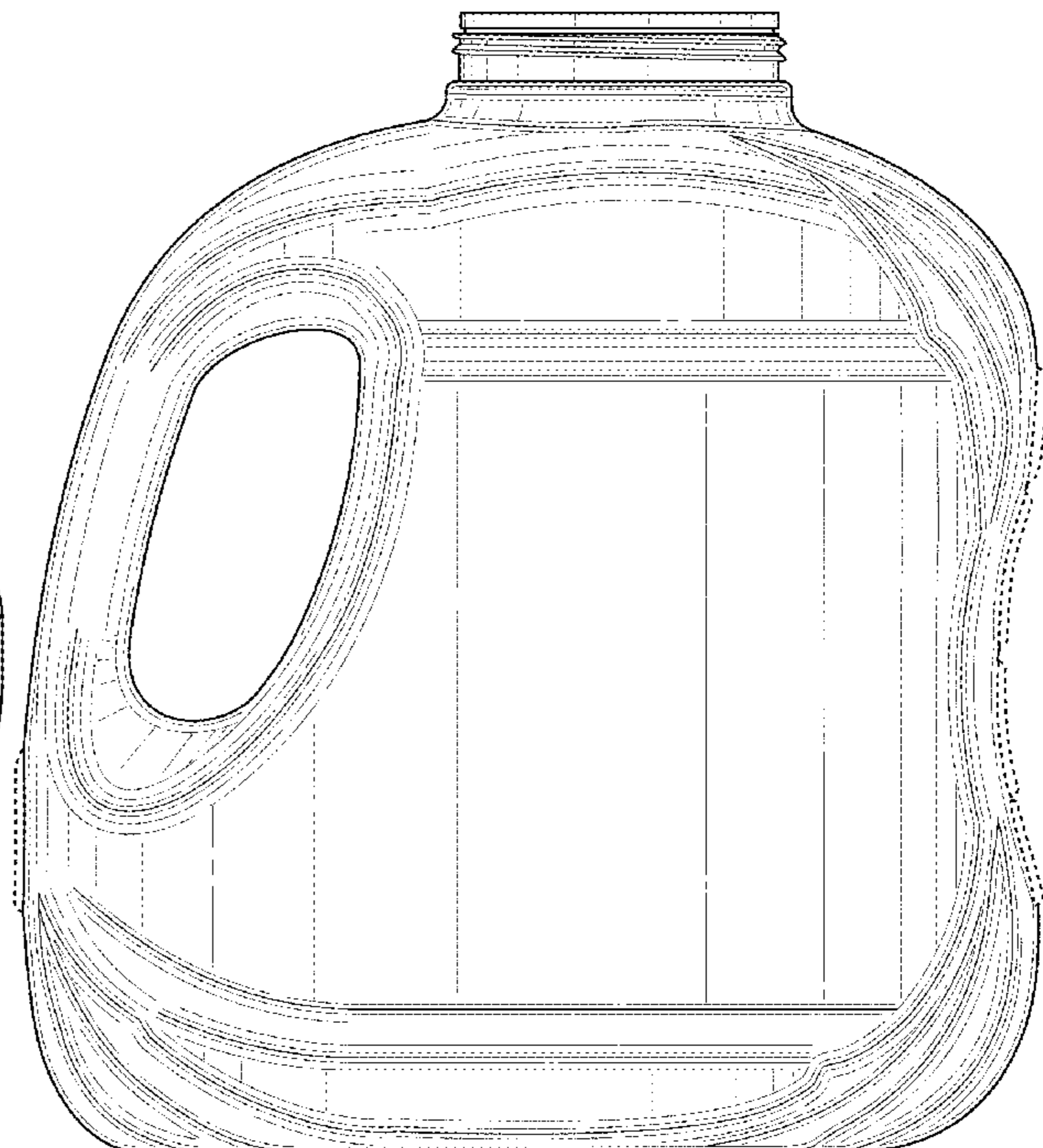
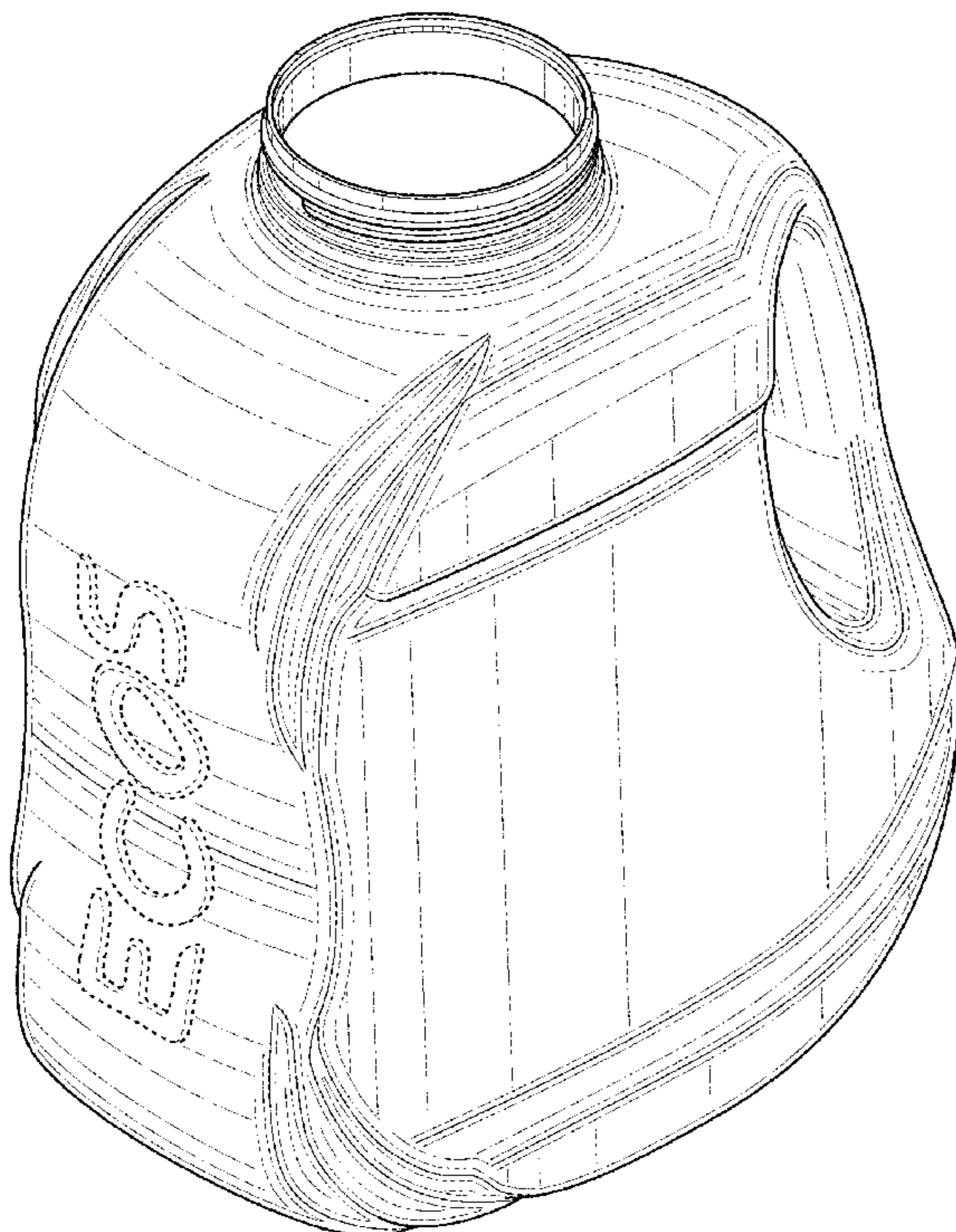




FIG. 1

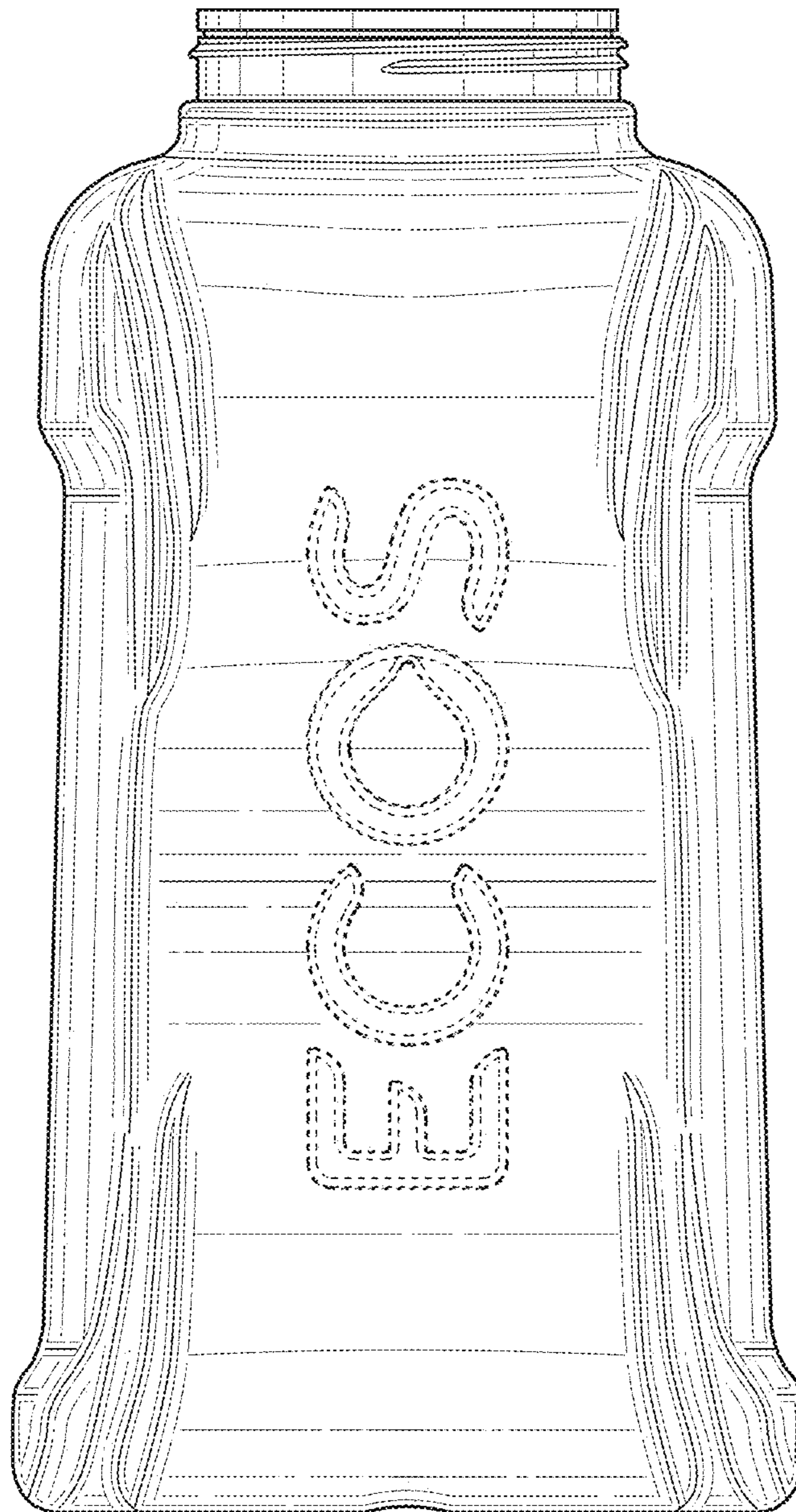


FIG. 2

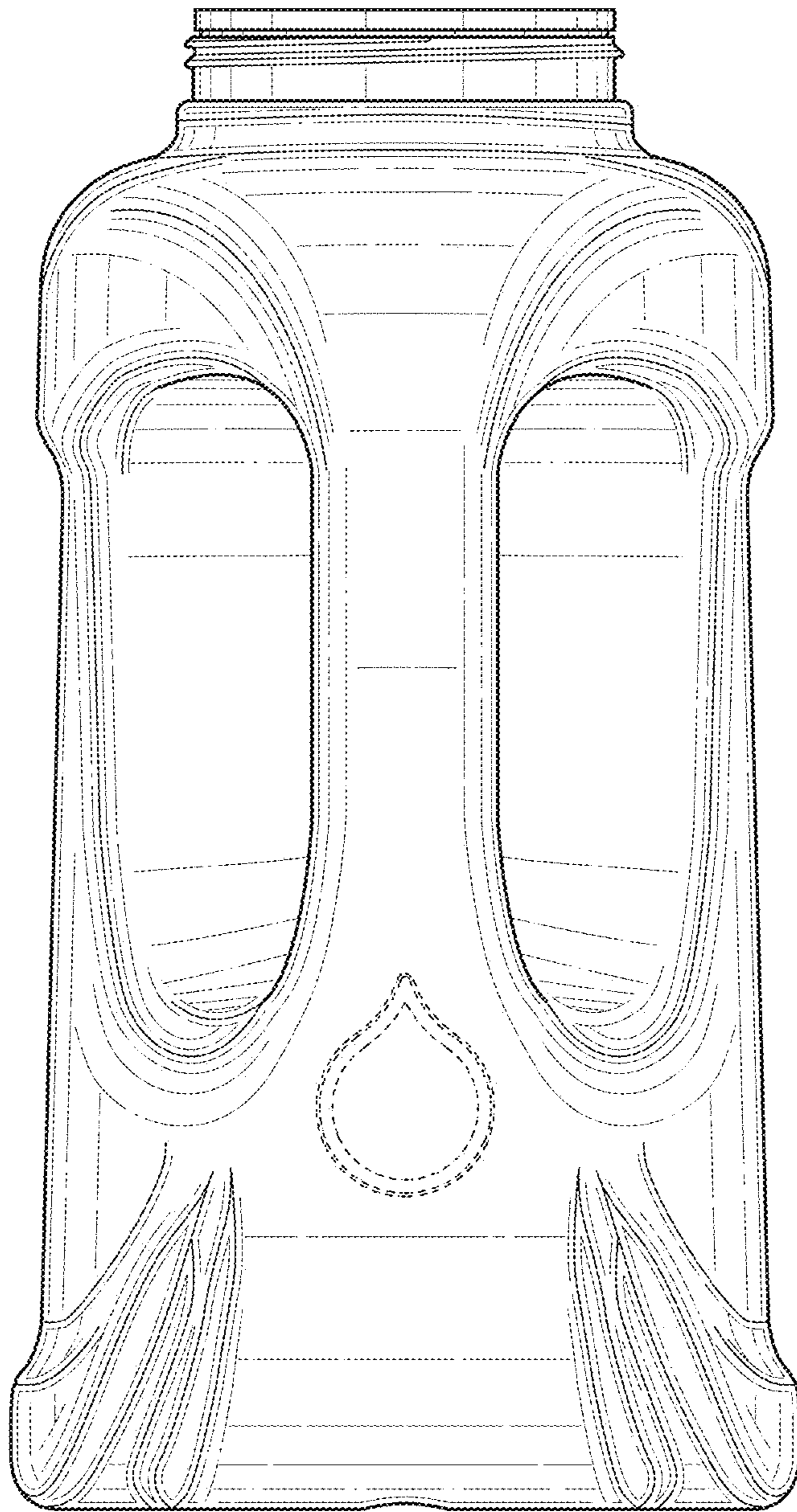


FIG. 3

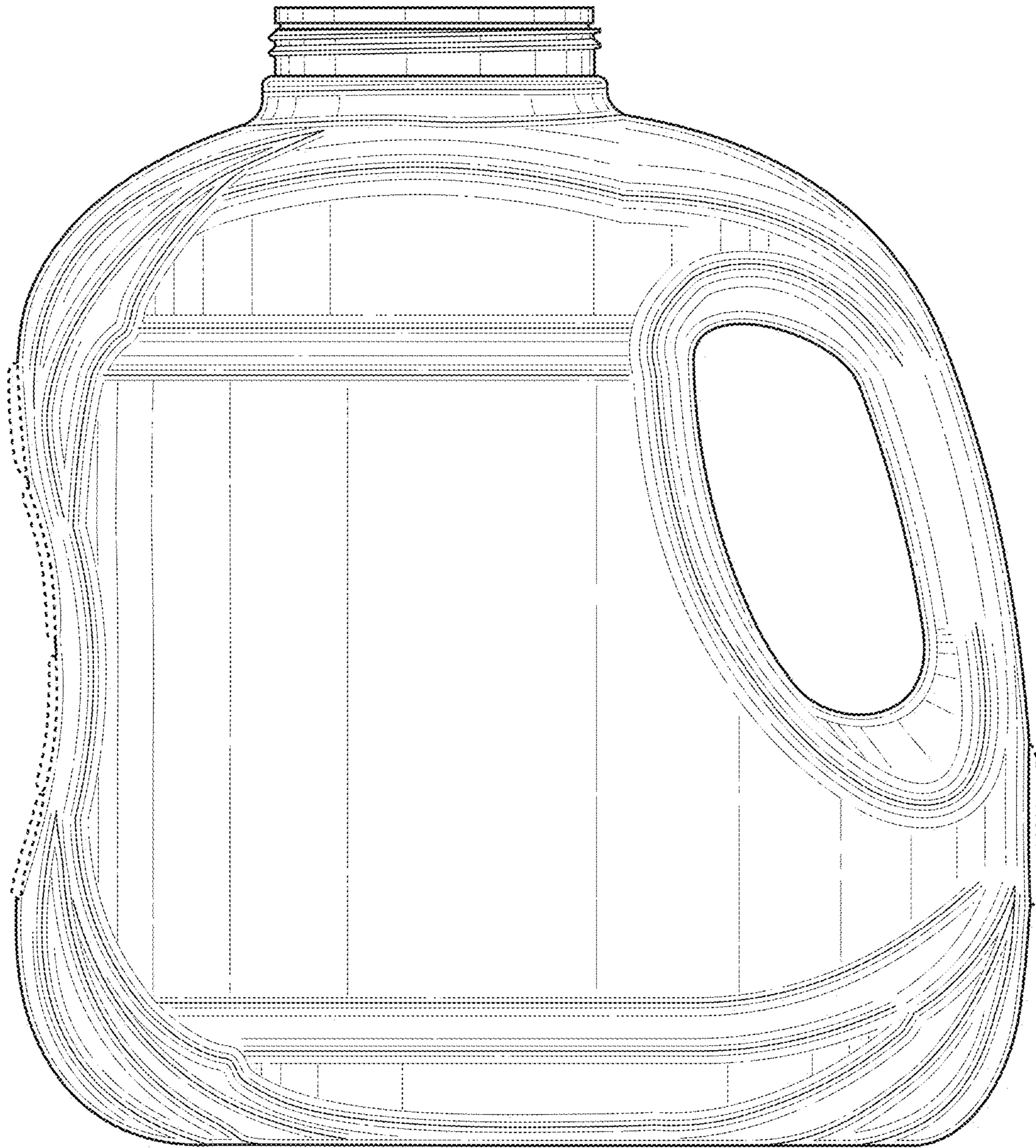


FIG. 4

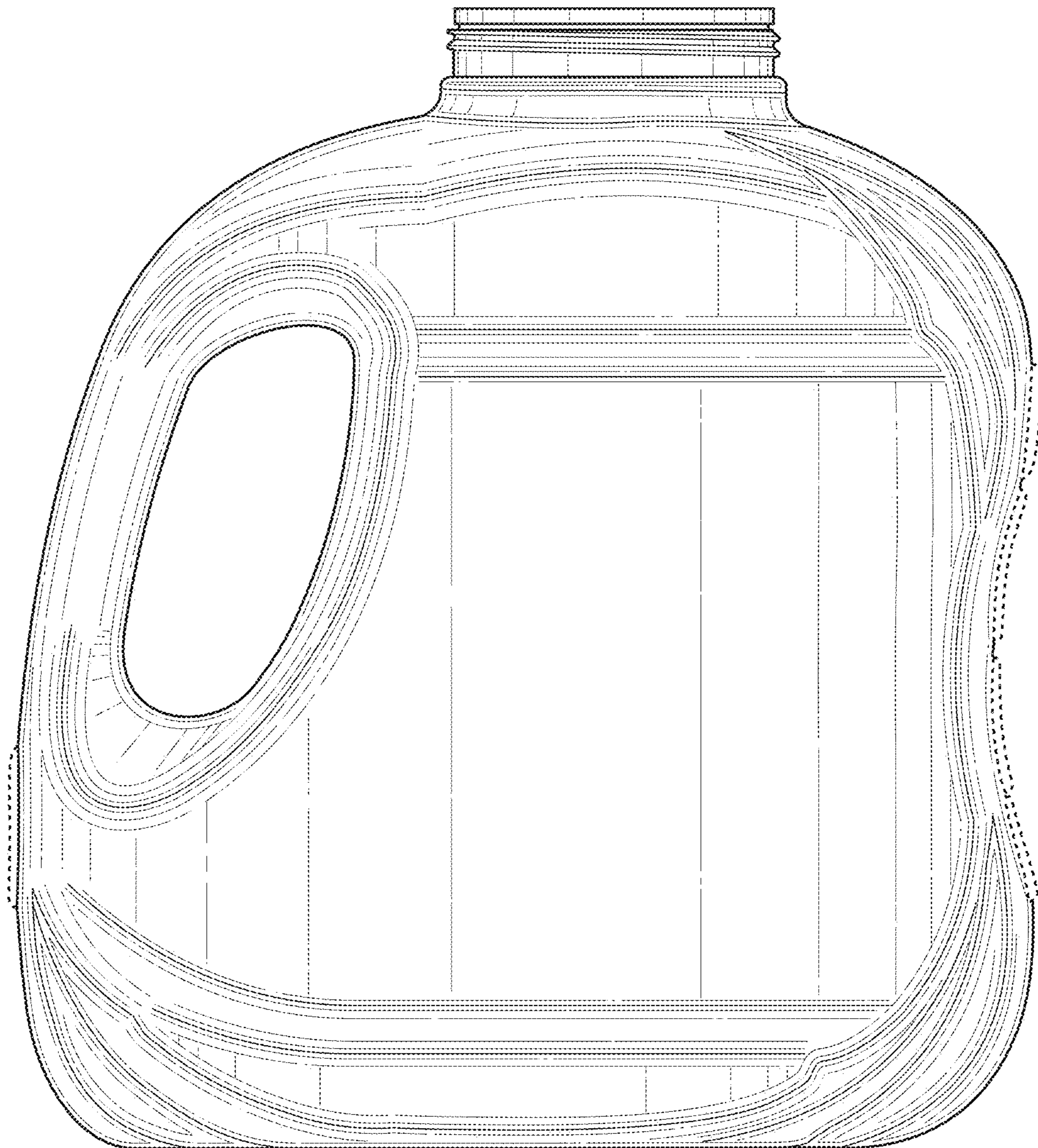


FIG. 5

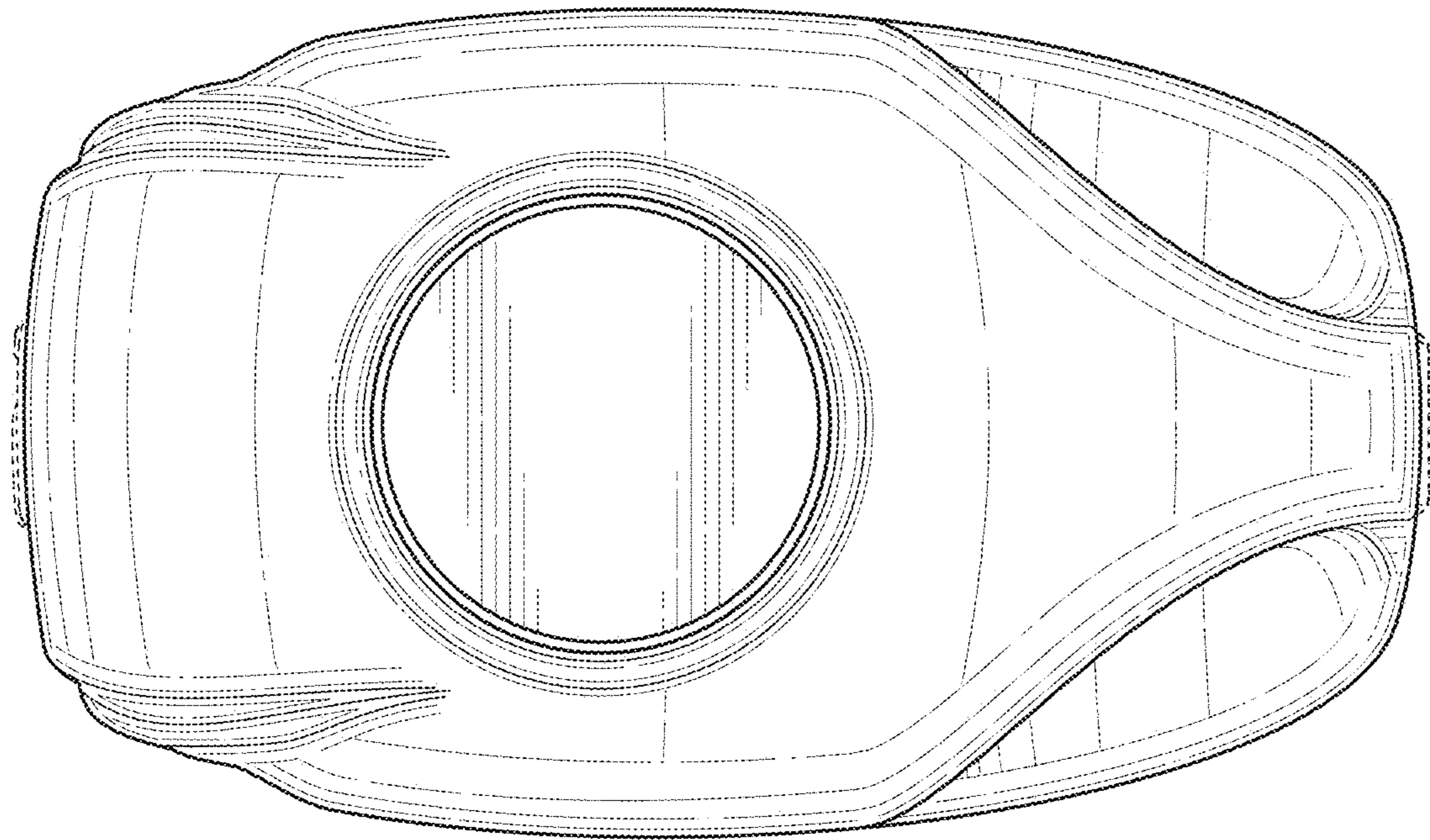


FIG. 6

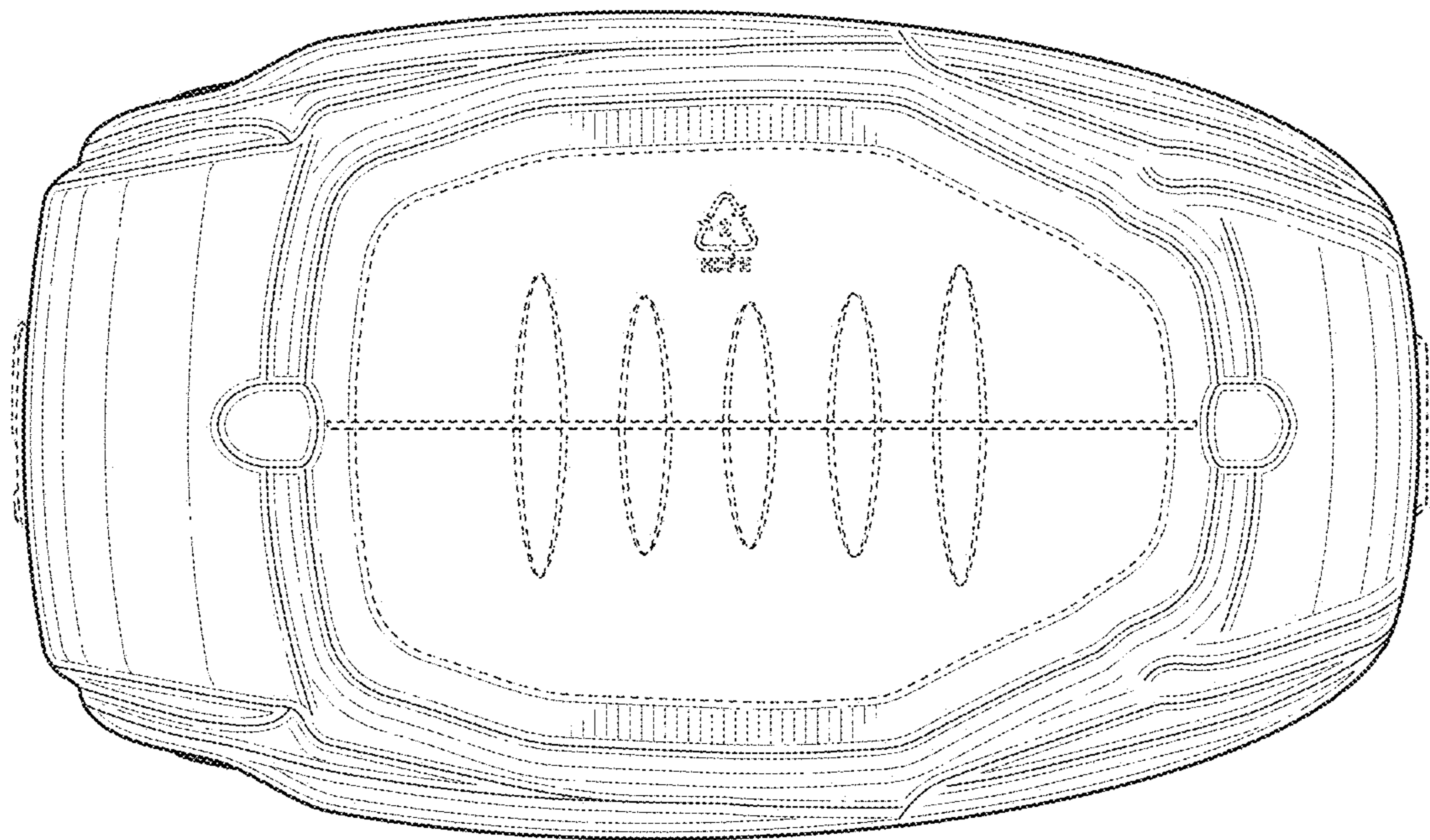


FIG. 7