



US00D918045S

(12) **United States Design Patent** (10) **Patent No.:** **US D918,045 S**  
**Yourist** (45) **Date of Patent:** **\*\* May 4, 2021**

(54) **CONTAINER**

(71) Applicant: **Graham Packaging Company, L.P.**,  
Lancaster, PA (US)

(72) Inventor: **Sheldon E. Yourist**, York, PA (US)

(73) Assignee: **Graham Packaging Company, L.P.**,  
Lancaster, PA (US)

(\*\*) Term: **15 Years**

(21) Appl. No.: **29/682,406**

(22) Filed: **Mar. 5, 2019**

(51) **LOC (13) Cl.** ..... **09-01**

(52) **U.S. Cl.**  
USPC ..... **D9/523; D9/528; D9/574**

(58) **Field of Classification Search**  
USPC ..... D9/521, 523, 528, 529, 544, 550, 574,  
D9/500, 531, 543, 560, 563, 575, 905,  
D9/907, 527; D7/300, 300.1, 510, 598;  
D23/211.1, 211.2; 215/398, 381;  
D34/39; D11/62; 206/0.6; 220/6  
CPC ..... B65D 1/0223; B65D 23/10; B65D  
2501/0081; B65D 21/0231; B65D 1/0284;  
A47J 43/27; A47J 41/0077; A47J 19/023  
See application file for complete search history.

(56) **References Cited**

**U.S. PATENT DOCUMENTS**

D195,280 S \* 5/1963 Bodenheimer ..... D9/520  
D202,660 S \* 10/1965 Dike ..... D9/520  
D207,243 S \* 3/1967 Kelly ..... D9/528  
(Continued)

**FOREIGN PATENT DOCUMENTS**

DE 202011052413 U1 1/2012  
GB 2055052 \* 7/1996  
(Continued)

**OTHER PUBLICATIONS**

Reliance Aqua-Tainers: Simple and Cheap Water Storage Option (YouTube), available Apr. 9, 2016, [online], [site visited Jun. 25, 2020], Video available from internet, URL: <https://www.youtube.com/watch?v=DKTNsOVwUgc> (Year: 2016).\*

(Continued)

*Primary Examiner* — Brett Miller

*Assistant Examiner* — Rani J Abdallah

(74) *Attorney, Agent, or Firm* — Baker Botts L.L.P.

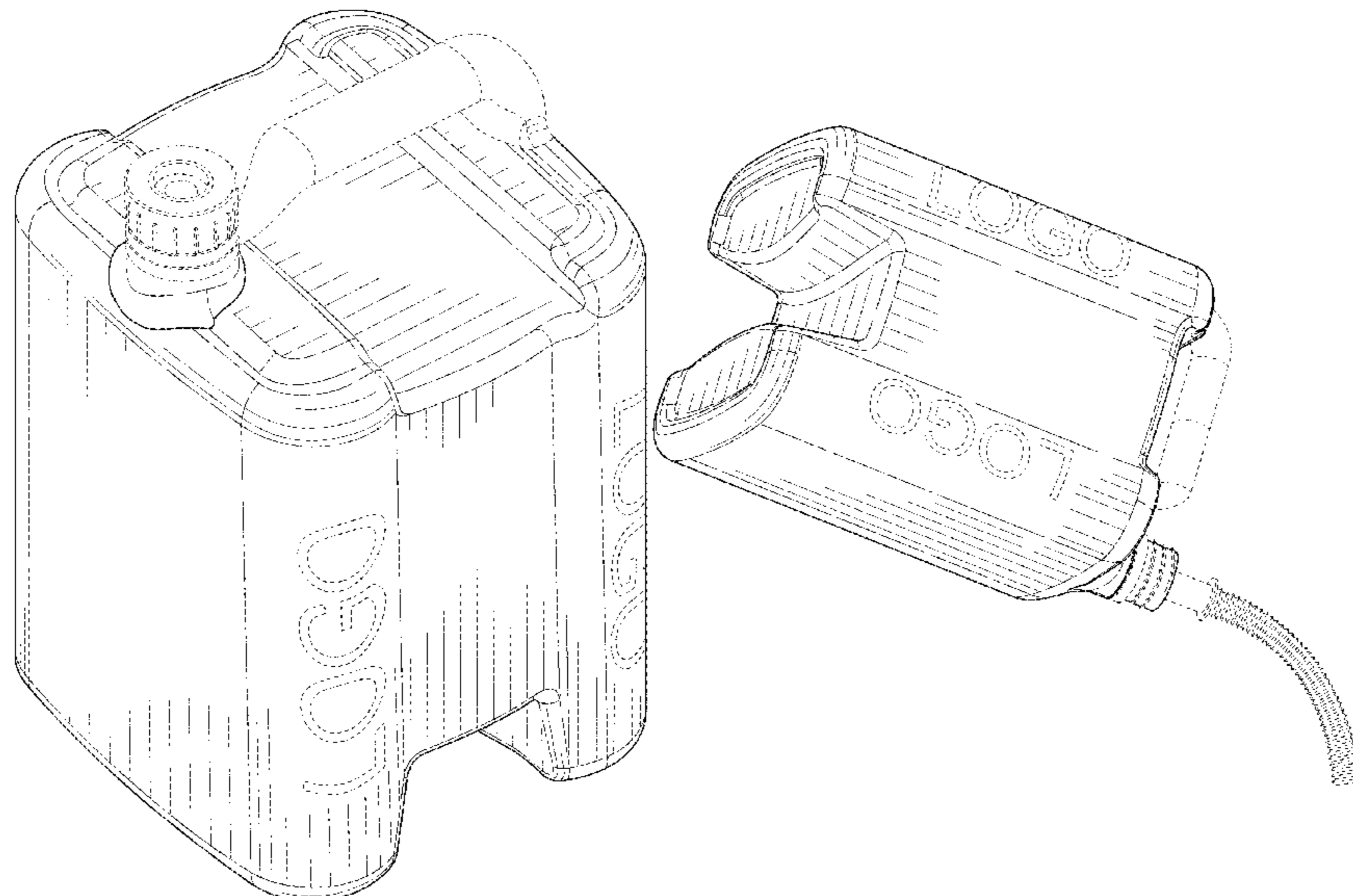
(57) **CLAIM**

The ornamental design for a container, as shown and described.

**DESCRIPTION**

FIG. 1 is a front left perspective view of a container of the present invention.  
FIG. 2 is a front view of the container of FIG. 1.  
FIG. 3 is a rear view of the container of FIG. 1.  
FIG. 4 is a left view of the container of FIG. 1.  
FIG. 5 is a right view of the container of FIG. 1.  
FIG. 6 is a top view of the container of FIG. 1.  
FIG. 7 is a bottom view of the container of FIG. 1.  
FIG. 8 is a front right perspective view of the container of FIG. 1.  
FIG. 9 is a perspective view of the containers of FIG. 1 in a stacked relationship.  
FIG. 10 is an elevated rear perspective view of the container of FIG. 1 in a pouring configuration; and,  
FIG. 11 is an elevated rear perspective view of the container of FIG. 1 in a pouring configuration with a dispensing nozzle extended. The dispensing nozzle is shown in broken lines to depict an unclaimed portion of the container and forms no part of the claimed design.  
The broken lines are shown to indicate unclaimed portions of the container and form no part of the claimed design.

**1 Claim, 11 Drawing Sheets**



(56)

References Cited

U.S. PATENT DOCUMENTS

3,369,688 A \* 2/1968 Dike ..... B65D 21/0231  
215/10  
3,400,846 A \* 9/1968 Kelly ..... B65D 1/20  
215/398  
D242,324 S \* 11/1976 Gartin ..... D9/520  
4,213,532 A 7/1980 Eggert et al.  
D262,923 S 2/1982 Broilliard  
D277,552 S \* 2/1985 Kung ..... D9/524  
D278,887 S 5/1985 Steiner  
D282,244 S 1/1986 Santoiemmo  
D282,347 S 1/1986 Steiner  
D286,615 S 11/1986 Lyons  
4,805,793 A \* 2/1989 Brandt ..... B65D 21/0231  
206/509  
4,989,738 A 2/1991 Thayer  
5,114,028 A \* 5/1992 Ring ..... B65D 1/18  
215/398  
5,299,710 A 4/1994 Welsch  
D361,720 S 8/1995 Rokus et al.  
D371,967 S \* 7/1996 Miller ..... D9/520  
D373,532 S \* 9/1996 Miller ..... D9/528  
D378,494 S \* 3/1997 Miller ..... D9/528  
D382,061 S 8/1997 Mathis et al.  
D391,165 S 2/1998 Walker  
5,794,818 A 8/1998 Bromwell  
6,029,858 A \* 2/2000 Srokose ..... B65D 1/18  
222/143  
D428,341 S 7/2000 Boutin  
D434,326 S 11/2000 Smorch  
D454,789 S \* 3/2002 Harvey ..... D9/524  
6,588,612 B1 \* 7/2003 Dorn ..... B65D 1/18  
206/509  
D479,468 S \* 9/2003 Dorn ..... D9/531  
D485,189 S 1/2004 Montalbano et al.  
D527,639 S \* 9/2006 Voss ..... B65D 1/18  
D9/528  
D573,028 S \* 7/2008 Briussel ..... D9/527  
D573,885 S \* 7/2008 Considine ..... B65D 25/2897  
D9/528  
D604,385 S 11/2009 Fontaine  
D620,806 S \* 8/2010 Ferguson ..... D9/528  
D631,358 S \* 1/2011 Voelker ..... D9/528  
D662,825 S \* 7/2012 Murphy ..... D9/528  
D670,170 S 11/2012 Voelker  
D672,657 S 12/2012 Hall  
D687,712 S 8/2013 Juna et al.  
D729,900 S \* 5/2015 Hooper ..... D23/211.1  
D735,049 S \* 7/2015 Cornelius ..... D9/652  
D751,913 S 3/2016 Seecof  
D767,401 S 9/2016 Yourist  
D767,992 S \* 10/2016 Hegarty ..... D9/527  
D781,155 S 3/2017 Hegarty  
9,637,302 B2 \* 5/2017 Kuhar ..... B65D 25/2858  
D808,811 S \* 1/2018 Morris ..... D9/528

D813,043 S \* 3/2018 Higgins ..... D9/528  
D817,769 S \* 5/2018 Hegarty ..... D9/531  
10,252,834 B2 \* 4/2019 Yourist ..... B65D 1/20  
D858,290 S \* 9/2019 Hentges ..... D9/528  
2006/0255000 A1 11/2006 Quintana  
2007/0023384 A1 \* 2/2007 Janeczek ..... B65D 1/12  
215/373  
2007/0023385 A1 \* 2/2007 Janeczek ..... B65D 23/10  
215/398  
2007/0261983 A1 \* 11/2007 Flanagan-Kent .....  
B65D 21/0231  
206/510  
2008/0073317 A1 3/2008 Dygert et al.  
2013/0068764 A1 \* 3/2013 Kuhar ..... B65D 25/2897  
220/23.83  
2014/0027336 A1 1/2014 Bou Mezrag  
2016/0176574 A1 \* 6/2016 Yourist ..... B65D 25/2826  
206/511  
2017/0334601 A1 \* 11/2017 Nenna ..... B29C 45/26  
2018/0362227 A1 \* 12/2018 Scanish ..... B65D 21/0231

FOREIGN PATENT DOCUMENTS

GB 2055053 \* 7/1996  
KR 300913972.0000 \* 7/2017  
KR 300940542.0000 \* 1/2018

OTHER PUBLICATIONS

U.S. Appl. No. 29/492,243 (D. 767,401), filed May 29, 2014 (Sep. 27, 2016).  
U.S. Appl. No. 29/548,960 (D. 794,445), filed Dec. 17, 2015 (Aug. 15, 2017).  
U.S. Appl. No. 29/548,963 (D. 793,859), filed Dec. 17, 2015 (Aug. 8, 2017).  
U.S. Appl. No. 29/492,243, Aug. 24, 2016 Issue Fee Payment.  
U.S. Appl. No. 29/492,243, May 25, 2016 Notice of Allowance.  
U.S. Appl. No. 29/492,243, Apr. 29, 2016 Response after Final Office Action.  
U.S. Appl. No. 29/492,243, Feb. 29, 2016 Final Office Action.  
U.S. Appl. No. 29/492,243, Jan. 22, 2016 Response to Non-Final Office Action.  
U.S. Appl. No. 29/492,243, Oct. 23, 2015 Non-Final Office Action.  
U.S. Appl. No. 29/548,960, Dec. 1, 2016 Non-Final Office Action.  
U.S. Appl. No. 29/548,960, Feb. 28, 2017 Response to Non-Final Office Action.  
U.S. Appl. No. 29/548,960, Mar. 28, 2017 Notice of Allowance.  
U.S. Appl. No. 29/548,960, Jun. 27, 2017 Issue Fee Payment.  
U.S. Appl. No. 29/548,963, Dec. 2, 2016 Non-Final Office Action.  
U.S. Appl. No. 29/548,963, Mar. 1, 2017 Response to Non-Final Office Action.  
U.S. Appl. No. 29/548,963, Mar. 28, 2017 Notice of Allowance.  
U.S. Appl. No. 29/548,963, Jun. 27, 2017 Issue Fee Payment.  
International Search Report and Written Opinion dated Mar. 11, 2016 in International Application No. PCT/US15/66677.

\* cited by examiner



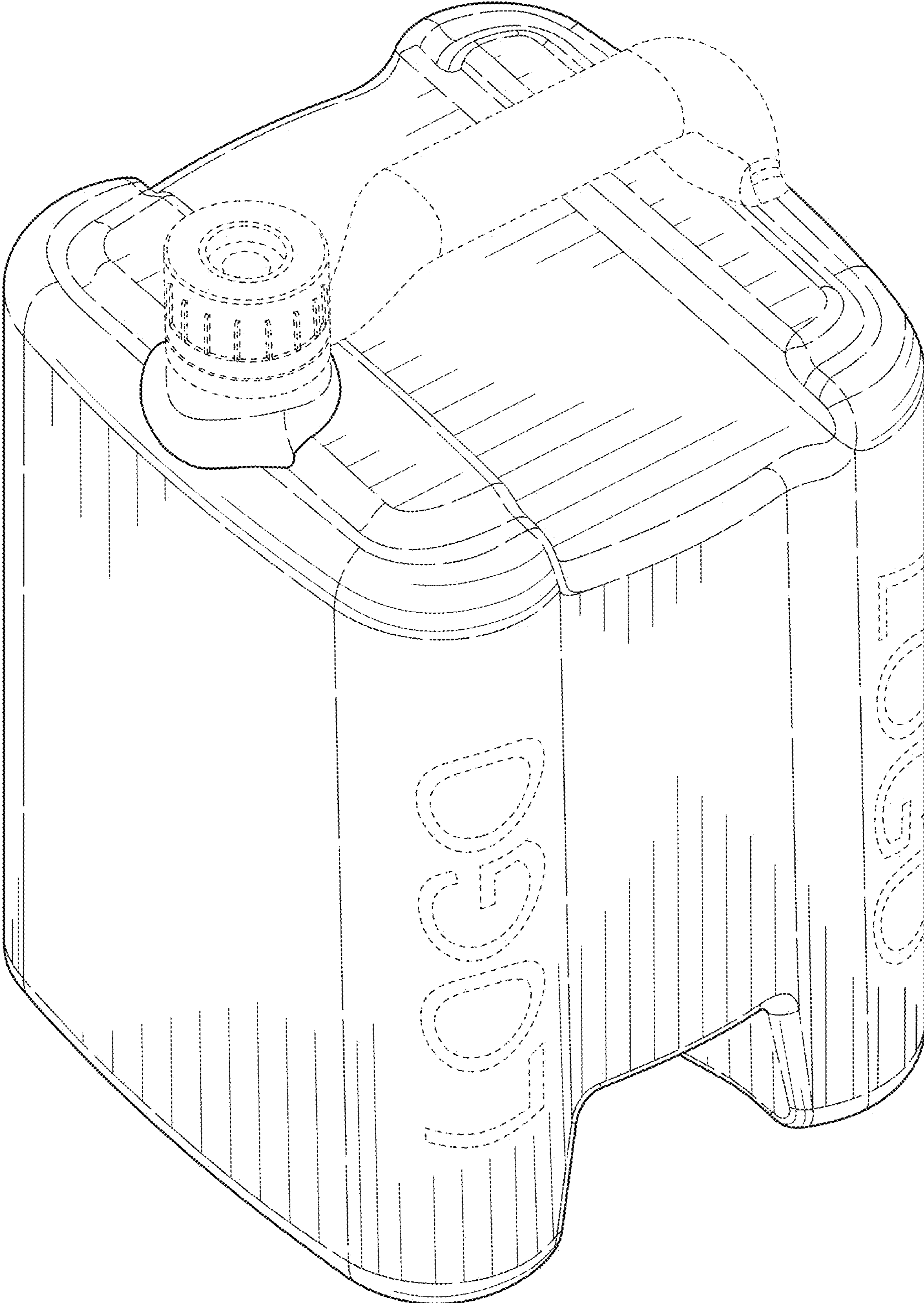


FIG. 1

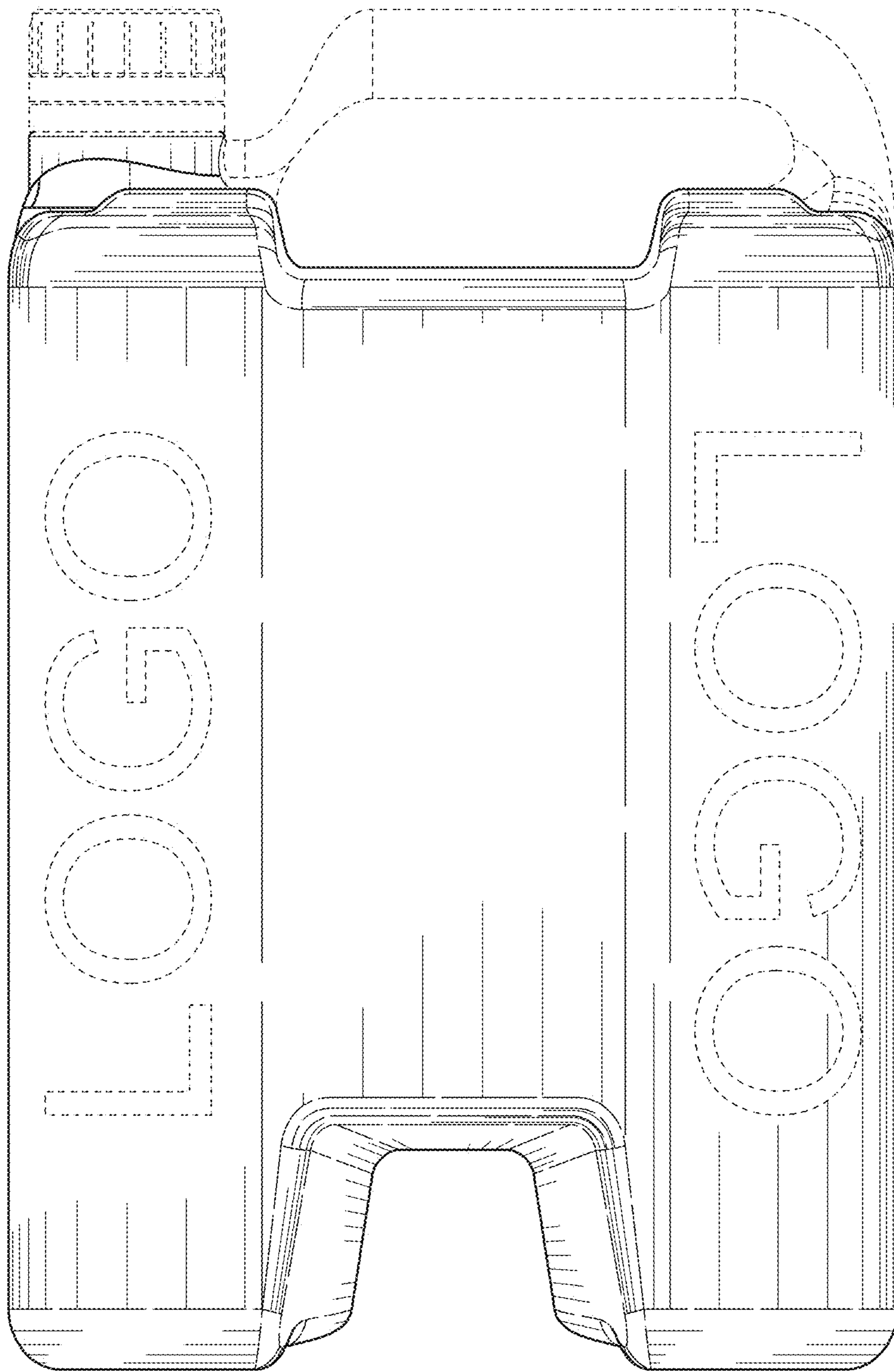


FIG. 2

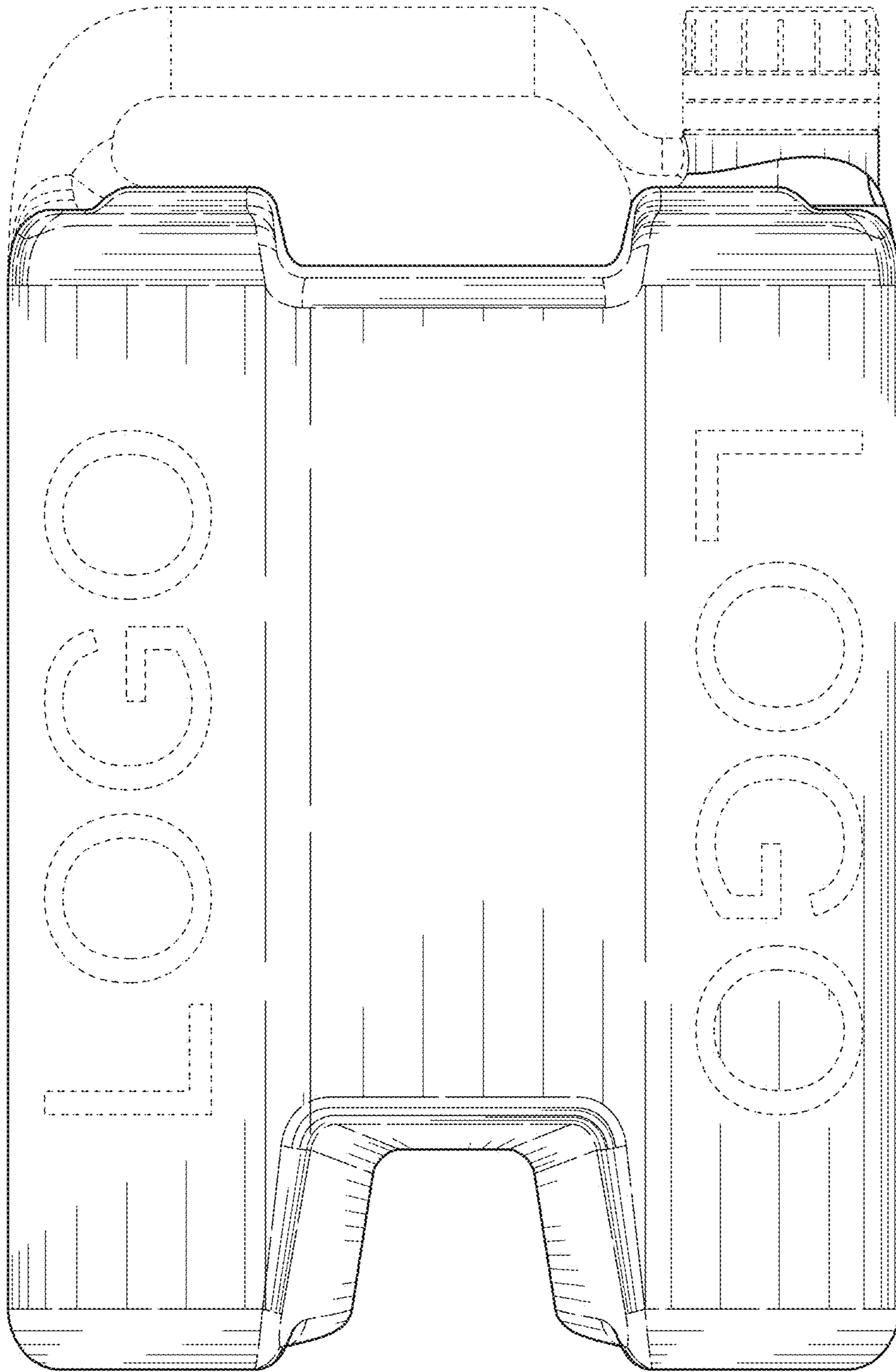


FIG. 3

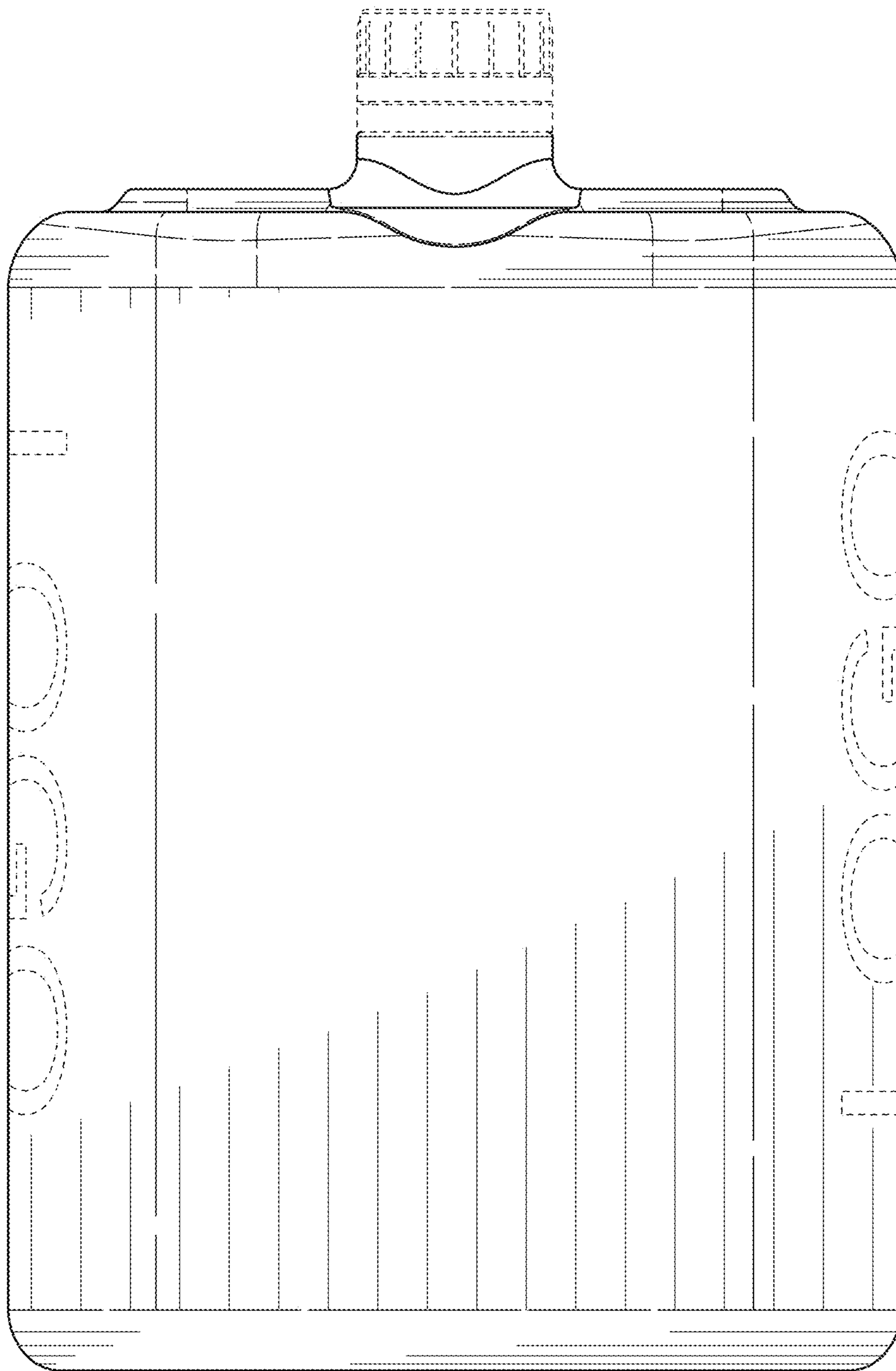


FIG. 4



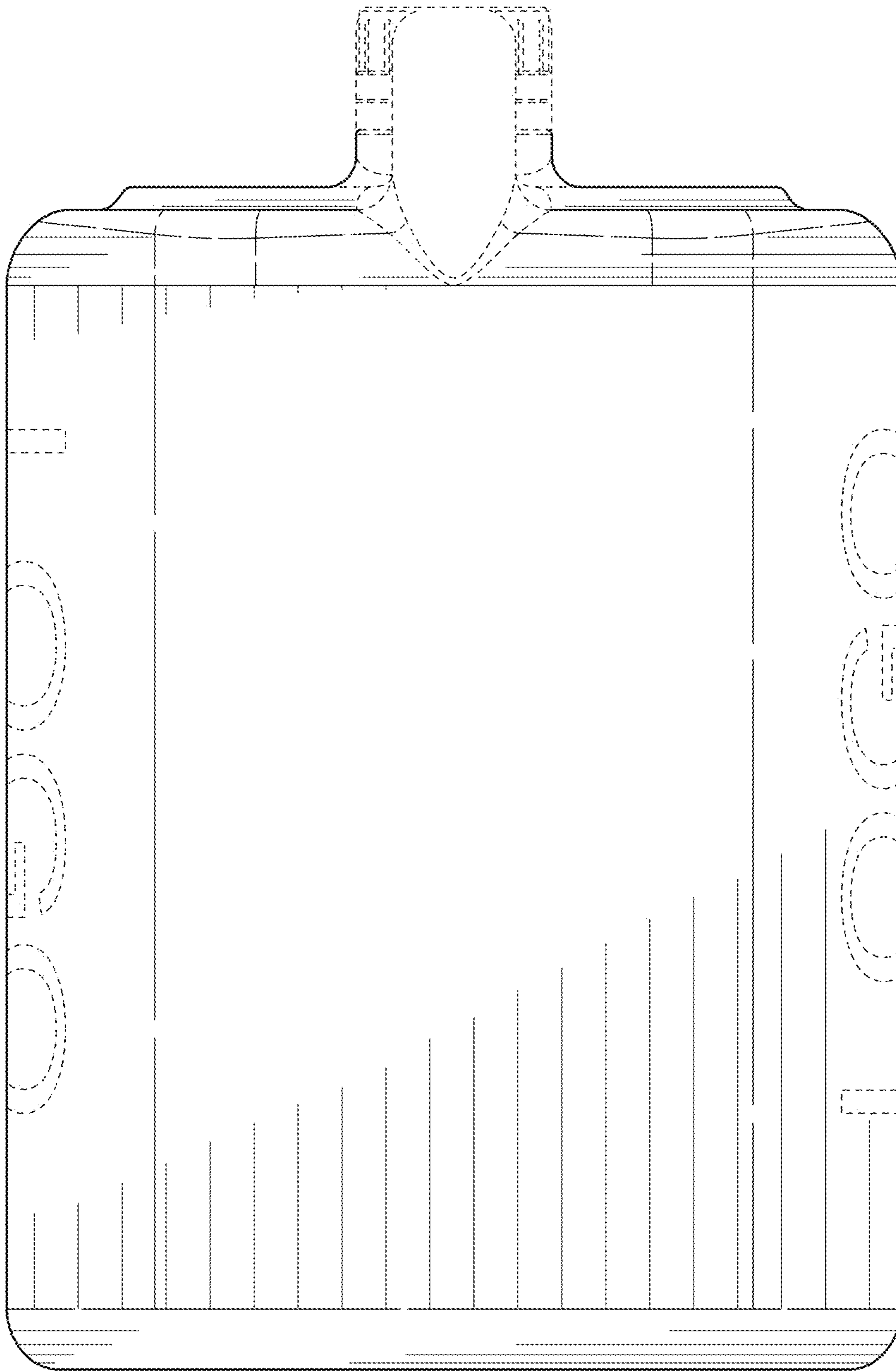


FIG. 5

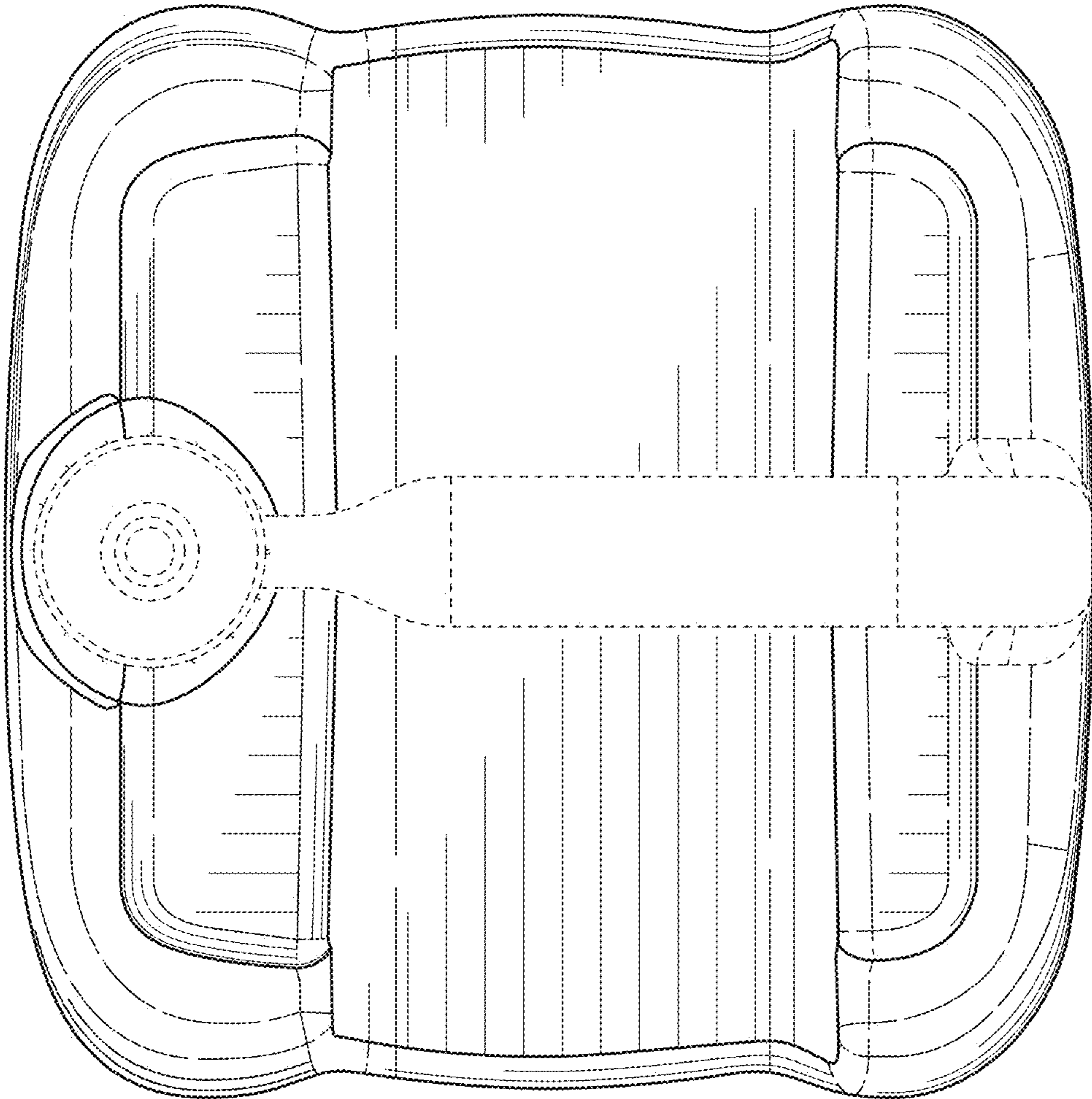


FIG. 6



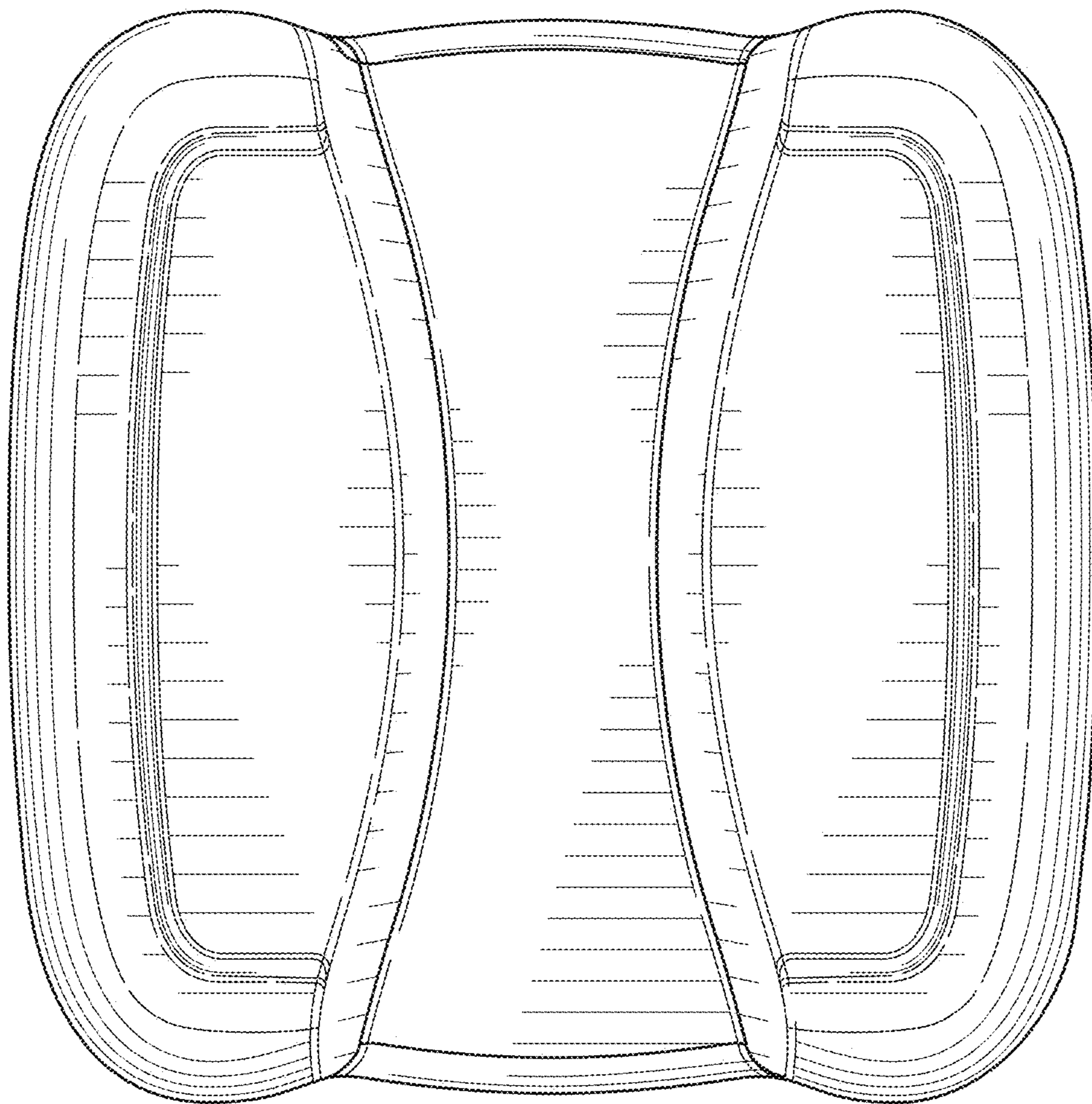


FIG. 7

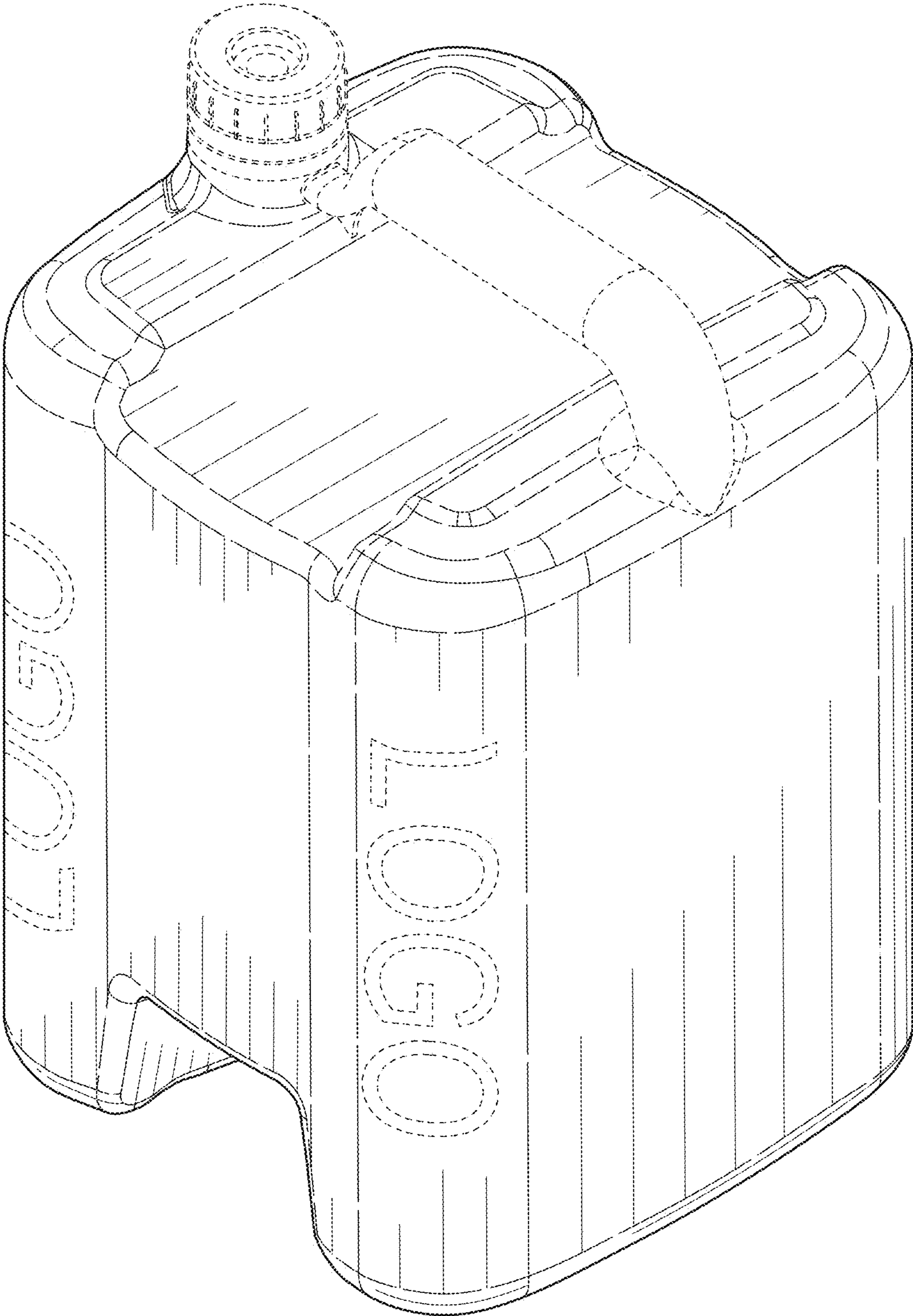


FIG. 8

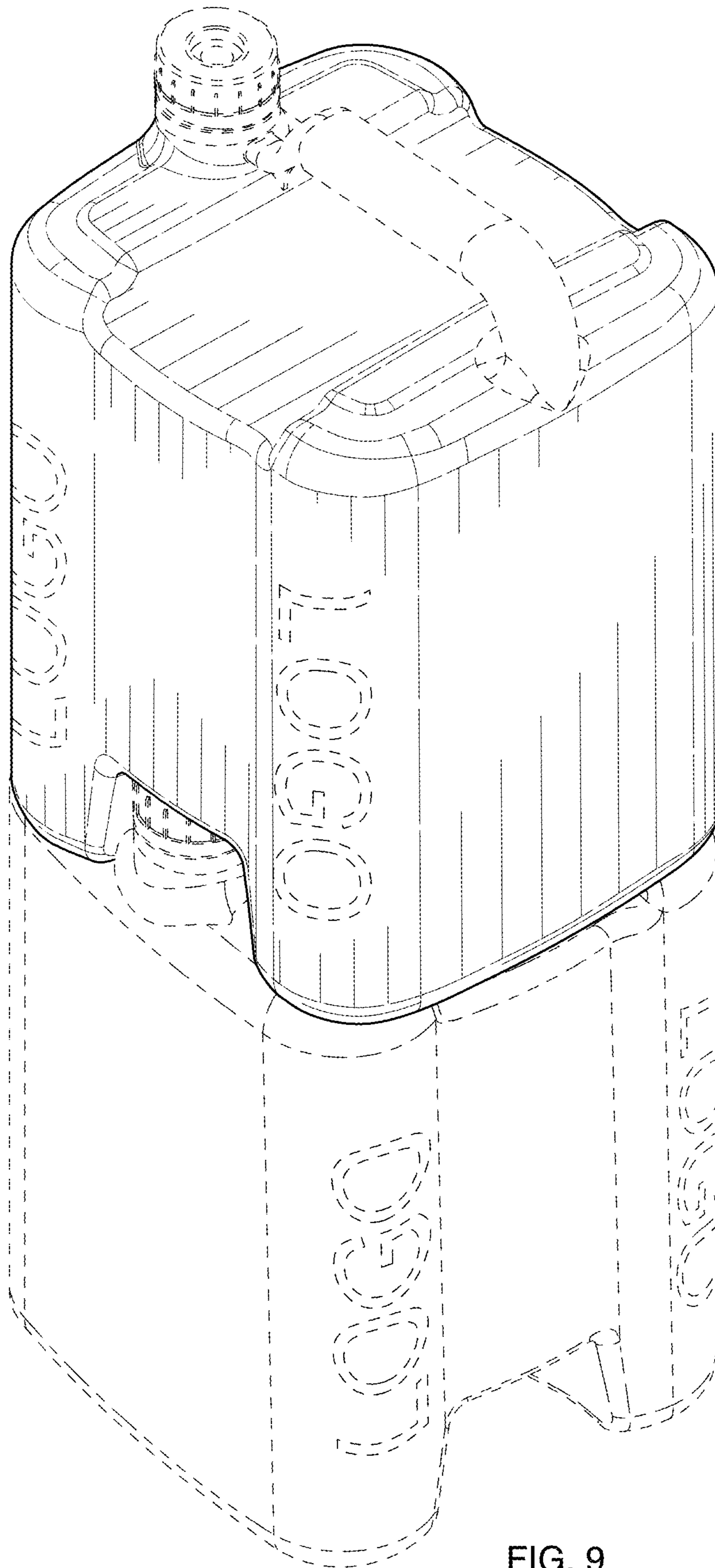


FIG. 9



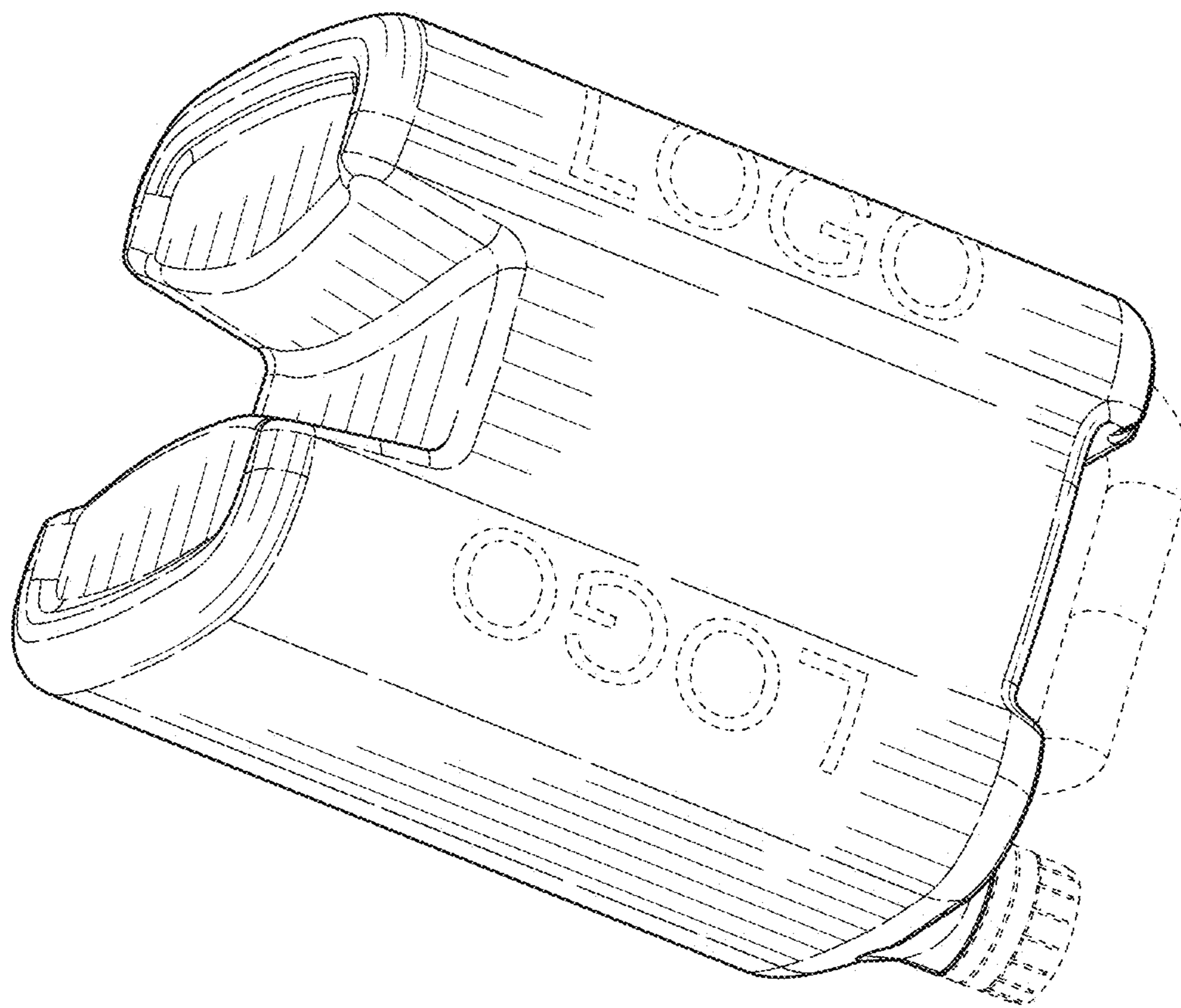


FIG. 10

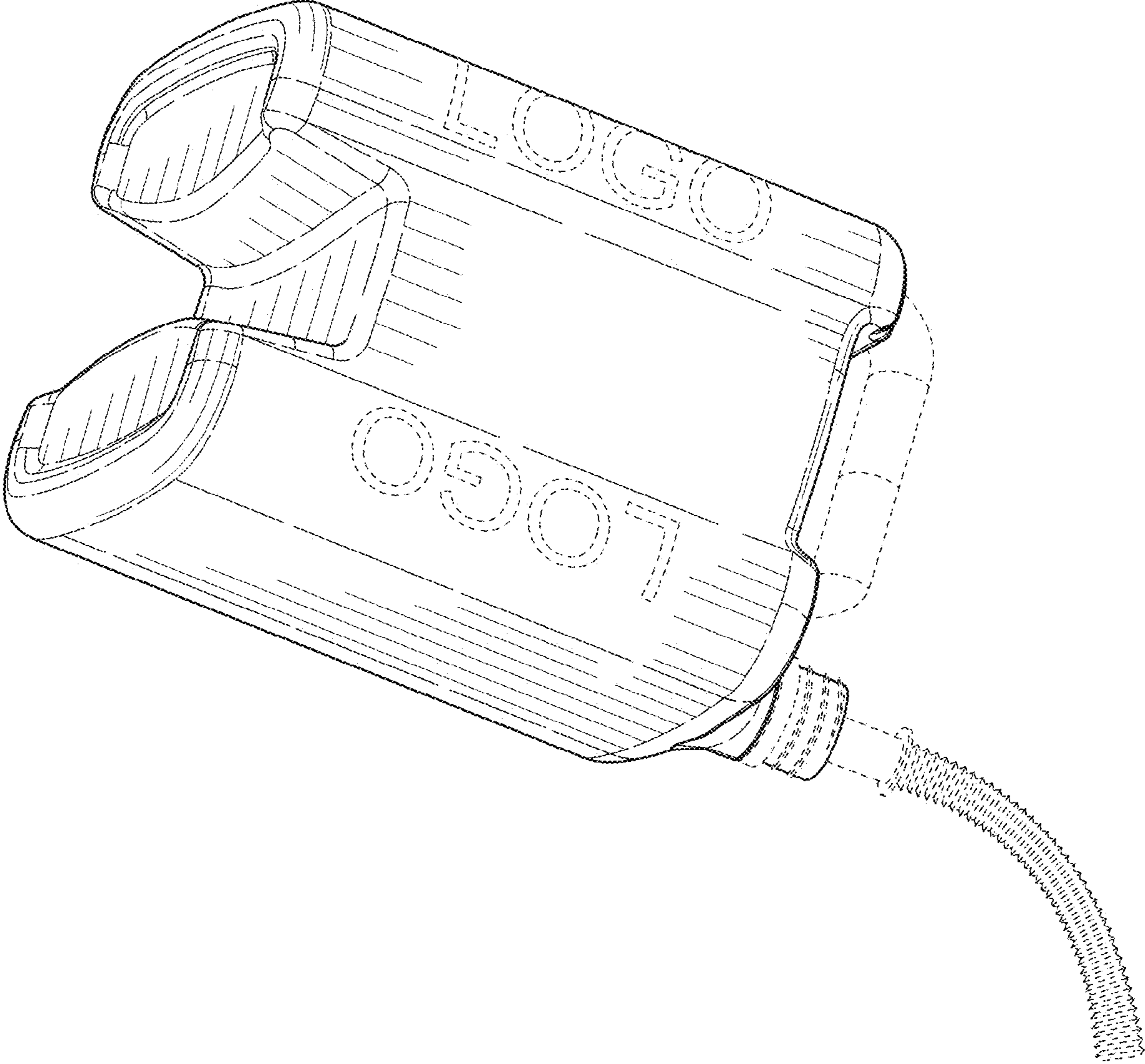


FIG. 11