



US00D918041S

(12) **United States Design Patent**
Huaping

(10) **Patent No.:** **US D918,041 S**

(45) **Date of Patent:** **** May 4, 2021**

(54) **WATER BOTTLE**

FOREIGN PATENT DOCUMENTS

(71) Applicant: **Ningbo Pureza Technology, LLC,**
Ningbo (CN)

AT 7935 U2 0/2005
AT 525 U1 12/1993

(Continued)

(72) Inventor: **Wu Huaping,** Zhejiang (CN)

(73) Assignee: **Ningbo Pureza Technology, LLC,**
Ningbo (CN)

(**) Term: **15 Years**

(21) Appl. No.: **29/725,856**

(22) Filed: **Feb. 27, 2020**

(51) **LOC (13) Cl.** **09-01**

(52) **U.S. Cl.**
USPC **D9/504; D9/521**

(58) **Field of Classification Search**
USPC D9/434–435, 439, 444–445, 454, 500,
D9/503–505, 516, 521, 529, 549, 558,
D9/682, 686, 688–691, 715, 719;
D21/572; D23/205–206, 209, 225, 208;
D24/224

CPC B65D 1/00; B65D 1/02; B65D 1/0223;
B65D 23/00; B65D 51/32; B65D
2501/00; B65D 2501/0009

See application file for complete search history.

(56) **References Cited**

U.S. PATENT DOCUMENTS

632,321 A * 9/1899 Olney A47B 73/00
211/74
D225,972 S * 1/1973 Khetani D9/500
3,847,295 A * 11/1974 Taylor B65D 23/003
215/44
D282,441 S 2/1986 Shiokawa
D311,249 S * 10/1990 Kasai D24/121
D337,797 S * 7/1993 D’Andrade D21/572
D340,750 S * 10/1993 Salmon D21/574
D341,174 S * 11/1993 Salmon D21/572
D341,396 S * 11/1993 Salmon D21/572
D352,875 S * 11/1994 Story D18/18

(Continued)

OTHER PUBLICATIONS

“Whip-it! 50 Pack Whipped Cream Chargers”, Amazon, Date first available: Dec. 2, 2008, retrieved May 26, 2020. 4 pages, <
<https://www.amazon.com/Whip-Pack-Whipped-Cream-Chargers/dp/B001MUJHKG> >.*

Primary Examiner — Dana Meyrow

(74) *Attorney, Agent, or Firm* — Fish IP Law, LLP

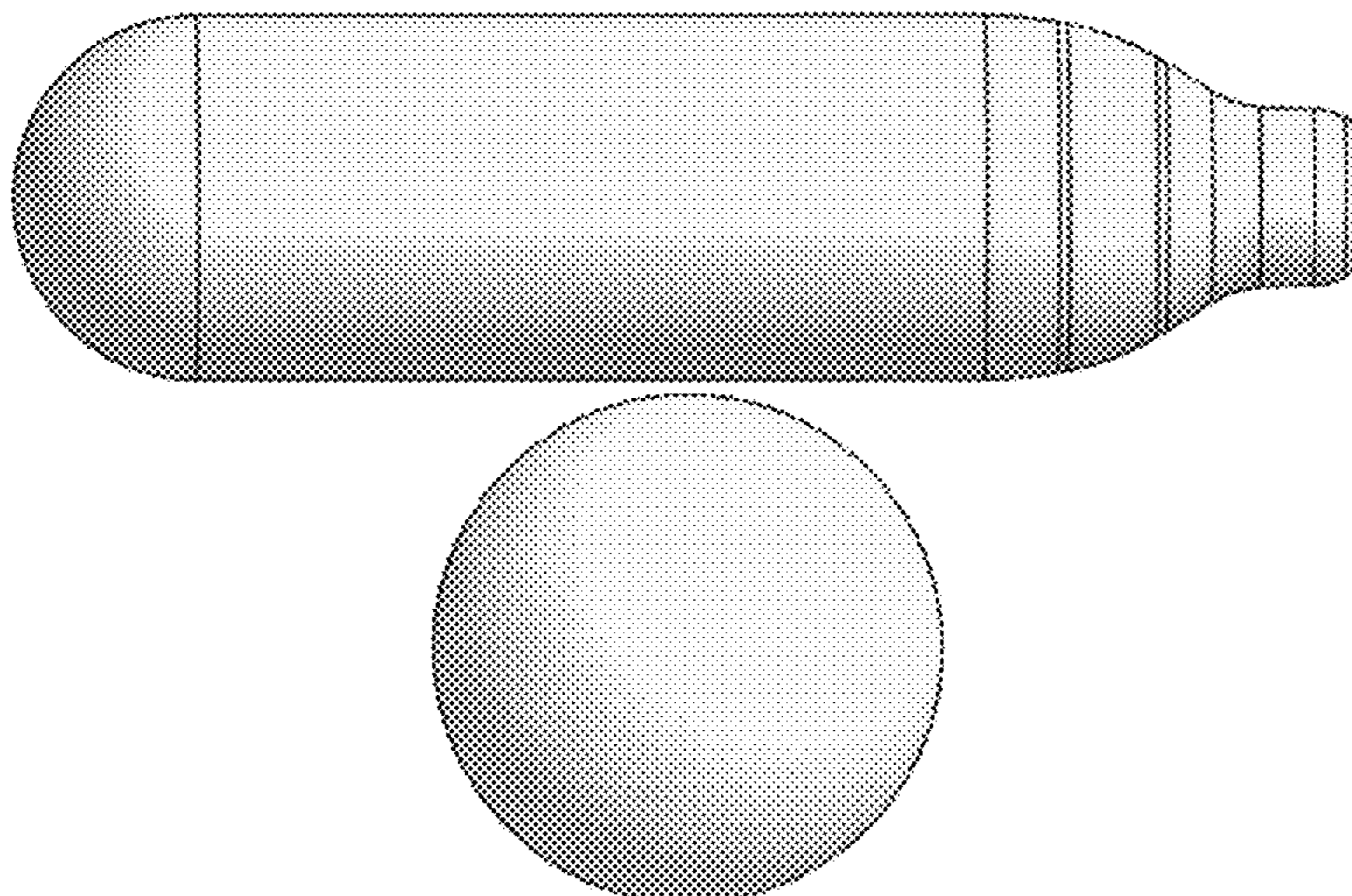
(57) **CLAIM**

The ornamental design of a water bottle, as shown and described.

DESCRIPTION

FIG. 1 is a top, front, right side perspective view of a water bottle showing my new design;
FIG. 2 is a front elevation view thereof;
FIG. 3 is a back elevation view thereof;
FIG. 4 is a right side elevation view thereof;
FIG. 5 is a left side elevation view thereof;
FIG. 6 is a top, back, left side perspective view thereof;
FIG. 7 is a top, back, right side perspective view thereof;
FIG. 8 is a top, front, left side perspective view thereof;
FIG. 9 is a bottom, back, left side perspective view thereof;
FIG. 10 is a bottom, back, right side perspective view thereof;
FIG. 11 is a bottom, front, left side perspective view thereof;
and,
FIG. 12 is a bottom, front, right side perspective view thereof.

1 Claim, 9 Drawing Sheets



(56)

References Cited

U.S. PATENT DOCUMENTS

D427,251 S * 6/2000 D'Andrade D21/572
 D427,964 S * 7/2000 Smith D13/103
 D466,819 S 12/2002 Darr et al.
 6,491,187 B2 * 12/2002 Walters C07D 407/12
 222/185.1
 D536,617 S 2/2007 Cote
 D551,081 S 9/2007 Ohara et al.
 D555,978 S 11/2007 Falkenstein et al.
 D571,214 S 6/2008 Caszatt
 D574,711 S * 8/2008 Lederman D9/500
 D611,817 S * 3/2010 Simmons D9/449
 D615,362 S * 5/2010 Handel D7/510
 D617,644 S * 6/2010 Leventhal D9/517
 D618,103 S * 6/2010 Leventhal D9/517
 D619,897 S 7/2010 Amen
 D623,523 S 9/2010 Toh et al.
 D630,946 S 1/2011 Crawford
 D632,574 S * 2/2011 Huntington D9/443
 D645,709 S 9/2011 Endo
 D652,725 S 1/2012 Snyder et al.
 D654,752 S 2/2012 Krasner
 D660,709 S 5/2012 McMahon et al.
 D700,056 S 2/2014 Crawford
 D724,895 S 3/2015 Kawase et al.
 D727,685 S 4/2015 He
 D748,480 S 2/2016 Cobb
 D748,482 S 2/2016 Darr
 D758,526 S * 6/2016 Quail D23/205
 D760,592 S 7/2016 Charnley
 D762,121 S 7/2016 Druart
 D780,584 S 3/2017 Lang et al.
 D783,406 S 4/2017 Melrose et al.
 D783,410 S * 4/2017 Bertaux D9/690
 D789,791 S 6/2017 Hill

D790,279 S 6/2017 Izen et al.
 D801,815 S 11/2017 Mount, III et al.
 D830,178 S * 10/2018 Prater D9/503
 D832,650 S 11/2018 Diebel et al.
 D834,420 S * 11/2018 Harris D9/500
 D837,057 S 1/2019 Zhou
 D841,469 S * 2/2019 Christianson D9/503
 D851,996 S 6/2019 Umholtz
 D853,194 S 7/2019 Ke
 D856,087 S 8/2019 Adams, Jr. et al.
 D857,506 S * 8/2019 Christianson D9/503
 D857,518 S * 8/2019 Christianson D9/690
 D861,258 S 9/2019 Liang
 D865,119 S * 10/2019 An D23/209
 D866,335 S 11/2019 Klok et al.
 D871,220 S 12/2019 Marantis et al.
 D873,146 S 1/2020 Nechita
 D874,297 S 2/2020 Nabeta et al.
 D894,598 S * 9/2020 Applegate D3/272
 D898,575 S * 10/2020 Tanchette D9/503

FOREIGN PATENT DOCUMENTS

AT 2253 U1 7/1998
 AT 2785 U1 4/1999
 AT 7646 U2 7/2005
 AT 9048 U1 4/2007
 AT 16470 U1 10/2019
 AU 6487698 A3 5/1998
 AU 338747 S 7/2011
 AU 1495317 S 4/2017
 AU 1214317 S 8/2017
 AU 1664917 S 11/2017
 BR MU6801351 U 6/1988
 BR MU7101477 U 2/1993
 BR MU8403157 U 8/2006

* cited by examiner

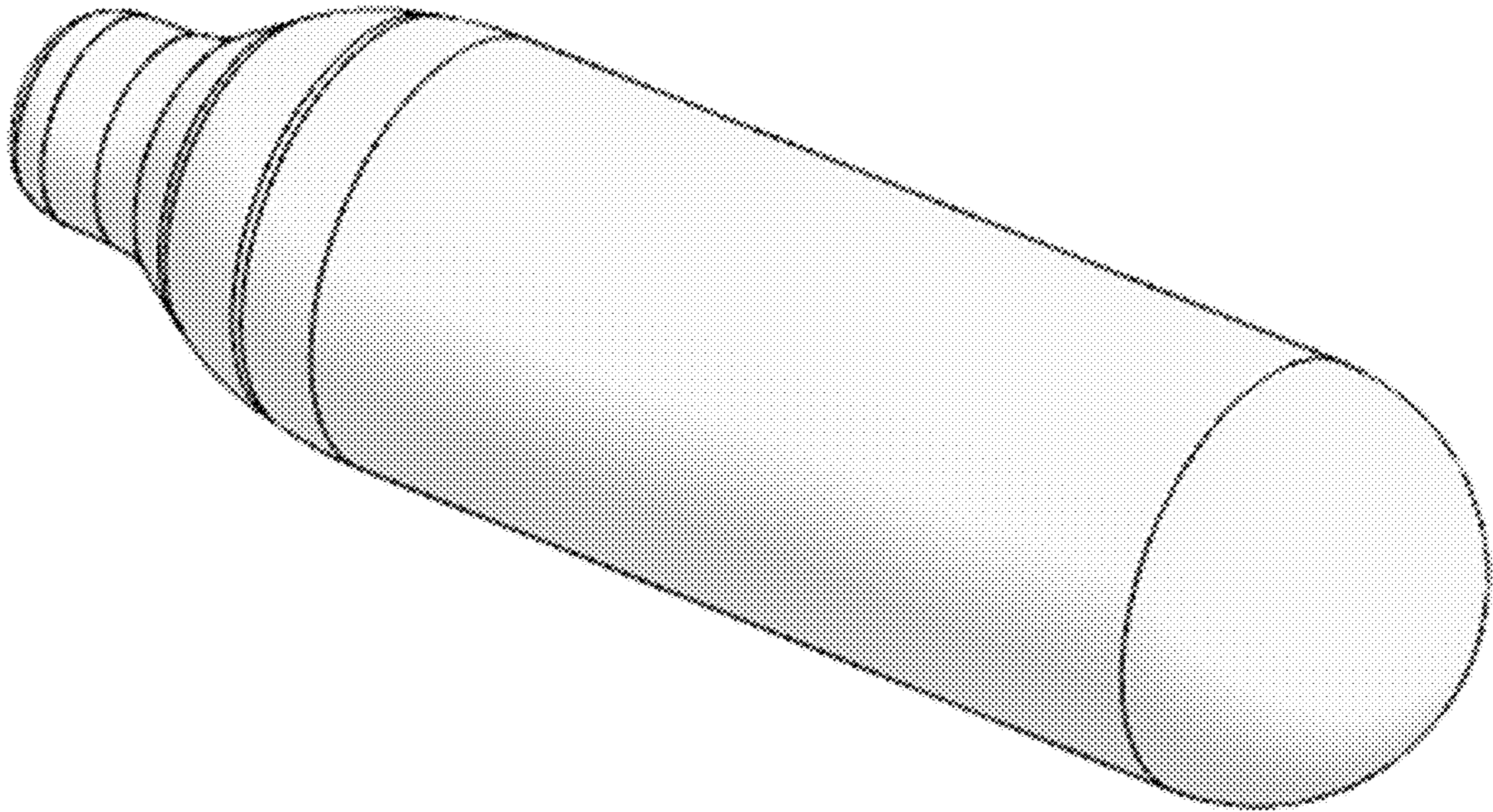


Figure 1

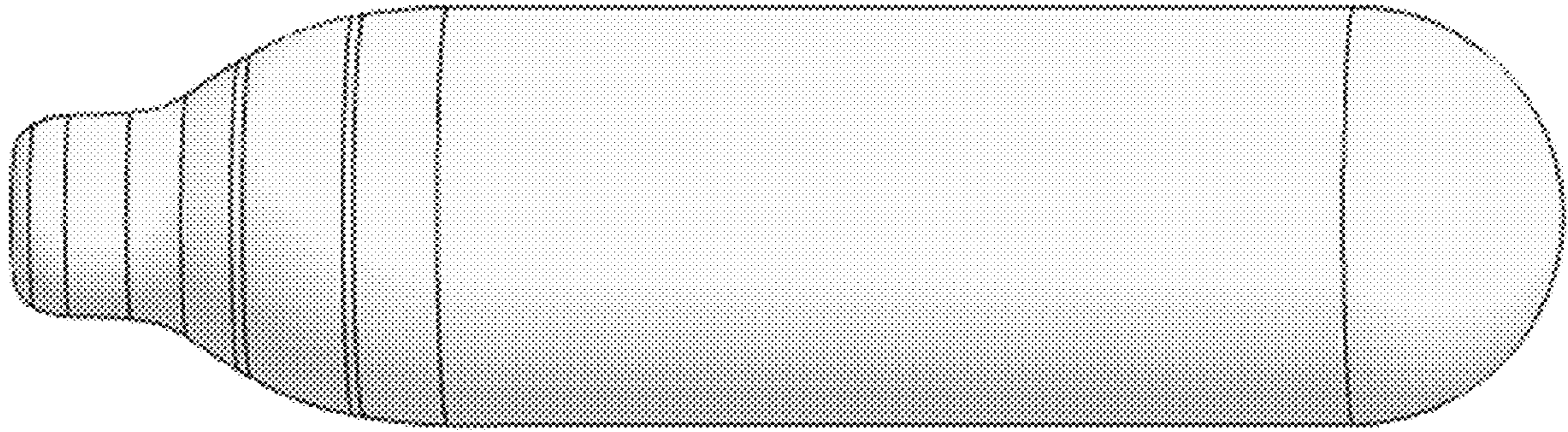


Figure 2

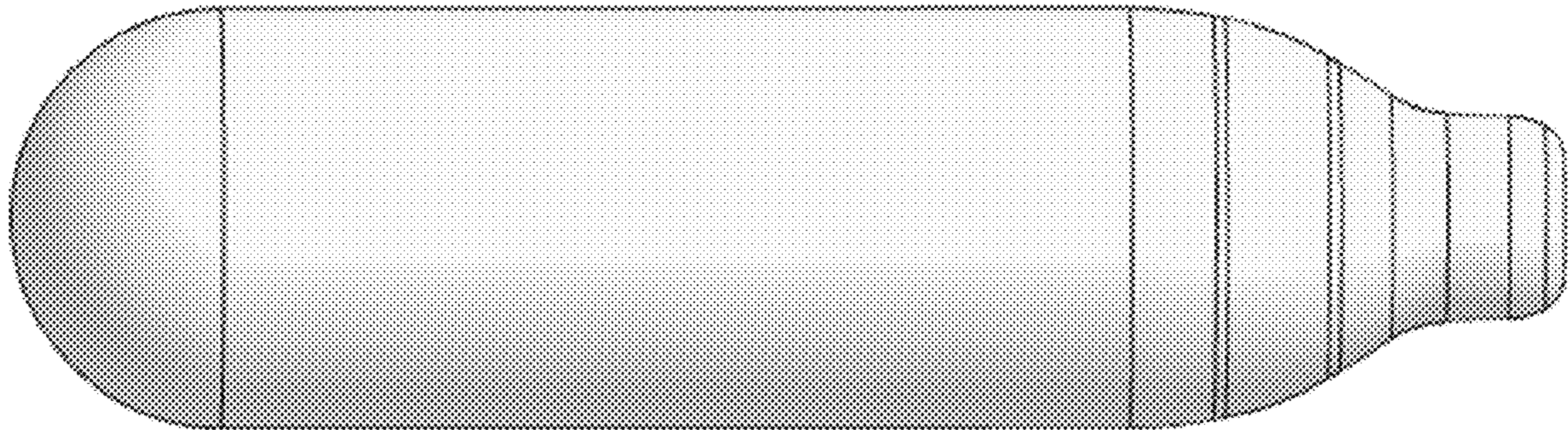


Figure 3

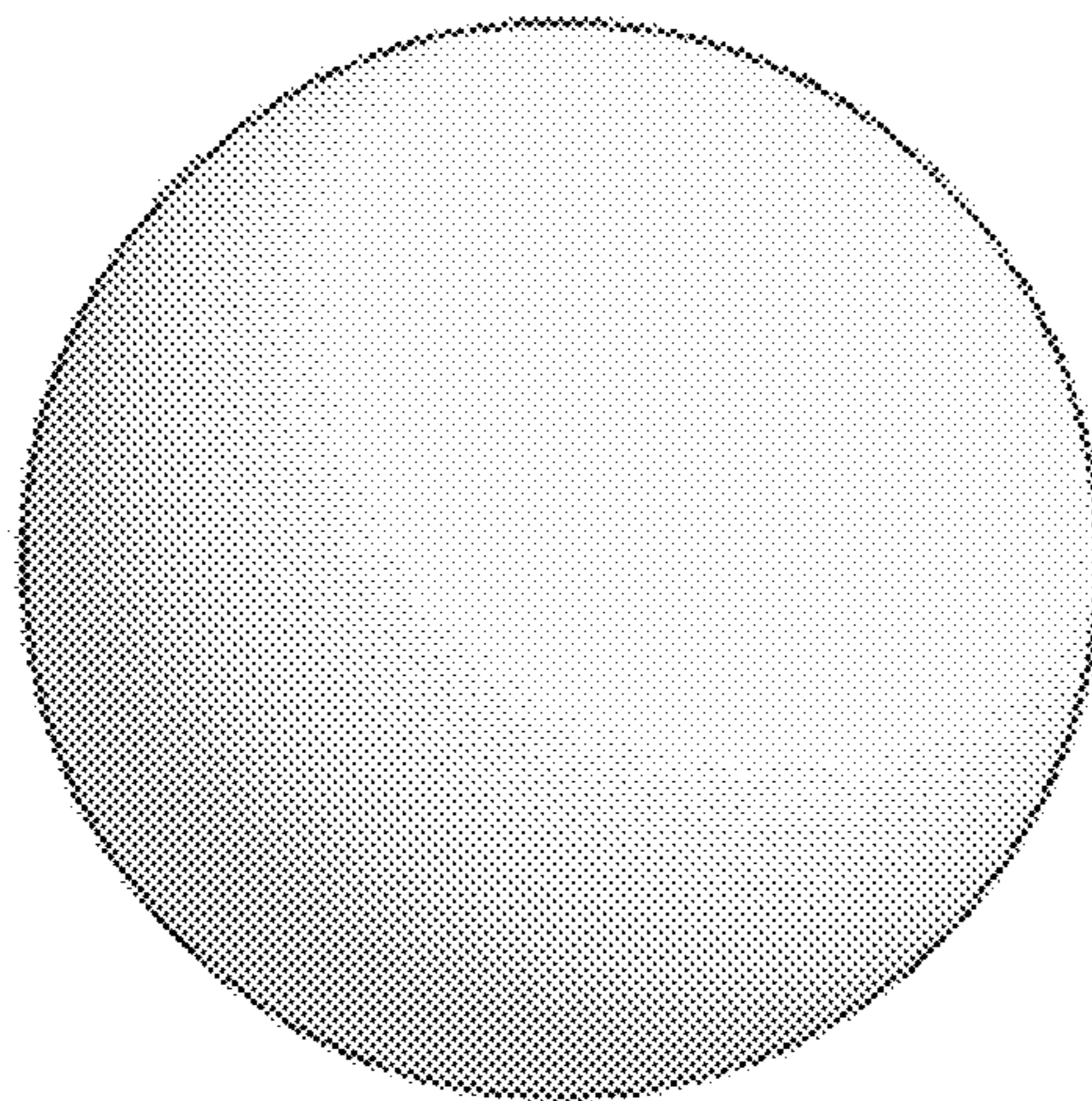


Figure 4

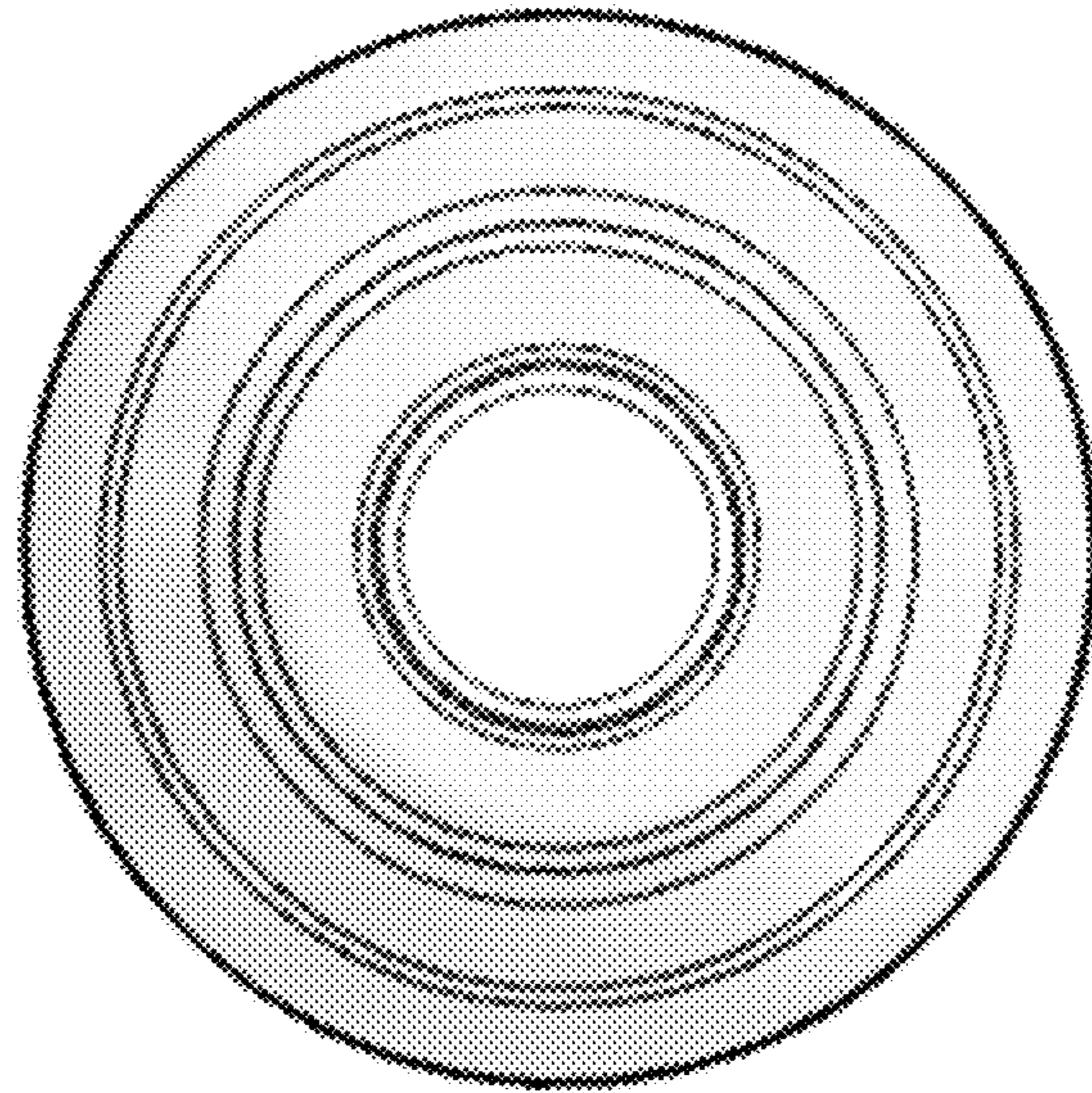


Figure 5

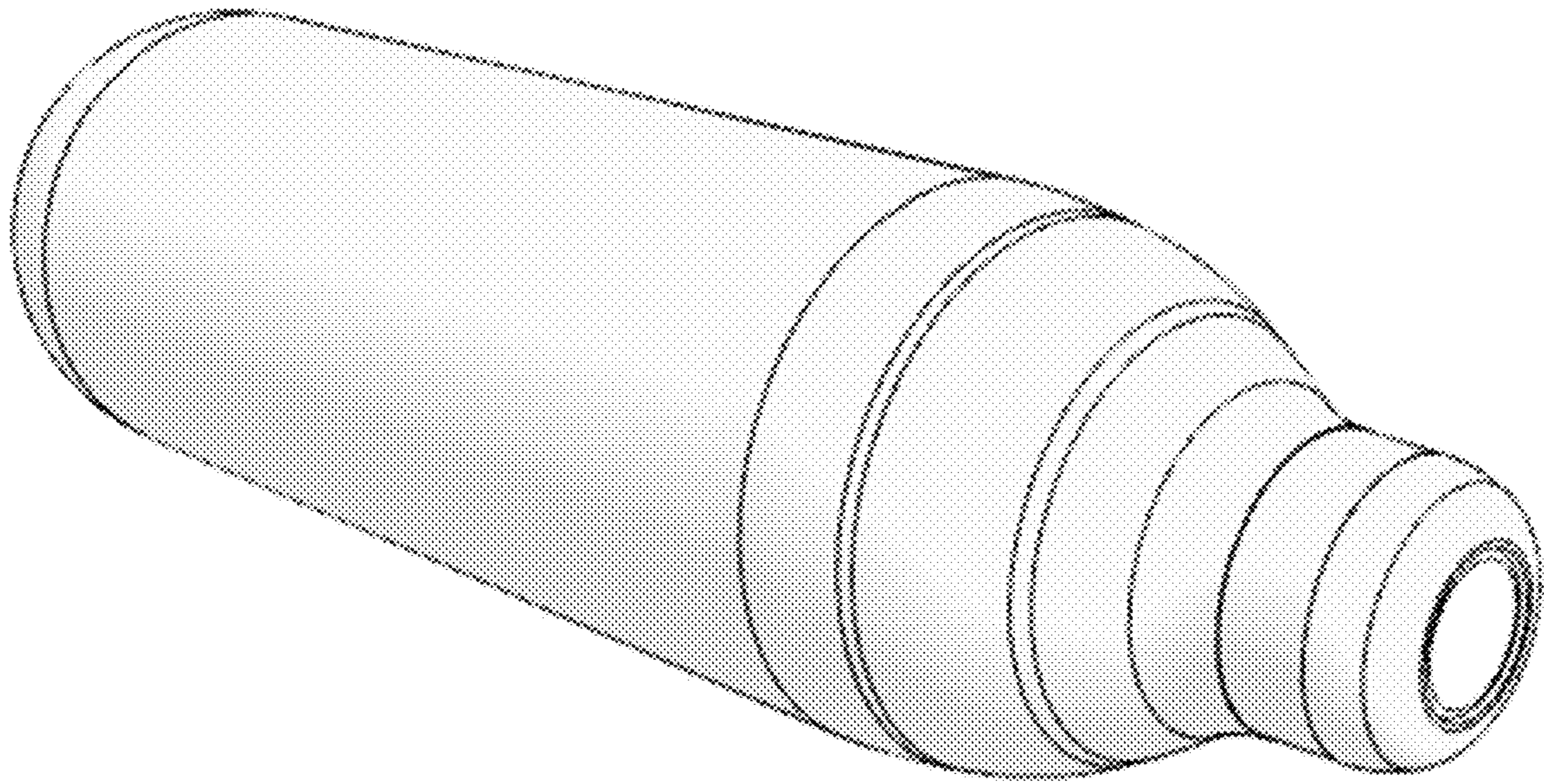


Figure 6

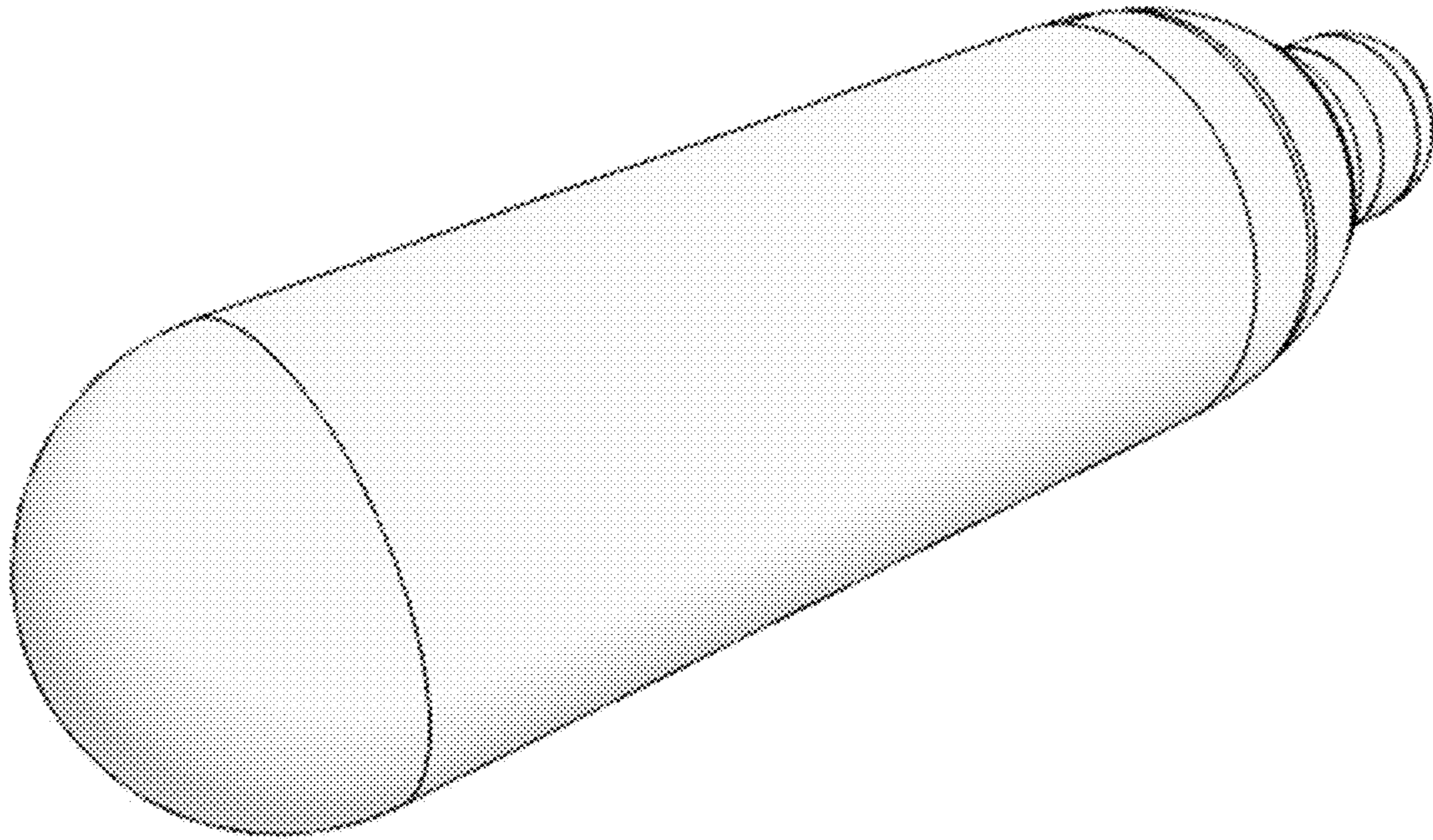


Figure 7

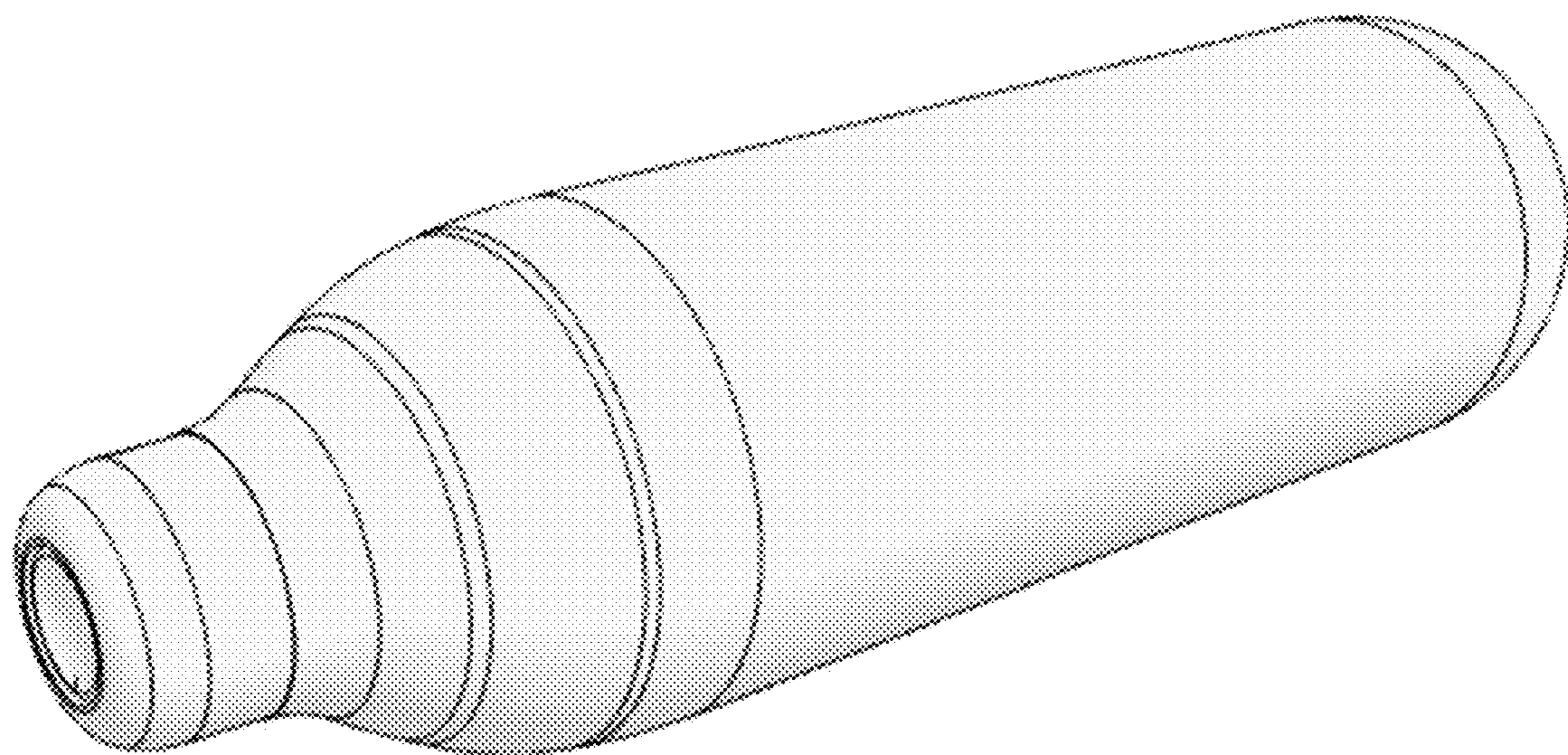


Figure 8

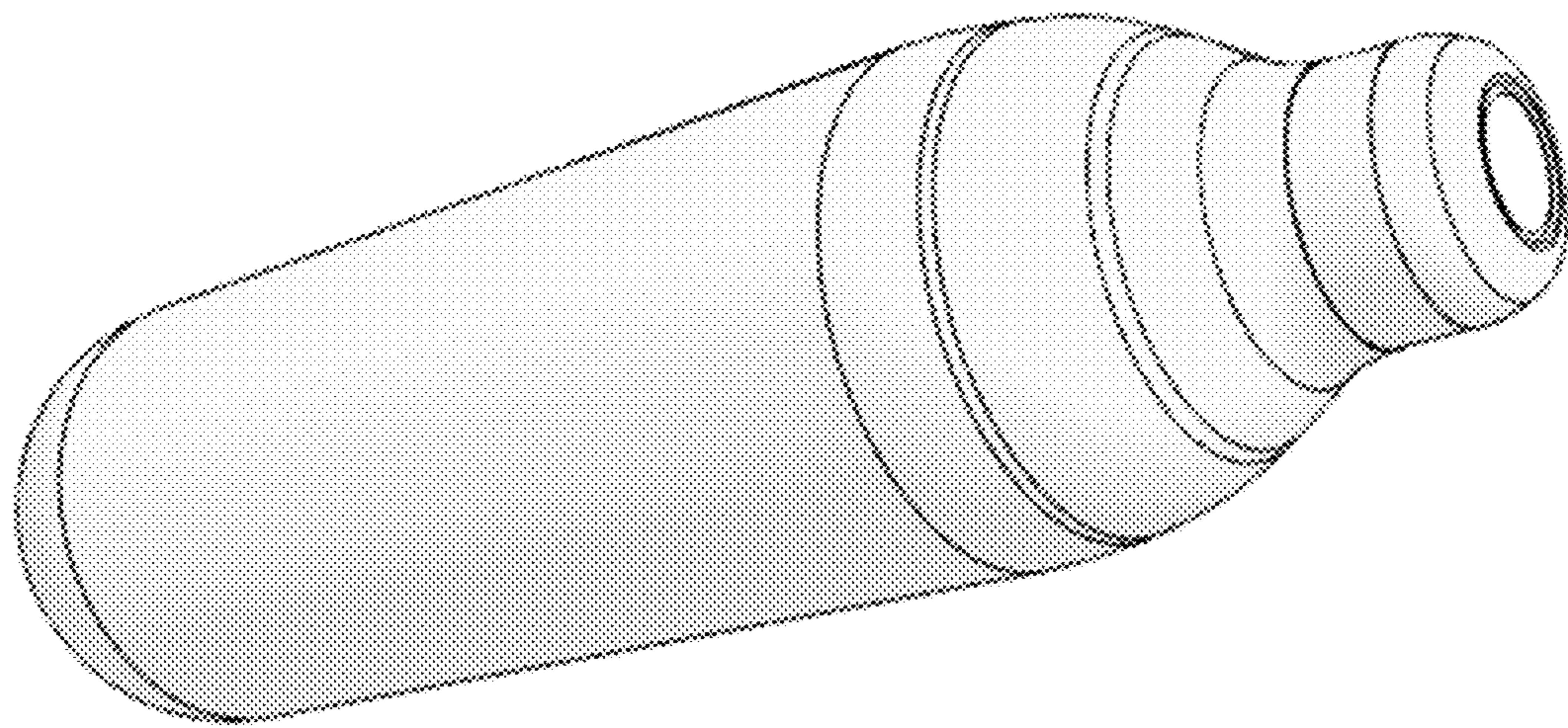


Figure 9

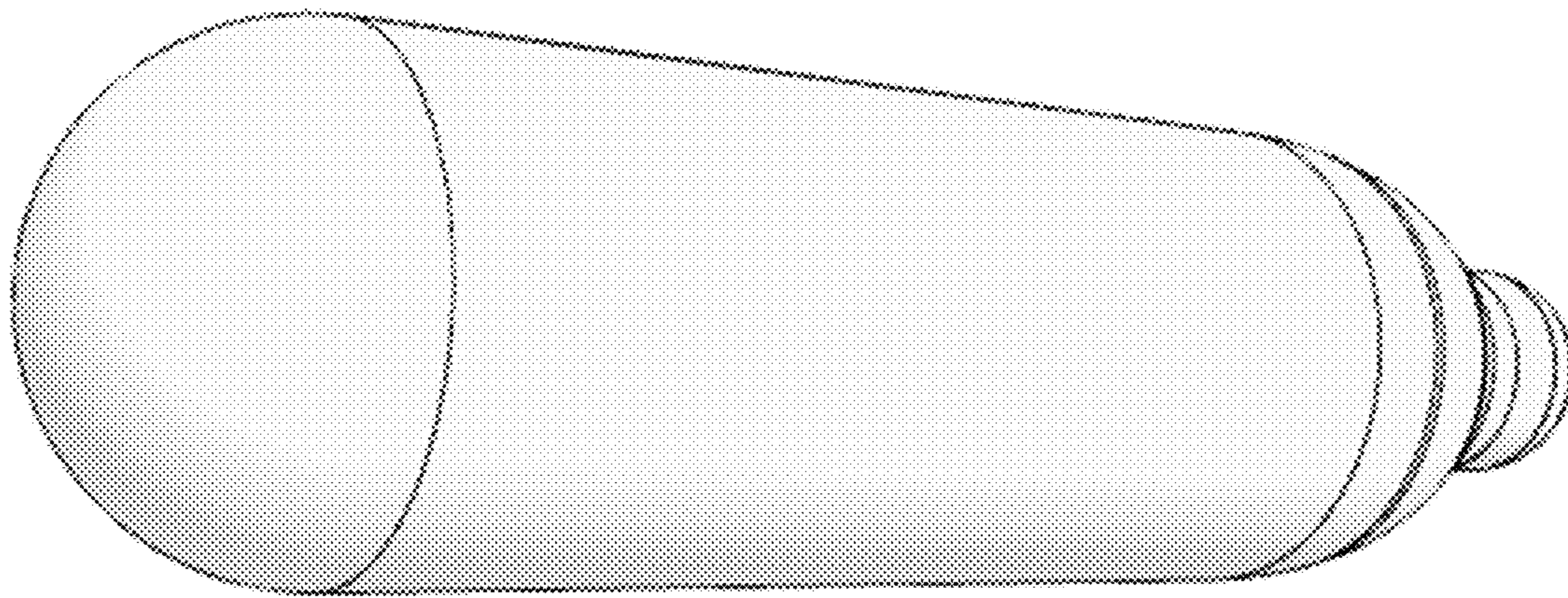


Figure 10

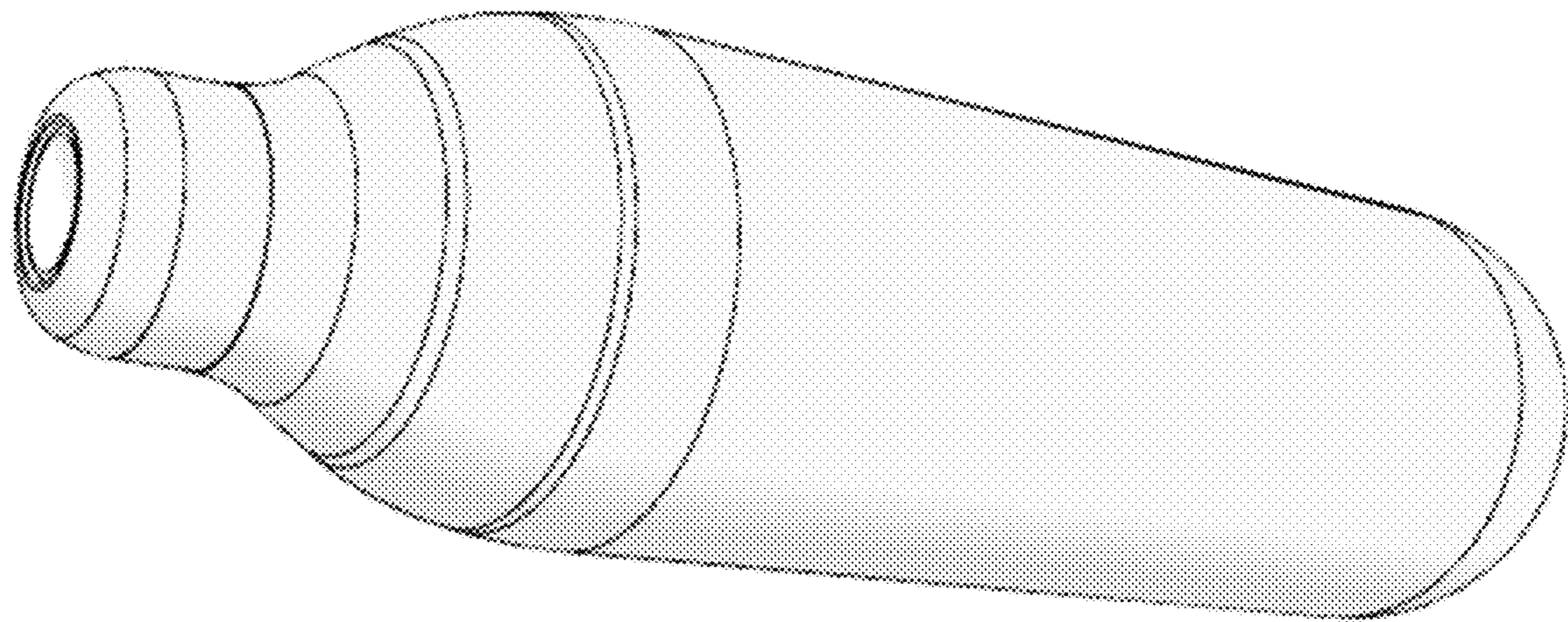


Figure 11

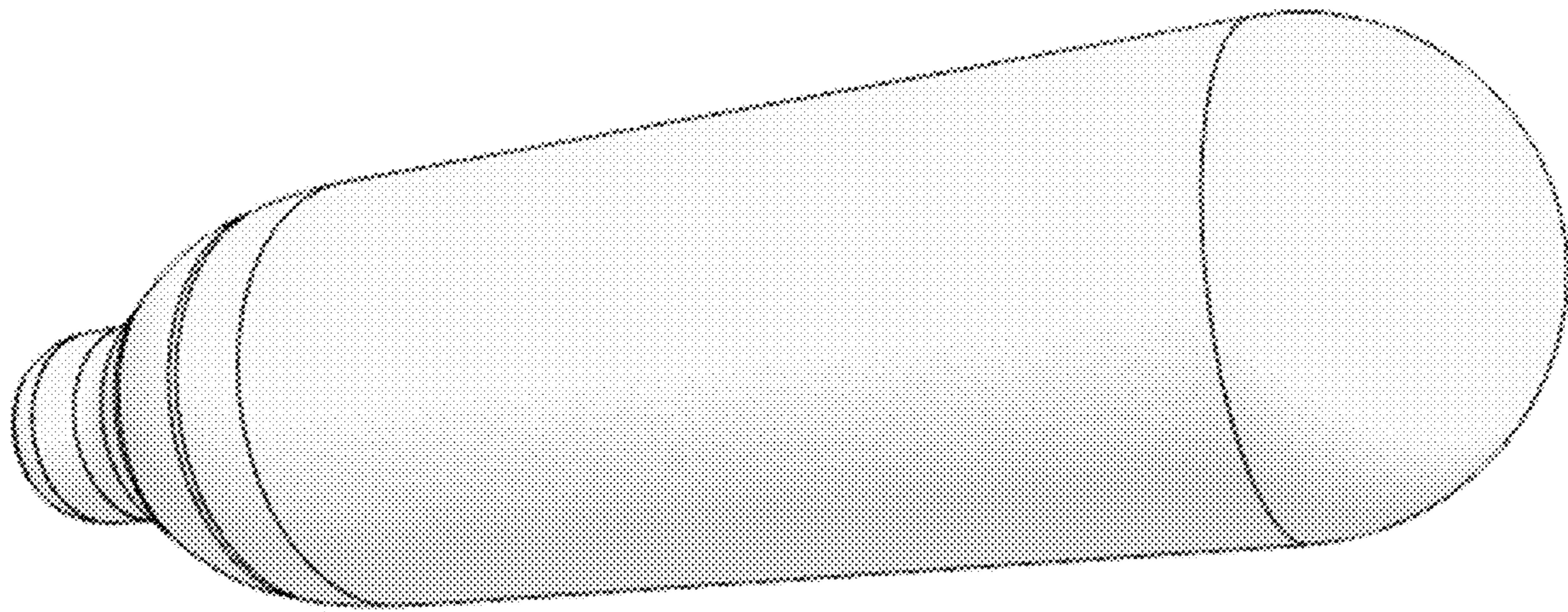


Figure 12