



US00D918037S

(12) **United States Design Patent** (10) **Patent No.:** **US D918,037 S**
Brasher (45) **Date of Patent:** **** May 4, 2021**

- (54) **SHOE BOX**
- (71) Applicant: **travisMathew, LLC**, Huntington Beach, CA (US)
- (72) Inventor: **Travis Brasher**, Huntington Beach, CA (US)
- (73) Assignee: **travisMathew, LLC**, Huntington Beach, CA (US)
- (**) Term: **15 Years**
- (21) Appl. No.: **29/695,347**
- (22) Filed: **Jun. 18, 2019**
- (51) **LOC (13) Cl.** **09-03**
- (52) **U.S. Cl.**
USPC **D9/432**
- (58) **Field of Classification Search**
USPC D9/414-423, 430-433, 434, 455, 456,
D9/721-722, 737, 756, 758, 759, 760;
D8/403
CPC ... B65D 5/00; B65D 5/02; B65D 5/18; B65D
5/20
See application file for complete search history.

D747,186 S * 1/2016 Palmer D9/416
 D799,149 S * 10/2017 Chafetz D99/28
 2006/0231602 A1* 10/2006 Mu B65D 5/38
 229/125.015

OTHER PUBLICATIONS

Corrugated Paper Drawer type shoe box. [online] Retrieved Aug. 14, 2020 from URL: <http://www.sunrichprinting.com/sale-8180426-corrugated-paper-drawer-type-shoe-box.html>.*

Custom Sliding Cardboard Shoe Box Drawer. [online] Retrieved Aug. 14, 2020 from URL: https://www.alibaba.com/product-detail/Custom-Sliding-Cardboard-Shoe-Box-Drawer_60729020780.html.*

Cardboard Packaging Paper Black Shoe Box. [online] Retrieved Aug. 14, 2020 from URL: https://www.alibaba.com/product-detail/Wholesale-Luxury-Custom-Logo-Cardboard-Packaging_662851474.html.*

* cited by examiner

Primary Examiner — Vy N Koenig
 (74) *Attorney, Agent, or Firm* — Sonia Lari; Rebecca Hanovice; Michael Catania

(57) **CLAIM**

I claim the ornamental design for a shoe box, as shown and described.

(56) **References Cited**

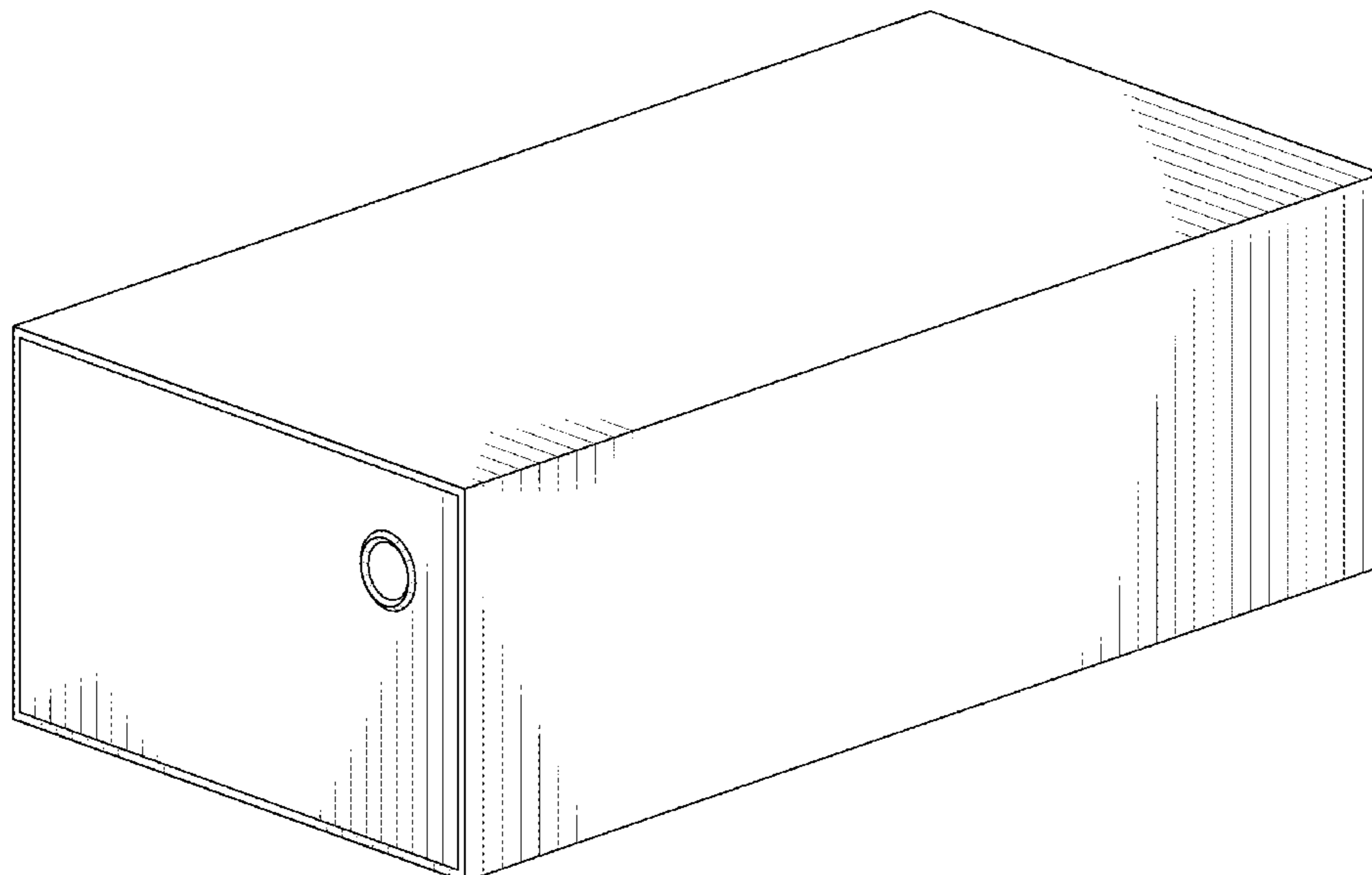
U.S. PATENT DOCUMENTS

- 748,020 A * 12/1903 Runtz B65D 5/02
229/126
- 1,162,840 A * 12/1915 Wood B65D 5/38
229/125.125
- D380,926 S * 7/1997 Goodburn D6/632
- D511,091 S * 11/2005 Liwag D3/304
- D542,131 S * 5/2007 Egawa D9/432
- 7,249,674 B2 * 7/2007 Mu B65D 5/38
206/213
- D590,248 S * 4/2009 Mu D9/415
- D675,020 S * 1/2013 Mu D3/302
- D729,060 S * 5/2015 Trombetta D9/432

DESCRIPTION

FIG. 1 is a side perspective view of the shoe box claimed herein;
 FIG. 2 is a front elevational view thereof;
 FIG. 3 is a rear elevational view thereof;
 FIG. 4 is a left side plan view thereof;
 FIG. 5 is a right side elevational view thereof;
 FIG. 6 is a bottom plan view thereof; and,
 FIG. 7 is a top plan view thereof.

1 Claim, 5 Drawing Sheets



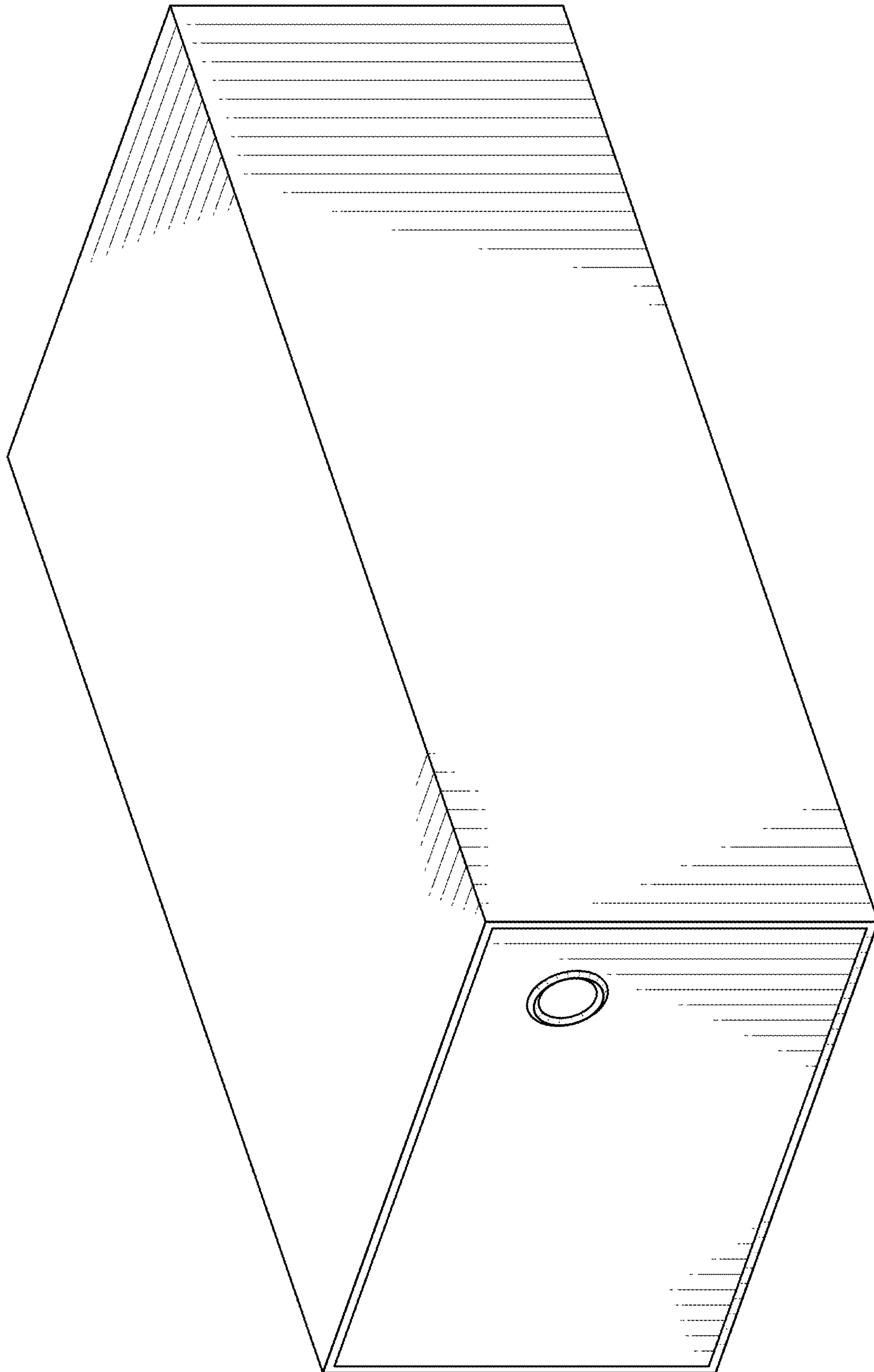


FIG. 1

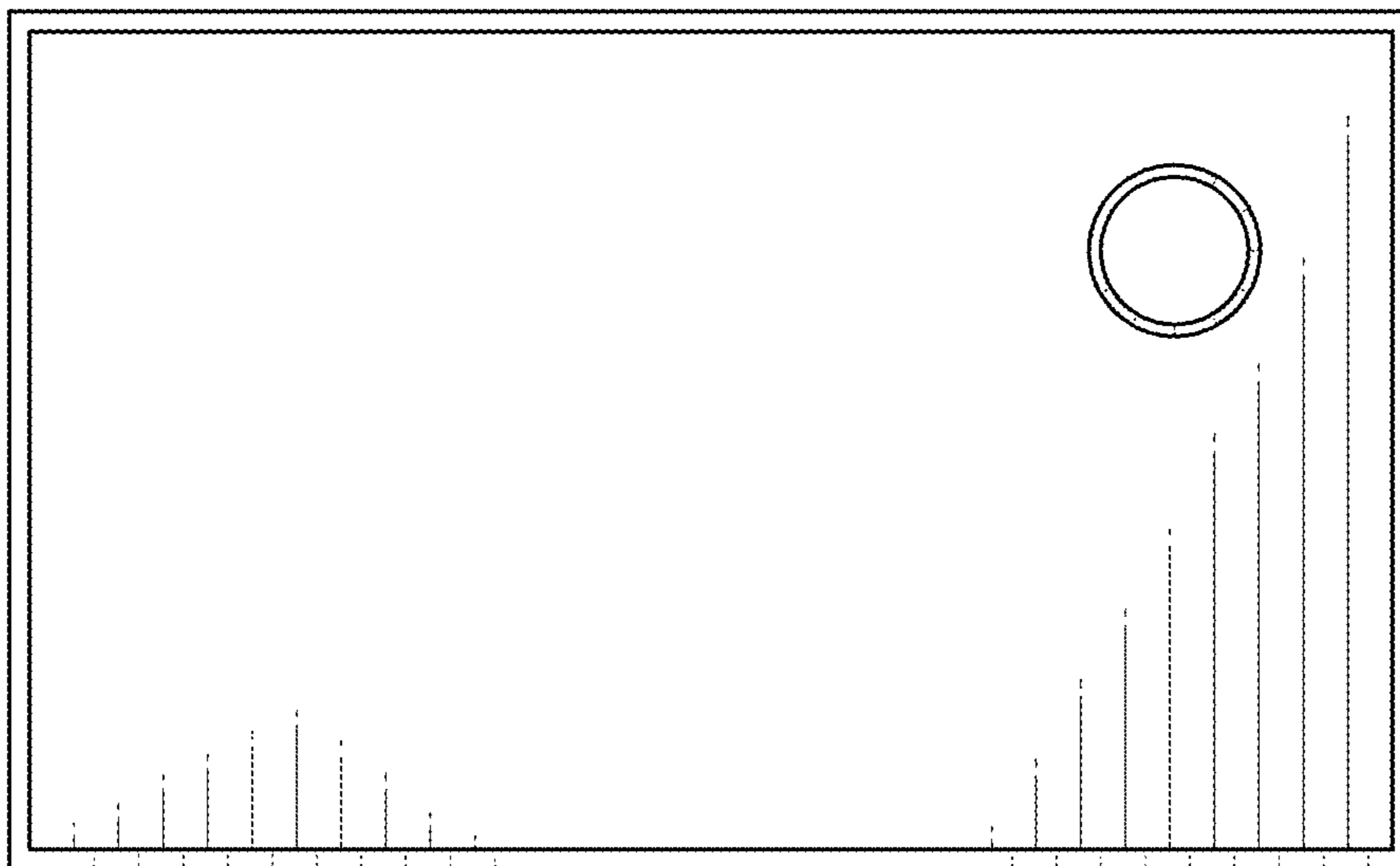


FIG. 2

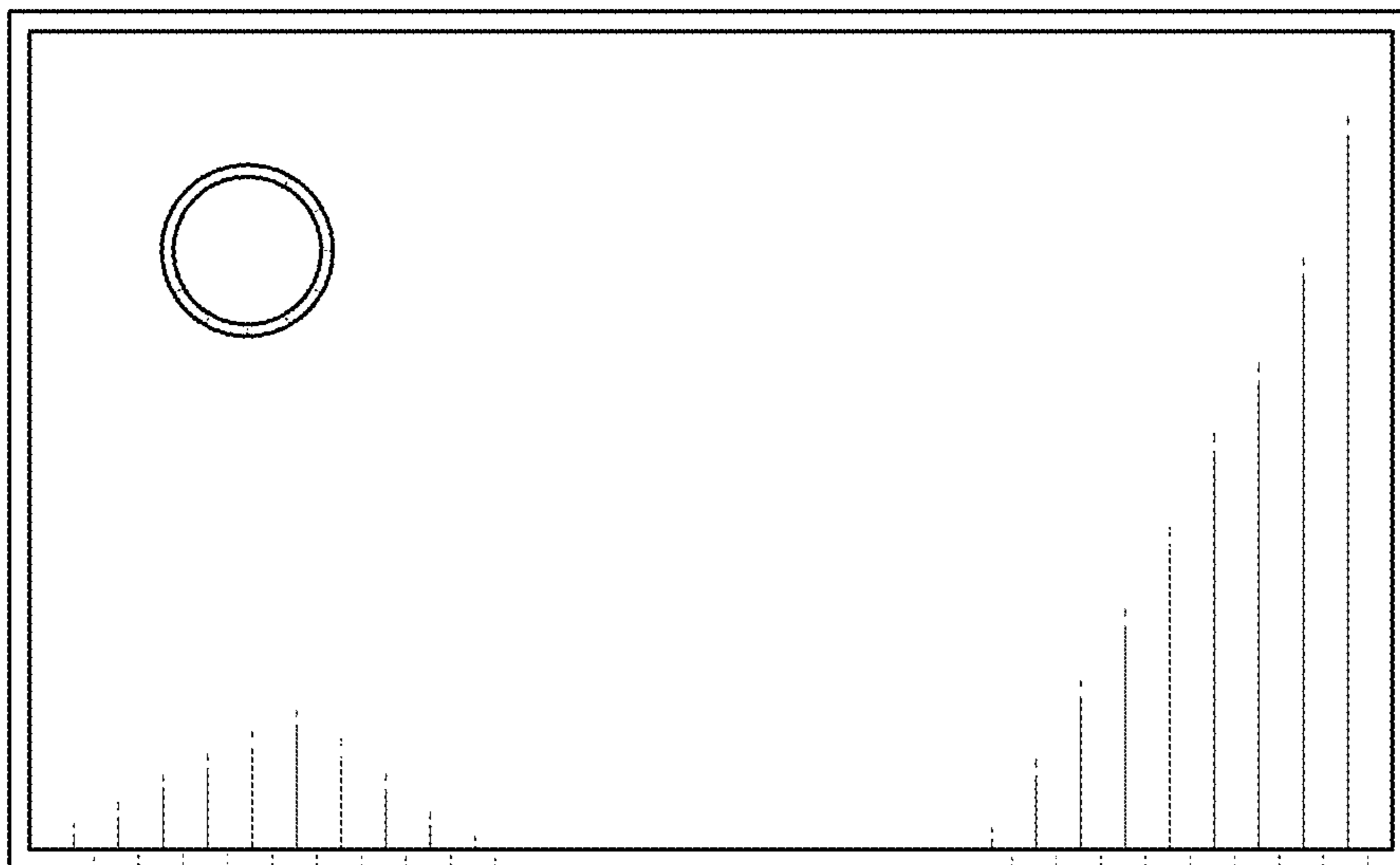


FIG. 3

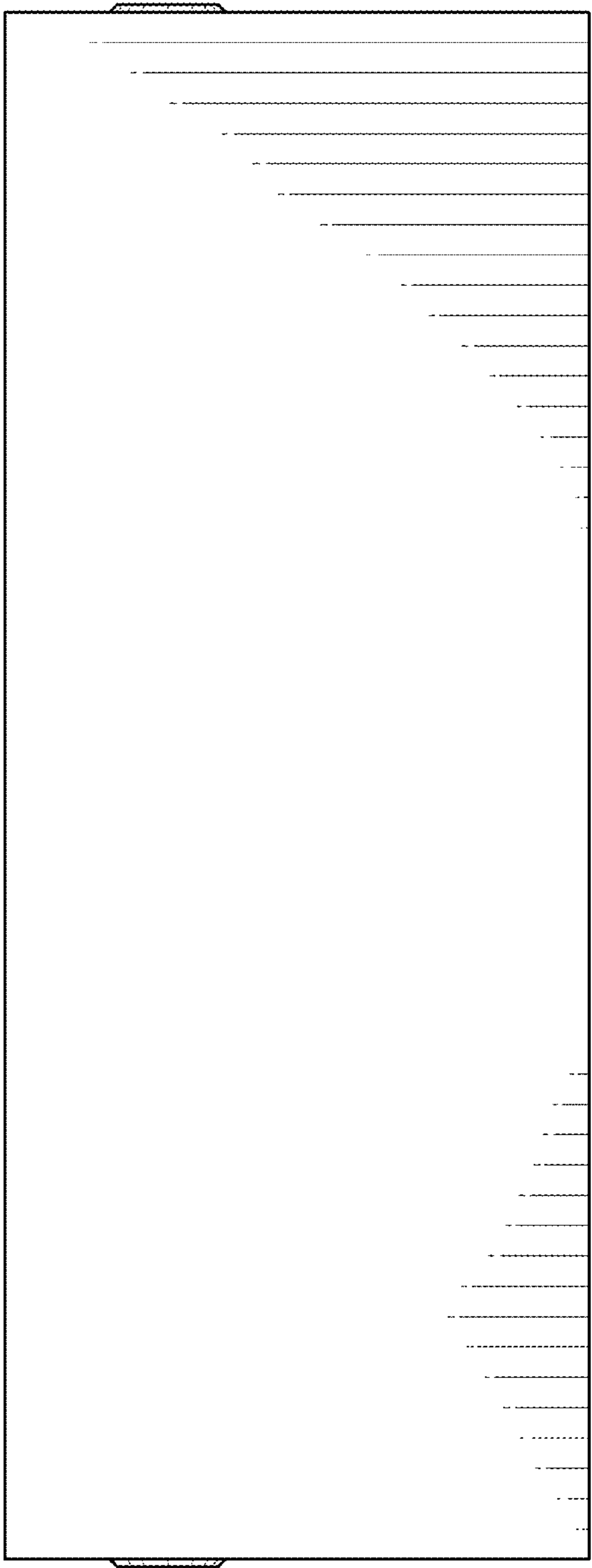


FIG. 4

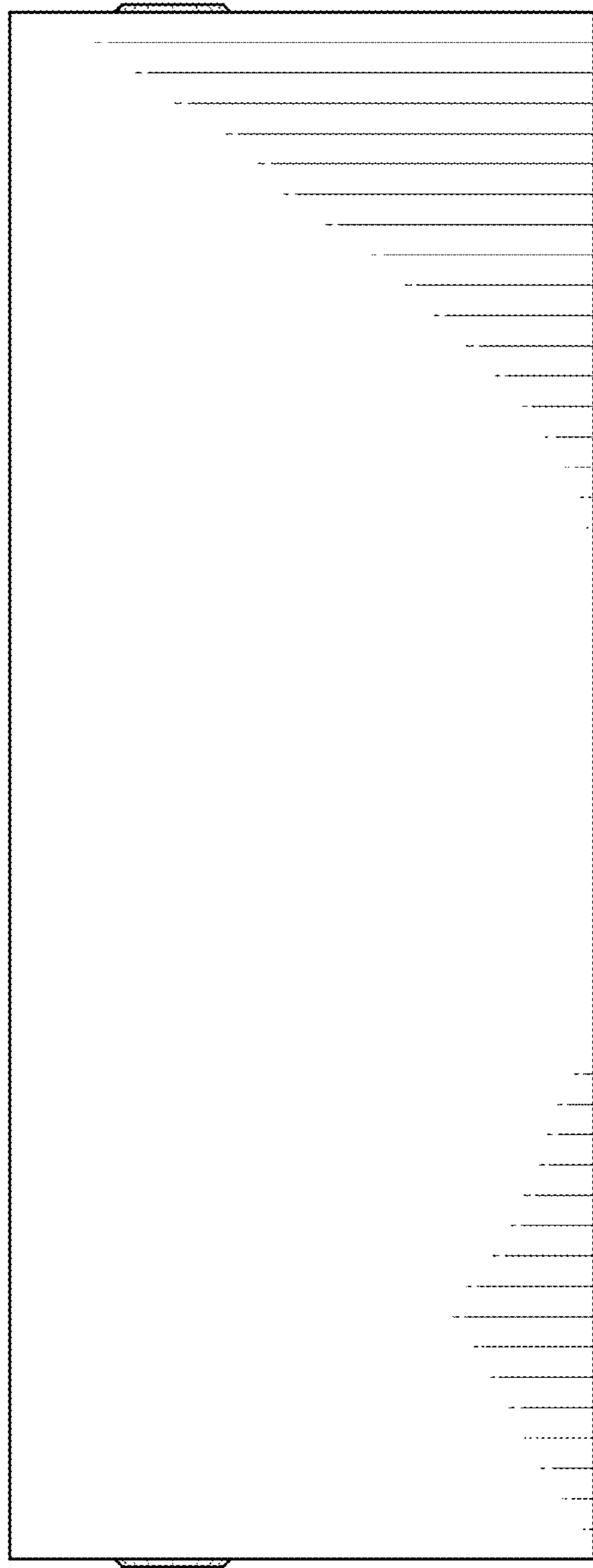


FIG. 5



FIG. 6



FIG. 7