



US00D918035S

(12) **United States Design Patent**  
**Stevenson et al.**

(10) **Patent No.:** **US D918,035 S**

(45) **Date of Patent:** **\*\* May 4, 2021**

- (54) **CLAMSHELL CONTAINER**
- (71) Applicant: **F.D.S. Manufacturing Company**,  
Pomona, CA (US)
- (72) Inventors: **Robert Brian Stevenson**, Claremont,  
CA (US); **Michael Cecil Francis**  
**Newman**, Ontario, CA (US)
- (73) Assignee: **F.D.S. Manufacturing Company**,  
Pomona, CA (US)
- (\*\*) Term: **15 Years**
- (21) Appl. No.: **29/713,549**
- (22) Filed: **Nov. 16, 2019**
- (51) **LOC (13) Cl.** ..... **09-03**
- (52) **U.S. Cl.**  
USPC ..... **D9/431; D9/423; D9/433**
- (58) **Field of Classification Search**  
USPC ..... D9/414-423, 424-429, 430-433, 434,  
D9/456, 457, 711, 713, 721-722, 737,  
D9/756, 758, 759, 760; D3/272-274;  
D20/10, 22, 27, 40, 42  
CPC ... B65D 5/00; B65D 5/02; B65D 5/18; B65D  
5/20  
See application file for complete search history.

(56) **References Cited**

**U.S. PATENT DOCUMENTS**

- D134,114 S \* 10/1942 Goshorn ..... D9/457
- 5,332,147 A \* 7/1994 Sorenson ..... B65D 5/6626  
229/114
- 7,874,476 B2 \* 1/2011 D'Amato ..... B65D 5/302  
229/122.34
- D658,979 S \* 5/2012 Gordon ..... D9/418
- D682,086 S \* 5/2013 Riley ..... D9/418
- 8,490,808 B1 \* 7/2013 Snyder ..... B65D 5/667  
220/4.22
- D695,608 S \* 12/2013 Pusta ..... D9/431

- 8,820,617 B2 \* 9/2014 Silverstein ..... B65D 5/4229  
229/102
- D753,994 S \* 4/2016 Pantelleria ..... D9/432
- D762,468 S \* 8/2016 Pantelleria ..... D9/423
- D764,280 S \* 8/2016 Carnu ..... D9/431
- 9,540,135 B2 \* 1/2017 Robertson ..... B65D 5/0085

(Continued)

**OTHER PUBLICATIONS**

Novolex Introduces EcoCraft Fresh & Crispy Containers to Keep Fried Foods Warm and Crunchy. [online] Published Sep. 25, 2019. Retrieved from URL: <https://www.restaurantnews.com/novolex-introduces-ecocraft-fresh-crispy-containers-to-keep-fried-foods-warm-and-crispy-092519/>.

(Continued)

*Primary Examiner* — Vy N Koenig

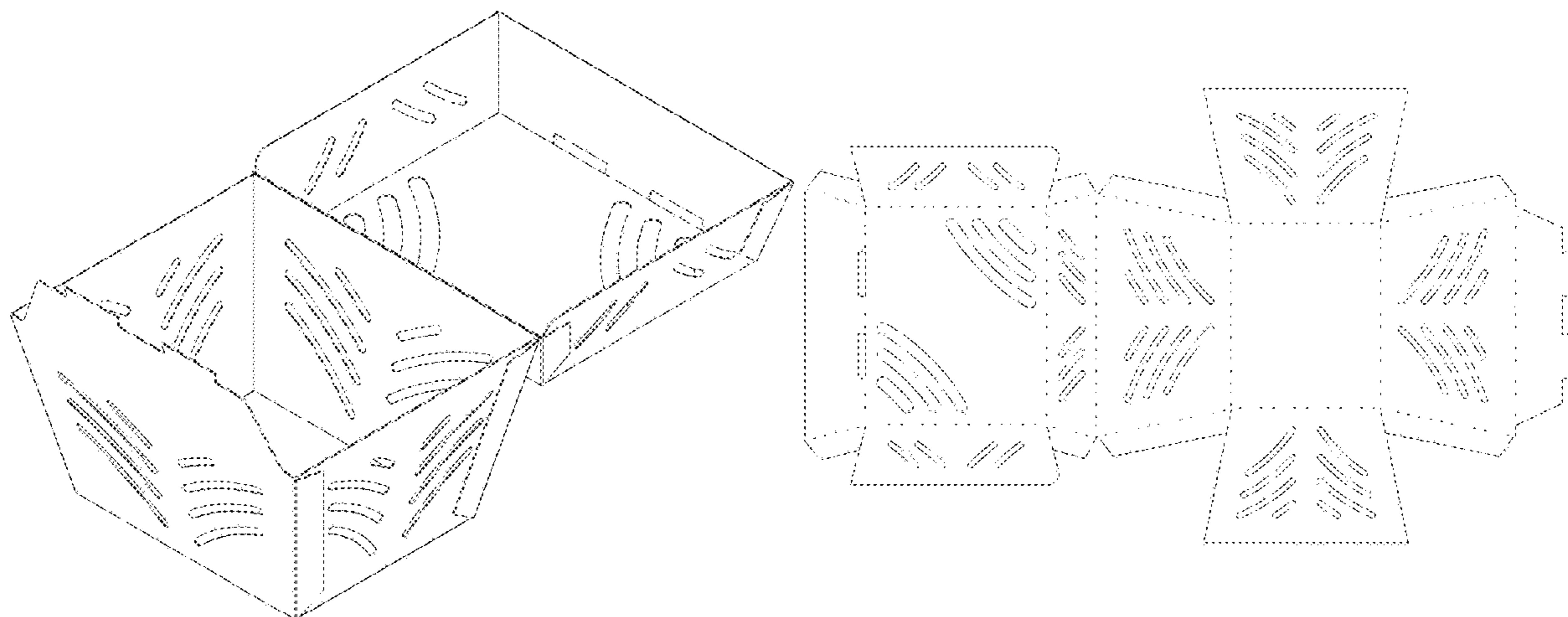
(57) **CLAIM**

The ornamental design for a clamshell container, substantially as shown and described.

**DESCRIPTION**

FIG. 1 is a top view of a clamshell container showing our new design in an open configuration; FIG. 2 is a left side view thereof in the open configuration; FIG. 3 is a right side view thereof in the open configuration; FIG. 4 is a front view thereof in the open configuration; FIG. 5 is a rear view thereof in the open configuration; FIG. 6 is top perspective view thereof in the open configuration; FIG. 7 is top view thereof in a closed configuration; FIG. 8 is a perspective view thereof in the closed configuration; and, FIG. 9 is a plan view of the clamshell container showing the clamshell container in a blank configuration. In the Figures, the dash-dash broken lines are for the purpose of illustrating perforations that form part of the claimed design.

**1 Claim, 9 Drawing Sheets**



(56)

**References Cited**

U.S. PATENT DOCUMENTS

D787,321 S \* 5/2017 Pantelleria ..... D9/423  
D798,142 S \* 9/2017 Falcon ..... D9/418  
D881,690 S \* 4/2020 Smalley ..... D9/418  
2007/0108262 A1\* 5/2007 D'Amato ..... B65D 5/667  
229/146

OTHER PUBLICATIONS

Markon Launches Fully Recyclable Cardboard Clamshells for Strawberries. [online] Published Oct. 9, 2020. Retrieved from URL: <https://www.perishablenews.com/produce/markon-launches-fully-recyclable-cardboard-clamshells-for-strawberries/>.\*

\* cited by examiner

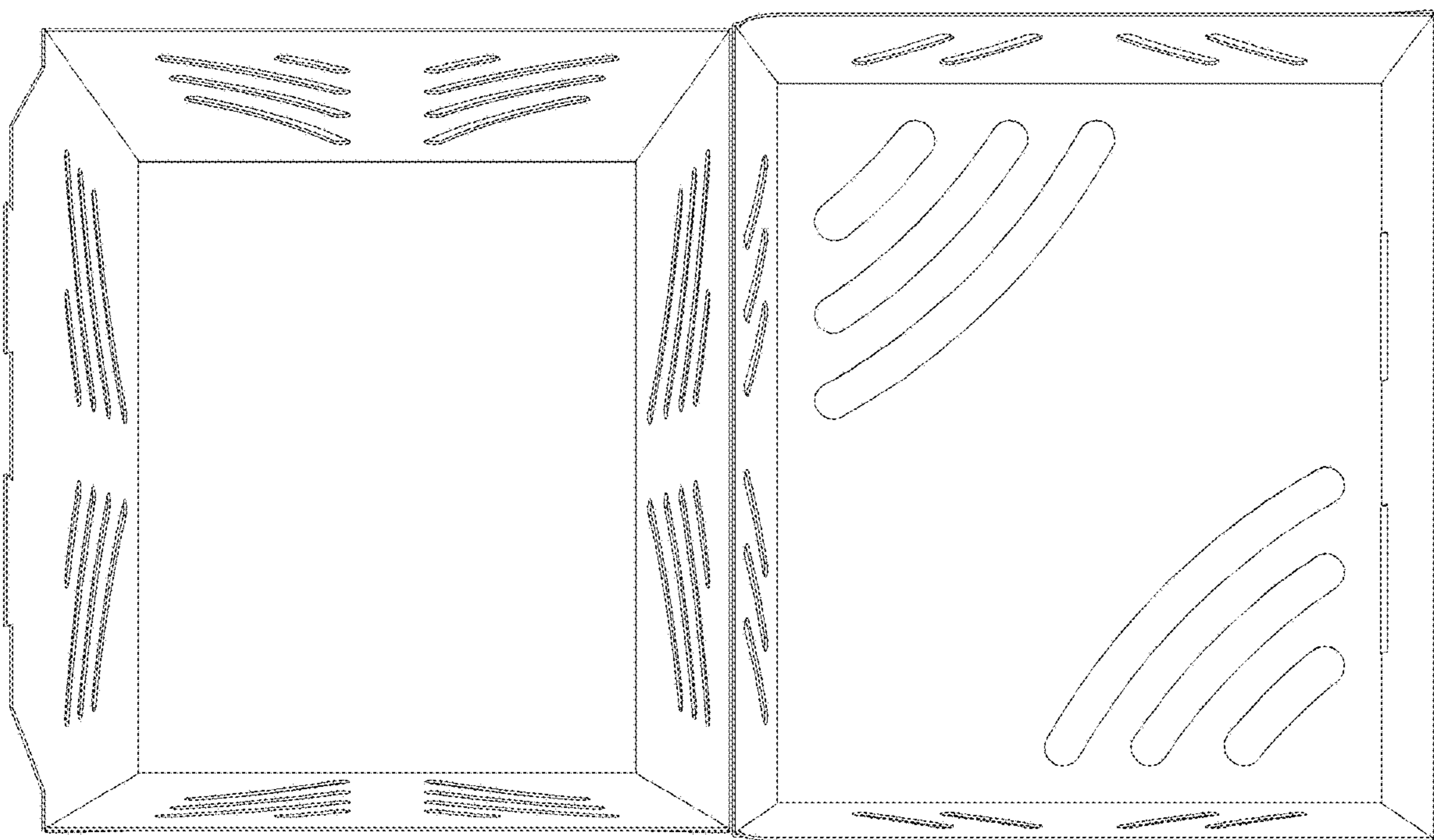


FIG. 1

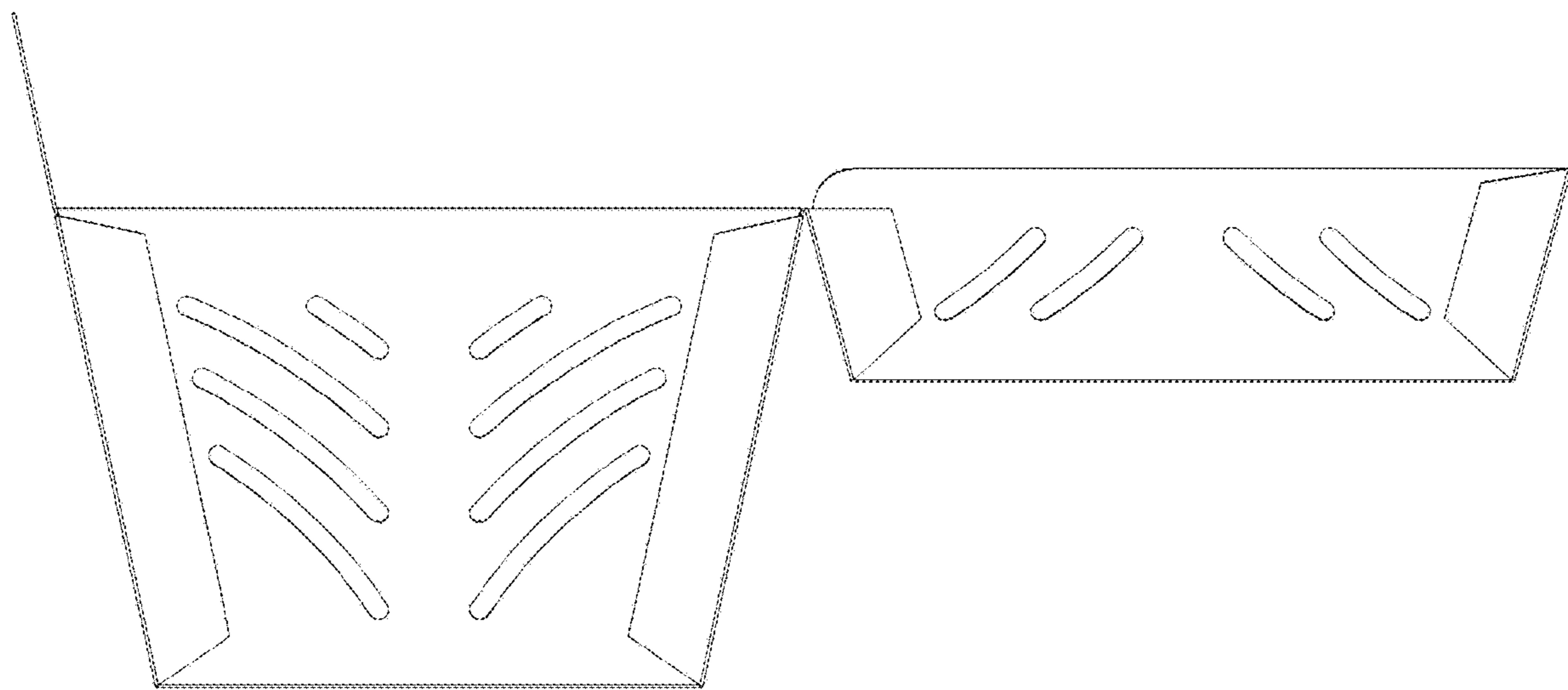


FIG. 2

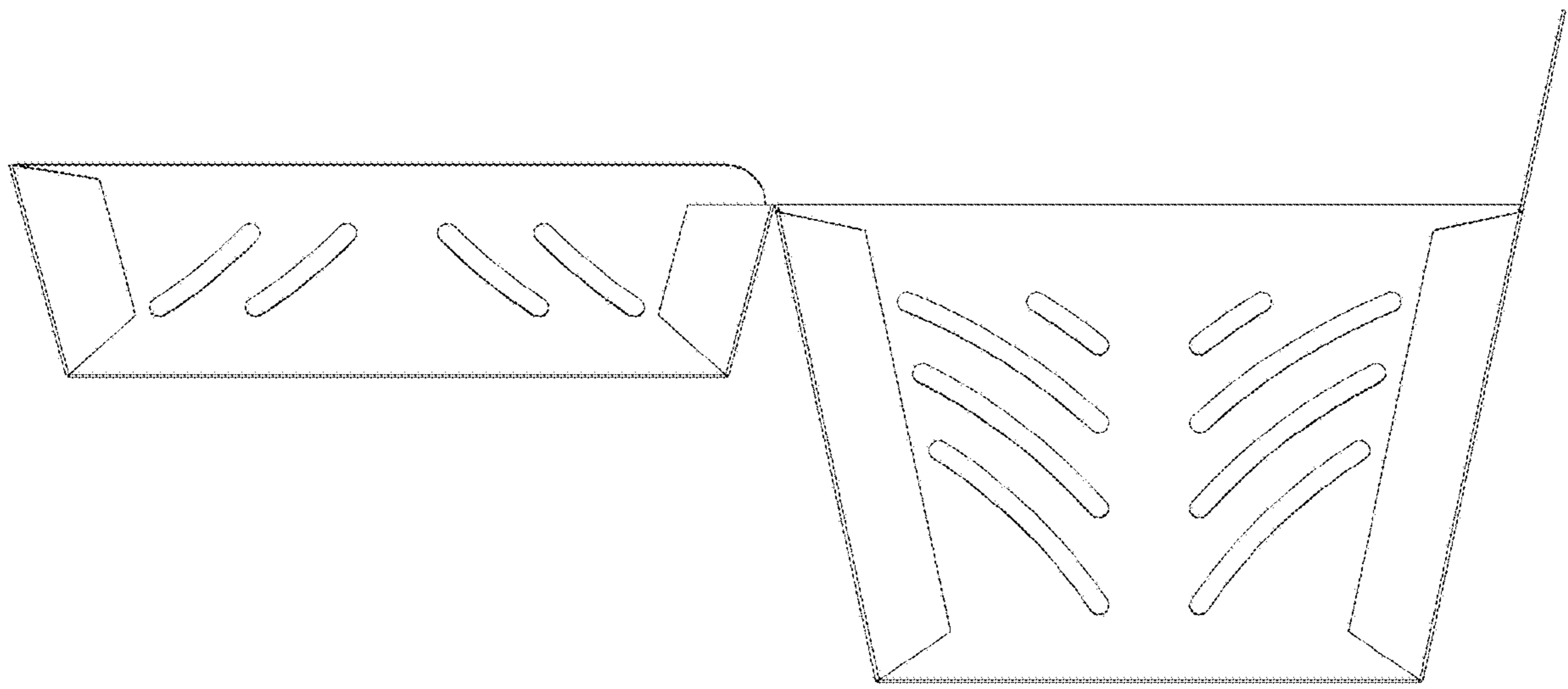


FIG. 3

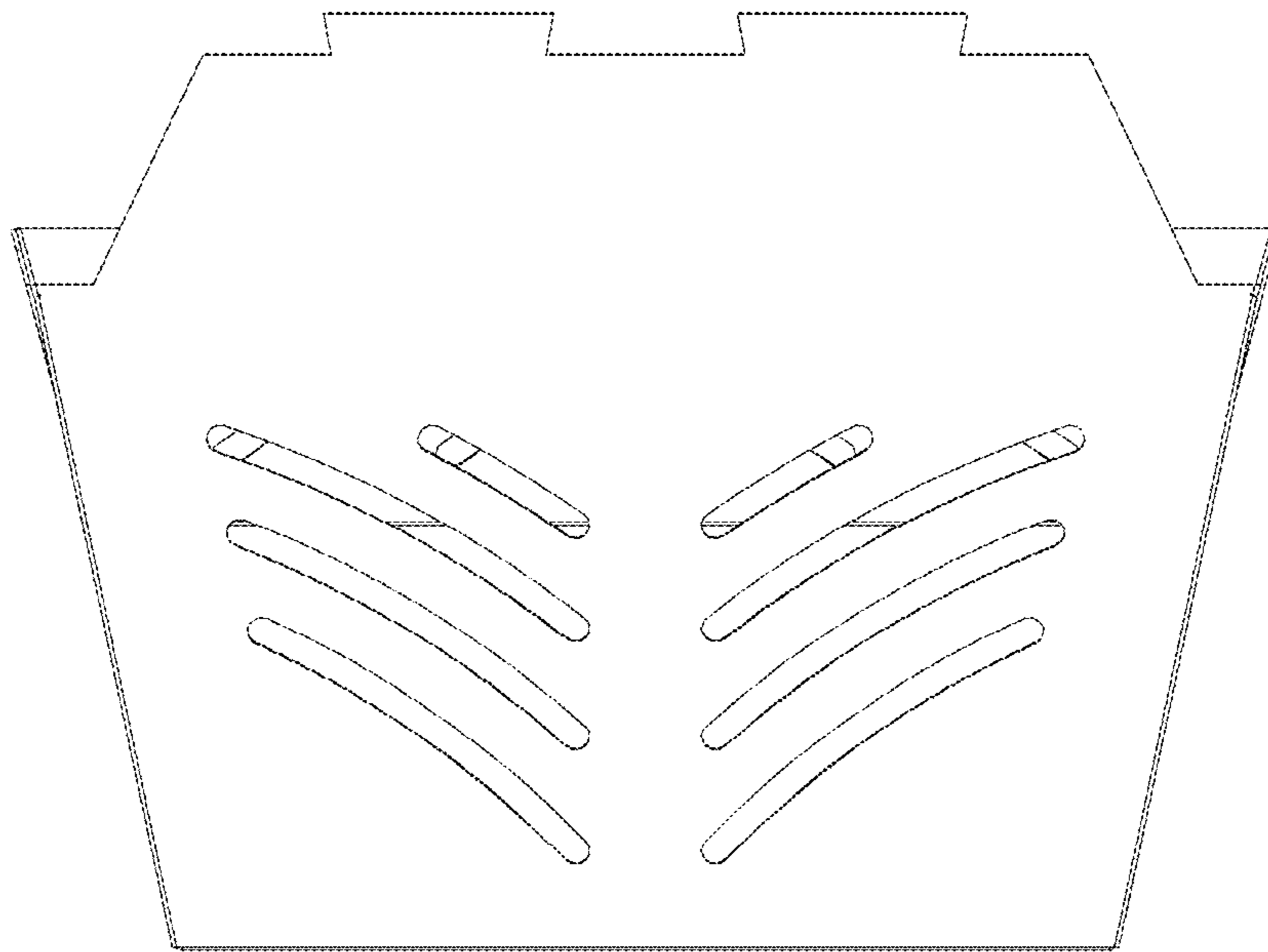


FIG. 4

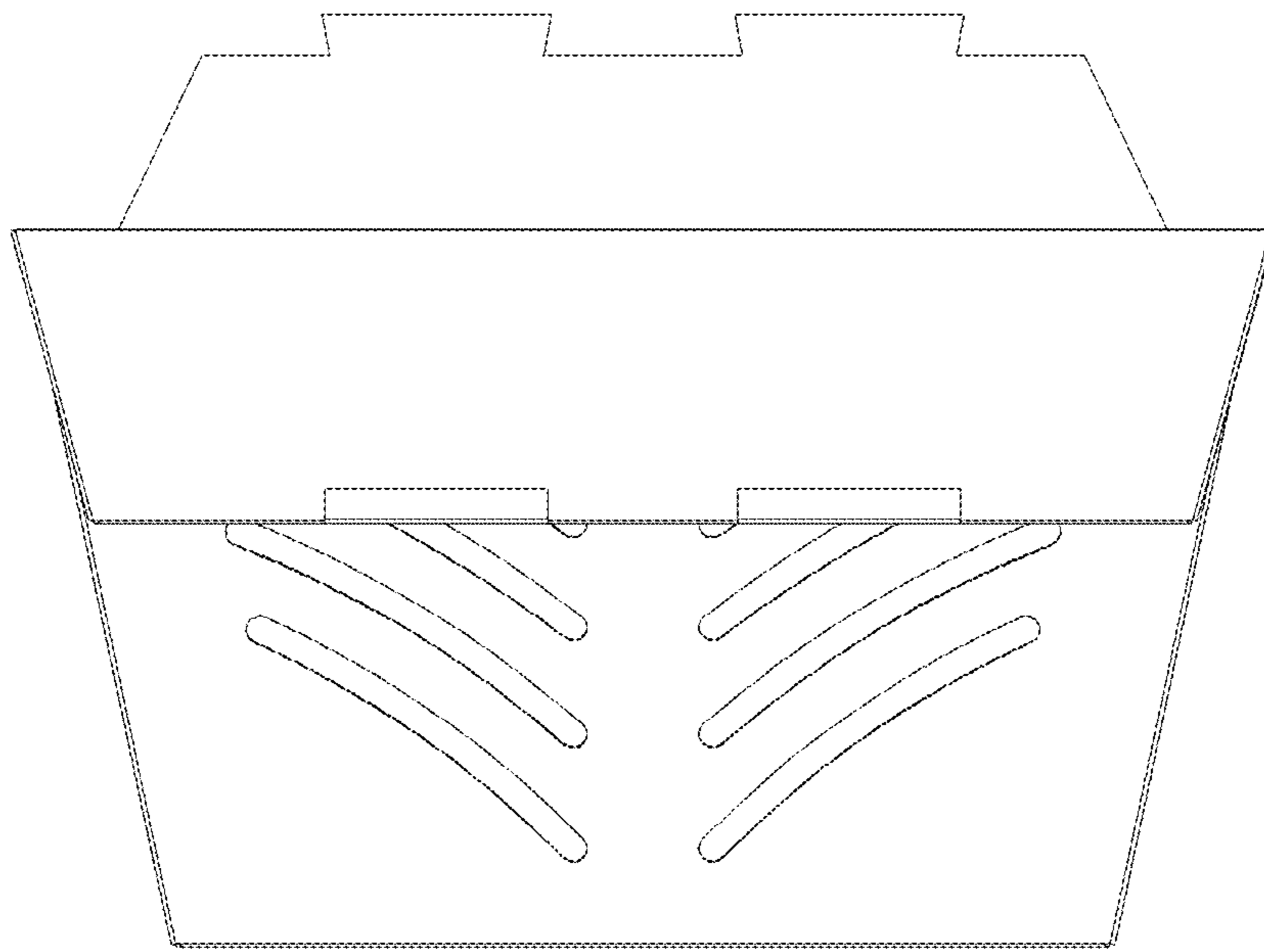


FIG. 5

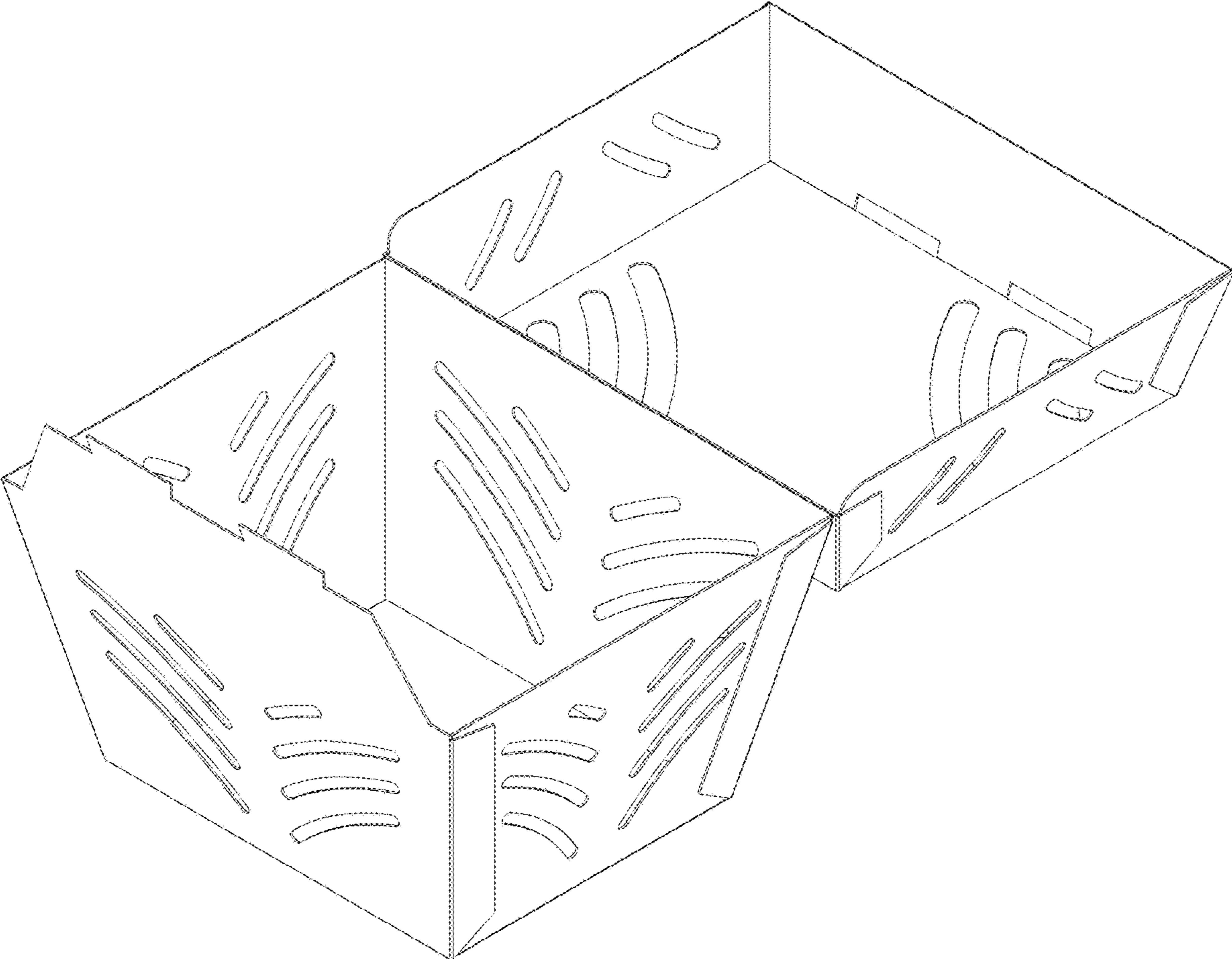


FIG. 6



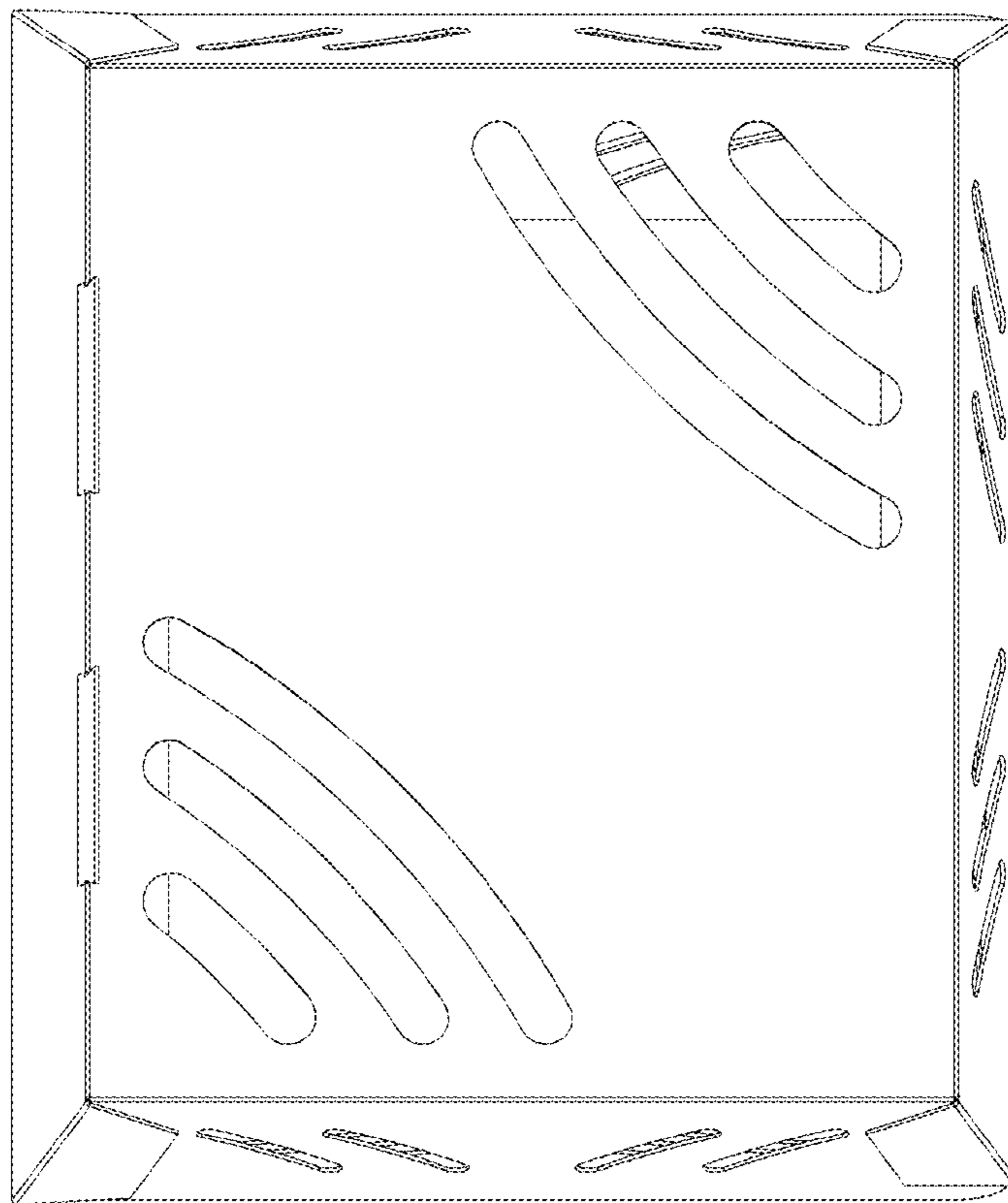


FIG. 7

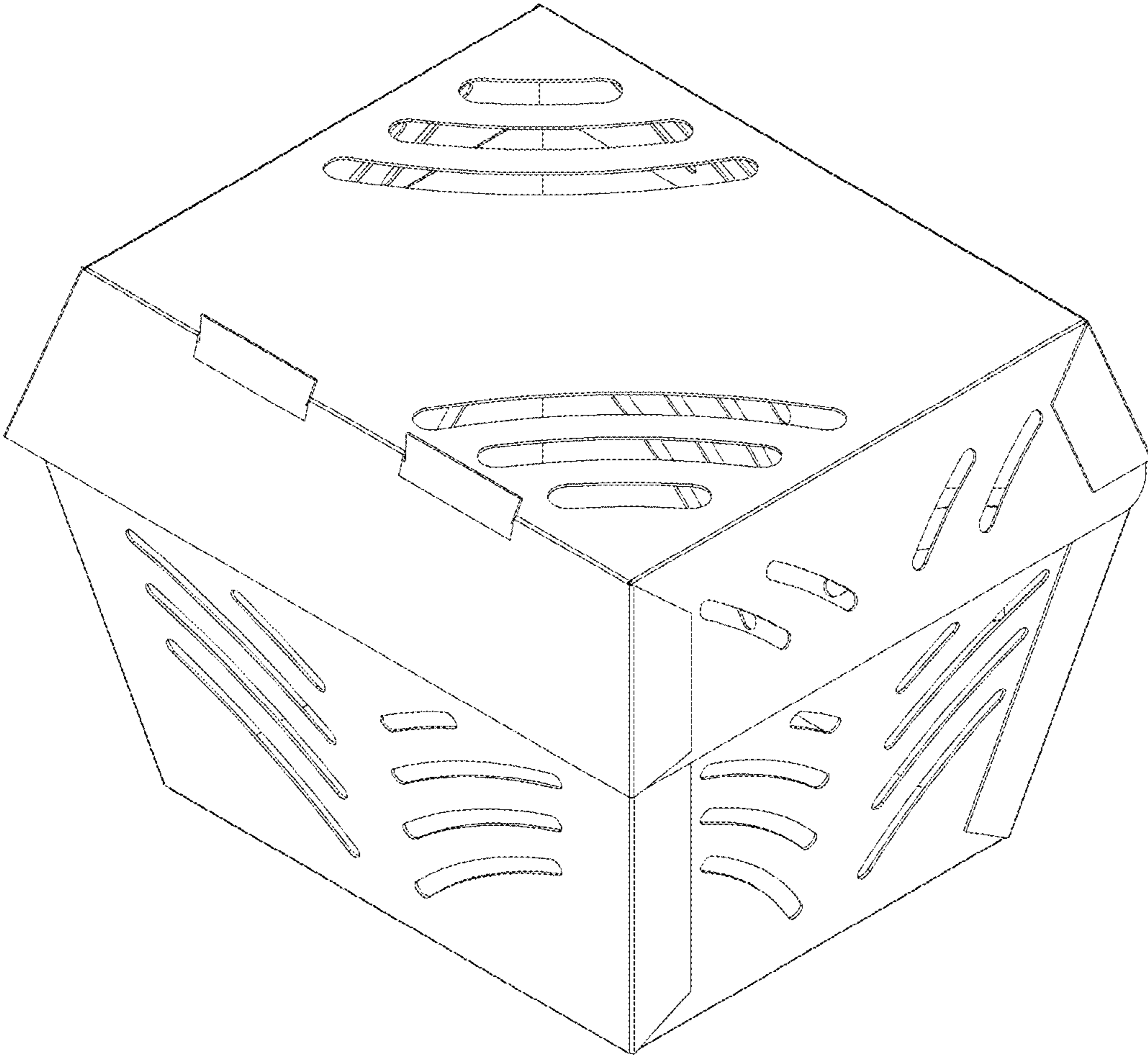


FIG. 8

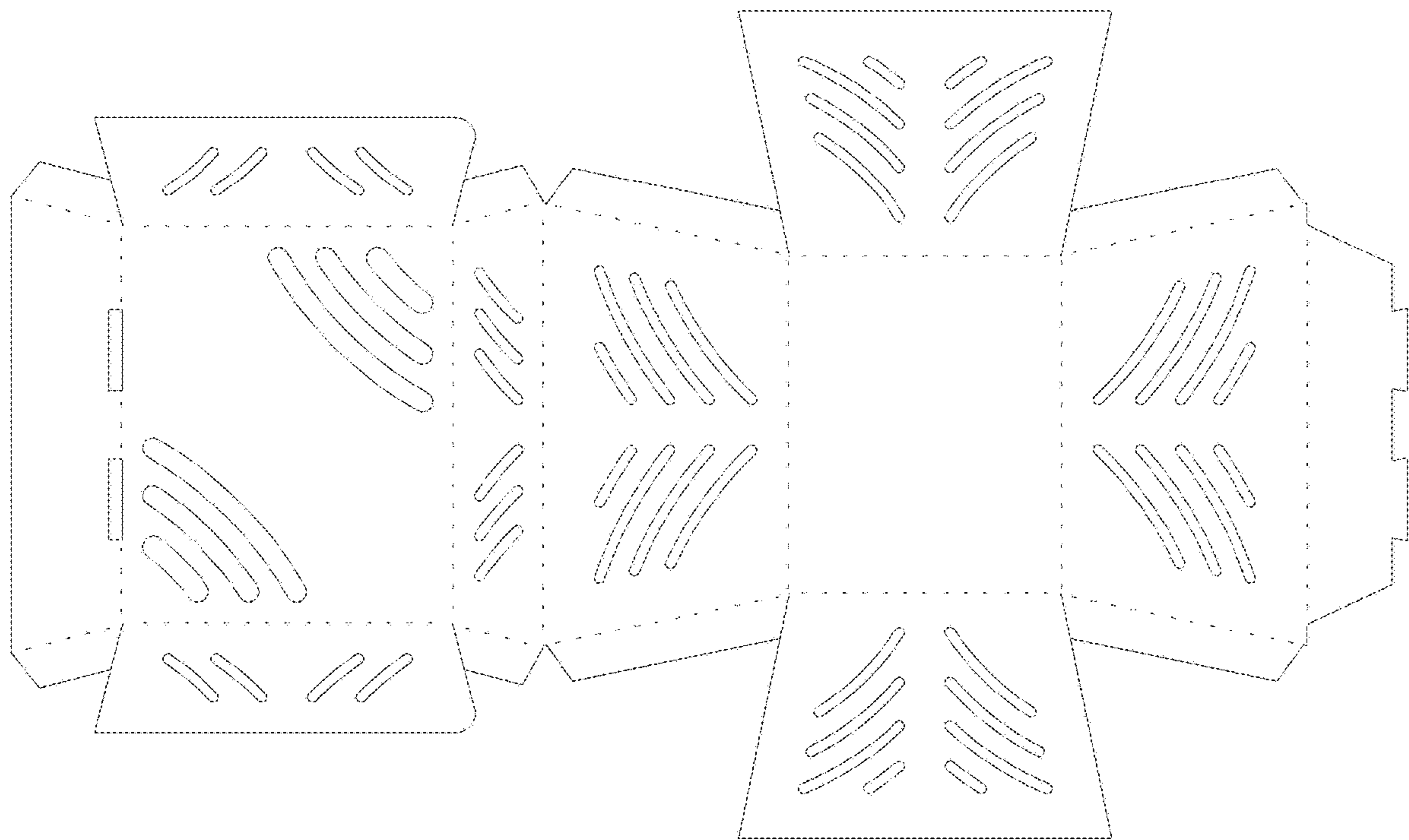


FIG. 9